

MEGAPIX PANO

Panoramic View IP Cameras

DWC-PVF5M1TIRC6 - 64GB Storage

DWC-PVF5M1TIRC1 - 128GB Storage



Default Login Information

Username: **admin** Password: **admin**

WHAT'S IN THE BOX

Item	Quantity	Description	Image	Quantity
QSG Manual	1 Set	Mount Bolt & Nut - 2pcs		1 Set
Mount Plate	1 Set	Screw & Plastic Anchor - 3pcs		1 Set
Template Sheet	2 Sets	Waterproof Cap		1 Set
Moisture absorber and installation guide	1 Set	Torx Wrench		1 Set

NOTE: Download All Your Support Materials and Tools in One Place

- Go to: <http://www.digital-watchdog.com/support-download/>
- Search your product by entering the part number in the 'Search by Product' search bar. Results for applicable part numbers will populate automatically based on the part number you enter.
- Click 'Search'. All supported materials, including manuals, Quick Start Guides (QSG), software and firmware will appear in the results.

Attention: This document is intended to serve as a quick reference for initial set-up. It is recommended that the user read the entire instruction manual for complete and proper installation and usage.

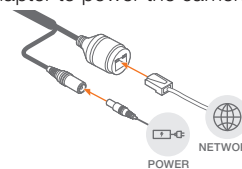
STEP 1 – PREPARING TO MOUNT THE CAMERA

- The mounting surface must bear five times the weight of your camera.
- Do not let the cables get caught in improper places or the electric line cover to be damaged. This may cause a breakdown or fire.
- For the installation process, remove the dome cover and rubber gasket from the camera module by loosening the screw on the side of the dome. Use the wrench provided with the camera.
- Using the mounting template sheet or the camera itself, mark and drill the necessary holes in the wall or ceiling.

STEP 2 – CABLING THE CAMERA TO EXTERNAL DEVICES

- Pass the wires through the mount bracket and make all necessary connections.
 - NETWORK CONNECTIONS** – If you are using a PoE Switch, connect the camera using an Ethernet cable for both data and power.
 - NETWORK CONNECTIONS** – If you are using a non-PoE switch, connect the camera to the switch using an Ethernet cable for data transmission and use a power adapter to power the camera.

Power Requirements	Power Consumption
DC12V POE (IEEE 802.3af Class 3). Adaptor not included.	LED Off: 3.6W, 300mA LED On: 6.5W, 541mA



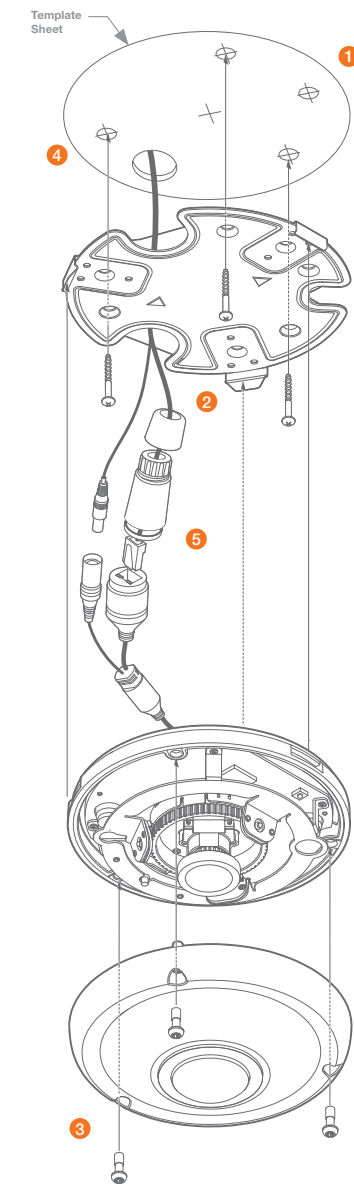
STEP 3 – INSTALLING THE CAMERA

- Once all cables are connected, secure the camera to the mounting surface using the included screws.
- For soft installation surfaces, use the included metal mount plate. Fix the mount plate on the mounting surface using the included screws. Then, press the bottom case onto the mount plate. The three bezels on the case will align and snap lock onto the plate.
- To use the camera's water proof wiring:
 - Install the LAN cable into **a**.
 - b** will be assembled to **a** with a 1/4 turn.
 - Thread **c** tightly to **b**.

NOTE: To ensure moisture seal, make sure the o-ring is in place between **a** and **b**. In extreme environments use of an outdoor rated sealer is recommended.

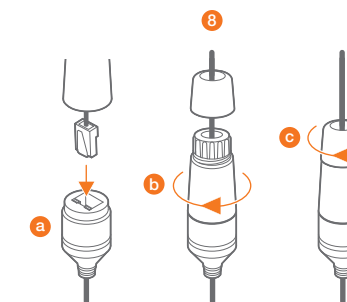
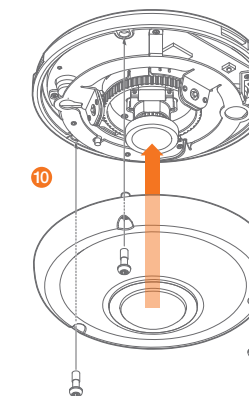
NOTE: When using the waterproof cap, crimp the RJ45 connector after passing the cable through the waterproof cap.

- Re-attach the camera's gasket ring and dome to the camera module by aligning the screw holes.
- The camera includes a sensor at the camera's module. For the sensor to function properly, the camera's dome includes a special hole for the sensor.
- When assembling the camera together, please make sure the sensor hole in the camera's dome is positioned right on top of the sensor on the camera's module.



Soft Surface Installation

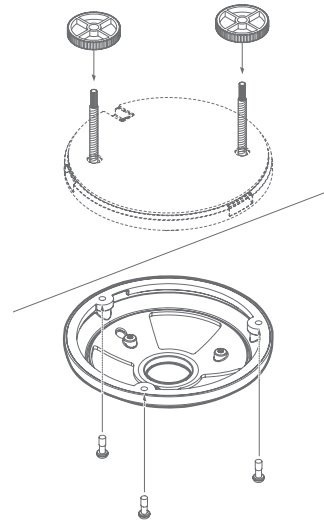
For soft installation surfaces, use the included metal mount plate. Fix the mount plate on the mounting surface using the included screws. Then, press the bottom case onto the mount plate. The three bezels on the case will align and snap lock onto the plate.



STEP 3 – INSTALLING THE CAMERA (CONT.)

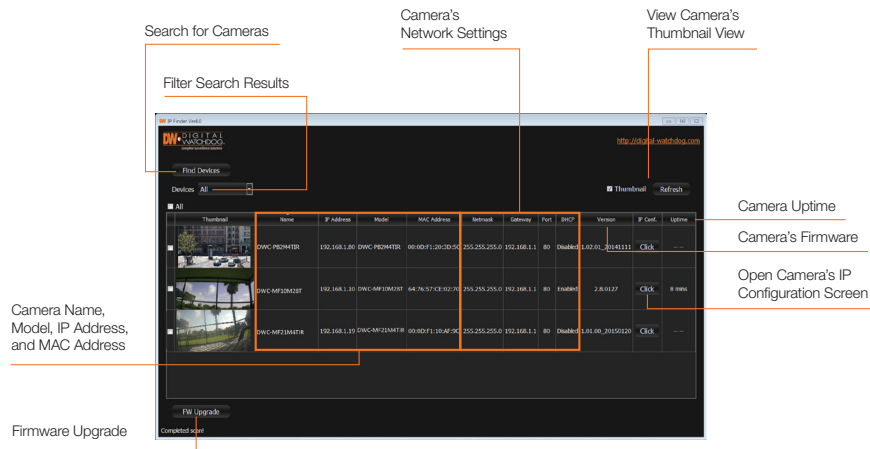
Installation using Mount Bolt and Screws:

- Using the template sheet, make and drill the cabling holes on the wall/ceiling.
- Secure the two long mounting screws to the camera's base.
- Pass the wires through the mount bracket and make all necessary connections.
- Mount the camera to the mounting surface by using the 2 mounting nuts. Rotate the locking discs over the screws until the camera is held tightly from the mounting surface.
- Secure the camera's cover dome onto the camera base to complete the installation.



STEP 5 – DW IP FINDER™

Use the DW IP Finder™ software to scan the network and detect all MEGApix® cameras, set the camera's network settings or access the camera's web client.



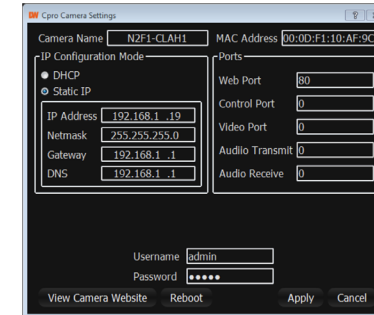
Network Setup

- Go to: <http://www.digital-watchdog.com>
- Search for 'IP Finder' on the quick search bar at the top of the page.
- The latest IP Finder software will appear in the search results. Click on the link to download the file to your computer.
- The software will scan your network for all supported cameras and display the results in the table. Allow up to 5 seconds for the IP Finder to find the camera on the network.
- Select a camera from the list by double-clicking on the camera's image or clicking on the 'Click' button under the IP Conf. column. The camera's network information will appear. If necessary, you can adjust the camera's network type.

- i** Select DHCP if the internet service is dynamic IP. This will allow the camera to receive its IP address from the DHCP server.
- i** Select STATIC to manually enter the camera's IP address, subnet mask, Gateway and DNS information.
- i** Contact your network administrator for more information.

- The camera's default network information is:

- i** Default TCP/IP information
 - IP: DHCP



- To view the camera's web viewer, click on 'View Camera Website'.

- i** 'Port Forwarding' has to be set in your network's router for external access to the camera.

- To save the changes made to the camera's settings, input the ID and PW of the camera for authentication and click 'Save'.
- If the camera needs to be rebooted after the settings were changed, press the 'Reboot' button. The camera will cycle power and will appear back in the search results once the reboot is complete.

- i** Default ID / PW : admin / admin

STEP 5 – WEB VIEWER

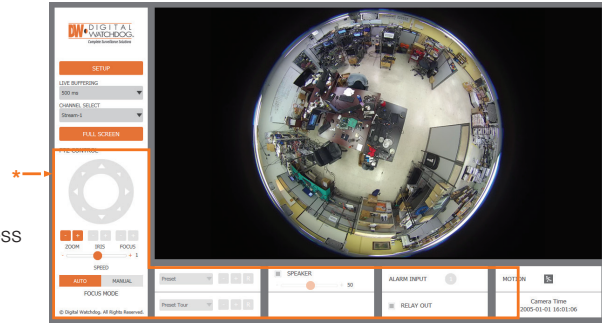
Once the camera's network settings have been setup properly, you can access the camera's web viewer using the DW IP Finder™.

To open the camera's web viewer:

- Find the camera using the DW IP Finder™.
- Double-click on the camera's view in the results table.
- Press the 'View Camera Website'. The camera's web viewer will open up in your default web browser.
- Enter the camera's username and password (default are admin / admin).
- If you are accessing the camera for the first time, install the VLC player for web files in order to view video from the camera.

*** NOTE:** Some Menu options may not be available based on the camera model. See the full manual for more information.

*** NOTE:** Please see the full product manual for web viewer setup, functions and camera settings options.



The GUI display may differ by camera models.

STEP 6 – SETUP DW SPECTRUM® CAAS™ RECORDING

Once the DW Spectrum® CaaS™ Server is properly installed and operating, write down the IP address. You will need this information when accessing the DW Spectrum® CaaS™ Server from the DW Spectrum® IPVMS client.

To complete the DW Spectrum® CaaS™ Server's setup and start recording, launch the DW Spectrum® IPVMS client on the same network as the cameras. Once the DW Spectrum® CaaS™ Server is detected by the client, go to the recording setup menu to setup a recording schedule and start monitoring the DW Spectrum® CaaS™ Server.

Refer to the DW Spectrum® CaaS™ QSG for additional information.

*** NOTE:** DW Spectrum® CaaS™ Servers are running DW Spectrum® IPVMS v3.1 lite server.