

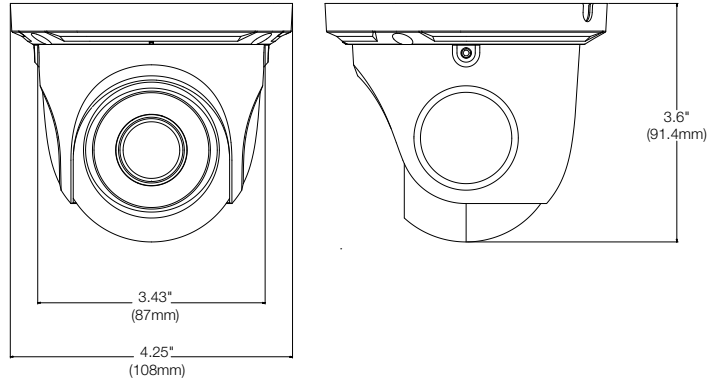


UNIVERSAL HD COAX
+ UTC

5MP at 20fps Universal HD / Analog **30fps** at 4MP Resolution Digital WDR IP66 Rated **5 YEAR** Warranty

Dimensions

unit: Inch (mm)



Summary

Universal HD over Coax[®] 5MP cameras deliver crystal-clear images and support HD-Analog, HD-TVI and HD-CVI signals and analog signals up to 960H. The weather resistant turret cameras are IP66 rated and can be controlled via the same coax cable using UTC. All DW[®] HD over Coax[™] cameras are engineered to work with our VMAX[®] A1 Plus[™] HD over Coax[™] DVRs using your existing coax infrastructure for a cost effective, high resolution surveillance solution.

Features

- Universal HD over Coax[®] Technology supports HD-Analog, HD-TVI, HD-CVI and all analog to 960H signals
- 5MP 1/2.7" image sensor at 20fps / 4MP at real-time 30fps
- 2.8mm fixed lens
- Digital Wide Dynamic Range (D-WDR)
- OSD control via Coaxial (UTC)
- 100' range IR
- 3D digital noise reduction
- True day/night with mechanical IR cut filter
- Auto gain control (AGC)
- Backlight compensation (BLC)
- Auto white balance (AWB)
- IP66 certified weather and tamper resistant
- 5 year warranty

Specifications

| IMAGE | |
|----------------------------------|---|
| Image sensor | 5MP 1/2.7" CMOS sensor |
| Active pixels | 2592(H) x 1944(V) |
| Scanning system | CMOS line-by-line |
| Frequency | 60Hz/50Hz |
| Signal technology | Universal HD over Coax [®] Technology supports HD-Analog, HD-TVI, HD-CVI and all analog to 960H signal |
| Resolution | 5MP: 2560 x 1936 @ 20fps 4MP: 2560 x 1440 @ 30fps |
| Minimum scene illumination | 0.01 lux (color) 0 lux (B&W) |
| Video output | HD-Analog, HD-TVI and HD-CVI 5MP at 20fps, 4MP at 30fps Analog up to 960H at 30fps |
| LENS | |
| Focal length | 2.8mm, F1.2 |
| Lens type | Fixed lens |
| Field of view (FoV) | 91° |
| IR distance | 100ft range |
| OPERATIONAL | |
| Shutter mode | Auto, manual |
| Shutter speed | 1 / 60s ~ 1 / 100000s |
| Backlight (BLC) | Yes |
| Wide Dynamic Range (WDR) | D-WDR |
| 3D digital noise reduction | Digital noise reduction |
| White balance | Yes |
| Day / night | True day/night |
| Mirror / flip | Yes |
| Auto gain control | Auto |
| Sharpness | Yes |
| Up the Coax (UTC) camera control | UTC camera control |
| ENVIRONMENTAL | |
| Operating temperature | -22°F ~ 122°F (-30°C ~ 50°C) |
| Operating humidity | 10% ~ 90% humidity |
| IP rating | IP66 certified weather and tamper resistant |
| Other certifications | CE, FCC, RoHS |
| ELECTRICAL | |
| Power requirements | DC12V |
| Power consumption | IR ON : < 4W IR OFF : < 1W |
| MECHANICAL | |
| Material | Metal turret housing |
| Dimensions | 3.6" x 4.25" inch (91.4 x 108mm) |
| Weight | 0.94 lb (0.427kg) |

Accessories (Optional)



DWC-MTTWM
Wall mount



DWC-MTTCMJ
Ceiling mount and
junction box



DWC-MTTJUNC
Junction box