

Snapit

Vandal-Proof Dome Camera

DWC-V4363D/ V4363DB

DWC-V4363TIR/ V4363TIRB

DWC-V4363DH



ABOUT MANUAL

Before installing and using the camera, please read this manual carefully.
Be sure to keep it handy for future reference.



PRECAUTIONS

- Do not open or modify.
- Do not open the case except during maintenance and installation, for it may be dangerous and can cause damages.
- Do not put objects into the unit.
- Keep metal objects and flammable substances from entering the camera.
It can cause fire, short-circuits, or other damages.
- Be careful when handling the unit.
- To prevent damages, do not drop the camera or subject it to shock or vibration.
- Do not install near electric or magnetic fields.
- Protect from humidity and dust.
- Protect from high temperature.
- Be careful when installing near the ceiling of kitchen or a boiler room, as the temperature may rise to high levels.
- Cleaning:
To remove dirt from the case, moisten a soft cloth with a soft detergent solution and wipe.
- Mounting Surface:
The material of the mounting surface must be strong enough to support the camera.

FCC COMPLIANCE

This equipment has been tested and found to comply with the limits for a Class B digital device, pursuant to part 15 of the FCC rules. These limits are designed to provide reasonable protection against harmful interference, when the equipment is operated in a residential environment. This equipment generates, uses, and radiates radio frequency energy; and if it is not installed and used in accordance with the instruction manual, it may cause harmful interference to radio communications.

WARNING: Changes or modifications are not expressly approved by the manufacturer.

TABLE OF CONTENTS

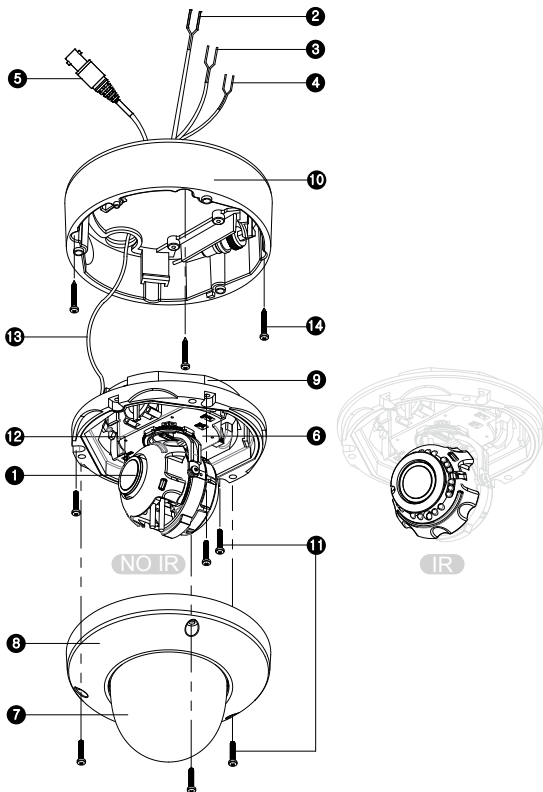
Introduction	Features	4
	Parts and Descriptions	5
	Dimensions	6
Installation	Inside the Box	7
	Mount Installation Instructions	8-13
	Connecting to Monitors	14-15
	Adjusting the Camera Lens	16
	Adjusting the 3-Axis Gimbal	17
Module OSD Menu		18-29
Troubleshooting		30
Warranty Information		31-32
Specifications		33-36

FEATURES*

- 1/3" CCD
- 620 TV Lines (B&W), 600 TV Lines (Color)
- 3.3~12mm Varifocal Auto Iris Lens
- 70ft Range IR with Intelligent Camera Sync **[DWC-V4363TIR Only]**
- Electronic Day and Night **[DWC-V4363D & DWC-V4363DH]**
- TDN (True Day and Night / IR Cut Filter) **[DWC-V4363TIR Only]**
- Smart DNR (Digital Noise Reduction)
- DRC (Dynamic Range Compressor)
- Star-Light (Super Low Light Technology)
- HME (Highlight Masking Exposure)
- Programmable Privacy Zones & Motion Detection
- Easy Icon Driven OSD Menu with Built-In Joystick
- IP68 Certified
- Heater Built-in **[DWC-V4363DH Only]**
- Junction Box Included
- UTP & RS485 Built-In
- Auto Sensing 12VDC or 24VAC with Line Lock
- Secondary Video-BNC Output

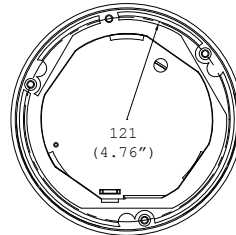
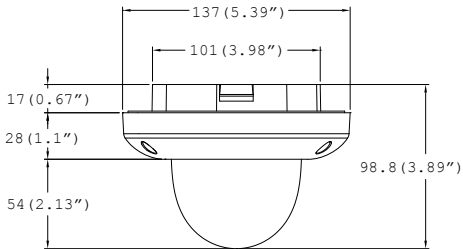
PART & DESCRIPTIONS*

- ❶ Lens
- ❷ Power Input Connector (Dual Voltage)
- ❸ UTP
- ❹ RS-485
- ❺ Primary Video-BNC Output Connector
- ❻ Camera Control Board
- ❼ Bubble Dome Cover
- ❽ Upper Case
- ❾ Flush Mount Base
- ❿ Surface Mount Base / Junction Box
- ⓫ Assembly Screws (#8 - 32 x 0.75)
- ⓬ Secondary Video-BNC Output Connector
- ⓭ Safety Wire
- ⓮ Mounting Screws

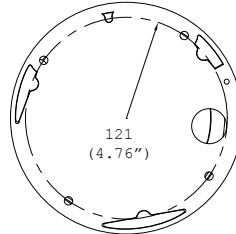
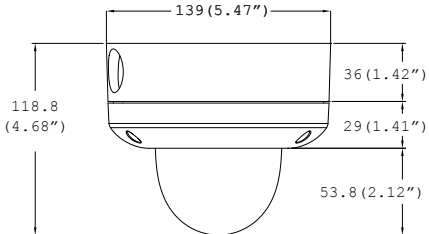


DIMENSIONS IN MILLIMETERS (IN)*

Flush Mount



Surface Mount



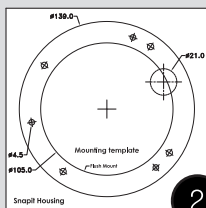
INSIDE THE BOX*

Included with Snapit Vandal Dome Camera

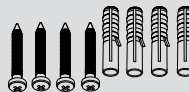
- ❶ User Manual
- ❷ L-Wrench
- ❸ Mounting Template
- ❹ TORX-T20 Bolt
- ❺ 4 Machine Screws and 4 Dry Wall Anchors
- ❻ DC Plug
- ❼ TORX-T20 Wrench
- ❽ Secondary Video-BNC Cable



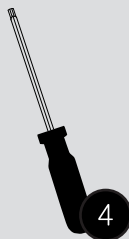
❶



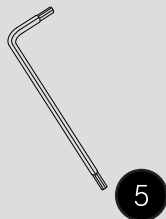
❷



❸



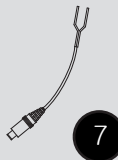
❹



❺



❻



❼



❽

SURFACE MOUNT INSTALLATION INSTRUCTIONS*



- 1 Use the camera's mounting template or your camera to mark the holes as required.



- 2 Drill holes into the drywall and insert the drywall mounts into the holes.



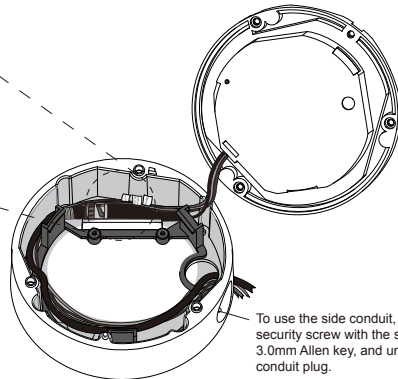
- 3 Pull wires through and make connections.
If you need to keep the wiring within the camera housing, refer to the diagram below.



- 4 Mount the surface mount base (junction box) to the wall.



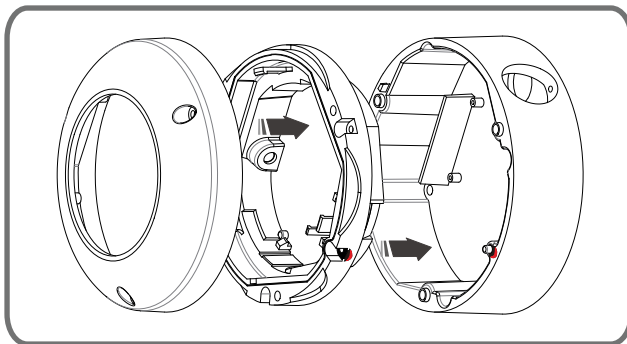
Route wiring behind the inner posts (dark gray area).



To use the side conduit, remove the security screw with the supplied 3.0mm Allen key, and unscrew the conduit plug.



- 5** Snap the camera module onto the base by aligning the red and black markings on the base and the camera module.



- 6** Secure the three (3) assembly screws.



- 7** Adjust the camera's position by using the 3-Axis Gimbal.

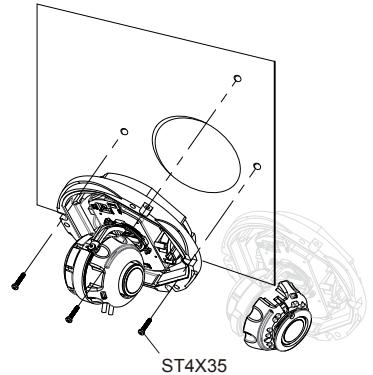


- 8** Tighten the three locking screws in with the L-Wrench to secure the dome cover over the camera.

FLUSH MOUNT INSTALLATION INSTRUCTIONS*

For a flush mount housing, detach the surface mount base, which is also known as the junction box, from the flush mount base.

- 1 Use the mounting template to mark the holes for the screws and a larger hole for the top extruded component of the flush mount base.
- 2 The three assembly screws (ST4X35) fixed to the flush mount base should be used to mount the camera to the surface of the wall or ceiling.



- 3 Secure the three (3) assembly screws.



- 4 Adjust the camera's position by using the 3-Axis Gimbal.



- 5 Tighten the three locking screws in with the L-Wrench to secure the dome cover over the camera.

WALL MOUNT INSTALLATION INSTRUCTIONS*



- 1** Check to see all parts are in the box.



- 2** Insert the wires from the camera through the wall mount housing.



- 3** Use the mounting template to make pilot holes. Use the dry wall anchors and machine screws to attach the assembly.



- 4** Attach the camera's surface mount base (junction box) to the wall mount.



- 5** Connect all cables and snap the camera module onto the base.



- 6** Adjust the camera and secure the dome cover over the camera module.

PENDANT MOUNT INSTALLATION INSTRUCTIONS*



- 1 Check to see all parts are in the box.



- 2 Attach the top shield to the pendant mount.



- 3 Run all necessary cables from the ceiling to the mount.



- 4 Use the mounting template to make pilot holes. Use the dry wall anchors and machine screws to attach the assembly to the wall.

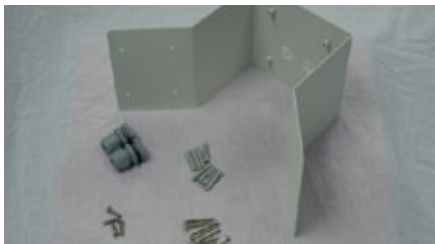


- 5 Connect all cables and verify camera is operating properly.



- 6 Attach the camera to the ceiling mount and secure the dome cover properly.

CORNER MOUNT INSTALLATION INSTRUCTIONS*



- 1 Check to see all parts are in the box.



- 2 Attach the two compression fittings to the corner bracket.



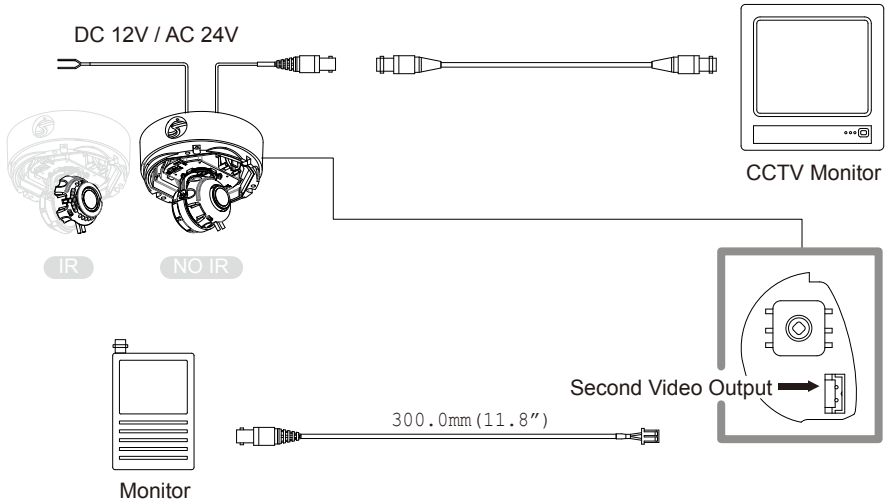
- 3 Attach the wall mount bracket to the corner mount using the machine screws.



- 4 Mount the camera assembly to the corner of the wall, using wall mount anchors and machine screws.

CONNECTING TO MONITORS*

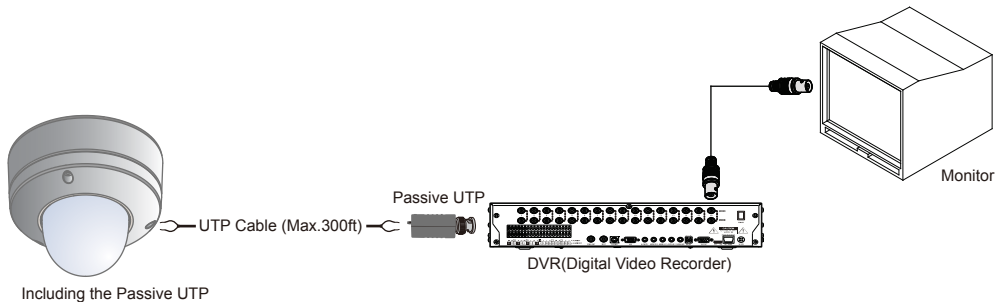
Use the diagram below to connect to a Monitor or CRT Monitor properly.



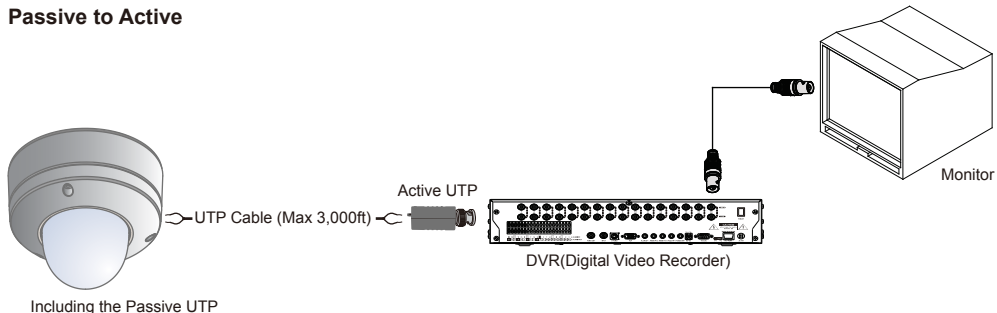
Power Connection: 12VDC & 24VDC Dual Voltage (Auto Polarity Detection and Protection)
All cameras are equipped with a second video output for on-site configuration.

UTP SYSTEM*

Passive to Passive

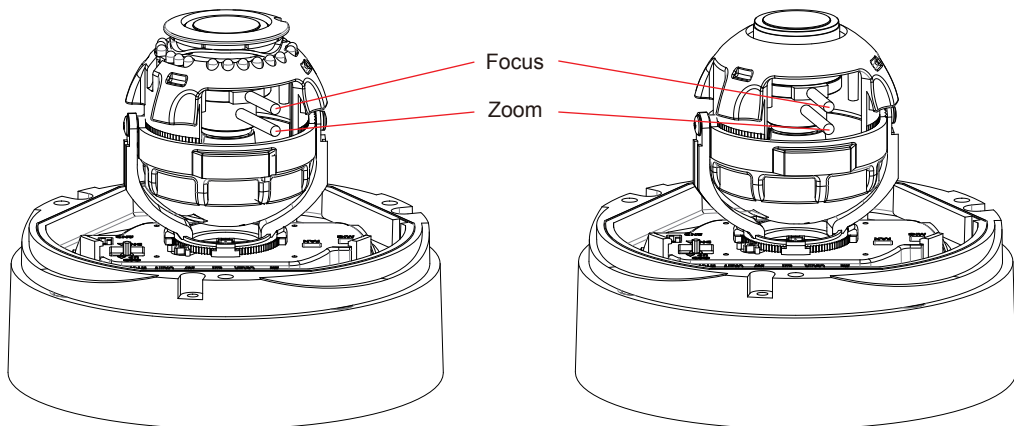


Passive to Active



ADJUSTING THE CAMERA LENS*

Follow the instructions provided below to make any lens adjustments.

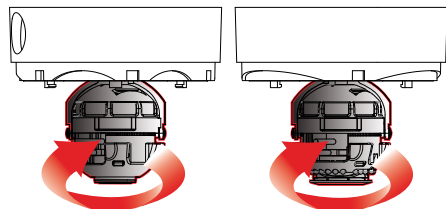


ZOOM: TELE ← - → WIDE
FOCUS: FAR ← - → NEAR

- 1 Loosen the zoom and focus handles by rotating them counter-clockwise.
- 2 Adjust the field of view by moving the handle RIGHT (TELE) to zoom in or LEFT (WIDE) to zoom out.
- 3 After the desired zoom position has been established, adjust the Focus the same way as described above.
- 4 Once the desired adjustments have been made, tighten the handles back by turning them clockwise.

ADJUSTING THE 3-AXIS GIMBAL*

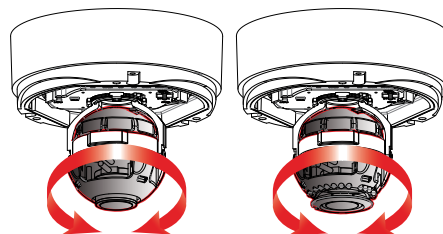
The Gimbal mechanism yields maximum rotation and placement as shown below.



NO IR

Rotation 360°

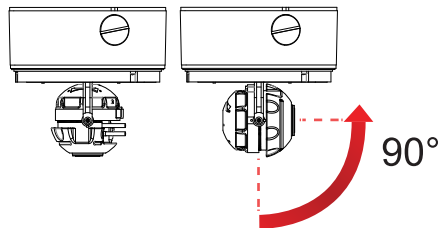
IR



NO IR

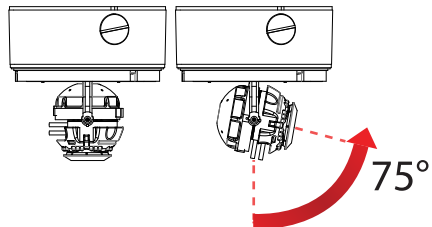
Panning 360°

IR



NO IR

Tilting 90°



IR

Tilting 75°

MODULE OSD MENU*

EXPOSURE	COLOR	DAY & NIGHT	FUNCTION
<ul style="list-style-type: none"> — LENS — MANUAL / DC — BACKLIGHT — OFF / BLC / HME / DRC — AGC — OFF / LOW / MID / HIGH / HIGHEST — STARLIGHT — OFF / X2 ~ X1024 — 3D DNR — OFF / LOW / MID / HIGH / SMART — EXIT JUMP — SAVE & EXIT / EXIT 	<ul style="list-style-type: none"> — WB MODE — AWC / ATW / MANUAL / PUSHLOCK — RED GAIN — 0 ~ 255 — BLUE GAIN — 0 ~ 255 — COLOR MODE — NORMAL / COOL / WARM — EXIT JUMP — SAVE & EXIT / EXIT 	<ul style="list-style-type: none"> — D&N MODE — AUTO / COLOR / B&W — NIGHT C. — 0 ~ 100 — NIGHT A. — 0 ~ 100 — EXIT JUMP — SAVE & EXIT / EXIT 	<ul style="list-style-type: none"> — MIRROR — MIRROR / OFF — SHARPNESS — 0 ~ 99 — GAMMA — MANUAL / 0.45 / 0.60 / 1.0 — SLC — OFF / ON — NIGHT UP — OFF / ON — EXIT JUMP — SAVE & EXIT / EXIT
MOTION	PRIVACY	SET-UP	EXIT
<ul style="list-style-type: none"> — AREA SET — AREA 1~4 > OFF / ON — SENSITIV. — 1 ~ 99 — SHOW INDI. — OFF / ICON / TRACE — EXTER-OUT. — OFF / ON — EXIT JUMP — SAVE & EXIT / EXIT 	<ul style="list-style-type: none"> — MASK 1 — OFF / ON — MASK 2 — OFF / ON — MASK 3 — OFF / ON — MASK 4 — OFF / ON — MASK 5 — OFF / ON — MASK 6 — OFF / ON — MASK 7 — OFF / ON — MASK 8 — OFF / ON — EXIT JUMP — SAVE & EXIT / EXIT 	<ul style="list-style-type: none"> — TITLE EDIT — OFF / ON — DPC SET — OFF / AUTO — MONITOR — MODE 1 / MODE 2 — LANGUAGE — ENGLISH / 繁體中文 / 简体中文 / — 日本語 / DEUTSCH / FRENCH / — ITALIAN / RUSSIAN / SPANISH / DUTCH — OSD COLOR — BLUE / GREEN / CYAN / RED / — MAGENTA / YELLOW / PURPLE / — GRAY — COMMUNICATION — OFF / ON — FACTORY SET. — NO / YES — EXIT JUMP — SAVE & EXIT / EXIT 	<ul style="list-style-type: none"> — SAVE & EXIT — EXIT



EXPOSURE



LENS

Manual Manual mode supports the fixed board lens or the manual iris lens.

DC DC mode supports the auto-iris varifocal lens.

NOTE: Both MANUAL and DC mode have FOCUS TARGET. You can adjust the focus by finding the highest number on the FOCUS TARGET. See page 16 for focus information.



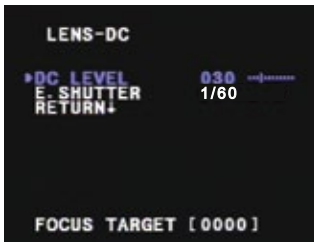
ELC Levels and DC Levels are adjustable. The higher the number, the brighter the image.

E. Shutter sets the shutter speed levels from 1/60 to 1/100000.

*For LENS-MANUAL Mode, the default E.SHUTTER is AUTO.

*For LENS-DC Mode, the default E.SHUTTER is 1/60. Select DC-AUTO for outdoor use. Select 1/100FLC to run camera in flickerless mode.

Note: The STARLIGHT option cannot be controlled if the E.SHUTTER setting is above 1/60.





EXPOSURE

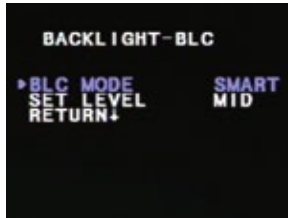
BACKLIGHT

OFF

BLC BACK LIGHT COMPENSATION

MANUAL User can manually adjust the BLC level in five areas of the scene (TOP, BOTTOM, CENTER, LEFT, RIGHT). Increase the BLC levels to make the image brighter.

SMART This is recommended. Camera will automatically detect and adjust the BLC zone. BLC levels to choose from include: LOWEST, LOW, MID, HIGH.



HME HIGHLIGHT MASKING EXPOSURE

HME masks highlights to allow objects to appear clearly on the screen. If ON is selected, HME levels are adjustable. The lower the number, the darker the masking areas.

DRC DYNAMIC RANGE COMPRESSOR

With the advanced light compensation technology DRC, dark spots in images particularly become more visible without overexposing the bright spots to create one perfect image. The higher the number, the better the performance of DRC.



EXPOSURE

AGC (AUTO GAIN CONTROL)

OFF / LOW / MID / HIGH / HIGHEST

AGC enhances the picture brightness in low light conditions. A higher level AGC setting makes the images brighter; however, it could increase the amount of noise.

STARLIGHT

OFF / x2 ~ x1024

Starlight mode automatically activates slow shutter function when the image is too dark. x4 is the default. We do not recommend you to increase the setting, for it causes the image to lag.

Note: Starlight menu cannot be controlled if the E.SHUTTER setting is above 1/60.

3D DNR (DIGITAL NOISE REDUCTION)

OFF / LOW / MID / HIGH / SMART

3D-DNR reduces the noise on the screen in low light conditions and allows for clearer images, even at night. The SMART option will adjust the camera to prevent lagging when there is motion.

EXIT JUMP

SAVE & EXIT
EXIT

Save the current settings and exit the OSD menu.
Exit the OSD menu without saving the changes.



COLOR



WB MODE

- AWC** Auto White Balance Control mode compensates for color temperature changes between 2000K and 18000K.
- ATW** Auto Tracking White Balance Control mode compensates for color temperature changes between 2500K and 9500K.
- MANUAL** Users can control the white balance manually by changing RED GAIN and BLUE GAIN (see below).
- PUSHLOCK** Pushlock is to fix the white balance based on the current lighting.

RED GAIN

0 ~ 255 Adjusts the amount of red in the image.

BLUE GAIN

0 ~ 255 Adjust the amount of blue in the image.

COLOR MODE

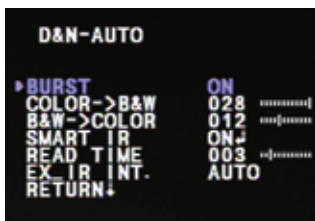
- NORMAL** Color is similar to actual color.
- COOL** Color has more blue.
- WARM** Color has more red.

EXIT JUMP

- SAVE & EXIT** Save the current settings and exit the OSD menu.
- EXIT** Exit the OSD menu without saving the changes.



DAY & NIGHT



D&N MODE

AUTO Camera switches between day and night automatically depending on light level. Camera will stay in color mode when there is enough light. Camera will switch to B&W at night or other low light environments.

If AUTO is selected, please define the following settings:

*BURST: If ON is selected, the camera provides a color burst signal in night mode. If OFF, no color burst signal is provided.

*COLOR->B&W: Adjusts the light level at which the camera switches from day (color) to night (B&W) mode. The higher the number, the lower the light level.

*B&W->COLOR: Adjusts the light level at which the camera switches from night (B&W) to day (color) mode. This number should be lower than the value of COLOR->B&W above.

*SMART IR: ON/OFF. If using IR LEDs, ON is recommended.

*READ TIME: Time interval delay before switching from day mode to night mode. It is adjustable from 3 seconds to 12 seconds.

*EX_IR INT.: AUTO/EXT. If using IR LEDs built into the camera, select AUTO. If using external IR LEDs separately, select EXT.

COLOR

Camera always stays in day/color mode.

B&W

Camera always stays in night/B&W mode.

NIGHT C.

0 ~ 100 Color will be reduced in low light conditions.
(This level cannot be adjusted when 3D-DNR is ON.)

NIGHT A.

0 ~ 100 Edge sharpness will be reduced in low light conditions.
(This level cannot be adjusted when 3D-DNR is ON.)

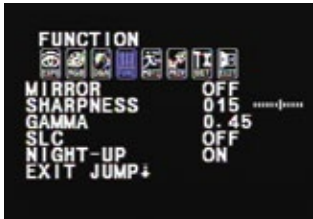
EXIT JUMP

SAVE & EXIT Save the current settings and exit the OSD menu.

EXIT Exit the OSD menu without saving the changes.



FUNCTION



MIRROR

OFF

MIRROR Flips the image horizontally.

SHARPNESS

0 ~ 30

Sets the image sharpness. The higher the number, the sharper the image.

GAMMA

0.45 / 0.60 / Select the desired gamma level. 0.45 is default setting.

1.0 / MANUAL

SLC (SIDE LIGHT COMPENSATION)

OFF / ON Increase the brightness on sides of the image.

NIGHT-UP

OFF / ON Adjusts sensitivity in low light conditions by set-up level. If ON is selected, the set-up level becomes higher, and the images become brighter.

EXIT JUMP

SAVE & EXIT Save the current settings and exit the OSD menu.

EXIT Exit the OSD menu without saving the changes.



MOTION



The camera can detect the movement and display an alarm on the screen when movement is detected.

AREA SET

AREA 1 ~ 4 OFF / ON

If ON, motion areas can be selected and moved accordingly.

Select Areas 1-4 and adjust using controls for TOP, BOTTOM, LEFT, or RIGHT.

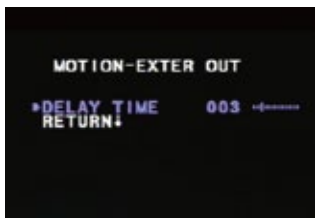


SENSITIV.

1 ~ 30 Sensitivity level of the motion detection is adjustable. Motion Detection will be more sensitive at a higher number.

SHOW INDI.

OFF / ICON TRACE Set the Show Indicator to OFF, ICON, or TRACE. If ICON is selected, a bell will appear in the upper right hand corner when motion is detected. If TRACE is selected, the area where motion was detected will be highlighted.



EXTER OUT (ALARM SIGNAL, EXTERNAL OUTPUT)

OFF / ON If ON is selected, you can set how long the alarm is displayed on the screen when motion is detected (0 ~ 15 seconds).

EXIT JUMP

SAVE & EXIT Save the current settings and exit the OSD menu.

EXIT Exit the OSD menu without saving the changes.



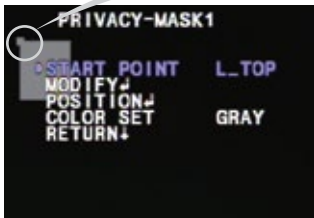
PRIVACY



You can hide some parts of the screen for privacy masking. A total of 8 different privacy masking zones are available.

MASK 1 ~ MASK 8

OFF / ON Select ON or OFF for each mask (MASK 1 through 8).



If ON is selected you can set the area to be masked and the shape and color of the mask.

*START POINT: Select the START POINT to adjust the size of the privacy zone.

- L_TOP (Left Top)
- R_TOP (Right Top)
- L_BOT (Left Bottom)
- R_BOT (Right Bottom)

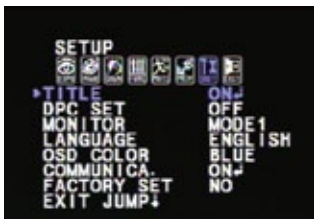
*MODIFY: After selecting the START POINT, you can modify the size of the privacy zone by moving the joystick left or right.

*POSITION: You can move the privacy zone by moving the joystick left or right.

*COLOR SET: Privacy zones can be set with eight different colors - GRAY, BLACK, WHITE, RED, GREEN, BLUE, MAGENTA, and CYAN.



SETUP

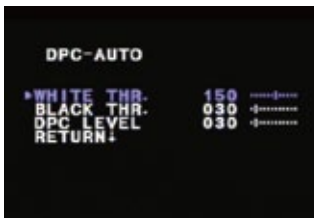


TITLE

OFF / ON If ON is selected, you can display the camera title on the screen.

*CLR: Clear the title.

*POS: Position the title on the screen.



DPC (DEAD PIXEL CANCELLATION)

OFF DPC automatically removes defective pixels in real time.

AUTO If AUTO is selected, you can define the following settings:

*WHITE THR: Cancels the white defective pixels.

*BLACK THR: Cancels the black defective pixels.

*DPC LEVEL: Adjusts the sensitivity level of the dead pixel cancellation.

NOTE: Adjust the WHITE THR/BLACK THR and DPC LEVEL at the same time.



SETUP

MONITOR

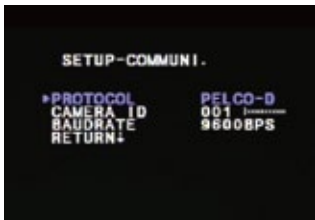
MODE 1 MODE 1 is the default. If the displayed image is not good enough, try MODE 2.
MODE 2

LANGUAGE

The camera supports the following languages: ENGLISH, CANTONESE, MANDARIN, JAPANESE, GERMAN, FRENCH, ITALIAN, RUSSIAN, SPANISH, AND DUTCH.

OSD COLOR

The following colors are available for the OSD menu: BLUE, GREEN, CYAN, RED, MAGENTA, YELLOW, PURPLE, and GRAY.



COMMUNICATION

OFF

ON

If ON is selected, you can define the following:

*PROTOCOL: PELCO-D only.

*CAMERA ID: Provide an ID number for the camera (0~255).

*BAUDRATE: 9600bps is the default. There are four options: 2400bps, 4800bps, 9600bps, and 19200bps.

FACTORY SET

If selected, the camera reverts back to factory default settings.

NOTE: FACTORY SET does not affect the LENS, DAY & NIGHT, CAMERA ID, and DPC SETTINGS.

EXIT JUMP

SAVE & EXIT Save the current settings and exit the OSD menu.

EXIT Exit the OSD menu without saving the changes.



EXIT

EXIT

SAVE & EXIT Save the current settings and exit the OSD menu.

EXIT Exit the OSD menu without saving the changes.

TROUBLESHOOTING

Before sending your camera for repair, check the following or contact our technical specialist.

FOR NO VIDEO

Check the coaxial cable and make sure it is connected securely.

Check the lens' iris adjustment at the camera's OSD menu.

Check the power supply and make sure the camera has the proper voltage and current.

FOR OUT-OF-FOCUS VIDEO

Check the clear dome cover and the lens for dirt or fingerprints. Use a soft cloth and gently clean.

Check the lens' manual focal and zoom adjustment. The use of a field test monitor is recommended.



WARRANTY INFORMATION*

Digital Watchdog (referred to as “the Warrantor”) warrants the Digital Watchdog Camera against defects in materials or workmanship as follows:

LABOR: For the initial five (5) years and one (1) year on IR LED from the original purchase date, if the camera is determined to be defective, the Warrantor will repair or replace the unit with a new or refurbished product at its option at no charge.

PARTS: In addition, the Warrantor will supply replacement parts for the initial five (5) years and one (1) year on IR LED.

To obtain warranty or out of warranty service, please contact a Technical Support Representative at **1-866-446-3595** Monday through Friday from 8:30AM to 8:00PM Eastern Standard Time.

A purchase receipt or other proof of the original purchase date is required before warranty service is rendered. This warranty only covers failures due to defects in materials and workmanship which arise during normal use. This warranty does not cover damage which occurs in shipment or failures which are caused by products not supplied by the Warrantor or failures which result from accident, misuse, abuse, neglect, mishandling, misapplication, alteration, modification, faulty installation, set-up adjustments, improper antenna, inadequate signal pickup, maladjustment of consumer controls, improper operation, power line surge, improper voltage supply, lightning damage, rental use of the product or service by anyone other than an authorized repair facility or damage that is attributable to acts of God.

LIMITS AND EXCLUSIONS*

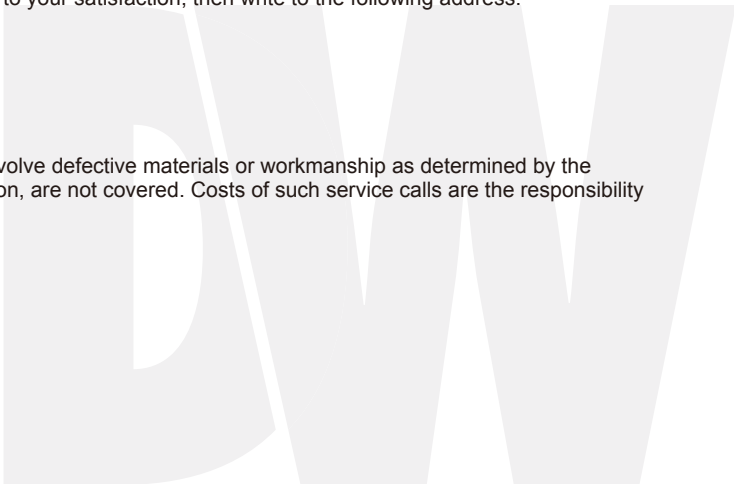
There are no express warranties except as listed. The warrantor will not be liable for incidental or consequential damages (including damage to recording media without limitation) resulting from the use of these products or arising out of any breach of the warranty. All express and implied warranties, including the warranties of merchantability and fitness for particular purpose, are limited to the applicable warranty period set forth above.

Some states do not allow the exclusion or limitation of incidental or consequential damages, or limitations on how long an implied warranty lasts, so the exclusions or limitations listed above may not apply to you. This warranty gives you specific legal rights, and you may also have other rights that vary from state-to-state.

If the problem is not handled to your satisfaction, then write to the following address:

Digital Watchdog, Inc.
ATTN: RMA Department
5436 W. Crenshaw Street
Tampa, FL 33634

Service calls which do not involve defective materials or workmanship as determined by the Warrantor, in its sole discretion, are not covered. Costs of such service calls are the responsibility of the purchaser.



SPECIFICATIONS*

DWC-V4363D & DWC-V4363TIR	
VIDEO	
Image Sensor	1/3" CCD
Total Pixels	811 (H) x 508 (V), 411K Pixels
Effective Pixels	768 (H) x 494 (V)
Frequency	15.734KHz (H), 59.95Hz (V)
Synchronization	Internal or Line Lock
Horizontal Resolution	620 TV Lines [B&W], 600 TV Lines [Color]
Minimum Illumination	F1.2 (30IRE): 0.14 Lux [Color] F1.2 (30IRE): 0.03 Lux [B&W]; 0.0 Lux [B&W] for IR Model
S/N Ratio	50dB (AGC off)
Video Output	CVBS: 1.0Vp-p / 75 Ω
LENS	
Focal Length	3.3-12mm
Lens Type	DC Auto Iris
OPERATIONAL	
Day & Night	Electronic; TDN with IR Cut Filter [IR Model]
3D-DNR	OFF / LOW / MID / HIGH / SMART
Star-Light	OFF / x2 ~ x1024
White Balance	AWC / ATW / MANUAL / PUSH

OPERATIONAL

Backlight Compensation	OFF / BLC / HME / DRC
Auto Gain Control	OFF / LOW / MID / HIGH / HIGHEST
Privacy Zones	OFF / ON (8 Programmable Zones)
Language	ENGLISH / GERMAN / JAPANESE / MANDARIN / CANTONESE RUSSIAN / FRENCH / SPANISH / ITALIAN / DUTCH

ENVIRONMENTAL

Operating Temperature	-29°C ~ 55°C (-20°F ~ 131°F)
Operating Humidity	Less than 90% (Non-Condensing)
Storage Temperature	-29°C ~ 70°C (-20°F ~ 158°F)
IP Rating	IP68 (Protects against dust and immersion beyond 3ft.)

ELECTRICAL

Power Requirement	Dual (12VDC & 24VAC)
Power Consumption	12VDC: 2.3W, 192mA / LED ON 4.8W, 400mA 24VAC: 2.5W, 104mA / LED ON 4.9W, 204mA

MECHANICAL

Housing Material	Aluminum
Dome Cover Material	Polycarbonate
Dimensions	∅139 X 118.8 mm (∅5.47 X 4.7 in)
Weight	2.028 lbs; 2.05 lbs [IR Model]

*Specification is subject to change without prior notice.

SPECIFICATIONS*

DWC-V4363DH	
VIDEO	
Image Sensor	1/3" CCD
Total Pixels	811 (H) x 508 (V), 411K Pixels
Effective Pixels	768 (H) x 494 (V)
Frequency	15.734KHz (H), 59.95Hz (V)
Synchronization	Internal or Line Lock
Horizontal Resolution	620 TV Lines [B&W], 600 TV Lines [Color]
Minimum Illumination	F1.2 (30IRE): 0.14 Lux [Color] F1.2 (30IRE): 0.03 Lux [B&W]
S/N Ratio	50dB (AGC off)
Video Output	CVBS: 1.0Vp-p / 75 Ω
LENS	
Focal Length	3.3-12mm
Lens Type	DC Auto Iris
OPERATIONAL	
Day & Night	Electronic
3D-DNR	OFF / LOW / MID / HIGH / SMART
Star-Light	OFF / x2 ~ x1024
White Balance	AWC / ATW / MANUAL / PUSH

OPERATIONAL

Backlight Compensation	OFF / BLC / HME / DRC
Auto Gain Control	OFF / LOW / MID / HIGH / HIGHEST
Privacy Zones	OFF / ON (8 Programmable Zones)
Language	ENGLISH / GERMAN / JAPANESE / MANDARIN / CANTONESE RUSSIAN / FRENCH / SPANISH / ITALIAN / DUTCH

ENVIRONMENTAL

Operating Temperature	-40°C ~ 55°C (-40°F ~ 131°F)
Operating Humidity	Less than 90% (Non-Condensing)
Storage Temperature	-40°C ~ 70°C (-40°F ~ 158°F)
IP Rating	IP68 (Protects against dust and immersion beyond 3ft.)

ELECTRICAL

Power Requirement	Dual (12VDC & 24VAC)
Power Consumption	12VDC: 2.3W, 192mA / HEATER ON 6.0W, 500mA 24VAC: 2.5W, 104mA / HEATER ON 6.0W, 250mA

MECHANICAL

Housing Material	Aluminum
Dome Cover Material	Polycarbonate
Dimensions	Ø139 X 118.8 mm (Ø5.47 X 4.7 in)
Weight	2.028 lbs

*Specification is subject to change without prior notice.

MEMO*

MEMO*

MEMO*



Everything's Digital

5436 W Crenshaw St. Tampa, FL 33634

Tel : 866-446-3595 / 813-888-9555

Fax : 813-888-9262

www.Digital-Watchdog.com

technicalsupport@dwcc.tv

Technical Support Hours : Monday-Friday

8:30am to 8:00pm EST