

**DWC-V6563WTIR**

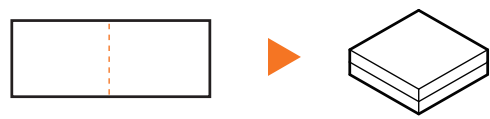


**WHAT'S IN THE BOX**

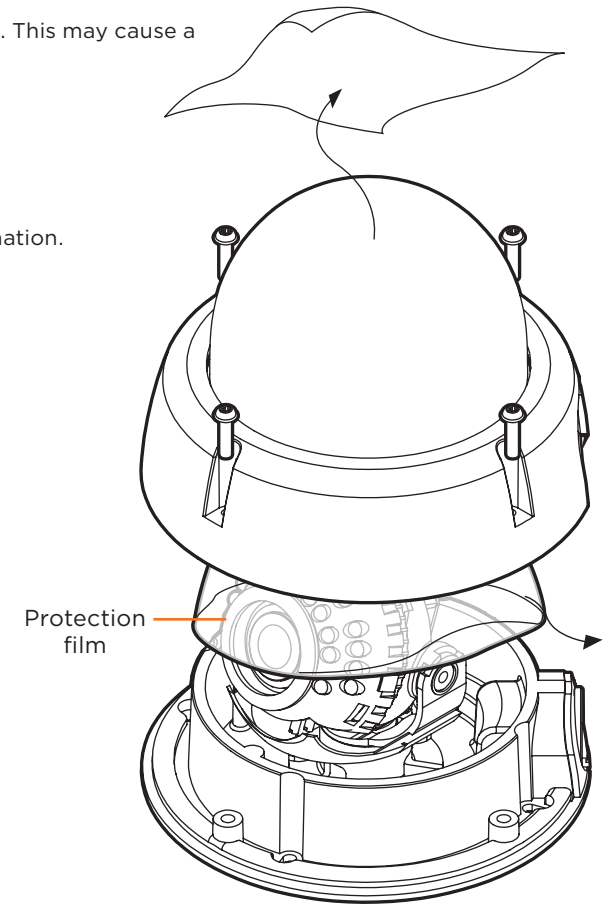
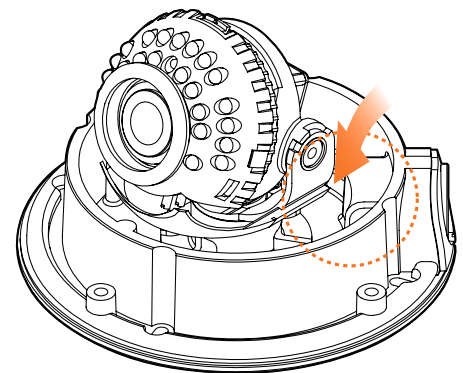
Torque wrench		1 Set	Quick Setup Guide		1 Set
DC plug cable		1 Set	Screws and plastic anchors (4pcs)		1 Set
Test video cable		1 Set	Moisture absorber and absorber guide		1 Set
Mounting template sheet		1 Set			

**STEP 1 - PREPARING TO MOUNT THE CAMERA**

1. The mounting surface must withstand five times the weight of your camera.
2. Do not let the cables get caught in improper places or the electric line cover can be damaged. This may cause a short or fire.
3. Install the moisture packet in the base of the camera's lens.
  - a. Remove the moisture absorber from the packaging.
  - b. Cut the card and folder along the dotted line.
  - c. Place the moisture absorber behind the camera's lens module. See drawing for more information.
4. Detach the camera's dome cover by loosening the four (4) screws on each side of the dome.
5. Remove the dome protection film before placing the dome back on the camera base.
6. Using the mounting template sheet or the camera itself, mark and drill the necessary holes in the wall or ceiling.



⊠ Please cut the card type absorber along a dotted line, overlap and attach them according to the direction of the arrow.



**STEP 2 - CABLING THE CAMERA TO EXTERNAL DEVICES**

Pass the wires through the mount bracket and make all necessary connections. Connect the BNC cable and power cables to the camera.

**NOTE:** Download all your support materials and tools in one place

1. Go to: <http://www.digital-watchdog.com/resources>
2. Search your product by entering the part number in the 'Search by Product' search bar. Results for applicable part numbers will populate automatically based on the part number you enter.
3. Click 'Search'. All supported materials, including manuals and quick start guide (QSGs) will appear in the results.

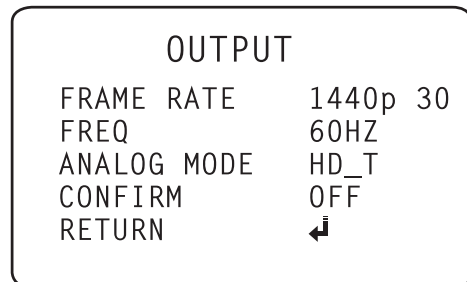


**Attention: This document is intended to serve as a quick reference for initial set-up. It is recommended that the user read the entire instruction manual for complete and proper installation and usage.**

Power Requirements	Power Consumption
DC12V/AC24V dual voltage	DC12V (LED off): 3.3W (275mA) DC12V (LED on): 5.9W (495mA) AC24V (LED off): 2.75W (200mA) AC24V (LED on): 5.3W (360mA)

### STEP 3 - CHANGING THE SIGNAL IN THE CAMERA

1. The camera supports HD-Analog, HD-CVI and HD-TVI signals. To switch between the signals:
  - a. Enter the camera's OSD menu. You can access it locally from using the camera's joystick in the body of the camera, or from a recorder supporting UTC communication. Go to **SETUP > OUTPUT > ANALOG MODE**.
  - b. Set the camera's analog signal output from the following options:
    - HD-A: supports 5MP/1944p @ 20fps and 12.5fps, 4MP/1440p @ 30fps, 2.1MP/1080p @ 30fps and 720p @ 30fps.
    - HD-T: supports 5MP/1944p @ 20fps, 4MP/1440p @ 30fps, 2.1MP/1080p @ 30fps and 720p @ 30fps.
    - HD-C: supports 4MP/1440p @ 30fps, 2.1MP/1080p @ 30fps and 720p @ 30fps.
    - CVBS: supports up to 960H @ 30fps
  - c. Change CONFIRM to ON to save the changes.
  - d. Go to the EXIT menu and select SAVE&EXIT to save all changes. The camera signal automatically.



### STEP 4 - INSTALLING THE CAMERA

1. Once all cables have been connected, use the screws included with the camera to properly mount and secure the camera to the mounting surface.
2. Adjust the camera's pan, tilt and position to achieve the desired view. The cameras' max angles are:
  - Pan: 0° - 360°
  - Tilt: 0° - 90°
  - Rotation: 0° - 360°
3. To adjust the camera's focus and zoom:
  - a. Unlock the zoom or focus screws by rotating them counter-clockwise.
  - b. Adjust the zoom and focus screws at the base of the camera module to achieve a clear image.
  - c. Tighten the screws and close the front case by rotating it clock-wise.
4. Once the installation is complete, remove the protective film from the camera's dome cover.

