

DWC-V7553W



WHAT'S IN THE BOX

Mount bolts and nuts		1 Set	Template sheet for bolt and nut installation		1 Set
Torque wrench		1 Set	Quick Setup Guide		1 Set
Screw and plastic anchor-2pcs		1 Set	Test video cable		1 Set

NOTE: Download all your support materials and tools in one place

1. Go to: <http://www.digital-watchdog.com/resources>
2. Search your product by entering the part number in the 'Search by Product' search bar. Results for applicable part numbers will populate automatically based on the part number you enter.
3. Click 'Search'. All supported materials, including manuals and quick start guide (QSGs) will appear in the results.

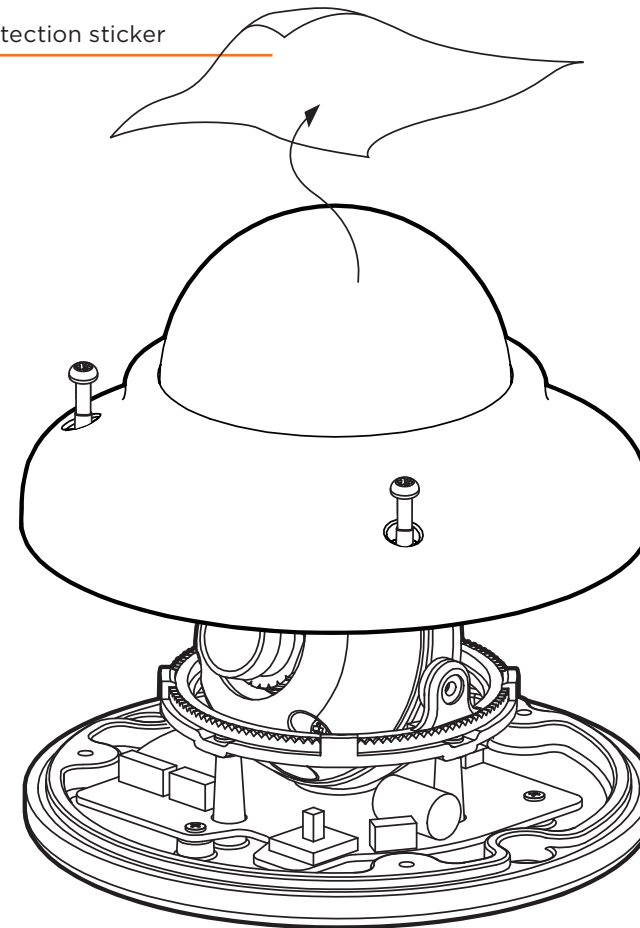


Attention: This document is intended to serve as a quick reference for initial set-up. It is recommended that the user read the entire instruction manual for complete and proper installation and usage.

STEP 1 - PREPARING TO MOUNT THE CAMERA

1. The mounting surface must withstand five times the weight of your camera.
2. Do not let the cables get caught in improper places or the electric line cover can be damaged. This may cause a short or fire.
3. Detach the camera's dome cover by loosening the 2 screws on the dome using the included torque wrench.
4. Use the mounting template to mark and drill the necessary holes in the mounting surface.

Protection sticker



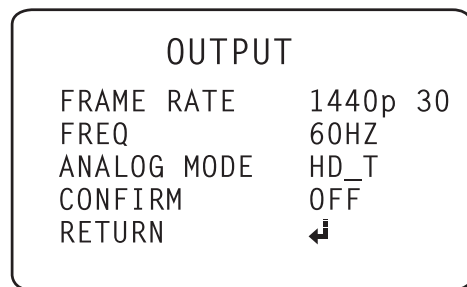
STEP 2 - CABLING THE CAMERA TO EXTERNAL DEVICES

Pass the wires through the mount bracket and make all necessary connections. Connect the BNC cable and power cables to the camera.

Power Requirements	Power Consumption
DC12V	DC12V: 2W, 176mA

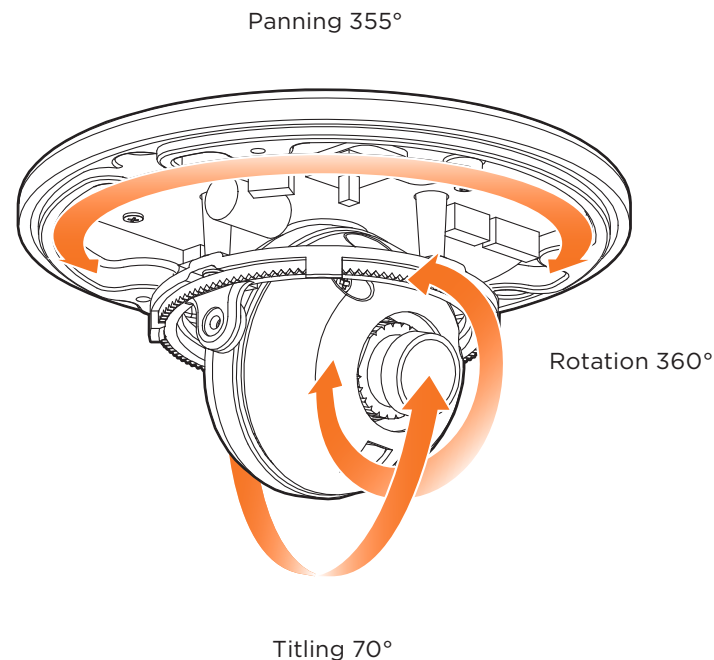
STEP 3 - CHANGING THE SIGNAL IN THE CAMERA

1. The camera supports HD-Analog, HD-CVI and HD-TVI signals. To switch between the signals:
 - a. Enter the camera's OSD menu. You can access it locally from using the camera's joystick in the body of the camera, or from a recorder supporting UTC communication. Go to **SETUP > OUTPUT > ANALOG MODE**.
 - b. Set the camera's analog signal output from the following options:
 - HD-A: supports 5MP/1944p @ 20fps and 12.5fps, 4MP/1440p @ 30fps, 2.1MP/1080p @ 30fps and 720p @ 30fps.
 - HD-T: supports 5MP/1944p @ 20fps, 4MP/1440p @ 30fps, 2.1MP/1080p @ 30fps and 720p @ 30fps.
 - HD-C: supports 4MP/1440p @ 30fps, 2.1MP/1080p @ 30fps and 720p @ 30fps.
 - CVBS: supports up to 960H @ 30fps
 - c. Change **CONFIRM** to **ON** to save the changes.
 - d. Go to the **EXIT** menu and select **SAVE&EXIT** to save all changes. The camera signal automatically.



STEP 4 - INSTALLING THE CAMERA

1. Once all cables have been connected, use the screws included with the camera to properly mount and secure the camera to the mounting surface.
2. Adjust the camera's pan, tilt and position to achieve the desired view. The cameras' max angles are:
 - Pan: 0° - 355°
 - Tilt: 0° - 70°
 - Rotation: 0° - 360°
3. Once the installation is complete, remove the protective film from the camera's dome cover. To remove it, loosen the screw on the decorative ring and rotate the ring counter-clockwise to remove.



For a bolt and nut installation:

1. Using the bolt and nut mounting template, mark and drill the necessary holes in the mounting surface.
 2. Pass wires through and make all connections (see STEP 2 for more information).
 3. Secure the two long mounting screws to the camera's base.
 4. Mount the camera to the mounting surface by using the 2 mounting nuts.
- Rotate the locking discs over the screws until the camera is held tightly from the mounting surface.

