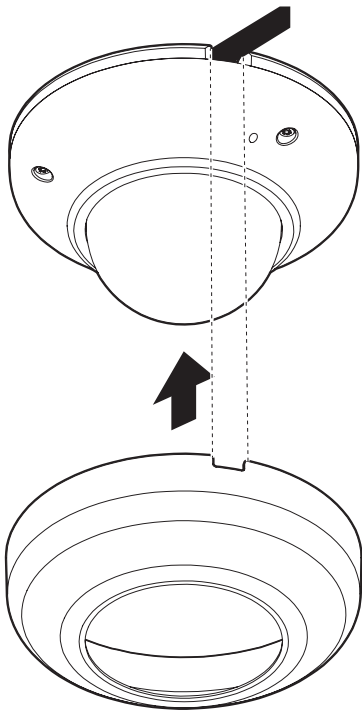


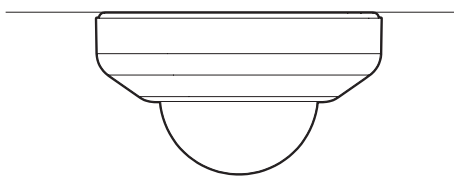
## Decorative rings for V7 ultra low-profile vandal domes



- 1 Make sure the camera housing has been installed properly.
- 2 Align the cover ring's notch with the housing's cable hole.
- 3 Push the cover ring into place making sure to protect the camera's clear bubble. Check that the cover ring is secure.

⚠ **Warning:**

When removing the camera's top case cover, be careful not to get dirt on the bubble.



**NOTE:** Download all your support materials and tools in one place

1. Go to: <http://www.digital-watchdog.com/resources>
2. Search your product by entering the part number in the '**Search by Product**' search bar. Results for applicable part numbers will populate automatically based on the part number you enter.
3. Click '**Search**'. All supported materials, including manuals and quick start guide (QSGs) will appear in the results.



Tel: +1 (866) 446-3595 / (813) 888-9555

Technical Support Hours: 9:00AM - 8:00PM EST, Monday thru Friday

Copyright © Digital Watchdog. All rights reserved. Specifications and pricing are subject to change without notice.

Rev Date: 06/19