



**5MP**  
at 20fps



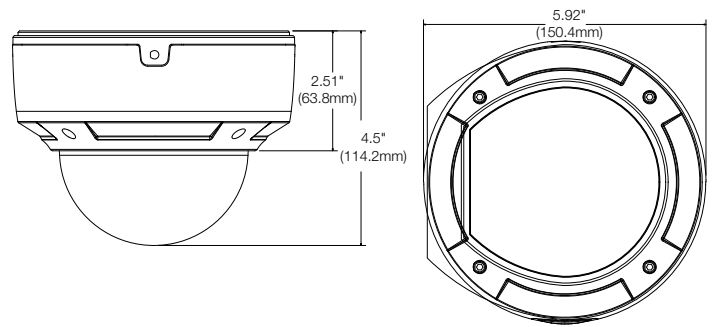
**30fps**  
at 4MP Resolution



**5 YEAR**  
Warranty

## Dimensions

unit: Inch (mm)



## Summary

Universal HD over Coax<sup>®</sup> 5MP cameras deliver crystal-clear images and support HD-Analog, HD-TVI and HD-CVI signals and analog signals up to 960H. The IK10 impact resistant vandal dome cameras are IP66 rated and can be controlled via the same coax cable using UTC. All DW<sup>®</sup> HD over Coax<sup>™</sup> cameras are engineered to work with our VMAX<sup>®</sup> A1 Plus<sup>™</sup> HD over Coax<sup>™</sup> DVRs using your existing coax infrastructure for a cost effective, high resolution surveillance solution.

## Features

- Universal HD over Coax<sup>®</sup> Technology supports HD-Analog, HD-TVI, HD-CVI and all analog to 960H signals
- 5MP 1/2.7" image sensor at 20fps / 4MP at real-time 30fps
- 2.8-12mm vari-focal lens with autofocus
- Digital Wide Dynamic Range (D-WDR)
- OSD control via Coaxial (UTC)
- 100' range IR
- 3D digital noise reduction
- True day/night with mechanical IR cut filter
- Auto gain control (AGC)
- Backlight compensation (BLC)
- Auto white balance (AWB)
- IP66 certified weather and tamper resistant
- IK-10 impact rated
- 5 year warranty

## Specifications

IMAGE	
Image sensor	5MP 1/2.7" CMOS sensor
Active pixels	2592(H) x 1944(V)
Scanning system	CMOS line-by-line
Frequency	60Hz/50Hz
Signal technology	Universal HD over Coax <sup>®</sup> Technology supports HD-Analog, HD-TVI, HD-CVI and all analog to 960H signal
Resolution	5MP: 2560 x 1936 @ 20fps 4MP: 2560 x 1440 @ 30fps
Minimum scene illumination	0.01 lux (color) 0 lux (B&W)
Video output	HD-Analog, HD-TVI and HD-CVI 5MP at 20fps, 4MP at 30fps Analog up to 960H at 30fps
LENS	
Focal length	2.8-12mm, F1.2
Lens type	Vari-focal lens with autofocus
Field of view (FoV)	91.2°-33.4°
IR distance	100ft range
OPERATIONAL	
Shutter mode	Auto, manual
Shutter speed	1 / 60s ~ 1 / 1000000s
Backlight (BLC)	Yes
Wide Dynamic Range (WDR)	D-WDR
3D digital noise reduction	Digital noise reduction
White balance	Yes
Day / night	True day/night
Mirror / flip	Yes
Auto gain control	Auto
Sharpness	Yes
Up the Coax (UTC) camera control	UTC camera control
ENVIRONMENTAL	
Operating temperature	-22°F ~ 122°F (-30°C ~ 50°C)
Operating humidity	10 % ~ 90 % humidity
IP rating	IP66 certified weather and tamper resistant
IK rating	IK10 rated impact resistant
Other certifications	CE, FCC, RoHS
ELECTRICAL	
Power requirements	DC12V
Power consumption	IR ON : < 4W
	IR OFF : < 1W
MECHANICAL	
Material	Metal vandal housing, polycarbonate dome
Dimensions	4.5" x 5.92" (114.2 x 150.4 mm)
Weight	2.27 lb (1.030kg)

## Accessories (Optional)



DWC-MVTWMJ2  
Wall mount and  
junction box



DWC-MVTCMJ2  
Ceiling mount and  
junction box



DWC-MVTJUNC2  
Junction box