



## DTK-DR Series 75kA DIN Rail Surge Protective Device

DITEK's DTK-DR Series DIN Rail Surge Protectors are designed to protect against the harmful effects of transient surges caused by direct or indirect lightning, power company grid switching and inductive load switching. These high-performance SPD's provide point-of-use surge protection for critical operations within commercial and industrial environments.



### Product Features

- 75,000 Amps per Phase surge current rating ensures long service life
- Compact, modular design for easy integration within machine control panels
- Quick replacement of protection module when needed
- 35mm DIN Rail mounting configuration
- Remote end of life indicator for surge protection status: NO/NC Form C dry contacts
- Visual end of life indicator for surge protection status: RED = end of life
- Modules with "N" suffix include N-G protection module

### Applications

- Industrial Control Equipment
- UL508 Control Panels

### Accessories

- Replacement SPD Module, See chart on page 2-3

### Technical Specifications

<b>Voltage Configurations:</b>	See Chart on Page 2
<b>Surge Current Rating:</b>	75,000A / Phase
<b>SCCR:</b>	200,000A
<b>Operating Frequency:</b>	50/60Hz

### Mechanical Specifications

<b>Connection Method:</b>	Hardwired terminals, 4-14 AWG
<b>Housing:</b>	IP20, UL94 V0
<b>Mounting:</b>	35mm DIN Rail
<b>Surge Protection Status:</b>	Green - Normal, Red - Replace
<b>Remote Monitoring:</b>	Form C Dry Contact 250VAC/1A max, 125VAC/3A max
<b>Operating Temperature:</b>	-40°F – 185°F (-40°C – 85°C)
<b>Humidity:</b>	0 – 95% non-condensing
<b>Dimensions:</b>	4.19" L X 0.69" W x 2.81" H (1-pole) (106 mm x 18 mm x 71 mm)
<b>Weight:</b>	0.35 lb (159 g)

### Quality Standards & Approvals

<b>Certifications:</b>	UL1449 4 <sup>th</sup> Edition CSA C22.2 No. 269.4-17
<b>SPD Type:</b>	Type 1 Component Assembly
<b>Standards Compliance:</b>	IEEE C62.41.1 –2 and C62.45 RoHS Compliant
<b>Warranty:</b>	3 Year Limited Warranty





## DTK-DR Series 75kA DIN Rail Surge Protective Device

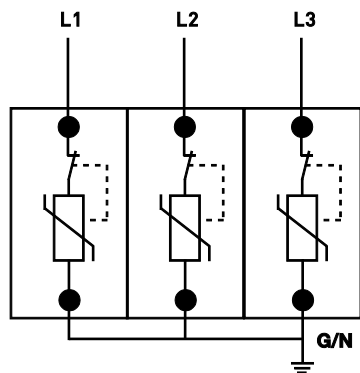
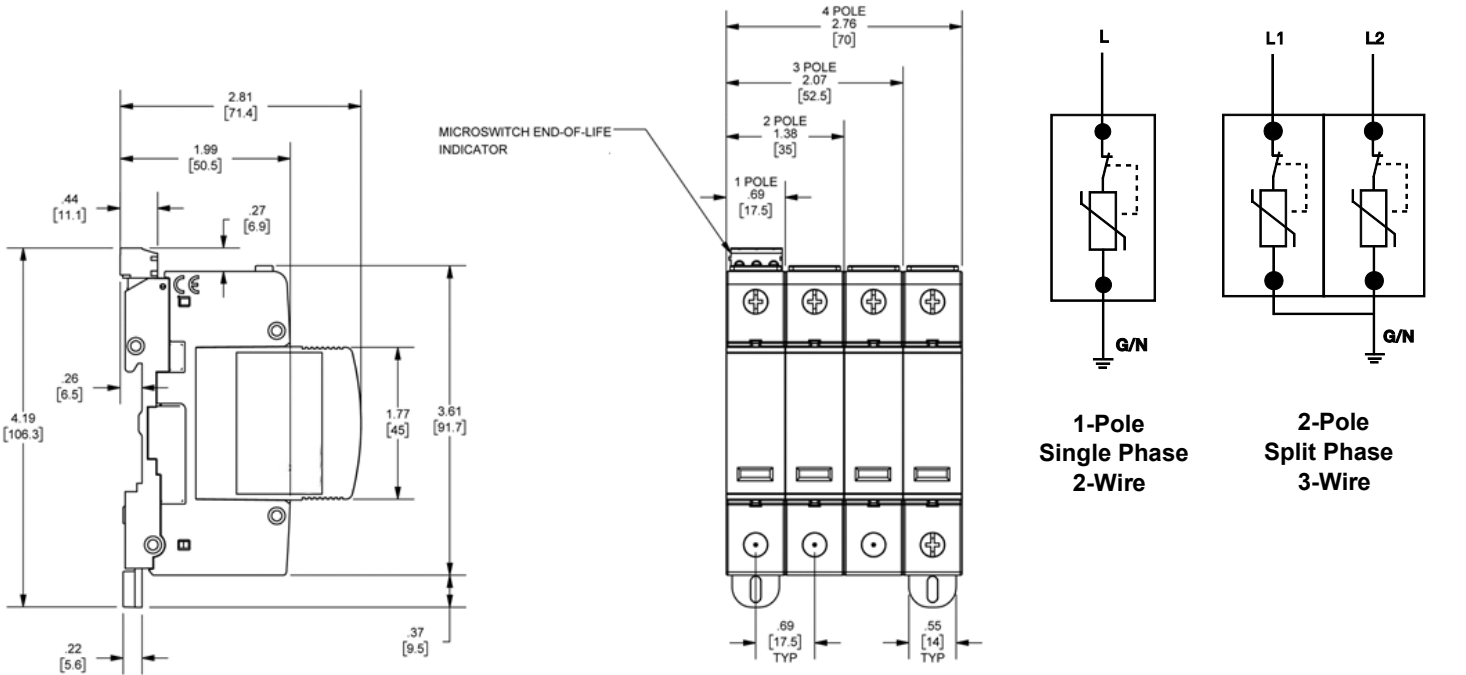
Part Number	Replacement Module	Service Voltage	Service Configuration	MCOV	UL In Rating	Voltage Protection Rating (VPR)			
						L-G	L-L	L-N	N-G
<b>1-POLE</b>									
DTK-DR120P1	DTK-DR175M	120VAC	Single $\Phi$ (2W + G)	175V	20kA	600V	N/A	N/A	N/A
DTK-DR240P1	DTK-DR275M	240VAC	Single $\Phi$ (2W + G)	275V	20kA	900V	N/A	N/A	N/A
DTK-DR277P1	DTK-DR320M	277VAC	Single $\Phi$ (2W + G)	320V	20kA	1000V	N/A	N/A	N/A
DTK-DR347P1	DTK-DR420M	347VAC	Single $\Phi$ (2W + G)	420V	10kA	1500V	N/A	N/A	N/A
<b>2-POLE</b>									
DTK-DR240P2	DTK-DR175M	120/240VAC	Split $\Phi$ (3W + G)	175V/350V	20kA	600V	N/A	N/A	1200V
DTK-DR480P2	DTK-DR275M	240/480VAC	Split $\Phi$ (3W + G)	275V/550V	20kA	900V	N/A	N/A	1800V
<b>3-POLE</b>									
DTK-DR240P3	DTK-DR275M	240VAC	Three $\Phi$ Delta (3W + G)	275V/550V	20kA	N/A	900V	N/A	1800V
DTK-DR480P3	DTK-DR550M	480VAC	Three $\Phi$ Delta (3W + G)	550V/1100V	10kA	N/A	1500V	N/A	3000V
DTK-DR208P4	DTK-DR175M	120/208VAC	Three $\Phi$ Wye (4W + G)	175V/350V	20kA	600V	N/A	N/A	1200V
DTK-DR480P4	DTK-DR320M	277/480VAC	Three $\Phi$ Wye (4W + G)	320V/640V	20kA	1000V	N/A	N/A	2000V
DTK-DR600P4	DTK-DR420M	347/600VAC	Three $\Phi$ Wye (4W + G)	420V/840V	10kA	1500V	N/A	N/A	2500V
DTK-DR690P4	DTK-DR550M	400/690VAC	Three $\Phi$ Wye (4W + G)	550V/1100V	10kA	1500V	N/A	N/A	3000V
<b>4-POLE</b>									
DTK-DR208P4N	DTK-DR175M	120/208VAC	Three $\Phi$ Wye (4W + G)	175V/350V	20kA	600V	1200V	600V	1200V
DTK-DR480P4N	DTK-DR175M DTK-DR320M	277/480VAC	Three $\Phi$ Wye (4W + G)	175V/640V	20kA	1000V	1500V	600V	2000V
DTK-DR600P4N	DTK-DR275M DTK-DR420M	347/600VAC	Three $\Phi$ Wye (4W + G)	275V/840V	10kA	1500V	2000V	800V	2500V
DTK-DR690P4N	DTK-DR320M DTK-DR550M	400/690VAC	Three $\Phi$ Wye (4W + G)	320V/1100V	10kA	1500V	2500V	1000V	3000V



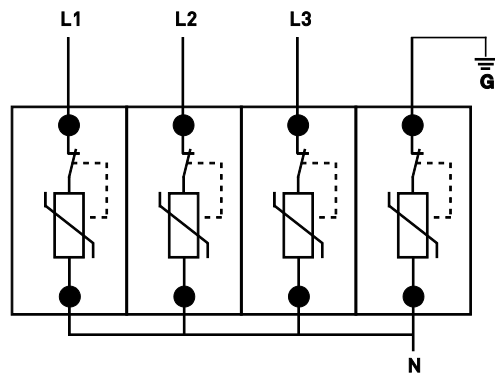
# DTK-DR Series

## 75kA DIN Rail Surge Protective Device

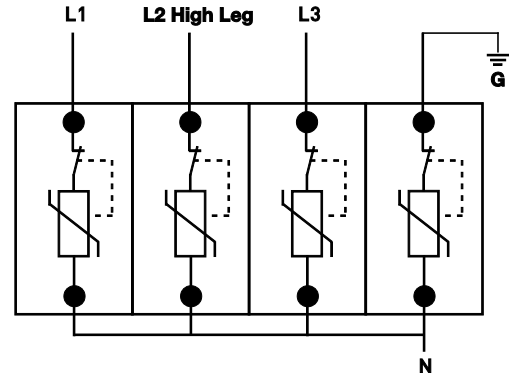
Part Number	Replacement Module	Service Voltage	Service Configuration	MCOV	UL In Rating	Voltage Protection Rating (VPR)			
						L-G	L-L	L-N	N-G
<b>4-POLE</b>									
<b>DTK-DR240P4N</b>	DTK-DR175M DTK-DR275M	120/240VAC	Three $\Phi$ Delta HL (4W + G)	175V/450V	20kA	1200V	600V	1500V	800V
<b>DTK-DR480P4HN</b>	DTK-DR175M DTK-DR275M DTK-DR550M	240/480VAC	Three $\Phi$ Delta HL (4W + G)	175V/825V	10kA	1500V	800V 600V	2500V2 000V	1500V



**3-Pole, 3-Phase Delta  
3-Phase WYE, 4-Wire**



**4-Pole, 3-Phase WYE  
5-Wire**



**4-Pole, 3-Phase Delta  
High Leg, 5-Wire**