



LOCK BOXES AND ACCESSORIES



STREAMLINED ACCESS FOR EMERGENCY AND POSTAL PERSONNEL

Postal and Fire Department Lock Boxes

- 1402 accepts Standard Postal Key
- 1401 Fire Dept Box accepts the Knox 3501 Key Switch
- 1400 accepts a Fire Dept Padlock or any Standard Padlock

Auxiliary Transformer Box

- Lockable Transformer Box
- Holds up to 4 20 VA Transformers
- Indoor or Outdoor Use

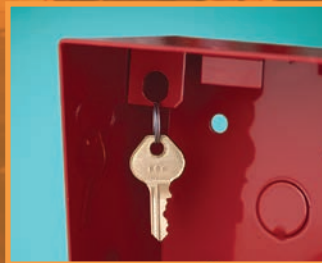
RESIDENTIAL • GATED COMMUNITIES • APARTMENT COMPLEXES • PARKING • CONDOMINIUM/RESIDENCE HALL • MIXED USE • COMMERCIAL • SELF STORAGE



Knox Pad Lock
fire department padlock box



Mounting
can be surface or post mounted

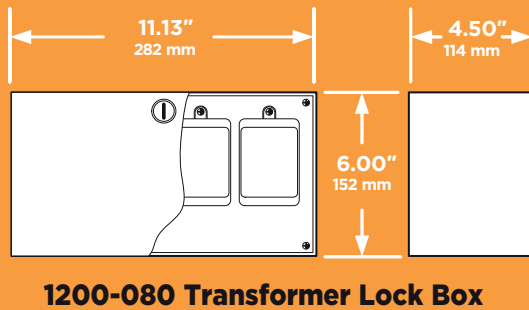
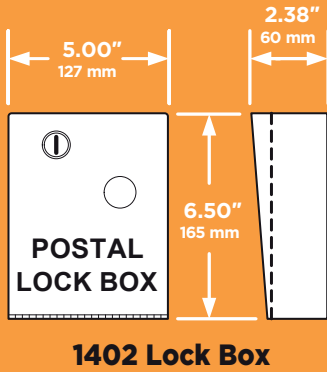
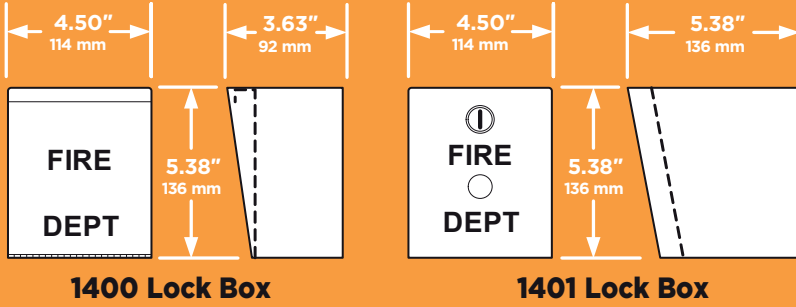


key Inside
box can store a key inside



Automatically
sends a command to the gate or door when padlock is removed and lock box opened

ACCESS CONTROL SOLUTIONS



TECHNICAL FEATURES

LOCK BOXES

1400

Access Door has a hole for a Standard Padlock and accepts Fire Department Padlock

Holds gate open until door is closed and lock is replaced

Ample room inside for additional Access Control Devices or Keys

Blank label inside door provides space for written instructions

14-Gauge Steel painted bright red

Built-In Micro-Switch for Gate / Door activation

1401

Designed to accept the Knox 3501 Key Switch used by Fire Departments throughout the country

Ample room inside for additional Access Control Devices or Keys

14-Gauge Steel

Faceplate is painted bright red, Enclosure is painted black

1402

Designed to accept the Standard Postal Key Lock

Postal Lock can be installed so that it activates a gate or door; or can be installed to open the Access Door of the 1402 to obtain an Access Control Device or Keys

14-Gauge Steel painted postal blue

Built-In Micro-Switch for Gate / Door activation

Mounting: Lock Boxes can be Surface or Post Mount

AUXILIARY TRANSFORMER BOX

1200-080

Lockable Transformer Box

Holds up to 4 20 VA Transformers

Indoor or outdoor use

ETL Listed



Lock Boxes



Transformer

DoorKing[®], Inc.

Access Control Solutions since 1948

120 S. Glasgow Avenue,
Inglewood, California 90301 U.S.A.
Tel: 310-645-0023 FAX: 310-641-1586
www.doorking.com



© 2021 All Rights Reserved.
Product specifications may
change without notice. Rev. 5/21

MEMBER:



DISTRIBUTED BY:

