

3-PIECE ALUMINUM ARM KIT

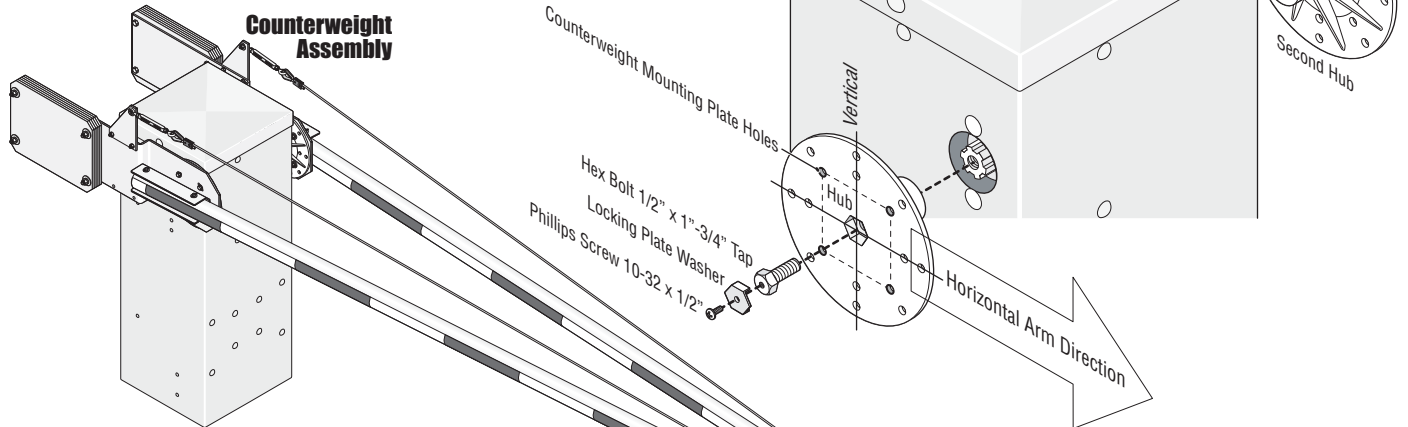
DoorKing Part Numbers

1602-162 20 ft Arms
1602-164 24 ft Arms
1602-166 27 ft Arms

These kits are designed for the 1602 model barrier gate operator **ONLY**.

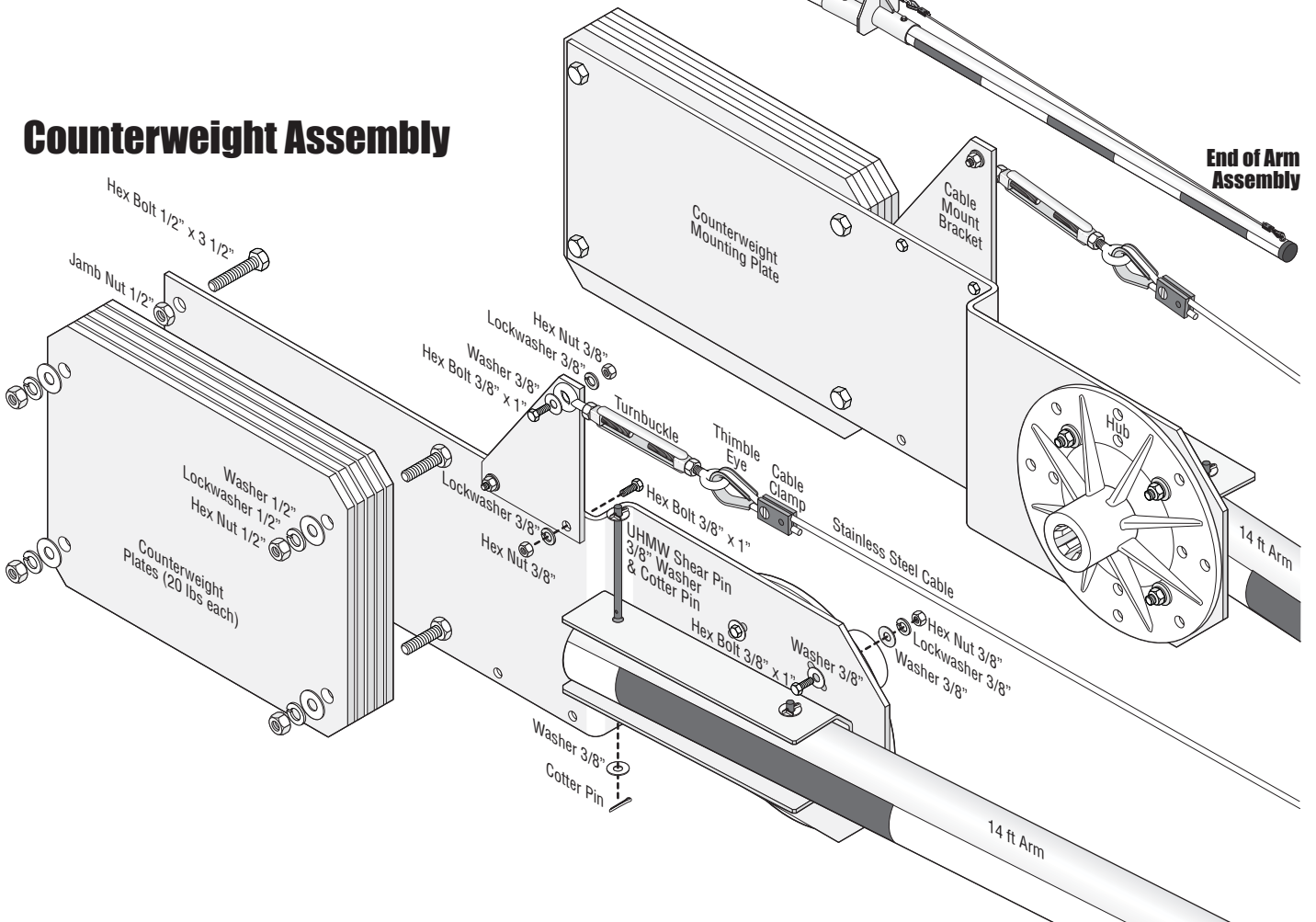
Installation

Mount hubs on operator **FIRST**. Test hubs **UP** and **DOWN** positions **BEFORE** installing counterweight mounting plates. Then assemble arms, cables and counterweights.



Support arms during assembly until all cables have been installed, adjusted for level and all counterweight plates have been bolted on.

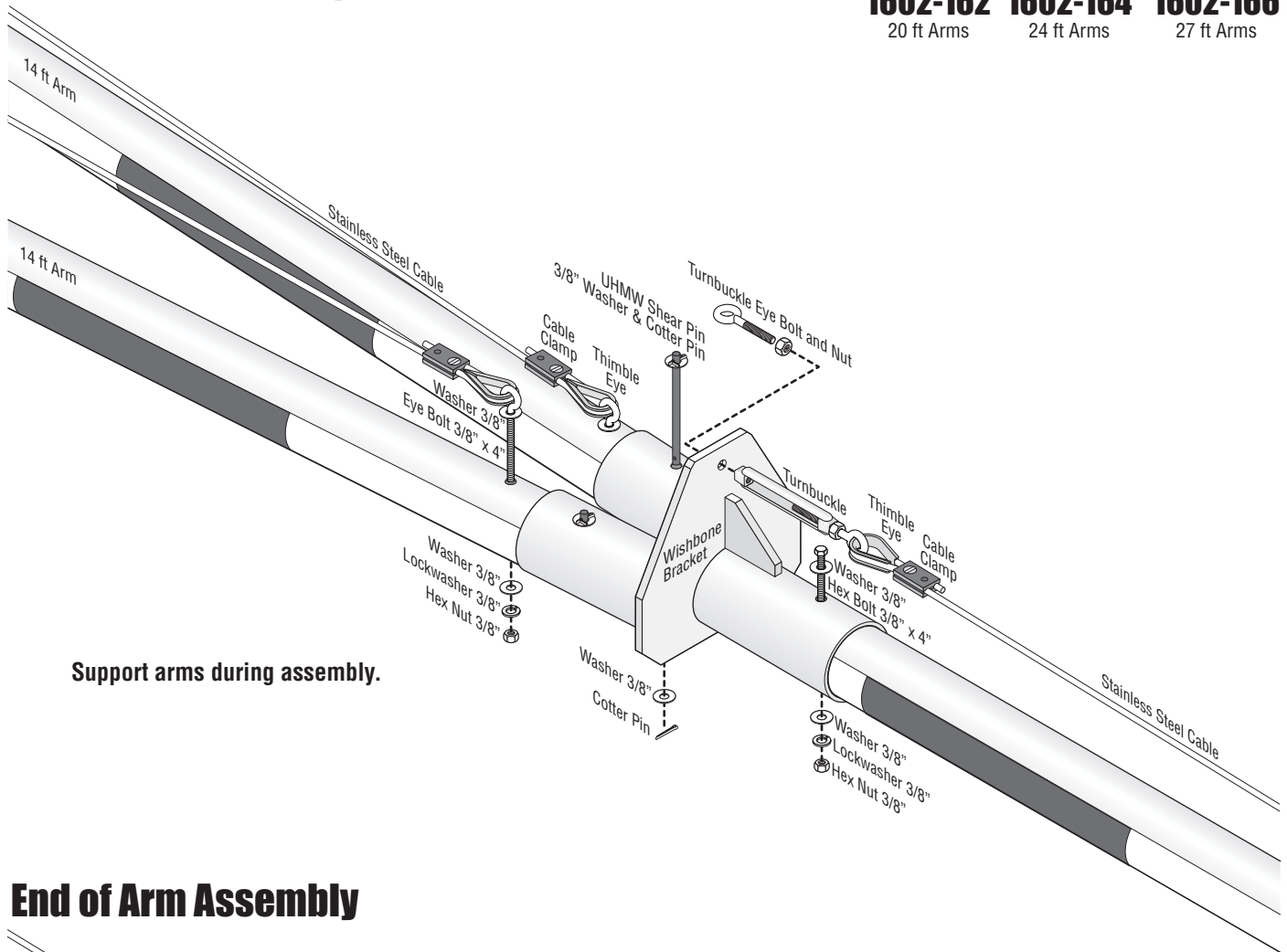
Counterweight Assembly



Wishbone Assembly

DoorKing Part Numbers

1602-162 20 ft Arms
1602-164 24 ft Arms
1602-166 27 ft Arms



Support arms during assembly.

End of Arm Assembly

Adjust **ALL** cables with turnbuckles to make the arms level.

