

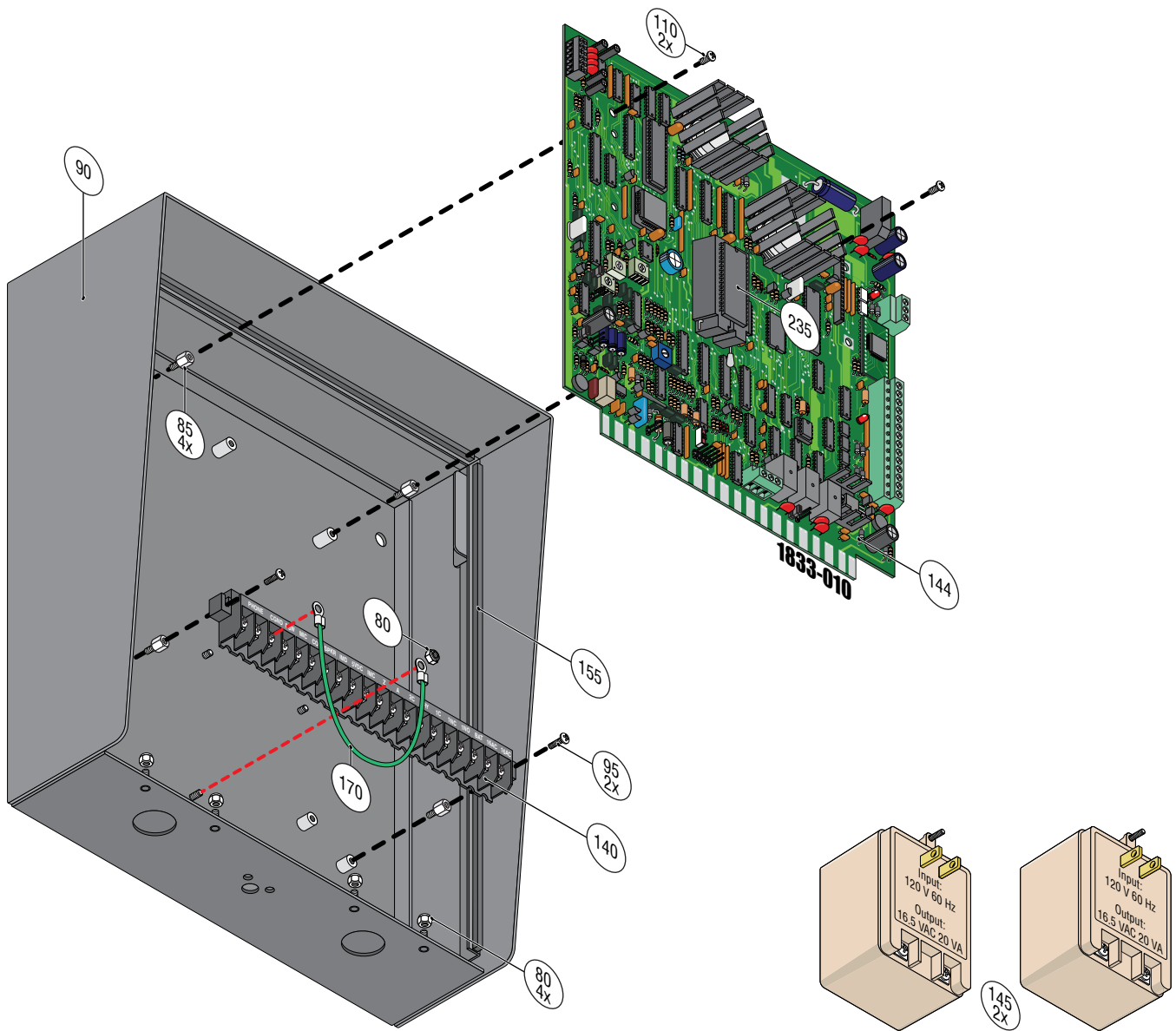
# ILLUSTRATED PARTS BREAKDOWN - IPB

## Bill of Materials - BOM

**1833 Surface Mount**  
**1833-080 Stainless Steel, 1833-081 Gold Plated**

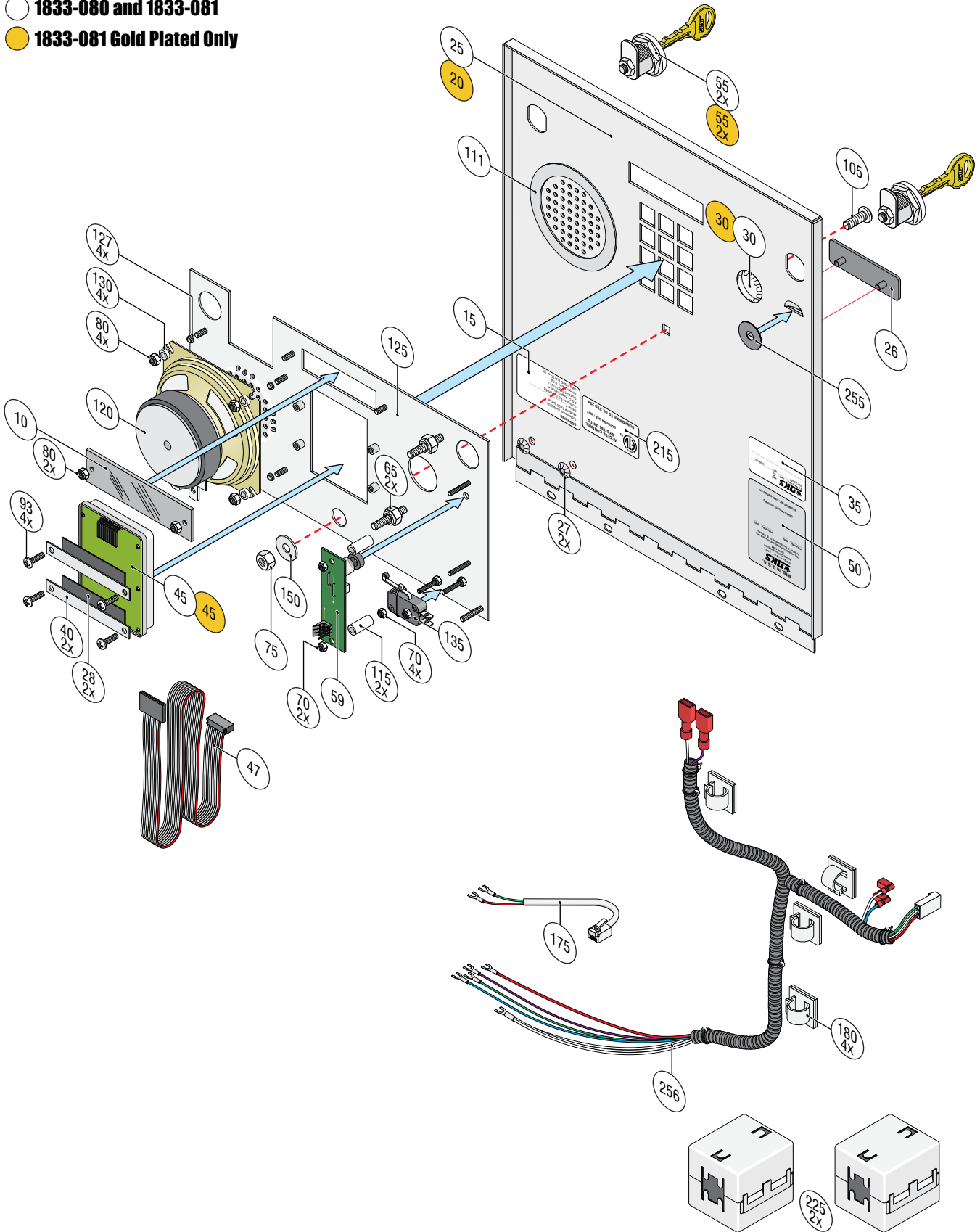
Item	Part Number	Quantity	UM	Description
10	1804-007	1	EA	Cover Plastic - Small Gray
15	1804-023	1	EA	Decal FCC
20	1803-056	1	EA	1833-081 only Faceplate Phone Gold
25	1803-053	1	EA	Faceplate Phone
26	2600-734	1	EA	Nameplate Plastic DKS Small
27	2802-040	2	EA	Washer Push on Clamp
28	1897-050	2	EA	Gasket Support Thick 1/16"
30	1804-042	1	EA	Hole Plug
30	1804-044	1	EA	1833-081 only Hole Plug - Gold
35	1400-009	1	EA	Decal Identification
40	1804-039	2	EA	Retaining Strip Keypad
45	1895-017	1	EA	Keypad 10 Pin Numbers Header
45	1895-018	1	EA	1833-081 only Keypad Alph/Num Header Gold
47	1804-038	1	EA	Wire Ribbon Cable Assy 10 Cond
50	2599-008	1	EA	Label Patent
55	4001-035	2	EA	Lock N16058BDxSFx2K Key 16120
55	4001-036	2	EA	1833-081 only Lock Gold N16058BDxSFx2K
59	1998-010	1	EA	PCB Microphone Short, SMT
65	2902-006	2	EA	Nut Nylon Lock 10-32
70	2902-002	6	EA	Nut Nylon Lock 4-40
75	2620-411	1	EA	Nut Hex Flange Lock 5/16-18
80	2902-003	11	EA	Nut Nylon Lock 6-32
85	2900-928	4	EA	Standoff Stel Male/Female 1/4"
90	1810-100	1	EA	Box Phone
93	2616-000	4	EA	Screw Phillips Head 6-32 x 1/4"
95	2905-003	2	EA	Screw Round Head 6-32 x 1/2"
105	2615-663	1	EA	Bolt Carriage SS 5/16"x18x3/4"
110	2905-001	2	EA	Screw Round Head 6-32 x 1/4"
111	1804-196	1	EA	Speaker Gasket 1/16" thick
115	3002-004	2	EA	Spacer Nylon 6 x 7/16"
120	1804-290	1	EA	Speaker Assembly
125	1804-027	1	EA	Subplate Phone
127	1860-126	4	EA	Washer Nylon Shoulder
130	1860-032	4	EA	Washer Nylon Retaining #6
135	1804-024	1	EA	Switch Micro No NC C
140	1814-049	1	EA	Terminal 20 Pin
144	1833-010	1	EA	PCB Modem Prog/No Dsp Phone
145	1804-060	2	EA	Transformer 16.5 VAC 20VA plug
150	2620-028	1	EA	Washer 5/16" USS
155	1800-018	2.41	FT	Weather Strip .125"x .187"
170	7082-059	1	EA	Wire 8.5" Green 18 AWG Strd
175	1804-040	1	EA	Wire Telephone Line Cord
180	1804-028	4	EA	Mount Wire Clip
205	1815-025	1	EA	Remote Program Pac Windows
210	1835-065	1	EA	Manual - Owner's
	1835-066	1	EA	Manual - User's
215	2600-884	1	EA	Label E.T.L. Separable
225	1876-025	2	EA	Ferrite Snap-on Filter Steward
235	1835-147	1	EA	Memory 3000 Phone Card APB
255	1897-053	1	EA	Gasket, Microphone
256		1	EA	Wire Harness 1833 Front Panel

# 1833 Surface Mount - Enclosure



# 1833 Surface Mount - Faceplate

- 1833-080 and 1833-081
- 1833-081 Gold Plated Only



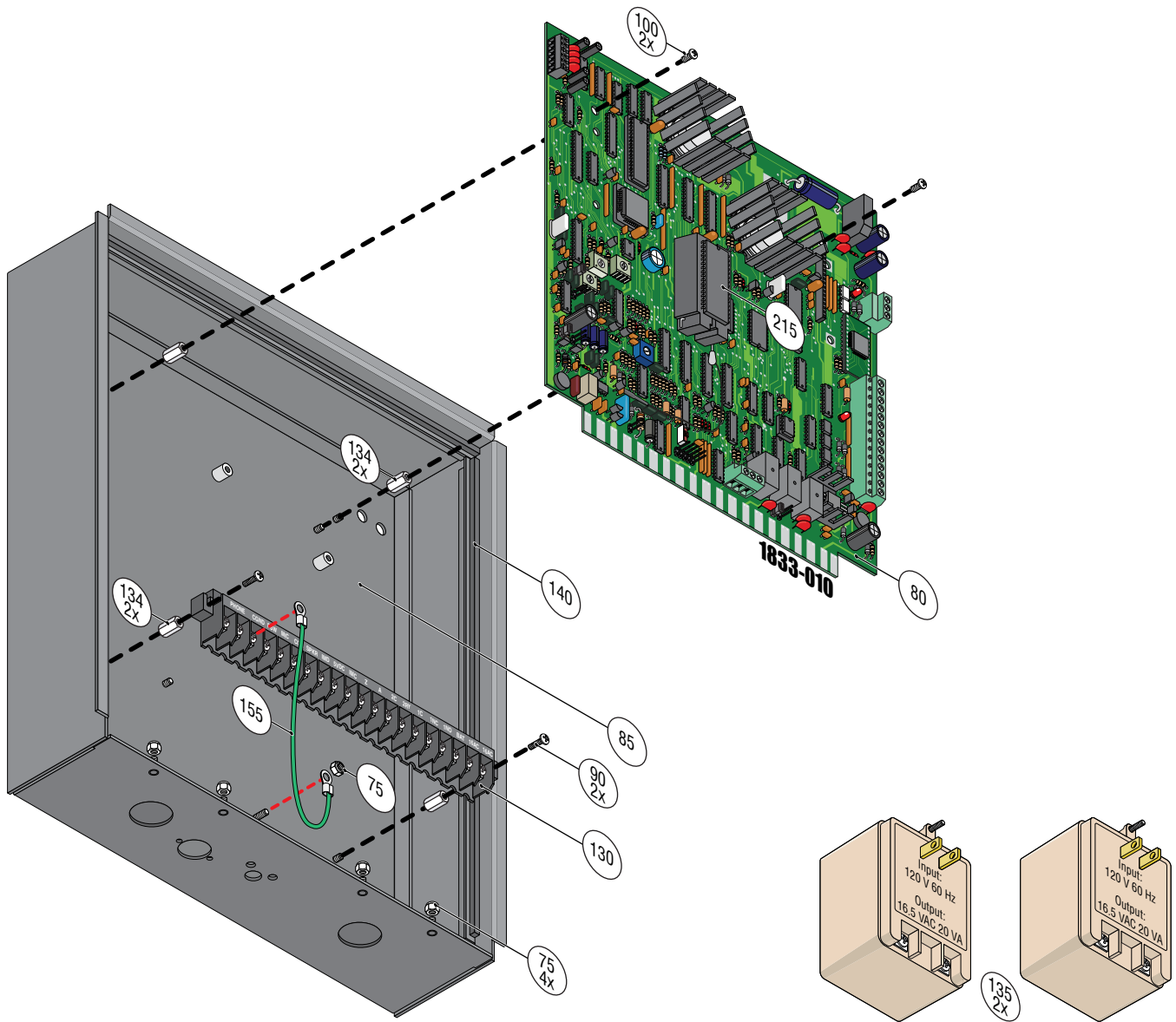
# ILLUSTRATED PARTS BREAKDOWN - IPB

## Bill of Materials - BOM

**1833 Flush Mount**  
**1833-084 Stainless Steel, 1833-085 Gold Plated**

Item	Part Number	Quantity	UM	Description
10	1804-007	1	EA	Cover Plastic - Small Gray
15	1804-023	1	EA	Decal FCC
21	1803-057	1	EA	1833-085 only Faceplate Phone Flush Gold
22	1804-044	1	EA	1833-085 only Hole Plug - Gold
25	1803-052	1	EA	Faceplate Phone
26	2600-734	1	EA	Nameplate Plastic DKS Small
27	2802-040	2	EA	Washer Push on Clamp
28	1897-050	2	EA	Gasket Support Thick 1/16"
30	1804-042	1	EA	Hole Plug
35	1400-009	1	EA	Decal Identification
35	1895-018	1	EA	1833-085 only Keypad Alph/Num Header Gold
40	1804-039	2	EA	Retaining Strip Keypad
45	1895-017	1	EA	Keypad 10 Pin Numbers Header
45	4001-036	2	EA	1833-085 only Lock Gold N16058BDxSFx2K
47	1804-038	1	EA	Wire Ribbon Cable Assy 10 Cond
50	2599-008	1	EA	Label Patent
55	4001-035	2	EA	Lock N16058BDxSFx2K Key 16120
57	1998-010	1	EA	PCB Microphone Short, SMT
65	2902-006	2	EA	Nut Nylon Lock 10-32
70	2902-002	6	EA	Nut Nylon Lock 4-40
75	2902-003	17	EA	Nut Nylon Lock 6-32
80	1833-010	1	EA	PCB Modem Prog/No Dsp Phone
85	1814-101	1	EA	Box Phone Flush
90	2905-003	2	EA	Screw Round Head 6-32 x 1/2"
100	2905-001	2	EA	Screw Round Head 6-32 x 1/4"
105	3002-004	2	EA	Spacer Nylon 6 x 7/16"
110	1804-290	1	EA	Speaker Assembly
111	1804-196	1	EA	Speaker Gasket 1/16" thick
120	1814-034	1	EA	Subplate Phone
125	1804-024	1	EA	Switch Micro No NC C
127	1860-126	4	EA	Washer Nylon Shoulder
130	1860-032	4	EA	Washer Nylon Retaining #6
130	1814-049	1	EA	Terminal 20 Pin
134	2900-905	4	EA	Standoff Aluminum 7/16" 6-32
135	1804-060	2	EA	Transformer 16.5 VAC 20VA plug
140	1800-018	2.91	FT	Weather Strip .125"x .187"
160	1804-040	1	EA	Wire Telephone Line Cord
165	1804-028	3	EA	Mount Wire Clip
180	3002-021	4	EA	Spacer Nylon 6 x 3/8"
185	1815-025	1	EA	Remote Program Pac Windows
190	1835-065	1	EA	Manual - Owner's
195	2600-884	1	EA	Label E.T.L. Separable
205	1876-025	2	EA	Ferrite Snap-on Filter Steward
215	1835-147	1	EA	Memory 3000 Phone Card APB
255	1897-053	1	EA	Gasket, Microphone
256		1	EA	Wire Harness 1833 Front Panel

# 1833 Flush Mount - Enclosure



# 1833 Flush Mount - Faceplate

- 1833-084 and 1833-085
- 1833-085 Gold Plated Only

