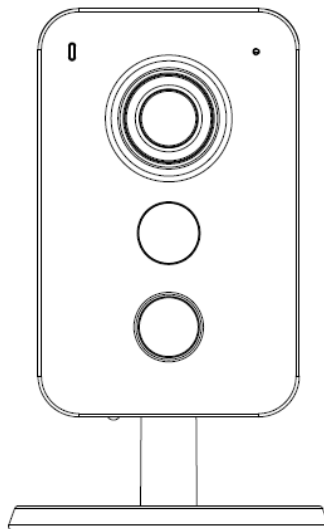




**Quick Start Guide**  
**HD Wi-Fi Indoor Cube**  
**Model ID: EN-CCUC-001a**



**V 1.0.1**

## Information for Users on Collection and Disposal of Old Equipment and used Batteries within the European Union



These symbols on the product's, packaging or accompanying documents indicate that used electrical and electronic products and batteries should not be disposed together with household waste.

For more information about collection and recycling of old products and batteries, please contact your dealer, point of sale or local municipality. In

accordance with national legislation, penalties may be applicable for incorrect disposal of this waste.

### Information for disposal in Countries outside the European Union

This symbol is only applicable in the European Union. When discarding these items please contact your dealer or local authorities for further information regarding the correct method of disposal.

Eagle Eye Networks declares that this equipment is in compliance with the essential requirements and relevant provisions of the following directives:

Electromagnetic Compatibility (EMC)	Directive 2014/30/EU
Low voltage (LVD)	Directive 2014/35/EU
Radio equipment (RED)	Directive 2014/53/EU

This device complies with Part 15 off the FCC Rules for a class B digital device. Operation is subject to the following two conditions: (1) This device must not cause harmful interference, and (2) This device must accept any interference received, including interference that may cause undesired operation.

Declarations of Conformity for the relevant products described in this manual are available by sending a written request to:

Eagle Eye Networks B.V.  
Hogehilweg 19  
1101 CB, Amsterdam  
The Netherlands



#### Note:

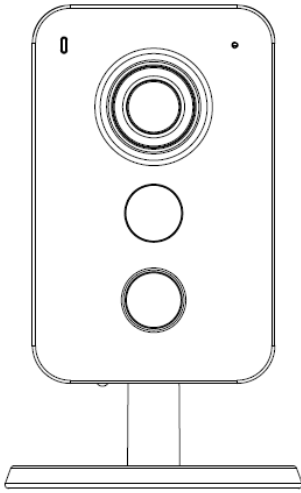
- This quick start guide is for reference only.
- All designs shown are subject to change without prior written notice.
- All trademarks and registered trademarks mentioned are the properties of their respective owners.
- Please visit our website [www.een.com](http://www.een.com) or contact your local service engineer for further information.

# 1

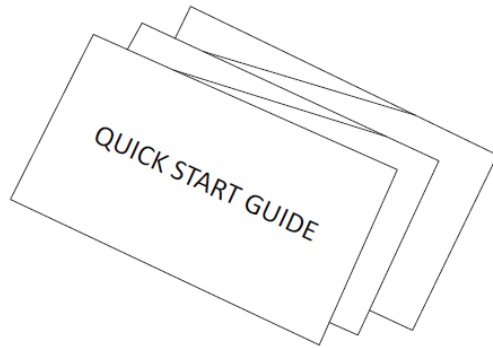
## Technical Specifications

<b>Video</b>	
Pixels	3 Megapixel
Max Resolutions	1920 x 1080 / 25fps, 2048 x 1536 / 20fps
Lens	2.8mm
Night Vision	IR LED with 10m range (33ft)
Field of View	H: 100 deg; V: 54.5 deg
Dynamic Range	Wide Dynamic Range, Highlight Compensation, Backlight Compensation
Digital Noise Reduction	Yes
Digital Image Stabilization	Automatic
Applications	Best for monitoring indoor areas: hallways, entrances & rooms
Image Sensor	1/3" progressive scan CMOS
Iris	Fixed
Shutter Speed	1/3s to 1/30000s
Min Illumination	Color 0.78 / F2.0; IR 0Lux / F2.0
<b>Digital Capabilities</b>	
Video Compression	H.264, MJPEG
Audio Compression	G.711a: G.711Mu: AAC
Image Settings	Rotation, Saturation, Brightness, Contrast, Sharpness
<b>Interface</b>	
Edge Storage	Micro SD Slot, Max 128GB
Ethernet	RJ-45 Male 10/100 Base-T
Wifi	IEEE802.11b/g/n
Audio	Microphone & Speaker
<b>Physical/Power</b>	
Power	DC12V
Power Consumption	3W IR Off , <4.85 IR On
Operating Temperature	-10°C to +45°C
Operating Humidity	< 95% RH
Approvals	CE, FCC
Dimensions	Φ78.5×127.8 mm
Weight	310 gram
Housing	Plastic with Locking Ball Aimable Mount

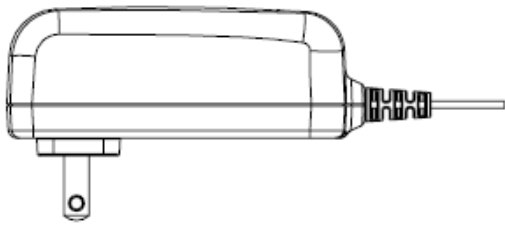
# 2 Packing List



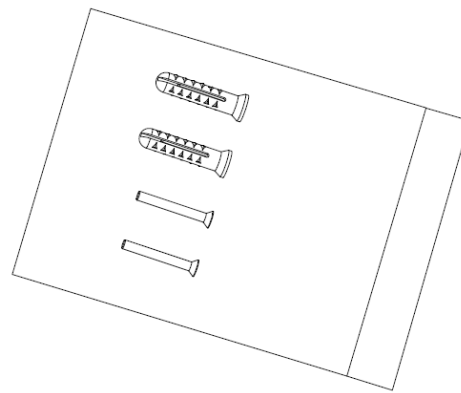
Device × 1



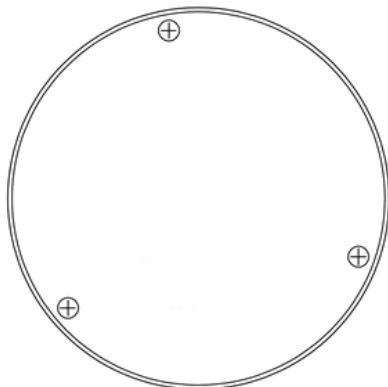
QSG × 1



Power Adapter × 1



Screw Package × 1



Installation Position Map × 1

# 3

## Product Appearance

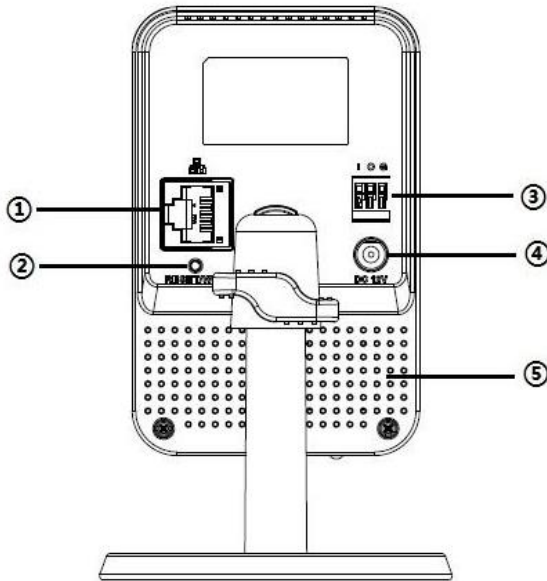


Figure 3-1

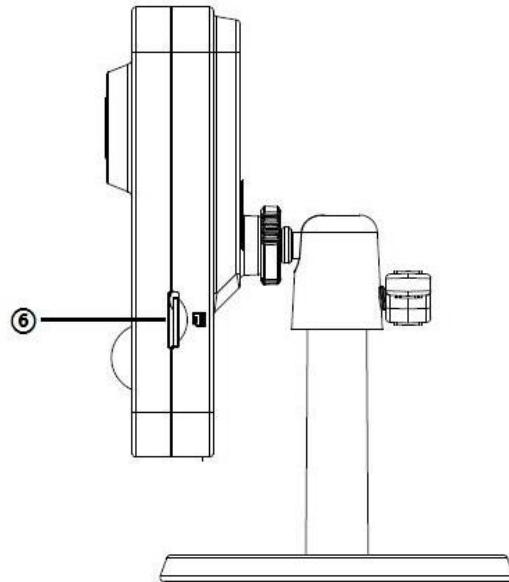


Figure 3-2

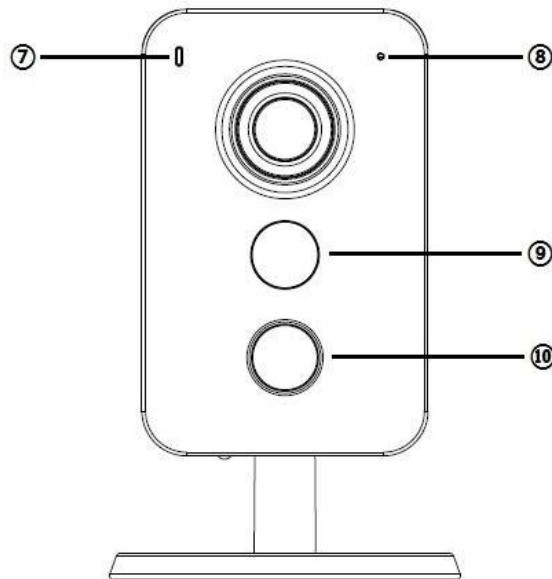


Figure 3-3

Please refer to the following sheet for more details about each port

SN	Name
1	Ethernet port (Wireless connection also available)
2	Reset/WPS button (Wi-Fi Protected Setup)
3	Digital input/output
4	Power port
5	Speaker
6	Micro SD card slot
7	Indicator light
8	Microphone
9	IR LED
10	Passive IR ( Sense IR ray, trigger alarm )

Sheet 3-1

**Note:**

For reset, press and hold for 8 seconds until the light turns off; For WPS (Wi-Fi Protected Setup) one quick press.

Please refer to the following sheet for more details about the status of the indicator light.

Indicator light status	Device status
Red light on	Booting
Green light slowly flashing	Booting completed, awaiting Wi-Fi config
Green light quickly flashing	Wi-Fi smart config in progress, including WPS, management frame, etc.
Green light on	Wi-Fi connection succeeded, operating normally
Red and green lights alternating	Device upgrading
Red light slowly flashing	Network disconnection
Red light quickly flashing	Device failed to boot up; alarm or SD card does not work

Sheet 3-2

# 4 Device Installation

## Important

Before the installation, please make sure the installation environment can support at least 3 x weight (0.31Kg (0.68lb)) of the camera. See data sheet for further information.

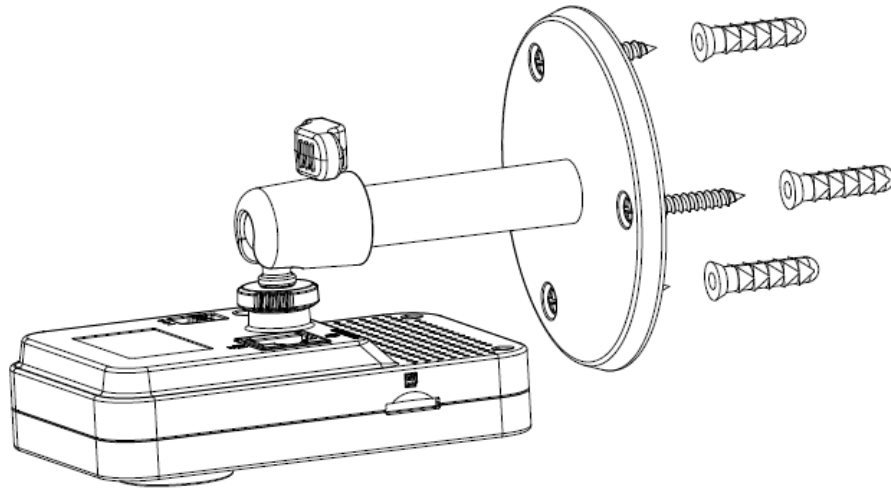


Figure 4-1

1. Paste the installation map on the installation surface.
2. Drill holes in the installation surface according to the installation map.
3. Insert the expansion bolts from the accessories bag to the prepared holes.
4. Attach the device with screws provided in the accessories bag.
5. Connect the cable and then boot up the device.
6. Loosen the adjust knob and adjust the camera to the required surveillance position.
7. Secure the knob of the bracket to fix the camera.

# Regulatory Information

---

The regulatory information herein might vary according to the model you purchased. Some information is only applicable for the country or region where the product is sold.

## FCC Information



CAUTION

Changes or modifications not expressly approved by the party responsible for compliance could void the user's authority to operate the equipment.

### FCC conditions:

This device complies with part 15 of the FCC Rules. Operation is subject to the following two conditions:

- This device may not cause harmful interference.
- This device must accept any interference received, including interference that may cause undesired operation.

### FCC compliance:

This equipment has been tested and found to comply with the limits for a digital device, pursuant to part 15 of the FCC Rules. This equipment generates, uses, and can radiate radio frequency energy and, if not installed and used in accordance with the instructions, may cause harmful interference to radio communication.

- For class A device, these limits are designed to provide reasonable protection against harmful interference in a commercial environment. Operation of this equipment in a residential area is likely to cause harmful interference in which case the user will be required to correct the interference at his own expense.

- ✔ For class B device, these limits are designed to provide reasonable protection against harmful interference in a residential installation. However, there is no guarantee that interference will not occur in a particular installation. If this equipment does cause harmful interference to radio or television reception, which can be determined by turning the equipment off and on, the user is encouraged to try to correct the interference by one or more of the following measures:



- Reorient or relocate the receiving antenna.
- Increase the separation between the equipment and receiver.
- Connect the equipment into an outlet on a circuit different from that to which the receiver is connected.
- Consult the dealer or an experienced radio/TV technician for help.

This equipment should be installed and operated with a minimum distance 20cm between the radiator and your body.

## **Battery Replacement and Disposal**

Applicable to products with battery.



**CAUTION**

Risk of explosion if battery is replaced by an incorrect type. Dispose of used batteries according to the instructions.

# **Privacy Protection Notice**

---

As the device user or data controller, you might collect personal data of others such as face, fingerprints, car plate number, Email address, phone number, GPS and so on. You need to be in compliance with the local privacy protection laws and regulations to protect the legitimate rights and interests of other people by implementing measures include but not limited to: providing clear and visible identification to inform data subject the existence of surveillance area and providing related contact.

1.2.51.32.13688-001

V1.0.1