

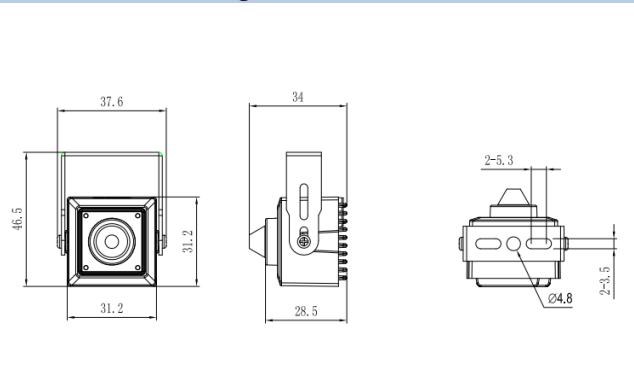


The Eagle Eye Camera DP01 is very small pinhole camera without any additional remote encoder or electronics box. This indoor 2MPixel camera provides a clear picture when installation requires a small space or less obtrusive design. The camera is fully integrated into the Eagle Eye Cloud VMS and Eagle Eye CameraManager.

## Key Features

- > 2 Mega Pixel
- > Small Compact size
- > Audio Input and Output
- > Digital Wide Dynamic Range
- > SD Card Storage Slot

## Dimension Drawing



## Camera

Pixels	2 Mega Pixel
Resolutions	1920x1080/1280x720 @50/60fps, D1/VGA/640x360/CIF/QVGA @25/30fps, VGA/CIF/QVGA @25/30fps
Lens	3.7mm pinhole
Aisle Mode	Yes
Field of View	84°
Dynamic Range	True WDR > 120dB
Digital Noise Reduction	2D/3D DNR with defog
Digital Image Stabilization	Automatic Anti-Shake
Applications	Best for non-obvious deployment. Used in ATMs and other applications with limited space.
Image Sensor	1/2.8" progressive scan CMOS
Iris	Fixed F2.0
Shutter Speed	1/5s to 1/20000s
Min Illumination	Color 0.001Lux B/W 0.0001Lux

## Digital Capabilities

Video Compression	H.265, H.264, and MJPEG
Audio Compression	G.711, RAW_PCM
Image Settings	Rotation, Saturation, Brightness, Contrast, Sharpness
Image	HLC / BLC

## Setup

Eagle Eye Cloud VMS	Preconfigured with secure password, plug and play
Camera Settings	Fully Integrated with Eagle Eye Cloud VMS
Cyber Secure	Eagle Eye Verified

## Interface

Ethernet	RJ-45 Female 10/100 Base-T
Audio	1Ch audio in, 1Ch audio out
Alarm	1Ch Output, 2Ch Input
Edge Storage	Micro SD/SDHC/SDXC slot, Max 128GB

## Physical/Power

Power	DC12V
Power Consumption	3W
Operating Temperature	-20°C to +50°C (working temperature)
Operating Humidity	0% - 90% RH
Waterproof	IP66
Approvals	CE/FCC
Dimensions	37.6mm x 46.5mm
Weight	180 grams
Housing	Metal

## Eagle Eye Part Numbers

EN-CDUP-001a	Eagle Eye Camera DP01 Pinhole 2Mpix, 3.7mm Lens, WDR, not POE, CameraManager
EN-RR01	Eagle Eye Camera Rapid Replacement