

ESAP212-IR/32X

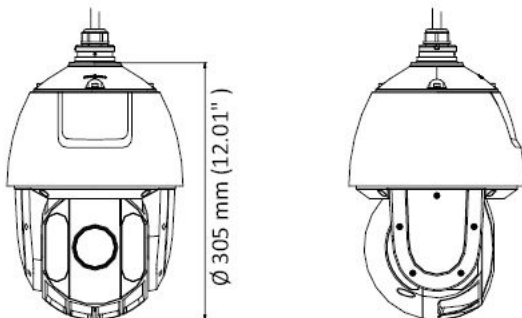
2MP IR TURBO 5-INCH SPEED DOME PTZ



Main Feature:

- 1/2.8" HD progressive scan CMOS
- 1920 × 1080 resolution
- 32× optical zoom, 16× digital zoom
- 120 dB true WDR (Wide Dynamic Range)
- Up to 150 m IR distance
- 3D intelligent positioning
- Switchable TVI/AHD/CVI/CVBS video outputs

Physical Interfaces:



Specification:

Model	ESAP212-IR/32X
Camera	
Image Sensor	1/2.8" progressive scan CMOS
Max. Image Resolution	1920 × 1080
Frame Rate	50Hz: 25fps @(1920 × 1080) 60Hz: 30fps @(1920 × 1080)
Min. Illumination	Color: 0.005 Lux @(F1.6, AGC ON) B/W: 0.001 Lux @(F1.6, AGC ON) 0 lux with IR
White Balance	AUTO/MANUAL/HAUTO/ATW/INDOOR/OUTDOOR
AGC	AUTO/MANUAL
DNR	3D DNR
WDR	≥ 120 dB
Shutter Time	PAL: 1/1 s to 1/10,000 s NTSC: 1/1 s to 1/10,000 s
Day & Night	IR cut filter
Digital Zoom	16×
Privacy Mask	8 programmable privacy masks
BLC (Backlight Compensation)	Yes
HLC (highlight Compensation)	Yes
EIS (Electric Image Stabilization)	Yes
Reginal Focus	Yes
Lens	
Focus Mode	Auto/Semiauto/Manual
Focal Length	4.8 mm to 153 mm, 32× optical
Aperture Range	F 1.2 to F 4.4
Field of View	Horizontal field of view: 55.6° to 2.04° (wide to tele) Vertical field of view: 32.4° to 1.14° (wide to tele) Diagonal field of view: 63° to 2.34° (wide to tele)
Min. Working Distance	10 mm to 1500 mm (wide to tele)
Zoom Speed	Approx. 5.6 s (optical, wide to tele)
Pan and Tilt	
Pan Range	360° endless
Pan Speed	Pan manual speed: 0.1° to 120°/s Pan preset speed: 120°/s
Tilt Range	-15° to 90° (auto flip)
Tilt Speed	Tilt manual speed: 0.1° to 80°/s Tilt preset speed: 80°/s
Proportional Zoom	Rotation speed can be adjusted automatically according to zoom multiples
Presets	256
Patrol	10 patrols, up to 32 presets per patrol
Pattern	5 patterns, with the total recording time no less than 10 minutes
Power-off Memory	Yes
Park Action	Preset/Patrol/Pattern/Pan Scan/Tilt Scan/Panorama Scan/Day Mode/Night Mode/None
PTZ Position Display	ON/OFF
Preset Freezing	Yes
Scheduled Task	Preset/Patrol/Pattern/Pan Scan/Tilt Scan/Panorama Scan/Day Mode/Night Mode/Zero Calibration/None
Infrared	
IR Distance	Up to 150 m
IR Intensity	Automatically adjusted depending on the zoom ratio
Input/Output	
Video Output	Switchable TVI/AHD/CVI/CVBS video output, (NTSC or PAL composite, BNC)
Alarm	2 alarm inputs, 1 alarm output
RS-485 Interface	Half-duplex mode Self-adaptive HIKVISION, Pelco-P, Pelco-D protocol
UTC function	UTC protocol (or HIKVISION-C protocol in previous DVR)
General	
Menu Language	English
Power	24 VAC Max. 30 W (IR:10 W)
Working Temperature	-30° C to 65° C (-22° F to 149° F)
Working Humidity	90% or less
Protection Level	IP66 standard (outdoor dome) TVS 4,000 V lightning protection, surge protection and voltage transient protection
Mounting	Various mounting modes optional