

IP-5IRD8E3428-L

8MP HD AI Turret Network Camera



With advanced deep learning algorithm, Titanium AI network camera supports some intelligent functions, such as perimeter protection, target counting, exception detection and face detection. It supports Micro SD card storage, dust-proof function and water-proof function, complying to the standard of IP67.



MODEL(S) AVAILABLE

IP-5IRD8E3428-L

KEY FEATURES

- ▶ Smart H.265/H.264 coding
- ▶ Max. resolution: 8MP (3840 × 2160)
- ▶ ICR auto switch, true day/night vision
- ▶ 3D DNR, true WDR, HLC, BLC and ROI coding
- ▶ 20 ~ 30 m IR night view distance
- ▶ 1 CH audio input; 1 CH built-in mic
- ▶ Built-in micro SD card slot, up to 256 GB
- ▶ DC 12 V/PoE power supply
- ▶ Support three streams
- ▶ P2P function optional
- ▶ IP67
- ▶ Support mobile surveillance by smart phones with iOS and Android OS
- ▶ Intelligent analytics

Product Specifications

Camera	
Image Sensor	1/2.8" 8MP CMOS
Image Resolution	3840(H) × 2160(V)
Electronic Shutter	1/25 s ~ 1/100,000 s
Minimum Illumination	0.01 lux @ F1.2, AGC ON; 0 lux with IR 0.02 lux @ F1.6, AGC ON; 0 lux with IR
Smart IR	-
IR Distance	Distance up to 98ft (30 m)
Lens Type	Fixed-focal
Iris Type	Fixed
Focal Length	2.8 mm
Lens Mount	M12
Angle of View	Horizontal: 109.7° ; Vertical: 77.2° ; Diagonal: 116.9°
Max. Aperture	F1.6
Pan / Tilt / Rotation	Pan:0° ~ 360°; Tilt:0° ~ 75°; Rotation:0° ~ 360°

Compression Standards	
Video Compression	H.265+ / H.264+ / H.265 / H.264 / MJPEG
Smart Codec	Smart H.265 / Smart H.264
Streaming Capability	3 Streams
Video Frame Rate (Main Stream)	60 Hz: 8MP/6MP @ 20 fps, 5MP/4MP/2K/3MP/1080P/720P @ 30 fps 50 Hz: 8MP/6MP @ 20 fps, 5MP/4MP/2K/3MP/1080P/720P @ 30 fps HFR mode (60 Hz): 1080P/720P @ 60 fps HFR mode (50 Hz): 1080P/720P @ 50 fps
Video Frame Rate (Sub Stream)	60 Hz: 720P/D1/CIF/480×240 @ 30 fps 50 Hz: 720P/D1/CIF/480×240 @ 25 fps
Video Frame Rate (Third Stream)	60 Hz: D1/CIF/480×240 @ 30 fps 50 Hz: D1/CIF/480×240 @ 25 fps
Video Resolution	8M (3840×2160) / 6M (3072×2048) / 4M (2688×1520) / 3M (2304×1296) / 1080P (1920×1080) / 1.3M (1280×960) / 720P (1280×720) / D1 (704×576 / 704×480) / VGA (640×480) / CIF(352×288/352×240)
Video Bitrate	64 Kbps ~ 12 Mbps
Video Bitrate Type	VBR / CBR

Image and Feature Support	
Day / Night	ICR
BLC Mode	Yes
HLC Mode	Yes
Digital Noise Reduction	3D DNR
Motion Detection	Yes
Electronic Image Stabilization	N/A
Defog	Yes
Digital Zoom	N/A
Flip	N/A
Mirror	N/A
Privacy Masking	N/A
Image Rotation	N/A
ROI	Each ROI to be configured separately

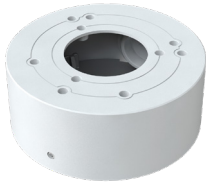
Image Settings	ROI, Saturation, Brightness, Chroma, Contrast, Wide Dynamic, Sharpen, NR, etc. adjustable through client software or web browser
IPC Alarm	N/A
Alarm Input	N/A
Alarm Output	N/A
Audio Compression	G711A/U

Intelligent and Functions	
AI Perimeter Protection	Line crossing, region entrance/exiting/intrusion (human/motor vehicle/non-motor vehicle classification)
Target Counting	Line crossing human/motor vehicle/non-motor vehicle counting
Exception Detection	Scene change, video blur and video color cast detection
Face Detection	Face detection and face capture

Network & Interface	
Ethernet	RJ-45
Network Protocol	UDP, IPv4, IPv6, DHCP, NTP, RTSP, RTP, RTCP, ICMP, IGMP, PPPoE, DDNS, SMTP, FTP, SNMP, HTTP, 802.1x, UPnP, HTTPs, QoS
Network Interoperability	ONVIF
Streaming Method	N/A
Network Max. Users	10
Storage	Built-in Micro SD Card (support max. 256 GB)
Video Output	N/A
General Function	Watermark, IP address filtering, video mask, heartbeat, password protection, image distortion correction, etc.
Audio Interface	1/1
Built-in MIC	Yes
RS485	N/A
Reset Button	Yes

General	
Power Supply	DC 12 V / PoE
Power Consumption	< 9 W
Operating Temperature	-30 ~ 60°C (-22 ~ 140°F) / Less than 95% RH
Ingress Protection	IP67
Casing	-
Dimensions	φ94.6 mm × 82.8 mm (φ3.72" × 3.26")
Net Weight	460 g (1.01 lb)
Installation	Ceiling mounting; Wall mounting
Certificate	CE, FCC
Environmental Protection	Complies with Directive EU RoHS, WEEE(2012/19/EU), directive 94/62/EC and REACH(EC1907/2006)

Product Accessories

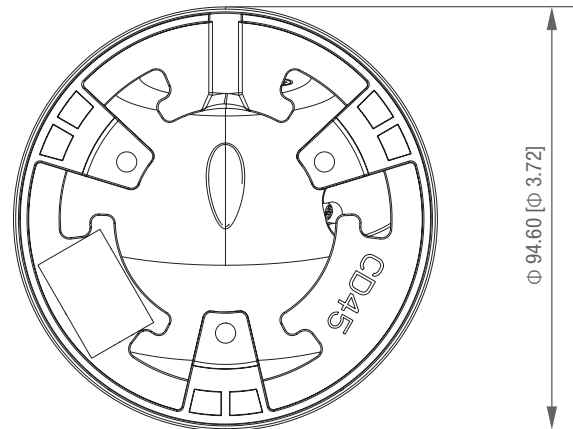
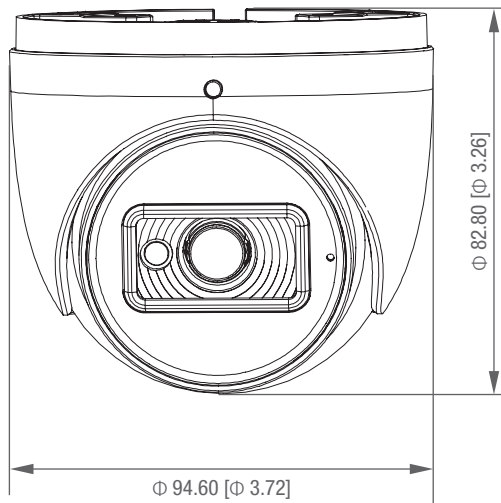


B8-W



BRACKET11-W

Product Dimensions (mm [inch])



Plainview, NY
50 Commercial St., Plainview, NY 11803
Tel: 516-870-3779

Downtown LA, CA
1113 Venice Blvd., Los Angeles, CA 90015
Tel: 213-218-2260

Miami, FL
1604 NW 84 Ave., Doral, FL 33126
Tel: 786-410-6777

College Point, NY
129-04 14th Ave., College Point, NY 11356
Tel: 718-939-2710

San Francisco, CA
41324 Christy St., San Francisco, CA 94538
Tel: 510-584-9007

Chicago, IL
873 Cambridge Dr., Elk Grove Village, IL 60007
Tel: 847-584-2227

Brooklyn, NY
9017 5th Ave., Brooklyn, NY 11209
Tel: 347-507-5533

Houston, TX
1720 Townhurst Dr., Houston, TX 77043
Tel: 430-702-0999

Las Vegas, NV
6671 S Las Vegas Blvd. #210, Las Vegas, NV 89119
Tel: 702-706-5559

City of Industry, CA
525 Parriott Pl., City of Industry, CA 91745
Tel: 626-961-8999

Dallas, TX
12901 Valley Branch Ln., Farmers Branch, TX 75234
Tel: 972-996-1600