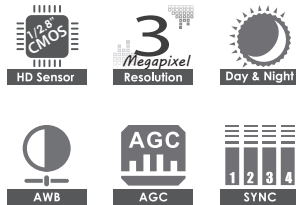


IP-5PT96E2-20X-IN

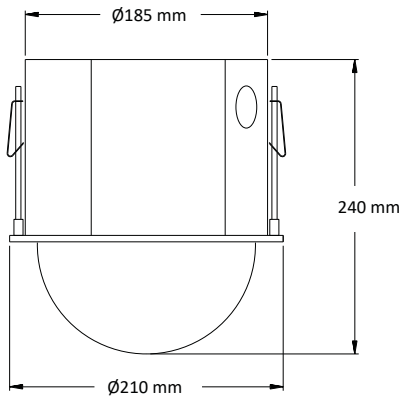
H.265 3MP 20X Optical Zoom Indoor PTZ Camera



Key Features

- 1 / 2.8" Progressive Scan CMOS
- 3MP (2048 × 1536) Resolution
- 20X (5.5~110mm) Optical Zoom
- 3MP @ 30fps
- Alarm I/O: 4 / 1CH
- microSD Slot, supports manual recording
- DC 24V, IP66

Dimensions



Specifications

Model	IP-5PT96E2-20X-IN
Camera Module	
Image Sensor	1 / 2.8" Progressive Scan CMOS
Effective Pixels	3Mega
White Balance	Auto / Manual
AGC	Auto / Manual
3D DNR	Yes
Lens	
Focal Length	5.5 ~ 110 mm
Function	
Pan Range	360° endless rotation
Pan Speed	Manual control speed: 0.1° ~ 120°/s; preset speed: 360°/s
Tilt Range	0 ~ 90°
Tilt Speed	Manual control speed: 0.1° ~ 90°/s; preset speed: 360°/s
Zoom	Yes
Preset	255 presets
Cruise	8 cruises, 16 presets for each cruise
Scan	2 scans
Track	4 tracks, 3 minutes' recording for each track
Time Task	Yes
Home Position	Yes
Power Off Memory	Yes
Network	
Max Image Size	2048 × 1536
Resolution	Main stream : 2048 × 1536, 1920 × 1080, 1280 × 720 Sub stream : 704 × 576, 352 × 288 Third stream : 480 × 240, 352 × 288, 704 × 576
Video Compression	H.265 / H.264 / MJPEG
Video Compression Protocol	G.711A / G.711U
Network Protocol	TCP / IP, UDP, DHCP, UPnP, DDNS, NTP, RTSP, SMTP, FTP, PPPoE, IPv4
Preview Video channels	Max 10 CH
System Integration	
Alarm Input	4 CH (5 ~ 12V DC)
Alarm Output	1 CH, support alarm trigger (preset, snap, FTP upload and email trigger)
Network Interface	Built-in RJ45 network port, support 10M / 100M network data
SD Card Interface	Built-in Micro SD card slot, support manual recording
API	API, SDK, ONVIF, GB / T28181
Web Client	Web 4.0
General Specifications	
OSD Menu	Chinese / English
Power Supply	DC 24V 3000 mA (9W, max 30W)
Working Environment	-20 ~ 40 C ; humidity: less than 90%
Protection Level	TVS6000V lightning protection, surge protection