

GV-EV48 Elevator Controller

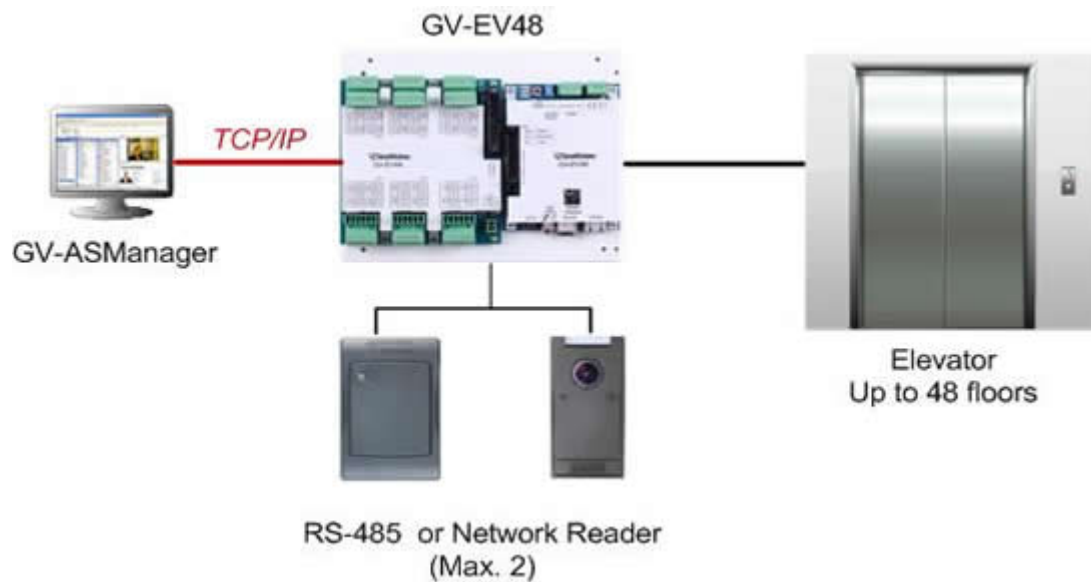


Introduction

GV-EV48 is an elevator controller designed to control access of 1 elevator with a maximum of 48 floors. Up to 2 GV-Readers / GV-GF Fingerprint Readers can be connected to GV-EV48 using RS-485 connection and network connection. GV-EV48 can recognize identification cards and grant access to the authorized floors only.

Key Features

- Grant access to specific elevator floors using access cards, card's PIN code or fingerprint
- GV-EV48 – 24 Floors: Built-in 24 relay outputs to support up to 24 elevator floors
- GV-EV48 – 48 Floors: Built-in 48 relay outputs to support up to 48 elevator floors
- Support up to 2 GV-Readers / GV-GF Fingerprint Readers through network connection and RS-485 connection



- Specifications

System Requirements		
GV-ASManager Version	GV-ASManager V4.1 or later	
Hardware		
CPU	32-bit ARM7TDMI	
Number of User Cards	40,000 cards	
Event Buffer	1,000,000 events and log data	
Power	AC 100~250 V , 50~60Hz	
RS-485 Interface	1 RS-485 interface only for GV-Readers and GV-GF Fingerprint Readers (max. 2 readers)	
Communication	TCP/IP	
Output	GV-EV48-24 Floors	24 relay outputs (30VDC, 1A; 125V AC, 0.3A)
	GV-EV48-48 Floors	48 relay outputs (30VDC, 1A; 125V AC, 0.3A)
Operating Temperature	0~65°C / 32 ~ 149°F	
Operating Humidity	10% ~ 90% RH (non-condensing)	
Dimensions (W x H x D)	210 x 170 x 55 mm (8.27 x 6.69 x 2.17 in)	
Weight	610 g (1.34 lb)	
Certification	CE, FCC, RoHS	

Note: Specifications are subject to change without notice.

Options

Optional devices can expand the capabilities and versatilities of your GV-EV Controllers. Consult your sales representative for more information.

GV-Reader 1251	GV-Reader 1251 is a card reader that uses a 125 kHz frequency. It has both Wiegand and RS-485 outputs that can be connected to any standard access control panel.
GV-Reader 1352 V2	GV-Reader 1351 V2 is a card reader that uses a 13.56 MHz frequency. It has both Wiegand and RS-485 outputs that can be connected to any standard access control panel.
GV-RK1352	GV-RK1352 is a card reader with keypad that uses a 13.56 MHz frequency. The reader has both Wiegand and RS-485 outputs that can be connected to any standard access control panel.
GV-R1352	GV-R1352 is a card reader that uses a 13.56 MHz frequency. The reader has both Wiegand and RS-485 outputs that can be connected to any standard access control panel.
GV-DFR1352	GV-DFR1352 is a card reader that uses a 13.56 MHz frequency. The reader has both Wiegand and RS-485 outputs that can be connected to any standard access control panel.
GV-GF Fingerprint Reader	The reader supports three operation modes: Fingerprint Only, Fingerprint + Card and Card Only. In Fingerprint Only mode, the fingerprints are enrolled through GV-ASManager. In Fingerprint + Card mode, the fingerprint templates are stored on the user card. In Card Only mode, the users only need to swipe the card to be granted access. Readers with optical and capacitance sensors are available.
GV-CR420	GV-CR420 is a card reader with a built-in 4MP wide angle IP camera. The card reader recognizes identification cards and transmits live view through network connection.
Cabinet	Only available for GV-AS400 / 410 / 810 and GV-EV48. With the cabinet, GV-AS Controllers can be mounted directly to a wall or recessed into the wall. Two types of cabinet dimensions are available (W x H x D): <ul style="list-style-type: none"> • 383.5 x 443.5 x 112.2 mm / 15.1 x 17.5 x 4.4 in • 300 x 420 x 86 mm / 11.8 x 16.5 x 3.4 in
GV-AS ID Card & GV-AS ID Tag	GV-AS ID Cards and GV-AS ID Tags are ideal for business and residential environment, where access control is important for security reasons. 125 kHz and 13.56 MHz cards and tags are available.

Packing List

- GV-EV48 – 24 Floors / 48 Floors
- Power Adaptor 12V DC / 3A
- Power Cord
- Battery Cable
- Micro SD Card 2 GB
- GV-ASManager Software DVD