



The 1600 Series is also available in a **Complete One Box Solution**

# 1600 Series

## The dynamic, low profile solution for latchbolts and deadbolts

Shown with 1N faceplate

**The HES 1600 Series electric strike accommodates up to a 1" deadbolt with enhanced vertical cavity spacing and will accommodate every brand of cylindrical or mortise lock designed to work with a 4-7/8" strike plate.**

The HES 1500 and 1600 Series Electric Strikes set a new standard in the industry by offering dynamic integrated adjustability and field configurable options compatible with any cylindrical or mortise lock. The modular design of the platform makes stocking and installing easier with interchangeable faceplates and accessories. For the first time, the aesthetics of an electric strike are complementary to other surrounding door hardware and blend in with the opening due to the fully finished design, available in seven finishes.

### Specifications

- UL 10C fire-rated, 3 hour single door (fail secure only)
- UL 10C fire-rated, 1-1/2 hour double door
- CAN/ULC-S104 fire door conformant
- ANSI/SDI A250.13 windstorm resistant
- ANSI-ASTM E330
- Florida Building Code approved TAS 201, 202, 203
- UL 1034 burglary-resistant listed and suitable for outdoor use
- UL 294 (6th Edition) listed
- ANSI/BHMA A156.31, Grade 1

- California State Fire Marshal listed
- NFPA-252 fire door conformant
- ASTM-E152 fire door conformant
- RoHS compliant
- Patent pending
- PoE friendly

### Frame Application

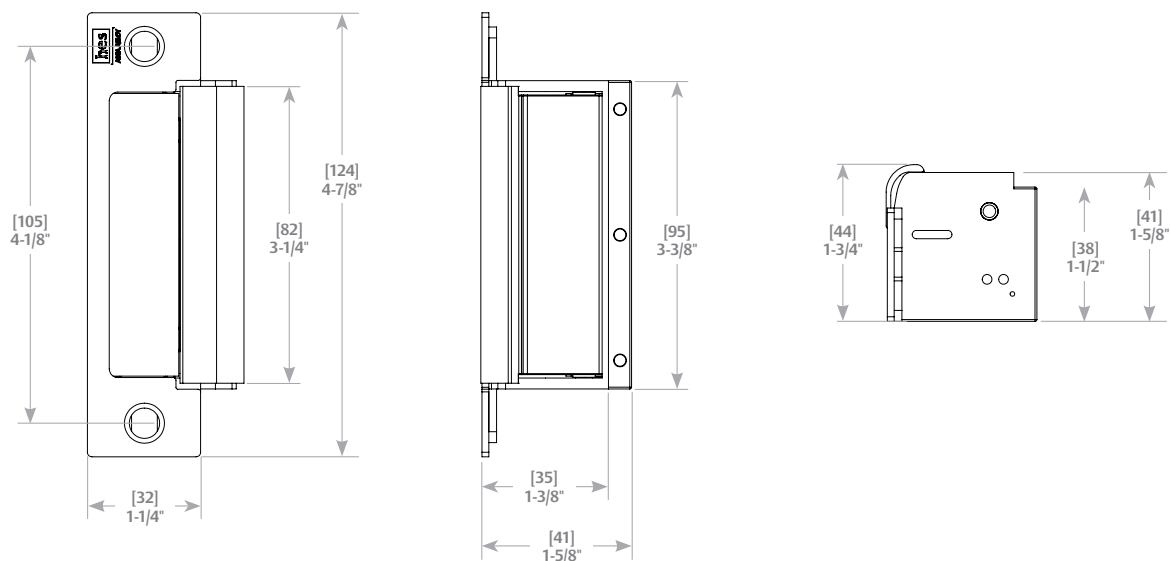
- Metal
- Wood

### Electrical (continuous duty)

- DC continuous duty, AC intermittent duty
- 0.24 Amps at 12VDC/VAC
- 0.12 Amps at 24VDC/VAC

## 1600 Models

|                |                           |   |
|----------------|---------------------------|---|
| <b>1600</b>    | Universal electric strike | Faceplate option kits ordered separately  |
| <b>1600CS</b>  | Complete electric strike  | Includes the 1LB faceplate kit for latchbolts and 1DB faceplate kit for deadbolts |
| <b>1600CLB</b> | Complete electric strike  | Includes the 1LB faceplate kit for latchbolts                                     |
| <b>1600CDB</b> | Complete electric strike  | Includes the 1DB faceplate kit for deadbolts                                      |



### Standard Features

- Stainless steel construction
- Tamper-resistant
- Dual-voltage 12/24 VDC continuous duty
- Static strength 1,500 lbs
- Dynamic strength 70 ft-lbs
- Endurance 1,000,000 cycles
- Field selectable fail safe/fail secure
- Non-handed
- Interchangeable faceplates and accessories
- Field replaceable components
- Fully finished faceplate, keeper, case and trim
- Field adjustable integrated shim
- ElectroLynx® connectors
- 5 year limited warranty

### Optional Features

- **LM** » Lock monitor
- **DLM** » Dual lock monitors
- **LMS** » Lock monitor and strike monitor
- **DLMS** » Dual lock monitors and strike monitor

### Accessories

- **157** » Torx screws
- **HES-CUT-MTK** » Metal template kit
- **1600-104-xxx** » Lip extension trim adapter (finish to match)
- **1600-106-xxx** » 1006 adapter and trim enhancer kit (finish to match)
- **OPT-1SRK** » Spring replacement kit
- **OPT-1LM** » Single lock monitor
- **OPT-1DLM** » Dual lock monitors
- **MOD-1SOL** » Solenoid replacement module

### Finishes

- **605** » Bright brass
- **606** » Satin brass
- **612** » Satin bronze
- **613E** » Dark oxidized satin bronze
- **629** » Bright stainless steel
- **630** » Satin stainless steel
- **BLK** » Black suede



# 1500C Complete Electric Strike

For all cylindrical and mortise locksets with 3/4" latchbolt

The **1500C** includes a 1500 electric strike body and the 1LB faceplate kit for latchbolts.

## Compatible Locksets:

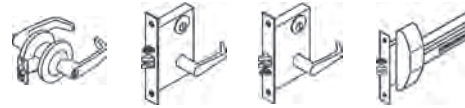


# 1600CLB Complete for Latchbolt Locks

The Complete One Box Solution for all cylindrical and mortise locksets

The **1600CLB** includes a 1600 electric strike body and the 1LB faceplate kit for latchbolts.

## Compatible Locksets:

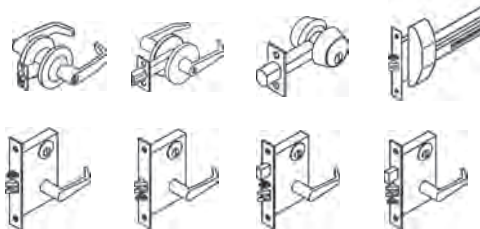


# 1600CS Complete Electric Strike

The Complete One Box Solution for all cylindrical and mortise locksets, with or without a 1" deadbolt

The **1600CS** includes a 1600 electric strike body, the 1LB faceplate kit for latchbolts and the 1DB faceplate kit for deadbolts.

## Compatible Locksets:



# 1600CDB Complete for Deadbolt Locks

The Complete One Box Solution for all locksets with a 1" deadbolt

The **1600CDB** includes a 1600 electric strike body and the 1DB faceplate kit for deadbolts.

## Compatible Locksets:

