



www.hesinnovations.com
 Hanchett Entry Systems, Inc.
 22630 N. 17th Ave,
 Phoenix, AZ 85027

9500/9600 Electric Strikes

Fire rated 9500, surface mounted



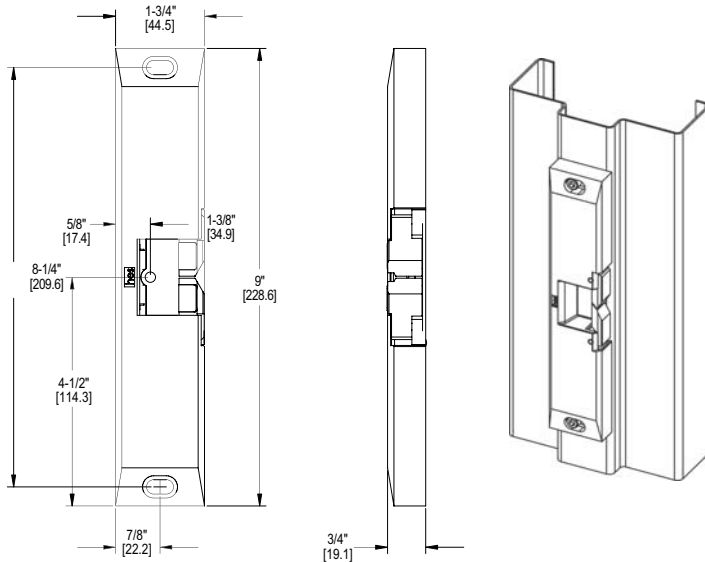
9500 Intended for UL 10C, 90 min.

INSTALLATION INSTRUCTIONS • Please read carefully before attempting installation

Technical Service Dept. Helpline (800) 626-7590
 (623) 582-4626

9500 SERIES DIMENSIONS

DIMENSIONS:
INCH [MM]



Installation Instructions

1. Prepare door jamb using the installation template, located on page 2 (with the exception of the 10-32 UNF threaded hole.)
2. Connect wires coming from the low voltage power source to the electric strike.
3. Make sure the mounting surface is smooth and square.
4. Align and attach electric strike to jamb, using 1/4 x 20 cap screws. (Further adjustments may be made through the # 10-32 set screws)
5. Drill and tap the 10-32 UNF threaded hole and install the 10-32 cap screw provided (9600 optional).

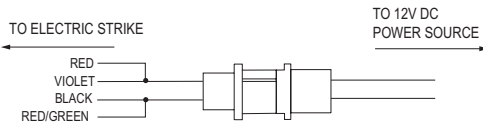
NOTES:

1. The electric strike is factory supplied as a 12 Volt DC unit.
2. The electric strike is factory configured as fail secure.
3. Before supplying power to electric strike, verify source voltage and current limits are within "ELECTRICAL RATINGS FOR SOLENOID"
4. Application on door frames only.
5. For retrofit applications, reinforcement plate must be 18 gauge minimum.

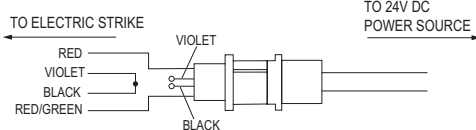
CAUTION! Before connecting any device at the installation site, verify input voltage and current using a multimeter. Many power supplies and transformers operate at higher levels than listed. Any input voltage exceeding 5% of the solenoid rating may cause severe damage to the unit and will void the warranty.

	LBM WIRING COLOR CODE (optional)	
WHITE	_____	COMMON
ORANGE	_____	NO-NORMALLY OPEN
GREEN	_____	NC-NORMALLY CLOSED
	LBSM WIRING COLOR CODE (optional)	
	(in addition to wires listed above)	
BROWN	_____	COMMON
BLUE	_____	NO-NORMALLY OPEN
YELLOW	_____	NC-NORMALLY CLOSED

12V

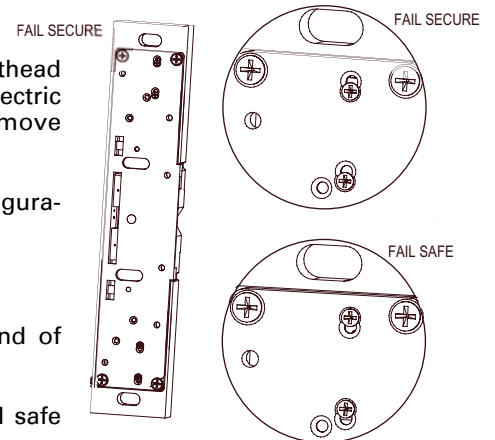


24V



Field Reversible: Fail secure - Fail safe

1. Loosen the pair of 2-56 flathead screws on the back of the electric strike. NOTE: Do not fully remove screws at any time.
2. Shift screws to fail safe configuration as shown at right.
3. Tighten screws.
4. Repeat steps 1-3 at other end of electric strike.
5. Remove UL 10C label for fail safe configuration.



MINIMUM WIRE GAUGE REQUIREMENTS	Solenoid Voltage	
	24VDC	12VDC
200 feet or less	18 gauge	14 gauge
200-300 feet	18 gauge	12 gauge
300-400 feet	16 gauge	
ELECTRICAL RATINGS FOR SOLENOID	Continuous Duty	
	Input voltage (+ or - 5%)	24VDC 12VDC
	Resistance in Ohms	106.6 26.6
	Amps Seated	.225 .45

4055006.001 rev C



9500/9600 LBM/LBSM Installation Template

