

BEYOND SECURITY



Simplex® 1000



Features

Access Control

Mechanical pushbutton lock – eliminates problems and costs associated with issuing, controlling, and collecting keys and cards. Provides exterior access by combination, while allowing free egress

No Battery

Fully mechanical lock eliminates the material and labor expense of battery replacements

Locking Device

Cylindrical latch with 3-hour UL/ULC fire rating on "A" labeled doors

Number of Codes

Single access code—one easy-to-manage code for all users

Programming

Lock is easily programmed via keypad without removing lock from the door

Handing

Factory-handed for left-hand doors; easily changed in the field

Key Override (Optional)

Small format interchangeable cores, large format removable cores

Operation Modes

- Pushbutton Access
- Passage (select models)—allows access without using the lock entry code. Feature activated from the inside with a thumbturn or key (included with all passage feature models).
- Lockout (select models)—disables the lock from the inside so that the entry code cannot be used to gain access. Access is permitted using the key override only.

Economical

A cost effective access control solution

Mechanical Features

Construction	Heavy-duty cylindrical lock housing with cast front housing; unified trim plate; cast knobs
Numeric Keypad	Vandal resistant, solid metal pushbuttons
Standard Finishes	Satin Chrome: 26D (626), Antique Brass 05 (609)
Optional Finishes	Bright Brass 03 (605), Bright Chrome 026 (625)
Backset	2 3/4" (70 mm), 2 3/8" (60 mm)
Latch	1/2" (13 mm) throw latch, 3/4" (19 mm) throw latch (optional)
Minimum Stile Recommended	5" (127 mm)
Weight	7.25 lbs. (3.3 kg)
Strike	Standard strike plate; ASA strike plate

Key Override

Interchangeable Cores	Small format—Best and equivalents (6 or 7-pin length); core not included
Removable Cores	Large format—Medeco/ASSA/Yale/Abloy (5 or 6-pin length), Corbin Russwin (6-pin length), Schlage, and Sargent; core not included

Installation

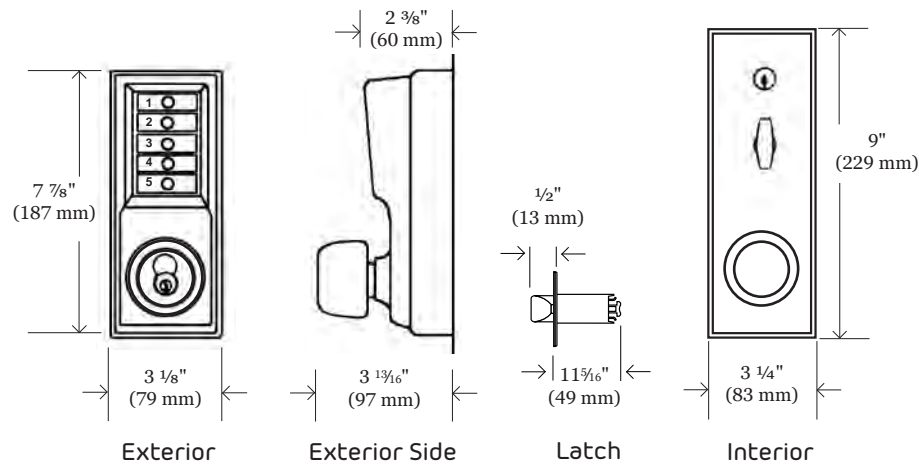
Door Preparation	Easily installs on wood or metal doors. ASA 161 door preparation with additional through bore holes required.
Door Thickness	Pre-assembled to accommodate 1 5/8" (41mm) to 1 7/8" (48mm) doors. Hardware included to cover door thickness applications: 1 3/8" (35mm) to 1 1/2" (38mm), 2" (51mm) to 2 1/4" (57mm)
Items Supplied Include	Lock assembly, installation manual, full-scale template, combination change plug and access key, and required installation hardware

Certification and Testing

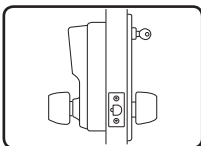
Durability	D.O.D. Compliant 5220.22M for supplemental access control; weather resistant
Fire Rating	3-hour UL/ULC fire rating for "A" labeled doors

Warranty

Warranty	3-year warranty
----------	-----------------

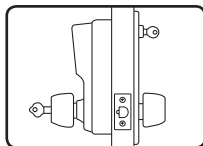


Model 101x



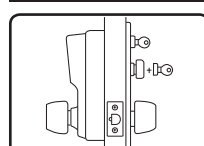
- Combination Entry
- Interior Combination Change

Model 102x



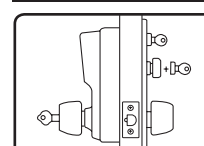
- Combination Entry
- Key Override (not supplied)
- Interior Combination Change

Model 103x



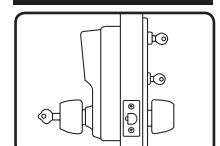
- Combination Entry
- Interior Combination Change
- Passage

Model 104x



- Combination Entry
- Key Override (not supplied)
- Passage
- Interior Combination Change

Lockout Models



- Combination Entry
- Key Override (not supplied)
- Interior Combination Change
- Lockout from Inside Trim Change