

# Simplex<sup>®</sup> 5000 Specifications



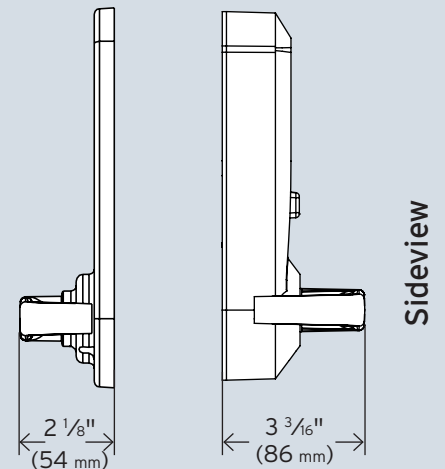
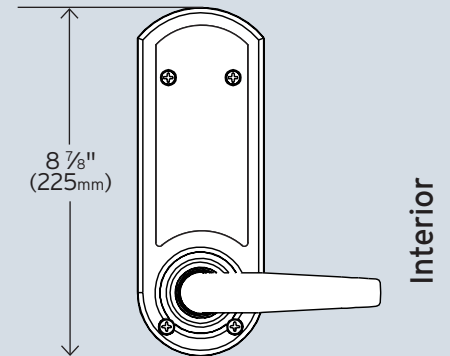
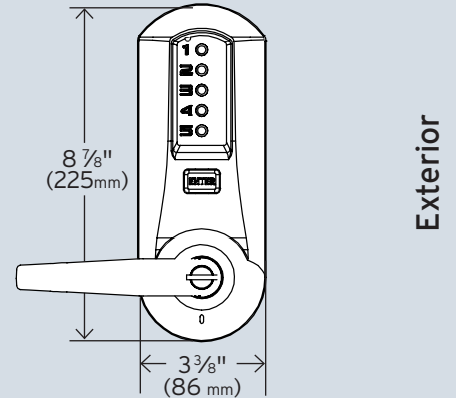
## Features

<b>Access Control:</b>	Mechanical pushbutton lock—eliminates problems and costs associated with issuing, controlling, and collecting keys and cards
<b>No Battery:</b>	Fully mechanical lock eliminates the material and labor expense of battery replacements
<b>Number of Codes:</b>	Single access code—one easy to manage code for all users
<b>Programming:</b>	Lock is easily programmed via keypad without removing lock from the door
<b>Handing:</b>	Non-handed, pre-assembled for left-hand door installations—easily changed in the field
<b>Key Override:</b>	Key-in-lever cylinders, small format interchangeable cores, large format removable cores
<b>Operation Modes:</b>	<p><b>Simplex 5000 Cylindrical</b></p> <p>Single credential—access Passage (select models)</p> <p><b>Simplex 5000 Exit Trim</b></p> <p>Single credential—access May be “dogged” if exit device allows</p>
<b>Economical:</b>	A cost effective access control solution

## Exit Device Compatibility—Simplex 5000 Exit Trim

Arrow S1250	Monarch 18R/F-18R	Sargent 8888
Arrow S3800	Precision 21/FL21	Von Duprin 22/22F
Corbin Russwin 5200/5200A	Sargent 2828	Von Duprin 98/98F
Detex 10/F10	Sargent 3828	Von Duprin 99/99F
Dorma 9300/9300F	Sargent 8800	Yale 7100

## Simplex 5000 Cylindrical Dimensions





## Key Override (Continued)

Interchangeable	Small format—Best and equivalents
Cores:	(6 or 7-pin length)
Removable Cores:	Large format—ASSA/Medeco/Yale (6-pin), Corbin Russwin, Schlage, and Sargent

## Installation

Door Preparation:	<b>Simplex 5000 Cylindrical</b> —ASA 161 door prep with additional through bore holes ( <i>wood or metal doors</i> ) <b>Simplex 5000 Exit Trim</b> —ASA 161 door prep with additional through bore holes ( <i>wood or metal doors</i> )
Door Thickness:	<b>Simplex 5000 Cylindrical</b> —1 <sup>3</sup> / <sub>8</sub> " (35 mm) to 2 <sup>1</sup> / <sub>4</sub> " (57 mm). Pre-assembled to accommodate doors 1 <sup>5</sup> / <sub>8</sub> " (41 mm) to 2" (50 mm) <b>Simplex 5000 Exit Trim</b> —1 <sup>3</sup> / <sub>4</sub> " (44 mm) to 2 <sup>1</sup> / <sub>4</sub> " (57 mm). Pre-assembled to accommodate doors 1 <sup>3</sup> / <sub>4</sub> " (44 mm) to 2 <sup>1</sup> / <sub>8</sub> " (54 mm)
Items Supplied Include:	<b>Simplex 5000 Cylindrical</b> —Lock assembly, installation manual, template, and required hardware <b>Simplex 5000 Exit Trim</b> —Lock assembly, installation manual, template, and required hardware. (Exit device and mounting hardware not included)
Additional Items Supplied Include:	<b>Simplex 5000 (Key-in-Lever Models Only)</b> —Universal Kaba 1599 6-pin cylinder with tailpiece, two nickel silver keys

## Certification and Testing

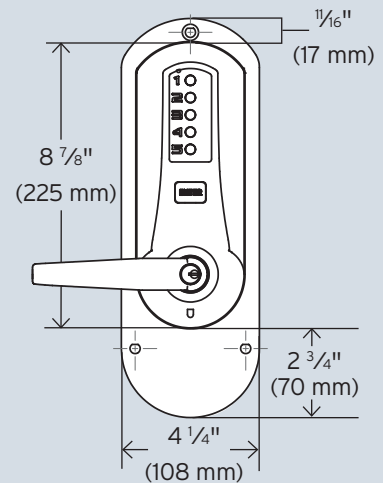
Accessibility	Americans with Disabilities Act (ADA)
Standard:	
Durability:	<b>Simplex 5000 Cylindrical</b> —ANSI/BHMA A156.2, Grade 1 Certified <b>Simplex 5000 Exit Trim</b> —ANSI/BHMA A156.3, Grade 1 Certified
Environmental:	Weather resistant, Indoor/Outdoor approved
Fire Rating:	3-hour UL/ULC fire rating for "A" label doors

## Warranty

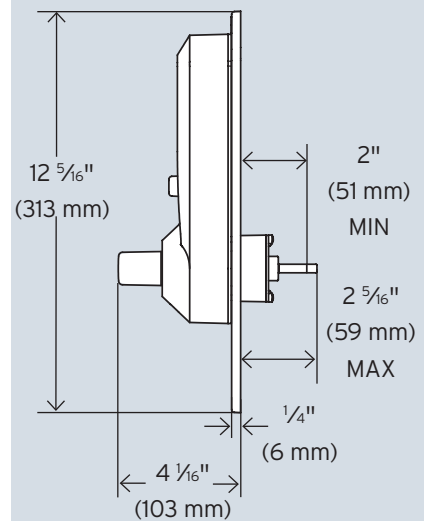
Warranty:	3-year warranty
-----------	-----------------

## Simplex 5000 Exit Trim

### Dimensions



Exterior



Sideview

## Available Finishes

---

**Standard Finishes:** Satin Chrome 26D (626) housings and lever  
Black (676) housings with Satin Chrome (626) levers and accents

---

**Optional Finishes:** Bright Brass 03 (605) housings and lever  
Satin Brass 04 (606) housings and lever  
Bright Chrome 026 (625) housings and lever  
Dark Bronze (744-Simulates 10B/613) housing and levers with brass accents

---



Satin Chrome



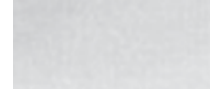
Black



Bright Brass



Satin Brass



Bright Chrome



Dark Bronze

Disclaimer: While reasonable efforts were made to ensure the accuracy of this document at the time of printing, Kaba assumes no liability for any errors or omissions. This information is subject to be revised without notice, and changes may be incorporated in future releases.

KAA1052 0508