

6

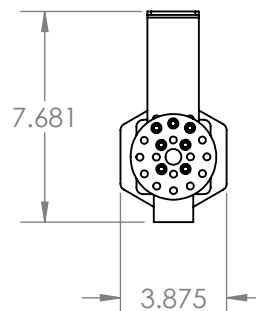
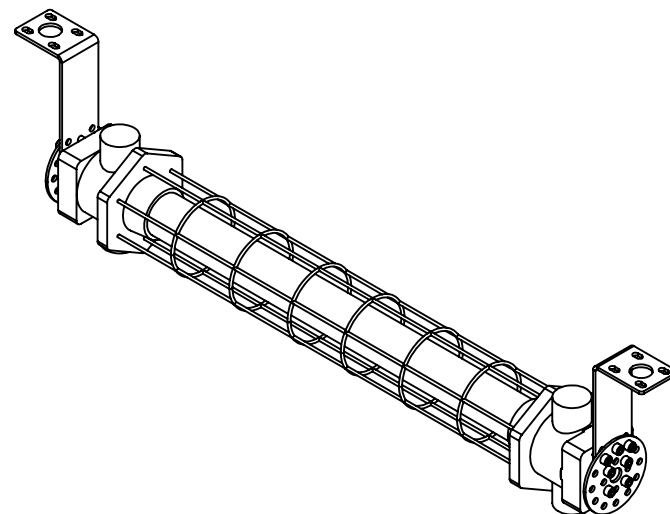
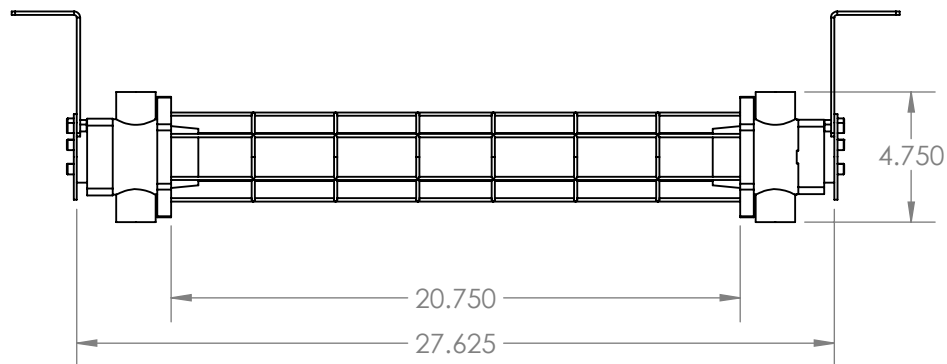
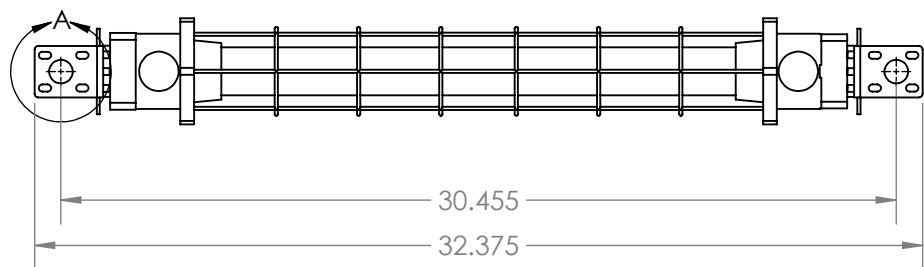
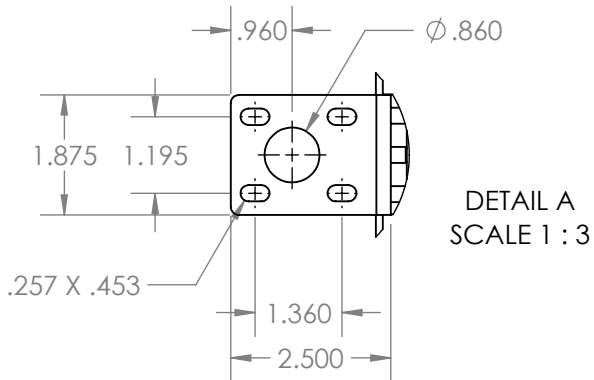
5

4

3

2

1



TITLE:
EPL-LP-24-LED-ALB

PROPRIETARY AND CONFIDENTIAL
THE INFORMATION CONTAINED IN THIS DRAWING IS THE SOLE PROPERTY OF LARSON ELECTRONICS LLC. ANY REPRODUCTION IN PART OR AS A WHOLE WITHOUT THE WRITTEN PERMISSION OF LARSON ELECTRONICS LLC IS PROHIBITED.

UNLESS OTHERWISE NOTED:
Angle +/- .5 deg
.X +/- .02
.XX +/- .01
.XXX +/- .005

FINISH		NAME	CHRISTOPHER THAUER
SURFACE AREA [sq. in]		DRAWN	
DIMENSIONS ARE IN INCHES		CHECKED	N/A
MATERIAL		DATE	11/25/2020
DO NOT SCALE DRAWING			

SIZE	DWG. NO.	REV
A		
SCALE: NTS		SHEET 1 OF 1

6

5

4

3

2

1

F

E

D

C

B

A