

6 5 4 3 2 1

F

E

D

C

B

A

F

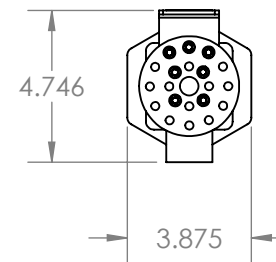
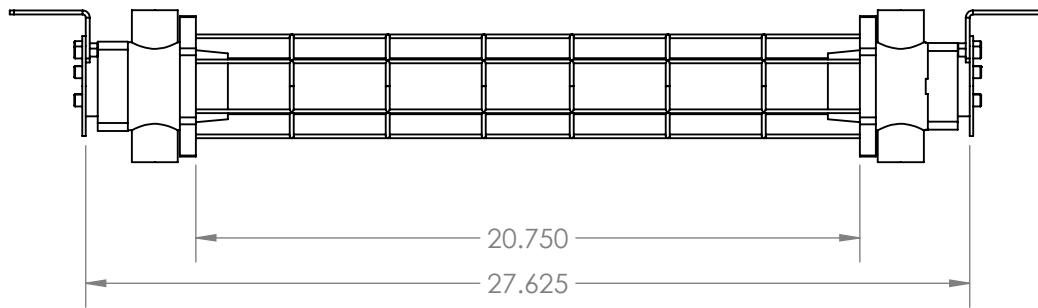
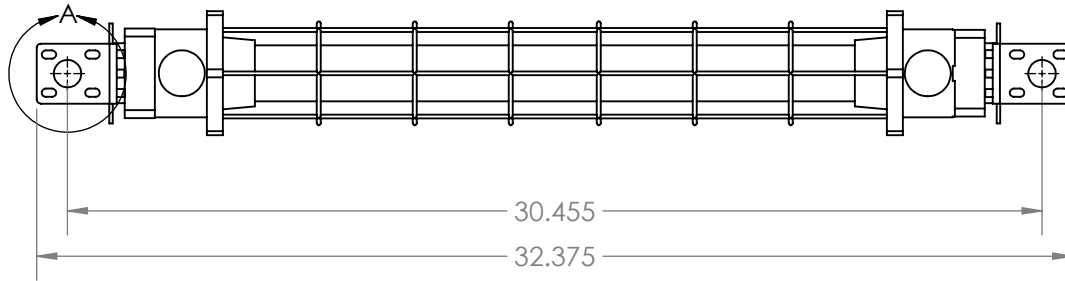
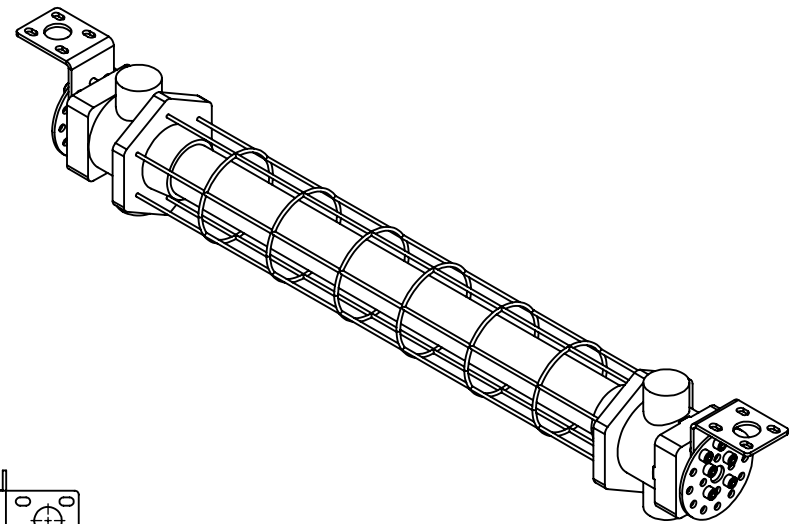
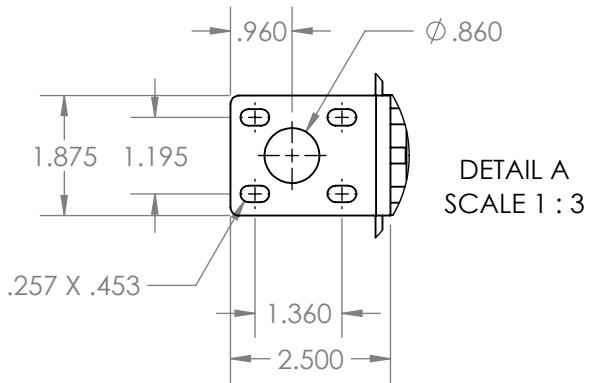
E

D

C

B

A



FINISH		NAME	CHRISTOPHER THAUER
SURFACE AREA [sq. in.]		DRAWN	
DIMENSIONS ARE IN INCHES		CHECKED	N/A
MATERIAL		DATE	3/4/2022
DO NOT SCALE DRAWING			

TITLE:			
EPL-LP-24-LED-SFC.LP			
SIZE	DWG. NO.	REV	
A			
SCALE: NTS		SHEET 1 OF 1	

PROPRIETARY AND CONFIDENTIAL
THE INFORMATION CONTAINED IN THIS DRAWING IS THE SOLE PROPERTY OF LARSON ELECTRONICS LLC. ANY REPRODUCTION IN PART OR AS A WHOLE WITHOUT THE WRITTEN PERMISSION OF LARSON ELECTRONICS LLC IS PROHIBITED.

UNLESS OTHERWISE NOTED:
 Angle +/- .5 deg
 .X +/- .02
 .XX +/- .01
 .XXX +/- .005

6 5 4 3 2 1