

Instruction Manual Explosion Proof Pilot Light - 240 Volts - Colored Lamp

Do not attempt installation until you are familiar with all warnings, precautions, and procedures outlined within this instruction sheet.

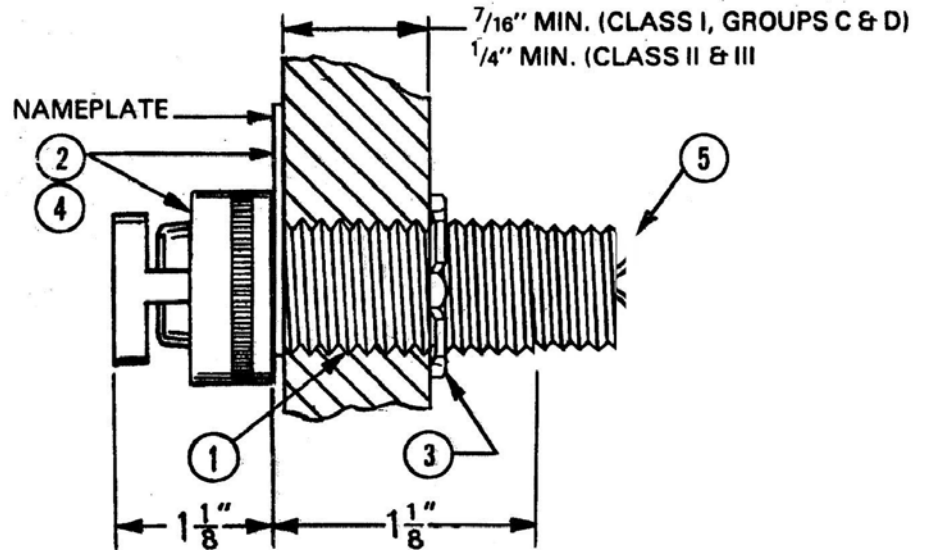
These pilot lights are designed for enclosures which meet the requirements of Article 500 of the National Electrical Code. Devices are to be mounted in enclosures with walls up to 1" thick.

INSTALLATION

Before beginning installation, make sure that the supply circuit is turned **OFF**.

1. Using the installation drawings below as a guide, drill and tap a 3/4-14NPSM-2B hole through the cover. The hole must be located so that a flat area is available to tighten the locknut on the inside of the cover, and enough room is allowed for mounting the nameplate on the face of the cover. For proper electrical clearance, these devices should be mounted on 2-1/2" centers.
2. Remove the lens cap/guard assembly and nameplate and thread the remainder of the operator through the hole from the inside until the device body is flush with the face of the cover.
3. Orient the assembly as desired and tighten the locknut to secure it. (The assembly may be staked in place if desired.)
4. Position the nameplate on the cover and install the lens cap to hold it.
5. Wire the system, secure the enclosure and turn ON the supply circuit to test the system.

INSTALLATION DRAWINGS



OPERATION

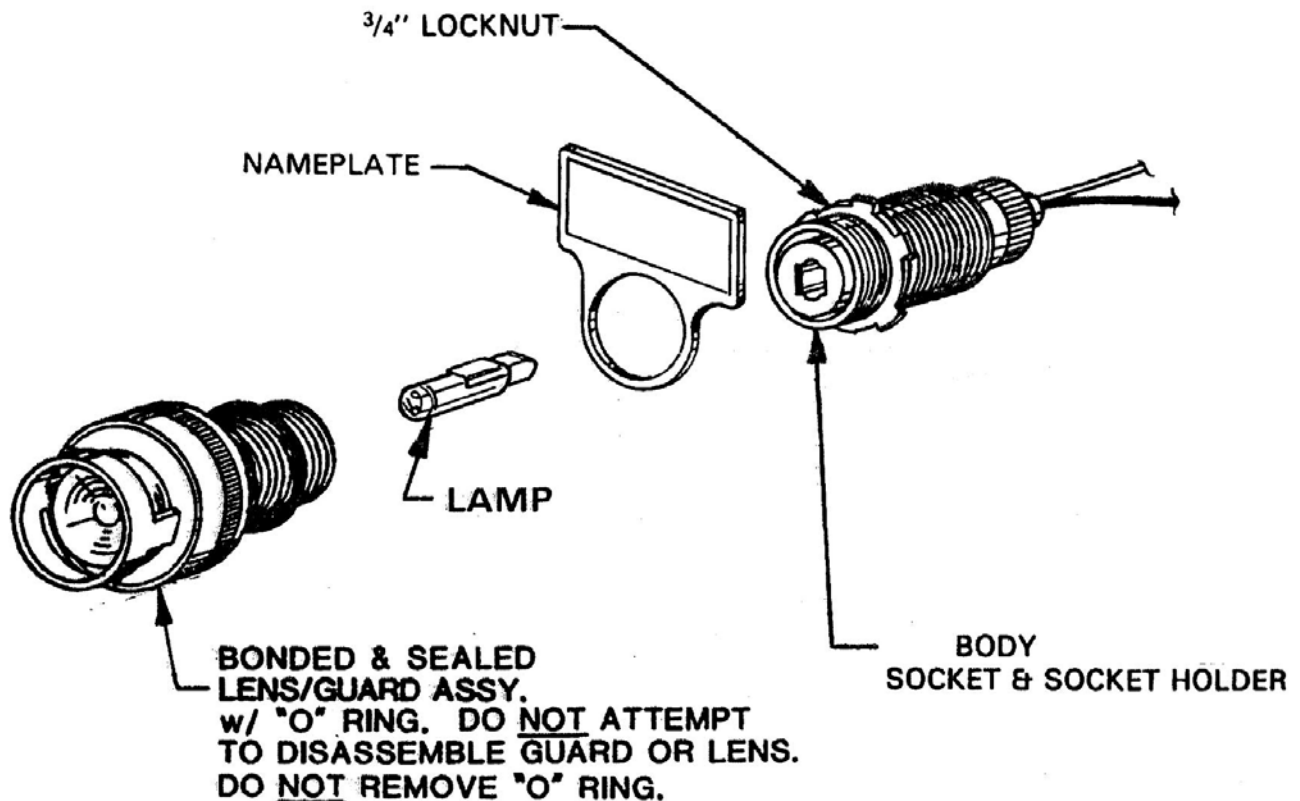
Operate this pilot light only at its rated voltage. These devices are pre-sealed. Therefore, the enclosure in which they are installed need not be provided with external seals. However, the enclosure **must** be marked with a cautionary statement such as "Caution: Disconnect this device from the supplying circuit before entering. Keep assembly tight while circuits are alive". This statement must be permanently visible after the enclosure has been installed.

MAINTENANCE

The EPL-PL Pilot Light series require no special maintenance, other than a periodic inspection for damage or a burned-out lamp. To replace the lamp, unscrew the lens/guard assembly. Replace the lamp **only** with one of exactly the same type and rating. The lens assembly threads should be lubricated occasionally to prevent from binding.

Damaged or worn parts should be replaced immediately to ensure the safety of the system. Refer to the Parts Drawing below. Consult Larson Electronics for specific part numbers.

PARTS DRAWING



THESE INSTRUCTIONS MAY NOT COVER ALL DETAILS OR VARIATIONS OF THIS PRODUCT FOR YOUR EQUIPMENT OR INSTALLATION REQUIREMENTS. SHOULD FURTHER INFORMATION NOT COVERED BY THESE INSTRUCTIONS BE REQUIRED, PLEASE CONTACT LARSON ELECTRONICS BY EMAIL AT SALES@LARSONELECTRONICS.COM OR BY PHONE AT 1-800-369-6671 FOR FURTHER ASSISTANCE.

PLEASE VISIT LARSONELECTRONICS.COM FOR **WARRANTY** AND **RETURN** INFORMATION.