

PROPRIETARY AND CONFIDENTIAL
 THE INFORMATION CONTAINED IN THIS DRAWING IS THE SOLE PROPERTY OF LARSON ELECTRONICS LLC. ANY REPRODUCTION IN PART OR AS A WHOLE WITHOUT THE WRITTEN PERMISSION OF LARSON ELECTRONICS LLC IS PROHIBITED.

PART NUMBER:
EPL-QP-LP48-LED-100

SIZE		REV
A		1

DIMENSIONS ARE IN INCHES				
DO NOT SCALE DRAWING	DATE	9/17/2020	SCALE: NTS	SHEET 1 OF 3

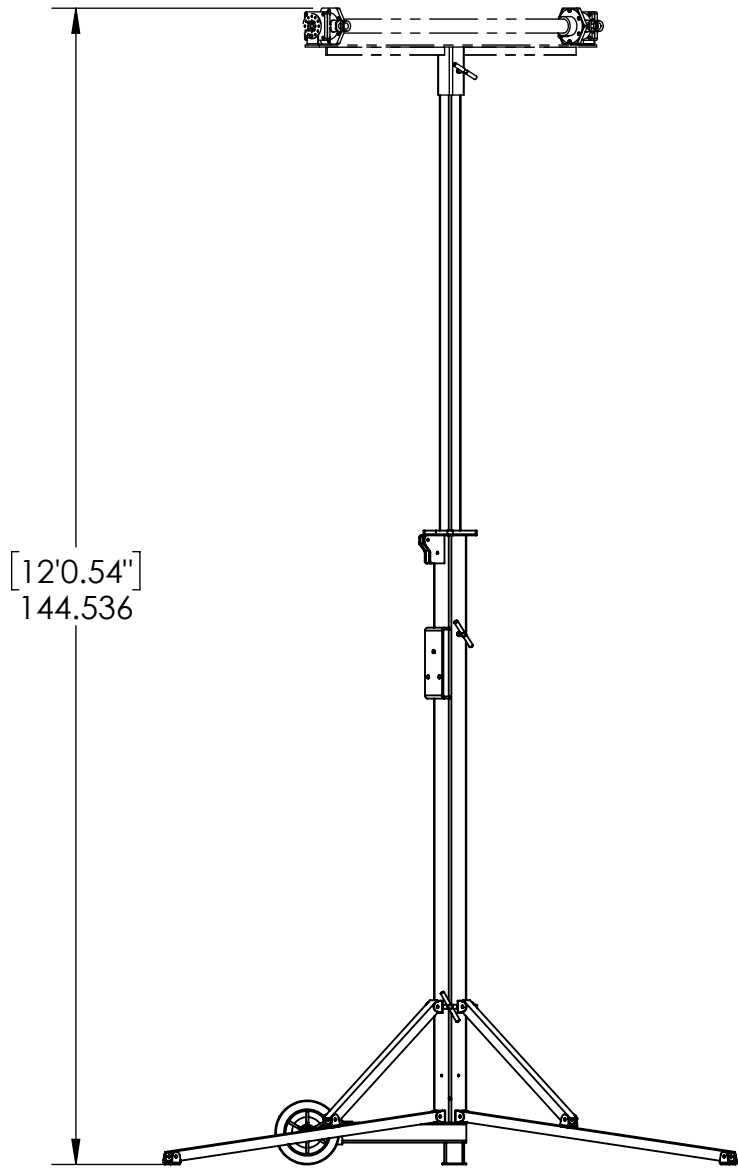
5

4

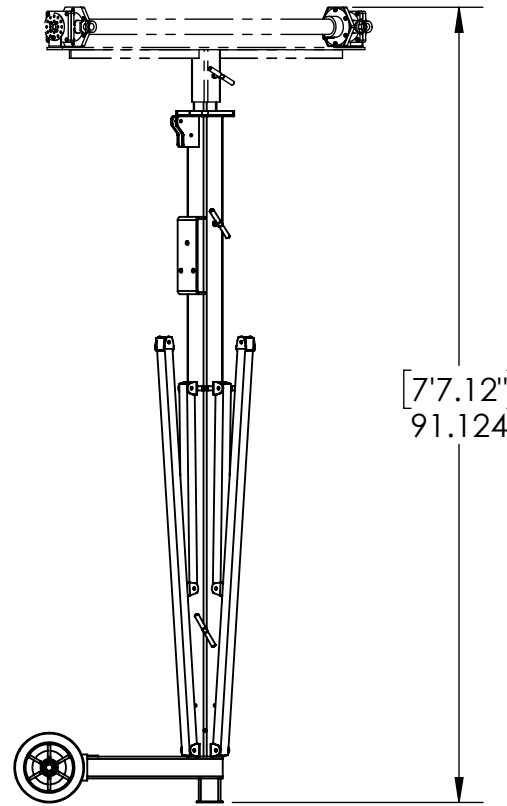
3

2

1



EXTENDED VIEW



COLLAPSED VIEW



PART NUMBER:

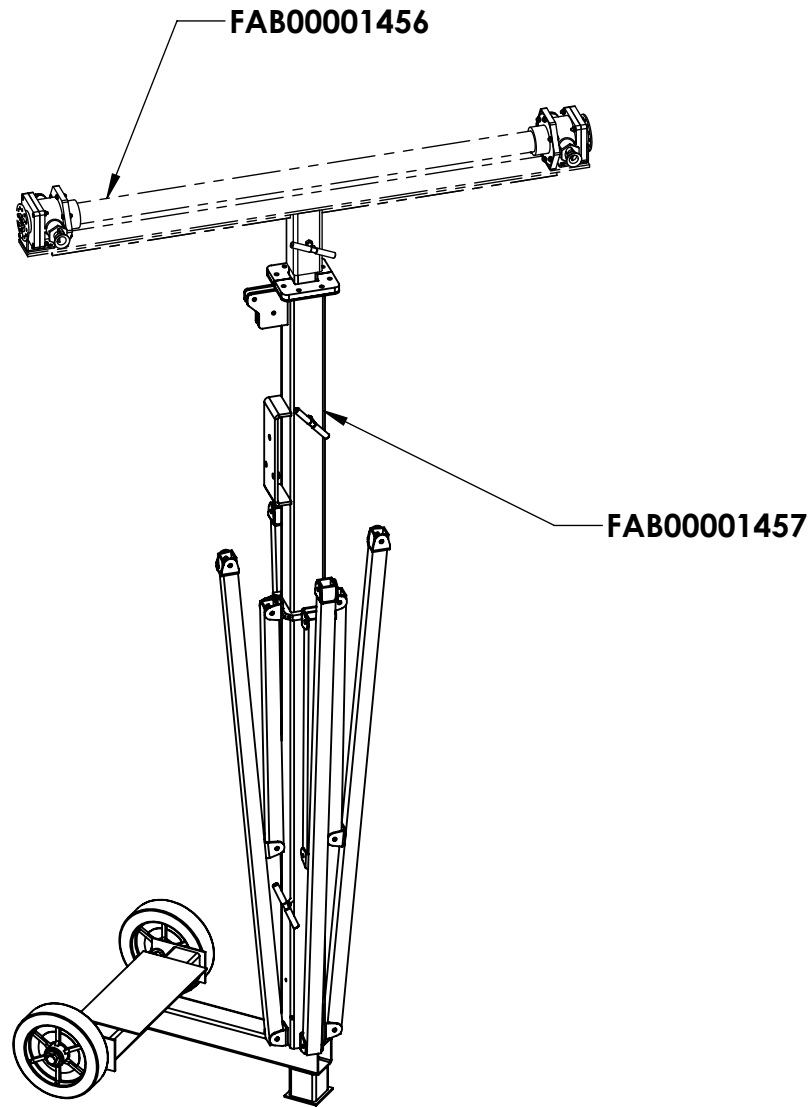
EPL-QP-LP48-LED-100

SIZE
A

REV
1

PROPRIETARY AND CONFIDENTIAL
THE INFORMATION CONTAINED IN THIS DRAWING IS THE SOLE PROPERTY OF LARSON ELECTRONICS LLC. ANY REPRODUCTION IN PART OR AS A WHOLE WITHOUT THE WRITTEN PERMISSION OF LARSON ELECTRONICS LLC IS PROHIBITED.

DIMENSIONS ARE IN INCHES					
DO NOT SCALE DRAWING	DATE	9/17/2020	SCALE: NTS		SHEET 1 OF 3



TITLE:
EPL-QP-LP48-LED-100

PROPRIETARY AND CONFIDENTIAL
 THE INFORMATION CONTAINED IN THIS DRAWING IS THE SOLE PROPERTY OF LARSON ELECTRONICS LLC. ANY REPRODUCTION IN PART OR AS A WHOLE WITHOUT THE WRITTEN PERMISSION OF LARSON ELECTRONICS LLC IS PROHIBITED.

UNLESS OTHERWISE NOTED:
 ANGLE: +/- .5
 .X +/- .02
 .XX +/- .01
 .XXX +/- .005

DIMENSIONS ARE IN INCHES

DO NOT SCALE DRAWING

	NAME	SIZE	PRT. NO.	REV
DRAWN	MAX	A		1
CHECKED				
DATE	9/17/2020	SCALE: NTS		SHEET 3 OF 3

5

4

3

2

1