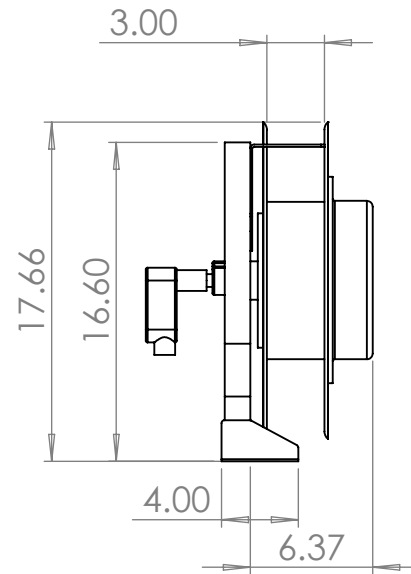
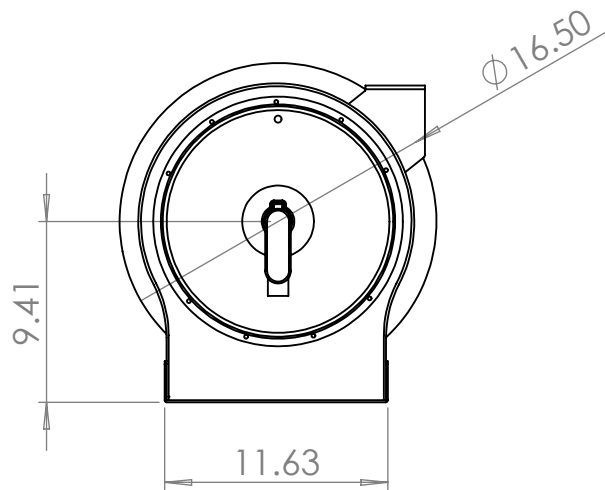
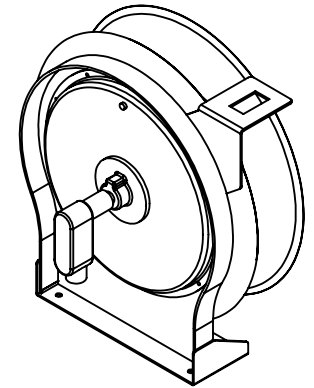
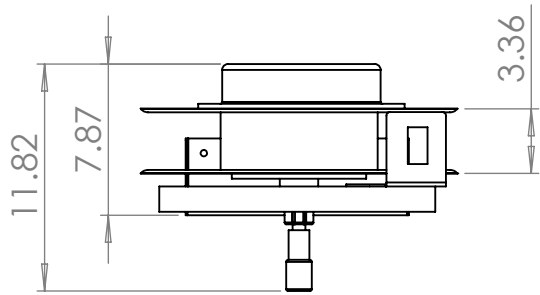


TITLE:

**EPLRT-50-12.3-
GCR**

PROPRIETARY AND CONFIDENTIAL
THE INFORMATION CONTAINED IN THIS DRAWING IS THE SOLE PROPERTY OF LARSON ELECTRONICS LLC. ANY REPRODUCTION IN PART OR AS A WHOLE WITHOUT THE WRITTEN PERMISSION OF LARSON ELECTRONICS LLC IS PROHIBITED.

		NAME			
	DRAWN	Cesar Arroyo Rivera	SIZE	DWG. NO.	REV
	CHECKED	LM	A		A
DIMENSIONS ARE IN INCHES	DATE	02/22/2018	SCALE: NTS		SHEET 1 OF 3
DO NOT SCALE DRAWING					



PROPRIETARY AND CONFIDENTIAL
 THE INFORMATION CONTAINED IN THIS DRAWING IS THE SOLE PROPERTY OF LARSON ELECTRONICS LLC. ANY REPRODUCTION IN PART OR AS A WHOLE WITHOUT THE WRITTEN PERMISSION OF LARSON ELECTRONICS LLC IS PROHIBITED.

TITLE:
EPLRT-50-12.3-GCR

		NAME			
	DRAWN	Cesar Arroyo Rivera	SIZE	DWG. NO.	REV
	CHECKED	LM	A		A
DIMENSIONS ARE IN INCHES	DATE	02/22/2018	SCALE: NTS		SHEET 2 OF 3
DO NOT SCALE DRAWING					

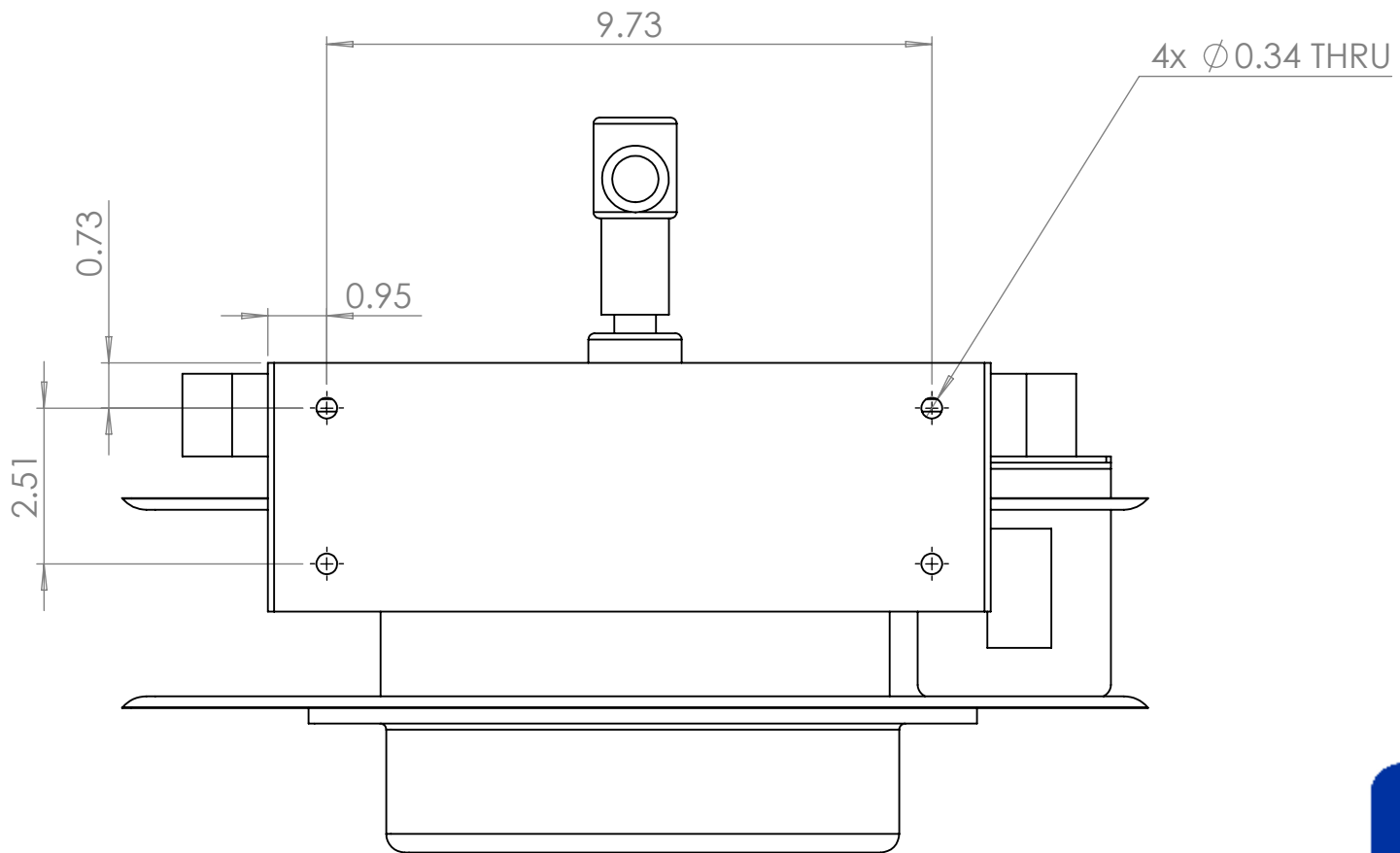
5

4

3

2

1



TITLE:
**EPLRT-50-12.3-
GCR**

PROPRIETARY AND CONFIDENTIAL
THE INFORMATION CONTAINED IN THIS DRAWING IS THE SOLE PROPERTY OF LARSON ELECTRONICS LLC. ANY REPRODUCTION IN PART OR AS A WHOLE WITHOUT THE WRITTEN PERMISSION OF LARSON ELECTRONICS LLC IS PROHIBITED.

		NAME				REV	
DRAWN	Cesar Arroyo Rivera	SIZE	DWG. NO.			A	
DIMENSIONS ARE IN INCHES		CHECKED	LM			A	
DO NOT SCALE DRAWING		DATE	02/22/2018	SCALE: NTS		SHEET 3 OF 3	

5

4

3

2

1