

TITLE:  
**EPLX-HB-100W-  
 RD2-LED-TRC**

**PROPRIETARY AND CONFIDENTIAL**  
 THE INFORMATION CONTAINED IN THIS DRAWING IS THE SOLE PROPERTY OF LARSON ELECTRONICS LLC. ANY REPRODUCTION IN PART OR AS A WHOLE WITHOUT THE WRITTEN PERMISSION OF LARSON ELECTRONICS LLC IS PROHIBITED.

		NAME			
	DRAWN	Luis Martinez	SIZE	DWG. NO.	REV
	CHECKED	N/A	<b>A</b>		00
	DATE	06/16/2017	SCALE: NTS		SHEET 1 OF 2
DIMENSIONS ARE IN INCHES					
DO NOT SCALE DRAWING					

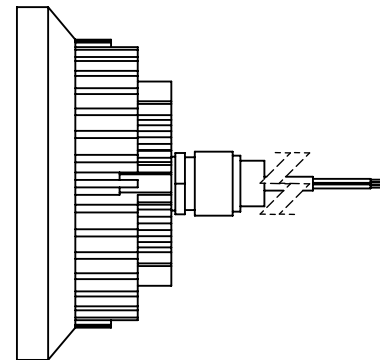
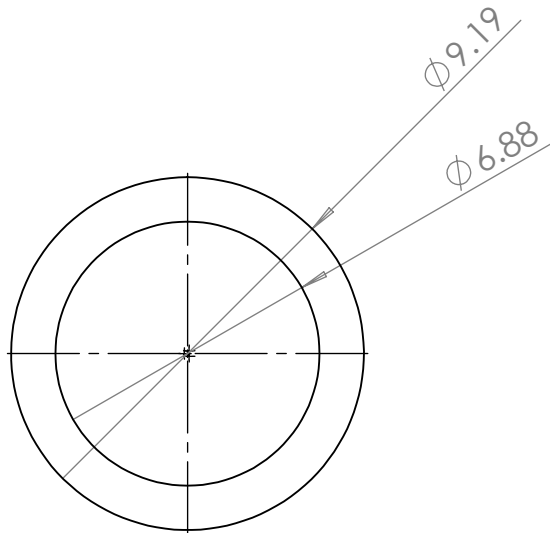
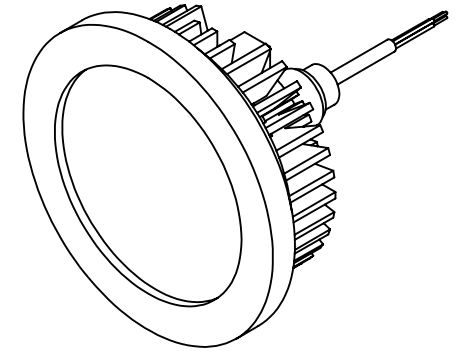
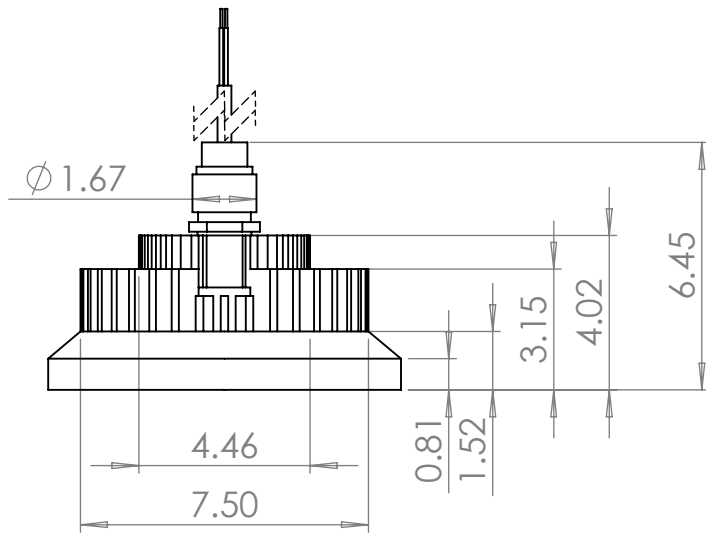
5

4

3

2

1



**PROPRIETARY AND CONFIDENTIAL**  
THE INFORMATION CONTAINED IN THIS DRAWING IS THE SOLE PROPERTY OF LARSON ELECTRONICS LLC. ANY REPRODUCTION IN PART OR AS A WHOLE WITHOUT THE WRITTEN PERMISSION OF LARSON ELECTRONICS LLC IS PROHIBITED.

TITLE:  
**EPLX-HB-100W-  
RD2-LED-TRC**

		NAME			
	DRAWN	Luis Martinez		SIZE	DWG. NO.
	CHECKED	N/A		<b>A</b>	
	DATE	06/16/2017			REV <b>00</b>
DIMENSIONS ARE IN INCHES				SCALE: NTS	
DO NOT SCALE DRAWING					SHEET 2 OF 2

5

4

3

2

1