

ITEM NO.	PART NUMBER	DESCRIPTION	QTY.
1	EPS-25A-BASE BODY	Base body for the EPS-25A Assembly	1
2	EPS-25A-COVER	Cover with handle that moves switch	1
3	Switch	Electrical switch, on/off function	1
4	FS-PHS-5-40-L.025	Pan Head slotted #5-40 screw, .25 length	2
5	FS-CSSD0.25-20-L0.625	1/4-20x5/8 Countersunk screw, Slotted Drive	4



TITLE:

EPSW-20A

PROPRIETARY AND CONFIDENTIAL
 THE INFORMATION CONTAINED IN THIS DRAWING IS THE SOLE PROPERTY OF LARSON ELECTRONICS LLC. ANY REPRODUCTION IN PART OR AS A WHOLE WITHOUT THE WRITTEN PERMISSION OF LARSON ELECTRONICS LLC IS PROHIBITED.

UNLESS OTHERWISE NOTED:

ANGLE: +/- .5
 .X +/- .02
 .XX +/- .01
 .XXX +/- .005

DIMENSIONS ARE IN INCHES			NAME	
Quantity	1	DRAWN	Luis Martinez	
MATERIAL		CHECKED	N/A	
DO NOT SCALE DRAWING		DATE	03/23/2017	

SIZE	DWG. NO.	REV
A		00
SCALE: NTS		SHEET 2 OF 3

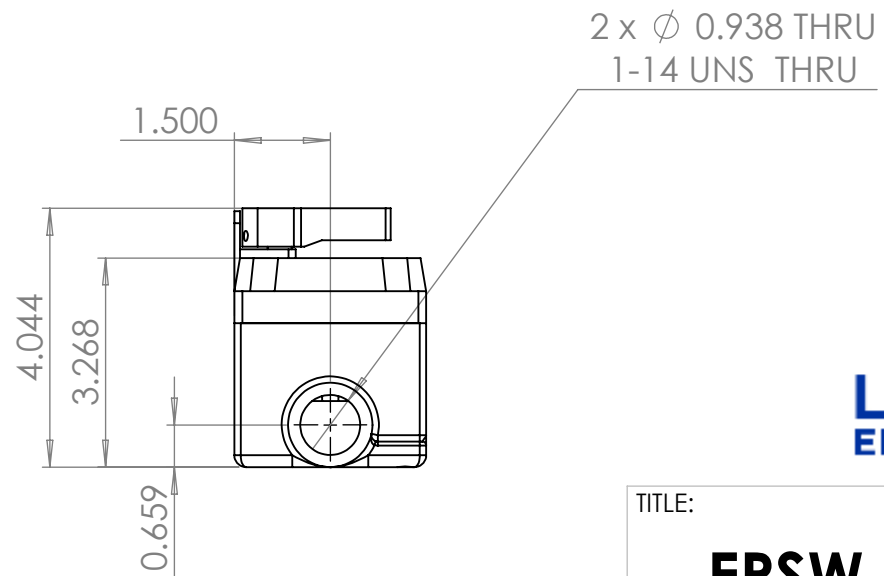
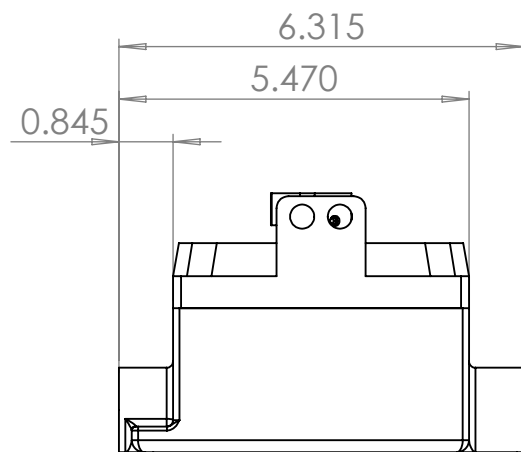
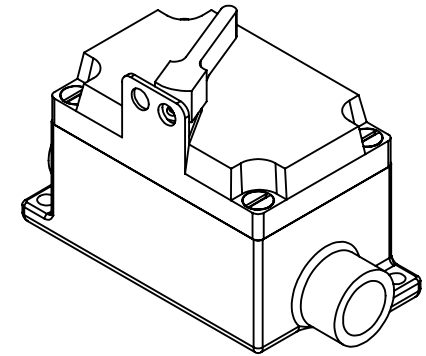
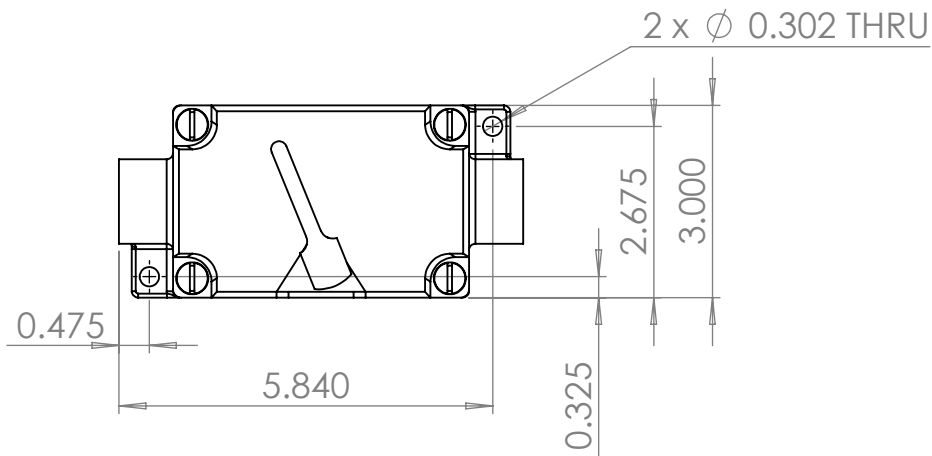
5

4

3

2

1



TITLE:

EPSW-20A

PROPRIETARY AND CONFIDENTIAL
 THE INFORMATION CONTAINED IN THIS DRAWING IS THE SOLE PROPERTY OF LARSON ELECTRONICS LLC. ANY REPRODUCTION IN PART OR AS A WHOLE WITHOUT THE WRITTEN PERMISSION OF LARSON ELECTRONICS LLC IS PROHIBITED.

UNLESS OTHERWISE NOTED:

ANGLE: +/- .5
 .X +/- .02
 .XX +/- .01
 .XXX +/- .005

DIMENSIONS ARE IN INCHES			NAME	
Quantity	1		DRAWN	Luis Martinez
MATERIAL			CHECKED	N/A
DO NOT SCALE DRAWING			DATE	03/23/2017

SIZE	DWG. NO.	REV
A		00
SCALE: NTS		SHEET 3 OF 3

5

4

3

2

1