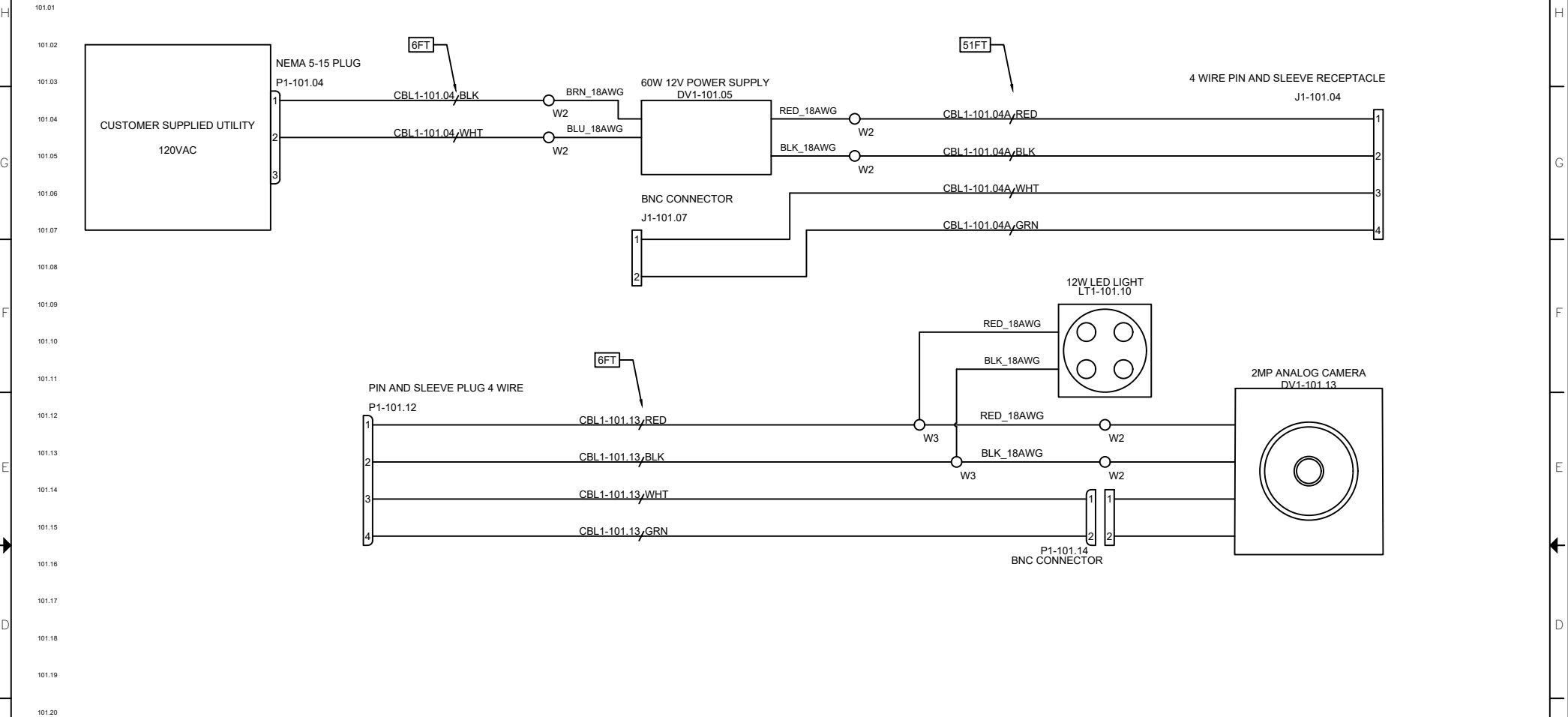


REV	DESCRIPTION	DATE
A	PRODUCTION RELEASE	03/29/2021

EXPCMR-ALG-OZ-IC-1080P-1XLE3-5C-
QD-50C-12.4-M1-5.15




8 7 6 5 4 3 2 1



101.01 101.02 101.03 101.04 101.05 101.06 101.07 101.08 101.09 101.10 101.11 101.12 101.13 101.14 101.15 101.16 101.17 101.18 101.19 101.20 101.21 101.22 101.23 101.24 101.25 101.26 101.27 101.28 101.29 101.30

TAGS	QTY	CATALOG	DESCRIPTION
J1-101.07 P1-101.14	2	UNV00012659	HD-TV/CVI/AHD Mini Video Balun with Screw Terminal
P1-101.12	1	UNV00005357	PIN AND SLEEVE PLUG 4WIRE
J1-101.04	1	UNV00005359	3P 4WIRE PIN AND SLEEVE RECEPTACLE
P1-101.04	1	UNV00006731	PLUG STRAIGHT BLADE - NEMA 5-15P
DV1-101.13	1	UNV00009062	2MP CAMERA AUTO FOCUS ANALOG
LT1-101.10	1	UNV00010488	4" 12W LED LIGHT SPOT
DV1-101.05	1	UNV00015867	60W 12V OUTPUT POWER SUPPLY
W2	4	UNV00004254	2-CONDUCTOR LEVER CLAMP WAGO
W3	2	UNV00011954	3-CONDUCTOR LEVER CLAMP WAGO
CBL1-101.04	1	UNV00007404	12/2 SOOW CABLE 600V
CBL1-101.04A CBL1-101.13	2	UNV00007438	12/4 SOOW CABLE

 LARSON ELECTRONICS 9419 E US HWY 175, KEMP, TX 75143	TITLE EXPCMR-ALG-OZ-IC-1080P-1XLE3-5C-QD-50C-12.4-M1-5.15		
	DRAWN BY R.BLACK	DATE 03/29/2021	REV A
	CHECKED BY P.CRYER	SHEET # 1 OF 1	DRAWING # 101

8 7 6 5 4 3 2 1