

TITLE:

**EXPCMR-IP-4MP-IR**

**PROPRIETARY AND CONFIDENTIAL**  
 THE INFORMATION CONTAINED IN THIS DRAWING IS THE SOLE PROPERTY OF LARSON ELECTRONICS LLC. ANY REPRODUCTION IN PART OR AS A WHOLE WITHOUT THE WRITTEN PERMISSION OF LARSON ELECTRONICS LLC IS PROHIBITED.

|                          |  |         |                    |            |              |     |
|--------------------------|--|---------|--------------------|------------|--------------|-----|
| DIMENSIONS ARE IN INCHES |  | DRAWN   | NAME               | SIZE       | DWG. NO.     | REV |
| MATERIAL                 |  | CHECKED | CHRIS THAUER       | <b>A</b>   |              |     |
| DO NOT SCALE DRAWING     |  |         | JEREMY BLANKENSHIP |            |              |     |
|                          |  |         |                    | SCALE: 1:3 | SHEET 1 OF 2 |     |

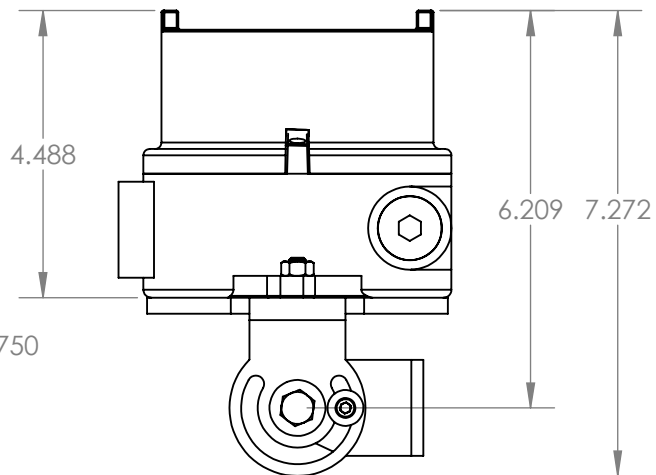
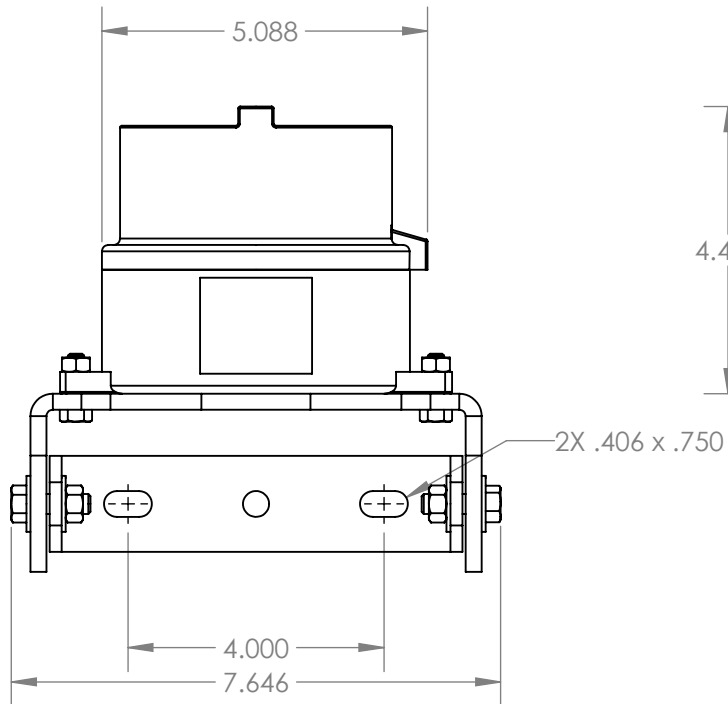
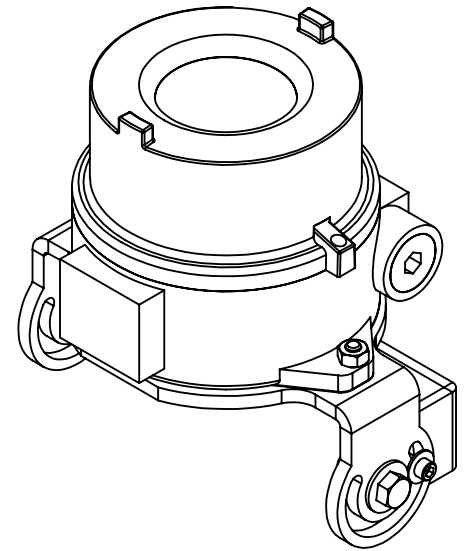
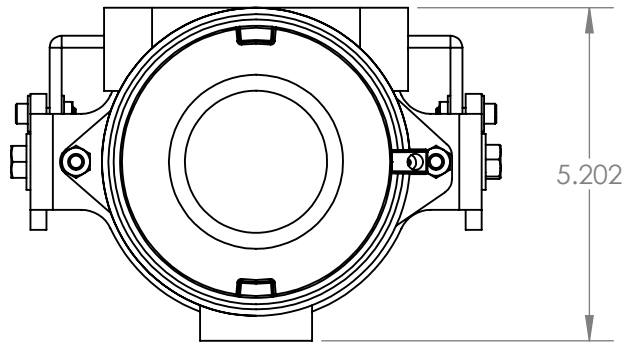
5

4

3

2

1



TITLE:

**EXPCMR-IP-4MP-IR**

**PROPRIETARY AND CONFIDENTIAL**  
 THE INFORMATION CONTAINED IN THIS DRAWING IS THE SOLE PROPERTY OF LARSON ELECTRONICS LLC. ANY REPRODUCTION IN PART OR AS A WHOLE WITHOUT THE WRITTEN PERMISSION OF LARSON ELECTRONICS LLC IS PROHIBITED.

|                          |  |         |                    |            |              |     |
|--------------------------|--|---------|--------------------|------------|--------------|-----|
| DIMENSIONS ARE IN INCHES |  | DRAWN   | NAME               | SIZE       | DWG. NO.     | REV |
| MATERIAL                 |  | CHECKED | CHRIS THAUER       | <b>A</b>   |              |     |
| DO NOT SCALE DRAWING     |  |         | JEREMY BLANKENSHIP |            |              |     |
|                          |  |         |                    | SCALE: 1:3 | SHEET 2 OF 2 |     |

5

4

3

2

1