



Surface mounted closer

1250 Series

Overview

The 1250 Series cast aluminum closer is designed for low-frequency and low abusive traffic areas. This cast aluminum closer is ideal for aluminum storefronts, interior offices and many other applications. Combining dependable operation, low maintenance and a patented stylish look - with or without the optional slim line cover. And with the most common hole pattern in the industry, the 1250 Series is the perfect choice for easy aftermarket replacement.



Cylinder

1250-3071

Cast aluminum cylinder assembly

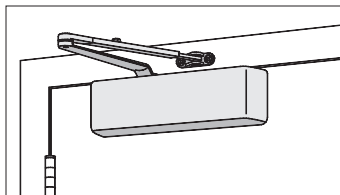
Handing

Non-handed

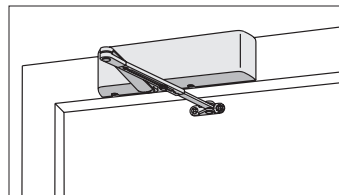
Sizing

Adjustable spring size 1-5

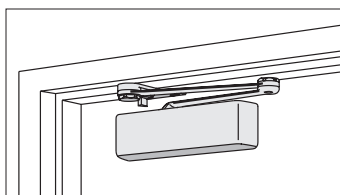
Mounting



Hinge (pull side)



Top jamb (push side)



Parallel arm (push side)



Finishes

Powder coat finishes



689
Aluminum



690
Statuary Bronze



691
Light Bronze



693
Black



695
Dark Bronze



696
Brass

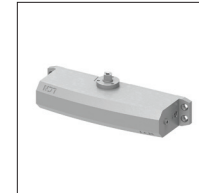
150+ additional custom colors available using the RAL numbering system

Available finish options

MTLPC	Brite metallic: Custom powder coat finish, which resembles that of US26 or US26D plated finish.
SRI	For installations where a higher level of protection against weather conditions, or the effects of a potentially corrosive atmosphere is required, LCN offers a special rust inhibiting (SRI) process. Ferrous metal components receive an SRI pretreatment and a standard powder coat finish of your choice, or a custom powder coat finish for a nominal additional cost. Closers treated with the SRI process exceed the 100 hour protection level available with standard LCN powder coated finishes.

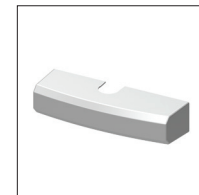
Covers

Standard cover



None

Optional covers



1250-72

Slim line plastic cover

- Non-handed
- Optional

Arms



1250-3077

Regular arm w/PA

- Non-handed
- Mounts hinge side or top jamb
- Parallel Arm includes PA SHOE, 1250-62PA required for parallel arm mounting



1250-3077L

Long arm

- Non-handed
- Includes LONG ROD AND SHOE, 1250-79LR for top jamb mount with deep reveals
- Optional



1250-3077EDA

Extra duty arm

- Non-handed
- Features solid forged steel main and forearm for potentially abusive installations
- Optional



1250-3049EDA

Hold-open extra duty arm

- Handed
- Provides hold-open function adjustable at shoe
- Optional



1250-3049

Hold-open arm with PA

- Non-handed
- Mounts hinge side, top jamb or parallel arm (62PA required)
- Hold-open adjustable at shoe
- Optional



1250-3049L

Long hold-open arm

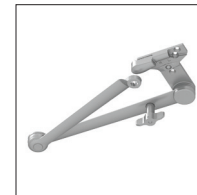
- Non-handed
- Includes LONG HEAD AND TUBE, 1250-3048L for top jamb mount with deep reveals
- Optional



1250-3077CNS

Cush-n-Stop® Arm

- Non-handed
- Features solid forged steel main arm and forearm with stop in soffit shoe
- Optional



1250-3049SCNS

Spring HCUSH arm

- Non-handed
- For abusive applications features solid forged steel main arm and forearm with spring loaded stop in the soffit shoe
- Handle controls hold-open function
- Optional



1250-3077SCNS

Spring CUSH arm

- Non-handed
- For abusive applications features solid forged steel main arm and forearm with spring loaded stop in the soffit shoe
- Optional

Installation accessories



1250-18

Plate

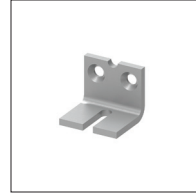
- Required for hinge side mount where top rail is less than 2-3/8" (60mm)
- Required for top jamb mounting where head frame is less than 1-3/4" (44 mm) or flush ceiling condition exists
- Requires minimum 1-1/2" (38 mm) minimum top rail or 1-1/4" (32 mm) head frame



1250-18PA

Plate

- Required for parallel arm mounting where top rail is less than 4-1/2" (114mm), measured from the stop
- Requires 1-3/4" (44 mm) minimum top rail



1250-30

CUSH shoe support

- Provide anchorage for fifth screw used with CUSH arms where reveal is less than 2-3/4" (70mm)



1250-61

Blade stop spacer

- Lowers parallel arm shoe to clear 1/2" (13 mm) blade stop



1250-62A

Auxiliary shoe

- Requires a top rail of 7-1/8" (181mm). Optional shoe replaces -62PA for parallel arm mounting of regular arm with overhead holder/stop



1250-419

PA flush panel adapter

- Provides horizontal mounting surface for PA, EDA or CUSH shoe on single rabbeted or flush frame



1250-62PA

PA shoe

- Required for parallel arm mounting

Fasteners

Universal screw pack (UNIV) included standard

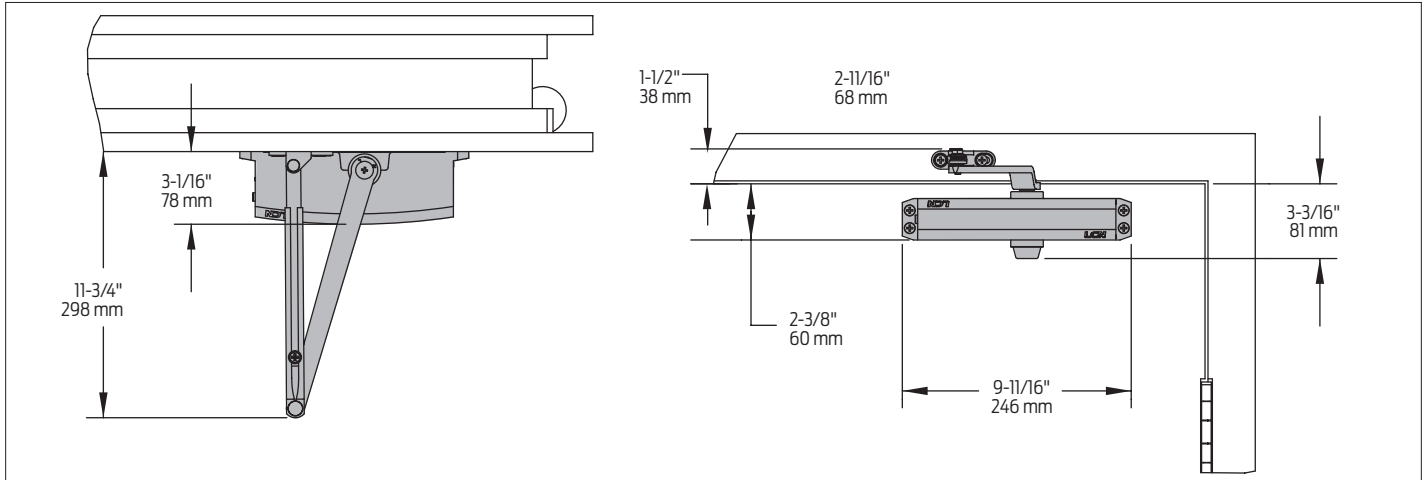
Fastener pack options

TORX	TORX Machine Screw
TBTORX	TB ¹ and TORX Machine Screw

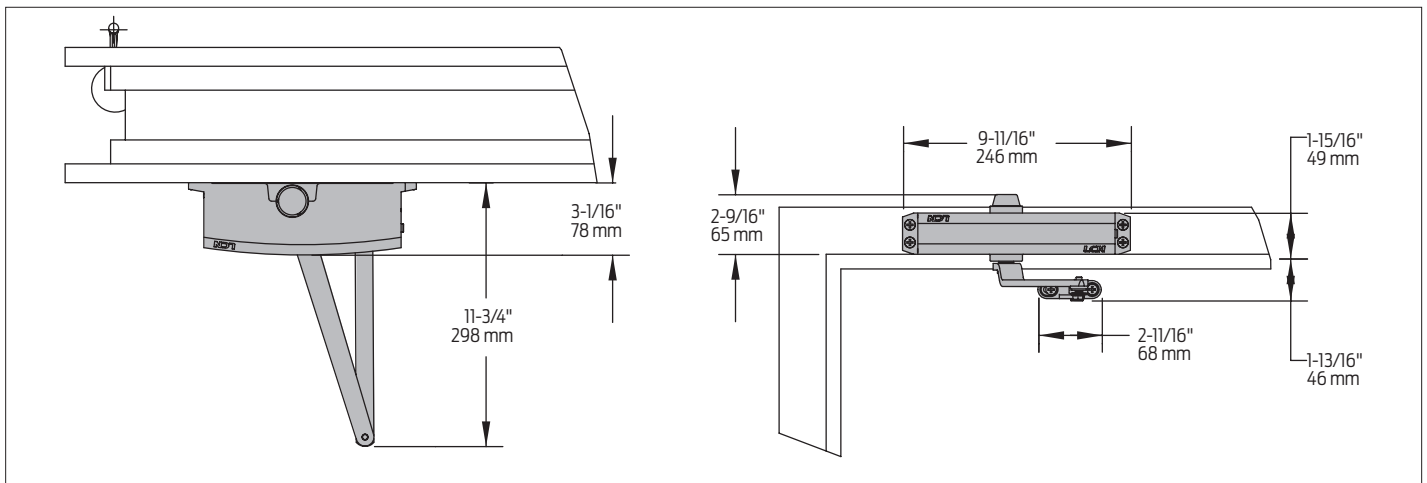
¹ Specify door thickness if other than 1-3/4"

Dimensions and mounting

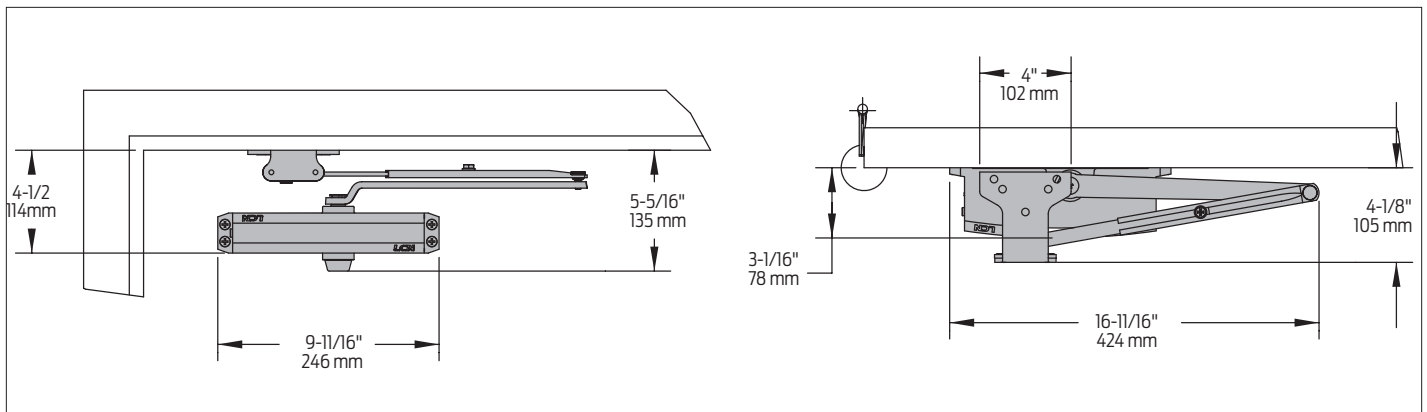
Hinge (pull) side mounting



Top jamb (push side) mounting

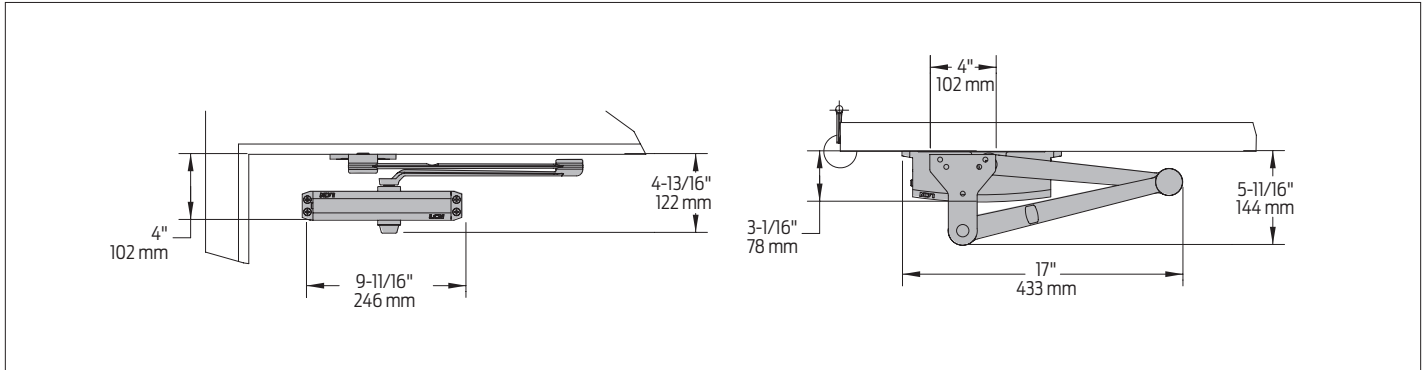


Parallel arm (push side) mounting

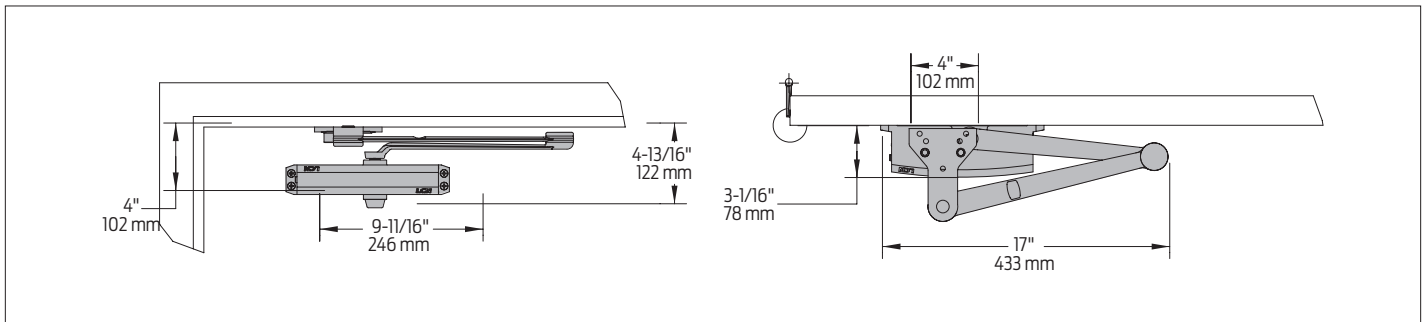


Dimensions and mounting

EDA mount



CUSH/SCUSH mount



Specifications

Accessibility	Available with less than 5.0 lbs. opening force on 36" door
Certifications/ approvals	<ul style="list-style-type: none"> ■ Grade 1 - ANSI A156.4 ■ UL 10C ■ Meets BAA - Buy American Act
Degree of operation	<p>Hinge (pull) side</p> <p>Max opening: 180°</p> <p>Hold open: 180°</p> <p>Top jamb (push side) mount</p> <p>Max opening: 180°</p> <p>Hold open: 180°</p> <p>Parallel arm with 62PA</p> <p>Max opening: 180°</p> <p>Hold open: 180°</p> <p>EDA</p> <p>Max opening: 180°</p> <p>Hold open: 180°</p> <p>Cush</p> <p>Max opening: 110°</p> <p>Hold open: 110°</p>
Environmental conditions	<ul style="list-style-type: none"> ■ Approved for interior use ■ Approved for exterior use (SRI coated only) ■ LCN's standard all weather fluid performs to temperature ranges from 120°F (49°C) to -30°F (-35°C) ■ LCN's powder coat finish surpasses 100 hours of salt spray which is over four times the ANSI standard for corrosion resistance.
Warranty	15 years
Standard features	<ul style="list-style-type: none"> ■ Cast iron body ■ Full complement bearing ■ 1-3/8" diameter piston ■ 5/8" diameter single heat treated pinion journal