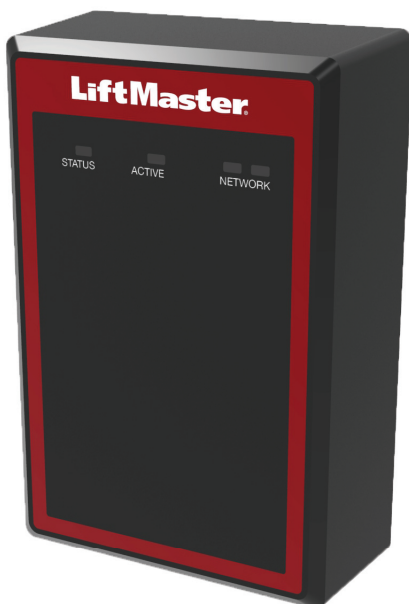


LiftMaster Cloud™
Connected Access Portal 2-Door Controller
INSTALLATION MANUAL

Model CAP2D



LiftMaster®

INTRODUCTION

i

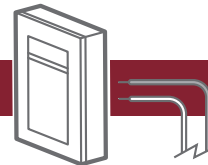
- Safety 3
- Controller Overview 4
- Control Board Overview 4
- Carton Inventory 5
- Tools Needed 5
- Dimensions 5
- Specifications 6
- Electrical Ratings 6
- Wire Specifications 7

1 PRE-INSTALL



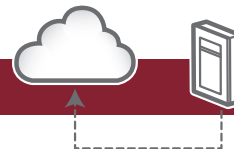
- Internet Service 8
- CP# for Controller 8
- Setup a LiftMaster Cloud Account 8
- Mount the Bracket 9

2 WIRING



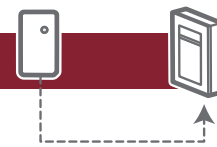
- Connect Power 10

3 NETWORK



- Connect Internet 11

4 ACCESS CONTROL



- Admin Mode 12
- Wiring REX and Doors 12
- Operation 14
- Gate Access 15
- Door Access 16

5 INSTALL



- Install the CAP2D 17
- Troubleshooting 17
- Configuration Sheet 18
- Legal Disclaimers 19
- Warranty 19



For LiftMaster Cloud programming please visit www.LiftMasterCloud.com.

Safety

Safety Symbol and Signal Word Review

When you see these Safety Symbols and Signal Words on the following pages, they will alert you to the possibility of serious injury or death if you do not comply with the warnings that accompany them. The hazard may come from something mechanical or from electric shock. Read the warnings carefully.

When you see this Signal Word on the following pages, it will alert you to the possibility of damage to your property or product if you do not comply with the cautionary statements that accompany it. Read them carefully.

 **WARNING**

MECHANICAL

 **WARNING**

ELECTRICAL

CAUTION

WARNING

To reduce the risk of SEVERE INJURY or DEATH:

- Disconnect power at the fuse box BEFORE proceeding.
- To AVOID damaging gas, power or other underground utility lines, contact underground utility locating companies BEFORE digging.
- ALL electrical connections MUST be made by a qualified individual.
- ALL power and control wiring MUST be run in separate conduit.

To protect against fire and electrocution:

- Disconnect power BEFORE installing or servicing controller.
- NEVER connect a keypad/reader or lock to doors without first consulting the applicable fire code.
- You MUST consult with, and get approval from, local fire officials BEFORE installing locks or devices on ANY doors that may be fire exits.
- Use of egress push buttons may not be legal. Single action exits may be required.
- ALWAYS obtain proper permits and approvals in writing BEFORE installing equipment.

 **WARNING:** This product can expose you to chemicals including lead, which are known to the State of California to cause cancer or birth defects or other reproductive harm. For more information go to www.P65Warnings.ca.gov

UNDERWRITERS LABORATORIES (UL) COMPLIANCE

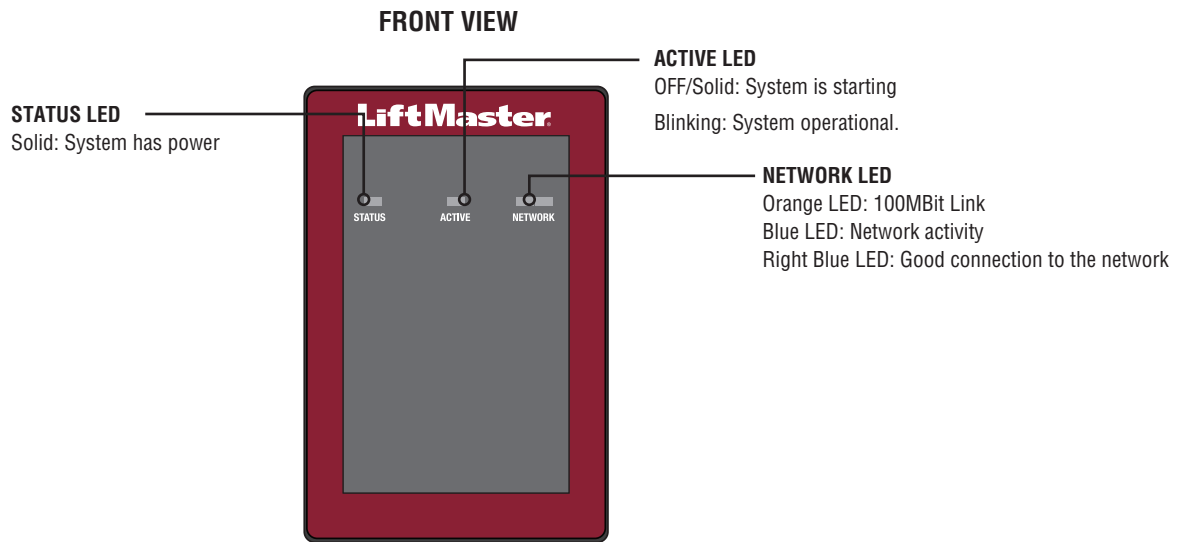
The CAP2D complies with the UL294 Standard for access control units with the following restrictions:

- The system relay contacts shall not be configured in the fail secure mode unless permitted by the local authority having jurisdiction and shall not interfere with the operation of panic hardware.
- The Ethernet port is for supplemental use only, the unit will continue to operate standalone if the network connection is interrupted.
- This unit can be powered over Ethernet via PoE Compatible hardware. Where used, any PoE power source must be UL294 Listed.
- All interconnecting devices must be UL Listed.

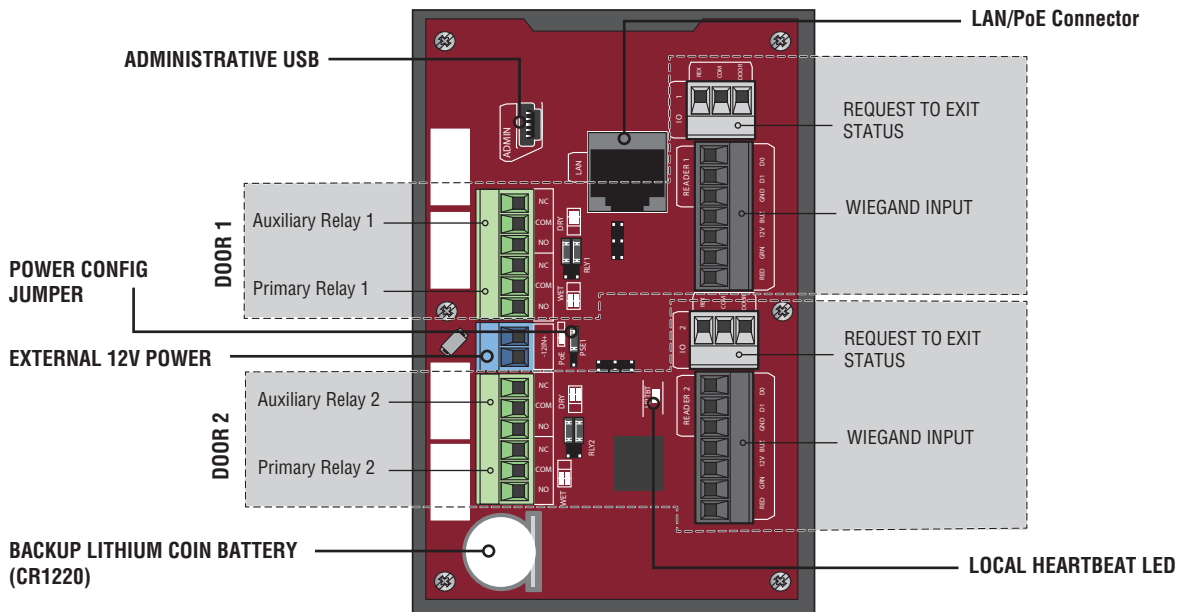
 **WARNING**

DO NOT INSTALL THE SYSTEM IN THE FAIL SECURE MODE UNLESS PERMITTED BY THE LOCAL AUTHORITY HAVING JURISDICTION. Doing so may cause interference with the operation of panic hardware.

Controller Overview



Control Board Overview



Control Board Connection	Description
Administrative USB	Connect via Mini-USB to access administrative
LAN/PoE	Connect to network. May also carry 802.3af/at power
Backup Lithium Battery	Battery preserves the system's data during primary power outages
Local Heartbeat	LED indicates proper function
Relay Indicator	LED lights when relay is engaged (one per relay)
Power Configuration	Jumper selects between PoE and Auxiliary Power

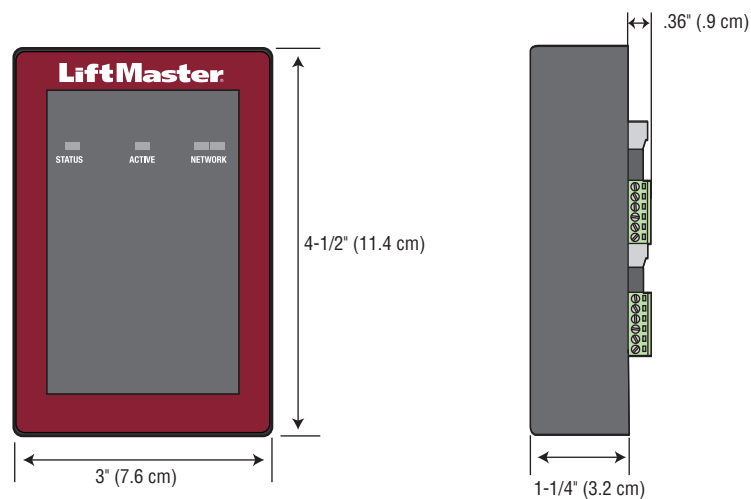
Carton Inventory

- Door Controller
- USB Cable
- Diodes
- Installation Manual

Tools Needed

- PH2 Phillips Screwdriver
- Precision 1/8" Flat or PH0 Phillips Screwdriver
- 1/4" Nut Driver
- Drill/Driver
- 7/64" Drill Bit
- Hammer Drill Bits for Drill/Driver
- RJ45 Crimping Pliers
- Multimeter
- Measuring tape
- Conduit Bender
- Conduit Cutter/Reamer
- Hack Saw
- Center Punch Tool
- Hammer

Dimensions



Specifications

CAP2D Capacity	People: 25,000 / Events: 8,000
CAP2D Operating Temperature Range	32°F to 125°F (0°C to 49°C)
CAP2D Operational Humidity	5% to 95% non-condensing
Storage and Shipping Temperature Range	-40°F to 149°F (-40°C To 65°C)
Wiegand Inputs (2)	26Bit, 30Bit. The CAP2D is compatible with Wiegand devices that transmit up to 255 bit data
2 Primary and 2 Auxiliary Relay Outputs	SPDT
Accessory Compatibility	Refer to the accessory page for compatible accessories
Network Compatibility	10/100/1,000 Ethernet
Wire Specification	RJ-45 Wired Ethernet

Electrical Ratings

POWER IN	VOLTAGE	POWER (MIN)
Auxiliary Input	12 VDC	13 Watts
Power Over Ethernet	44-57 VDC	13 Watts

POWER OUT	VOLTAGE	CURRENT (MAX)
Relays (wet)	12 VDC	750mA (combined)
Wiegand Readers	12 VDC	750mA (combined)
Relays (dry-inductive)	30 VDC (max)	2,000mA

NOTE: IP Door Controller is to be connected to UL Listed Commercial 294 or 603 Power Supply for Auxiliary, or UL Listed 294/294b PoE Listed power supply for Power over Ethernet.

Wire Specifications

Use this chart to pull wires in preparation of your installation.

DESCRIPTION OF WIRE RUN	WIRE SPECIFICATION	MAXIMUM RUN DISTANCE
Power Wire, secondary DC output	2-Conductor 14 AWG	Up to 60 feet (18.3 m)
	2-Conductor 16 AWG	Up to 37 feet (11.3 m)
	2-Conductor 18 AWG	Up to 24 feet (7.3 m)
Local Area Network (LAN) CAT 5/6 Network Cable	8-Conductor, 24 AWG Twisted pair	328 feet* (100 m)
Door Strike/LiftMaster Gate Operator	2-Conductor 18-22 AWG Shielded	100 - 250 feet (30.5 - 76.2 m)
Magnetic Lock	2-Conductor 18-22 AWG	50 - 125 feet (15.2 - 38.1 m)
Dry Contact Closure (Most Gate Operators)	2-Conductor 18-22 AWG Shielded	500 - 2500 feet (152.4 - 762 m)
Exit Request (REX)	2-Conductor 18-22 AWG	500 feet (152.4 m)
Supervised Input	2-Conductor 18-22 AWG	500 feet (152.4 m)
Wiegand/Proximity Readers	7-Conductor 18-22 AWG Shielded	500 feet (152.4 m)

NOTE: Main power supply and control wiring **MUST** be run in separate conduits. Conduits must be UL approved for low and high voltage. Refer to the NEC, ANSI/NFPA 70 for additional wiring requirements.

NOTE: Place the CAP2D unit within 500 feet of its associated electronic strike or latch. Monitoring Software is not UL evaluated.

Always provide power from a dedicated source. Plug provided transformer into an outlet wired to its own 10 Amp minimum circuit breaker. This will prevent two problems:

- Other equipment cannot introduce spikes, noise, surges or dips into the power circuit that will affect the system.
- The system's operation will not be affected if any other equipment develops a short circuit across the power line.

*** CAT 5/6 NETWORK CABLE NOTES:**

- For outdoor distances exceeding 140 feet (42.7 m), a UL497 compliant primary surge protector **MUST** be installed at the controller.
- Distances exceeding 328 feet (100 m) can be accommodated with additional hardware. Contact Technical Support for more information. Additional hardware was not evaluated under UL294.

1 Internet Service

The controller MUST be configured with the proper network settings to operate.

NETWORK

Internet service provider: _____

Automatic IP addressing: DHCP (default setting)

OR

Static IP Addressing: Optional, requires connection to PC with USB (**NOTE:** Write down the following for future reference: IP, Netmask, Gateway, Primary, Secondary, Server Port)

2 CP# for Controller

(Located on a label on the housing)

IPC - _ _ - _ _ _ _ _



3 Setup a LiftMaster Cloud Account

NOTE: If you have an existing MyQ® account, your LiftMaster Cloud account will have the same password.

1. If you do not have a LiftMaster Cloud Account, call LiftMaster Customer Care at 800.323.2276 to activate a LiftMaster Hosted Cloud Service account.
2. You will get a welcome email from LiftMaster. Accept the email invitation and register or login to your account.
3. Set up the Facility and add residents and credentials (refer to the available Help in LiftMaster Cloud).
4. Continue with the installation of the CAP2D in this manual.



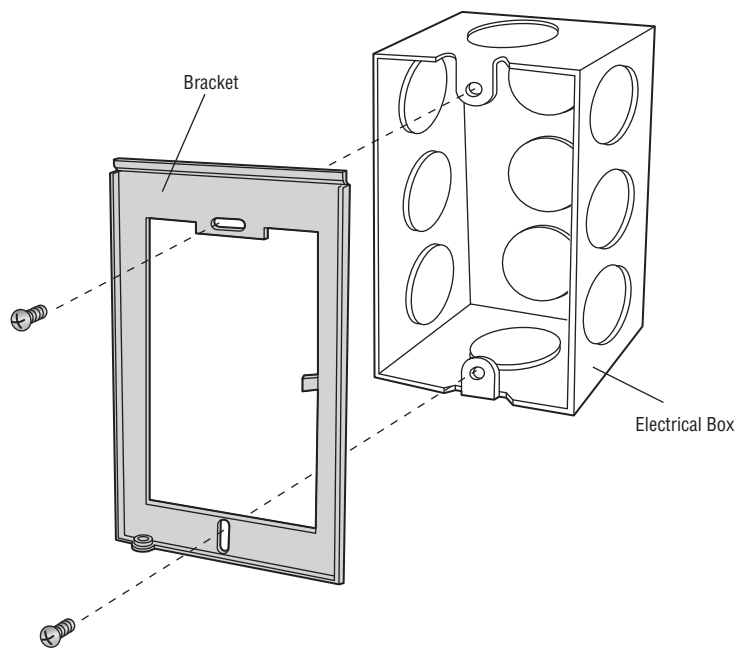
For LiftMaster Cloud programming please visit www.LiftMasterCloud.com.

4 Mount the Bracket

1. Install an electrical box in the desired mounting location.

NOTE: Use 4" square electrical box (minimum of 1 1/2" deep) with a single-gang plaster ring. Use Wiremold® V5744S or BW35 for surface-mount installations.

2. Remove the bracket from the back of the CAP2D.
3. Mount the bracket to the electrical box.
4. Run all wiring to the electrical box.
5. Once all the wiring is completed, position the CAP2D in the bracket and secure it at the bottom with the provided screw.



1 Connect Power

USING PoE (POWER OVER ETHERNET):

1. Connect Ethernet cable to the Ethernet port on the control board.
2. Move PoE jumper to Power over Ethernet (PoE) setting.

USING A DC POWER SUPPLY:

The outlet for the controller MUST be an external dedicated 120 Vac outlet located within 60 feet (18.3 m) cable run of the controller. This outlet is recommended to be wired back to its own 10 Amp minimum circuit breaker.

WIRE SPECIFICATION	MAXIMUM RUN DISTANCE
14 AWG	Up to 60 Feet (18.3 m)
16 AWG	Up to 37 Feet (11.3 m)
18 AWG	Up to 24 Feet (7.3 m)

1. Connect 14-18 AWG wire to the stripped secondary DC output wires on the power supply. Black is negative and red is positive.
2. Connect the power supply wires to the +12IN- terminal block (red to + and black to -).
3. Plug the power supply into a 120 Vac outlet after all connections have been made.

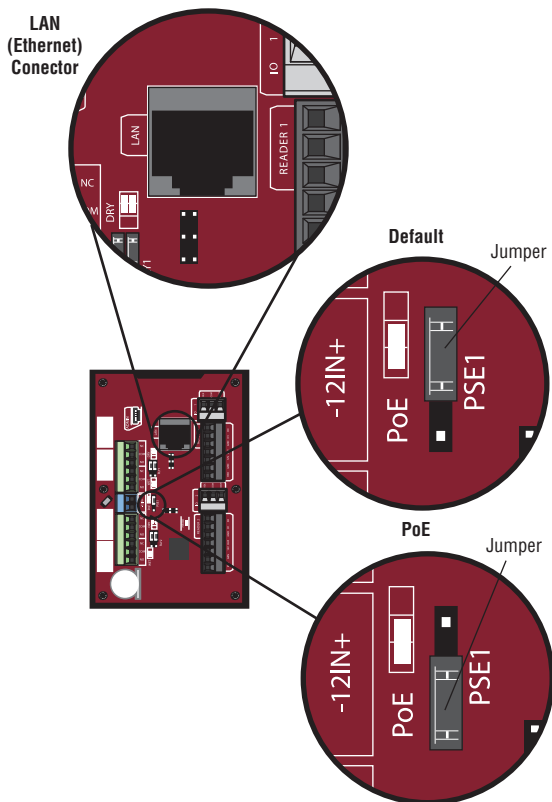
⚠️ WARNING

DO NOT connect a DC power supply if Power Over Ethernet (PoE) is selected and connected. Board may be damaged and is NOT covered under the warranty

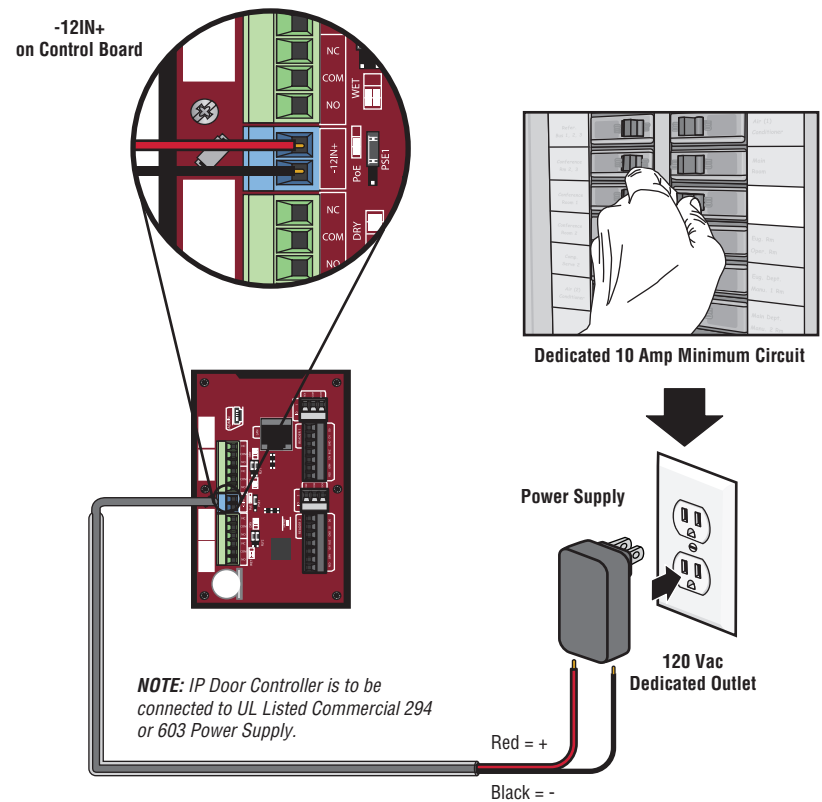
CAUTION

- DO NOT power electronic strikes and latches with the same power supply used to power the access control panel; doing so will cause DAMAGE to the controller. Use ONLY a UL listed burglar alarm or access control system to power electronic strikes and latches.
- DO NOT connect the power supply to a switched outlet or otherwise controlled AC outlet.
- DO NOT connect the power supply to the 120 Vac outlet until ALL wiring is completed.
- Install the transient noise suppression device (MOV) supplied with the controller for AC powered devices and Diode for DC powered devices.

PoE (Power Over Ethernet)



Power Supply

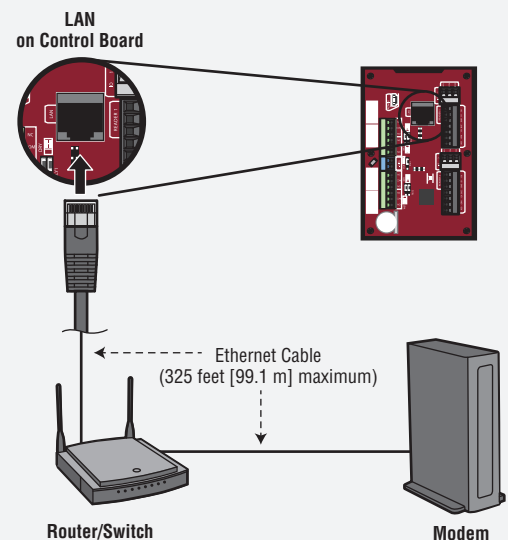


1 Connect Internet

Connect with LAN

The Local Area Network (LAN) port is a 10/100 Ethernet interface with an RJ45 jack for connecting the CAP2D to a hub, switch, or router in order to gain connectivity to the Internet. Use a straight, (i.e., non-crossover) Cat5, Cat5e, or Cat6 cable to connect to a local hub, switch or router. This type of cable is referred to as an Ethernet cable in this manual.

1. Connect an Ethernet cable from the hub, switch, or router to the LAN port on the Control Board. When connected properly, the green and amber LED on the Ethernet port will light/flicker. If the green LED is not lit, check the connections on the controller and the Ethernet hub.
2. The default connection is DHCP, no additional configuration is required. If a fixed IP address is required for your setup, use the USB cable provided to connect the controller to a PC.



Static IP (Optional)

LiftMaster recommends the CAP2D be used in Dynamic IP (DHCP) mode, but it can be set to Static IP if required.

1. Connect the CAP2D to your laptop using the included USB connector. Connect power to the CAP2D using either a router/switch capable of providing Power Over Ethernet (POE) or the included power supply. If using the included power supply, move the POE jumper.
2. Install USB drivers
 - a. If using Windows Vista/7/10
 - b. Navigate to "Computer"
 - c. Right click on "LiftMaster CAP2D Resources"
 - d. Click on the "Driver" folder
 - e. Click on the "LiftMasterCAP2DDriverSupport"
 - f. Allow the setup program to use administrative privileges
 - g. Click "Next"
 - h. Accept any warning dialogs
 - i. Click Finish
 - j. After Installation, a message will display asking you to reboot the PC. You may select "Reboot Later".
 - k. Remove the USB Cable from the PC and wait for the PC to acknowledge removal.
3. Set static IP address:
 - a. Next Reinsert the USB cable into the PC and wait for the PC to acknowledge the device.
 - b. Open your browser and enter the address <http://192.168.207.1> to access the Administrator Interface.
 - a. The login page displays:
 - d. The login is "cli".
 - e. The password is "new5cli".
 - f. Click on the Networking tab.
 - g. Click IP Configuration.
 - h. Click the "Deactivate DHCP" button.
 - i. Fill in the fields according to the IT staff.
 - j. Click Set Static Parameters. Changes have been saved.
4. How to return to DHCP Configuration
 - a. Open your browser and enter the address <http://192.168.207.1>
 - b. The login page displays:
 - c. The login is "cli"
 - d. The password is "new5cli".
 - e. Click Networking tab.
 - f. Click IP Address Configuration. Click the "Activate DHCP" button.
5. To verify connectivity:
 - a. Open LiftMaster Cloud
 - b. Add the CAP2D to a facility and confirm status is "Online"

Admin Mode

1. Connect a laptop to the CAP2D ADMIN USB port on the unit using a standard USB Mini-B cable.
 - a. The CAP2D ADMIN port is a USB interface for connecting the CAP2D unit to a laptop or PC to gain access to the local administrative interface for debug and manual configuration utilities.
 - b. The port requires a USB Mini-B cable for access between the laptop and the CAP2D unit.

Wiring REX (Request-to-Exit) and Doors/LiftMaster Gate Operators

1. Wire the REX and DOOR terminal block.
 - a. Connect the Normally Open (NO) contacts of the REX device to the REX and COM terminals.
 - When the switch closes, it initiates a Request-to-Exit (REX) program sequence, including the option to activate the door or other relays, fire and door strike, and suppress any “Door Forced” messages.
 - b. Connect the Normally Closed (NC) contacts of the Door Sensor to the COM and CONTACT terminals.
 - In this context, an NC switch is considered closed when the door is closed (magnet present), and open when the door is open (no magnet is present).
 - When the switch is open, the control panel interprets this input as a “Door Open” condition. When the switch is closed, the control panel interprets this input as a “Door Closed” condition.
 - This circuit provides door status information (open/closed) to the control panel so LiftMaster Cloud can take appropriate action locally, or send email notifications if necessary.
2. Wire the DOOR LOCK RELAY terminal block.
 - a. Connect the door latch to the COM terminal and either the NO or NC terminal.
 - b. The DOOR LOCK RELAY provides both NO (Normally Open) and NC (Normally Closed) contacts, and is driven in response to the presentation of valid credentials or the programmable REX input.
 - c. Timing and other aspects of relay activation are programmed through LiftMaster Cloud.
3. If used for an alarm shunt, wire the AUX RELAY 1 terminal block. If not used for an alarm shunt, AUX RELAY 1 can be used for a variety of purposes.
4. Wire AUX RELAY 2. Like the AUX RELAY 1, this terminal block can be used for a variety of purposes.

NOTE: The fully programmable AUX RELAYS provide both NO (Normally Open) and NC (Normally Closed) contacts.



WARNING

There is a 3 AMP 24 Volt DC limit on through current for ALL relays.

Wiring REX and Doors/LiftMaster Gate Operators (continued)

5. Wire the Reader switches to the Wiegand Input of terminals in this door node.

As of the drafting of this manual, the following readers have been tested by the Underwriters Laboratories for use with this equipment:

- HID ProxPoint Plus
- HID Thinline II
- HID iClass RPK40CKNN
- HID iClass R10CKNN
- XCEEDID X1050B-B READER
- LiftMaster KPR2000

NOTE: Refer to the Wiring Guide provided with the Reader/Keypad for connection diagrams.

- Use the wire recommended by the manufacturer of the reader or keypad. If no wire is recommended, use a minimum of 22 AWG wire with sufficient conductors that include shield (drain).
 - The reader interface uses standard Wiegand wiring conventions. Connect the wire properly to the terminal block on the appropriate board node. Following is a typical, but not universal, wiring guide. Refer to the Wiring Guide provided with the Reader/Keypad for guidelines related to your specific reader or keypad.
 - Connect the green reader wire to the DATA0 terminal. This is the standard Data 0 circuit for Wiegand readers.
 - Connect the white reader wire to the DATA1 terminal. This is the standard Data 1 circuit for Wiegand readers.
 - Connect the black reader wire to the GND terminal. This is the standard Ground circuit for the reader.
 - Connect the blue reader wire to the BUZZ terminal. This is the standard Buzzer circuit for the reader.
 - Connect the red reader wire to the 12VDC terminal. This provides +12VDC to power the reader.
 - Connect the orange reader wire to the GRN LED terminal. This is the green LED circuit.
 - Connect the brown reader wire to the RED LED terminal. This is the red LED circuit.
6. Install MOVs.
- For LiftMaster Gate operators, install the MOV across the NC and Common terminals, as close as possible to the electric strike or latch. This will normally be at the connection from the field-installed wiring to the pigtail or screw terminals of the electronic strike or latch.
 - Use the wire recommended by the manufacturer of the electric strike or latch. If no wire is recommended, use a minimum of 18 AWG wire with sufficient strands for the specific electronic strike or latch.



WARNING

Install the transient noise suppression device (mov) supplied with the control panel.

Operation

Normal Standby Operation: The CAP2D is always in ready state and is monitoring its inputs for changes. If any of the inputs change state, the CAP2D responds locally and communicates the change to LiftMaster Cloud.

Reader/Keypad Operation: The CAP2D is designed to work with an approved reader and keypad using standard 26 bit Wiegand format. Some keypads may use ASCII format to pass Entry Codes.

Refer to the wiring diagram for physical connection to the CAP2D. Refer to the reader and keypad manual for full operating instructions.

Access Granted/Access Denied: When a valid credential is presented, access is granted with no audio or visual feedback from the CAP2D. Some accessory devices may provide feedback. E.g., a card reader or receiver may beep or change colors of an LED to convey the status.

Maintenance and Testing: No periodic maintenance or testing is required for the product to maintain safe normal operation.

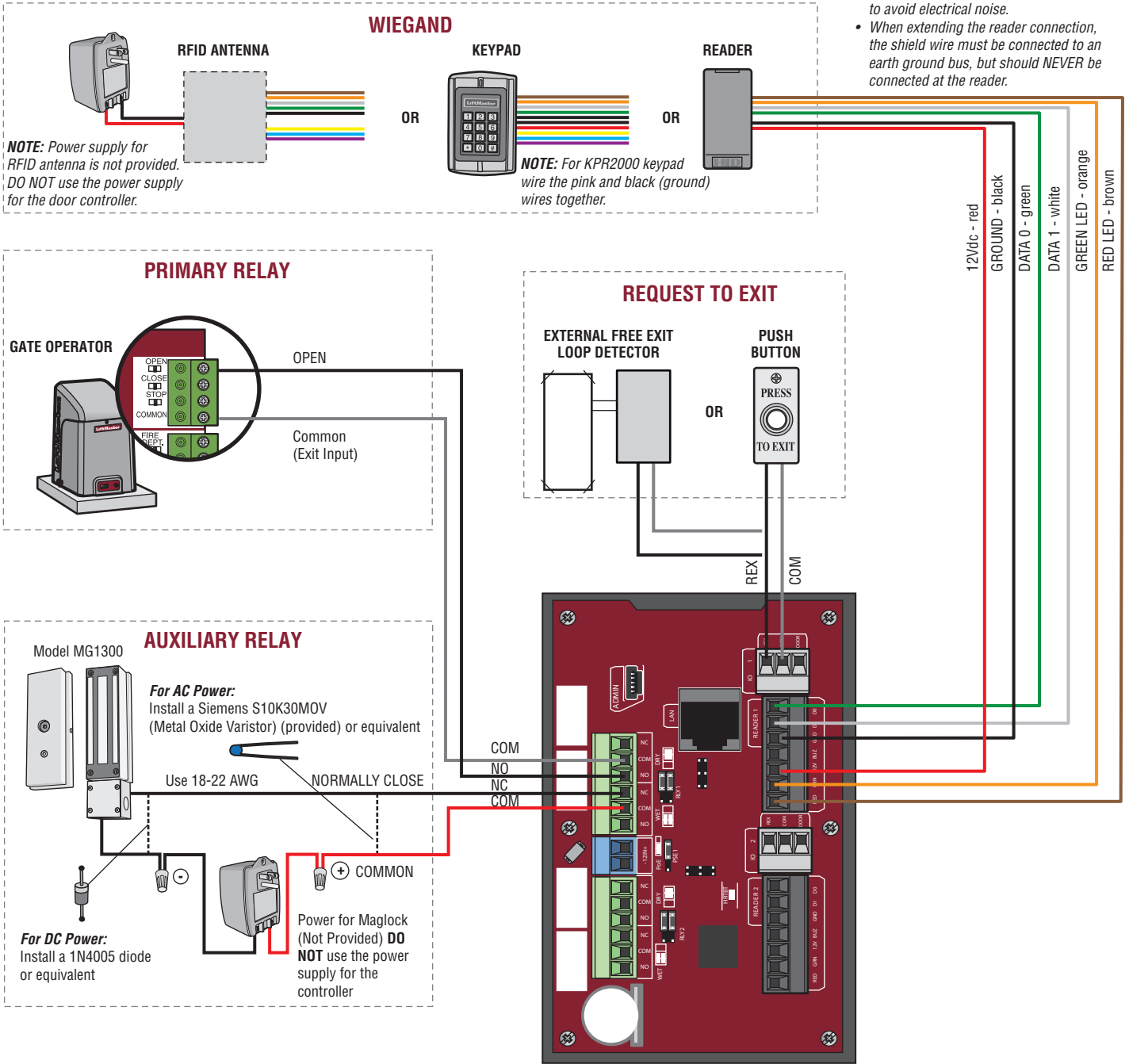
Gate Access

Disconnect power **BEFORE** making electrical connections. Below is an example of a wiring setup for gate access. Gate access can be wired to Door 1 or 2.

NOTE: Power Supplies shall be UL Listed Commercial 294 or 603 power limited output Power Supplies.

NOTES:

- The length of the unshielded wires should be kept to a minimum to avoid electrical noise.
- When extending the reader connection, the shield wire must be connected to an earth ground bus, but should NEVER be connected at the reader.



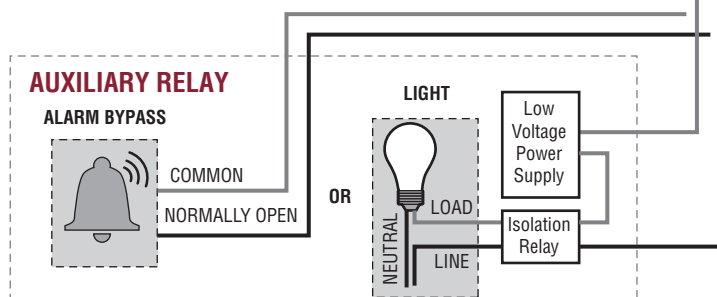
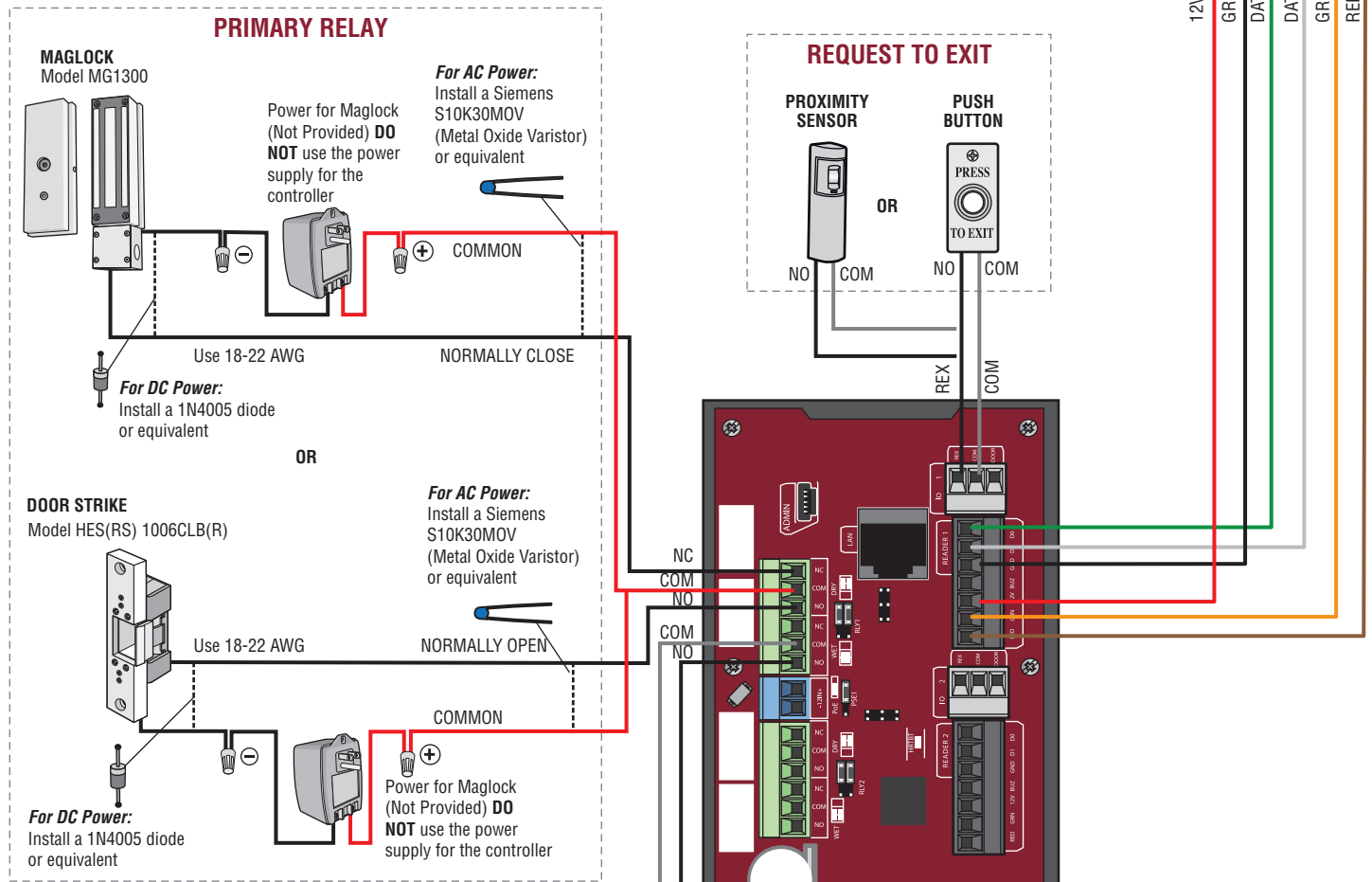
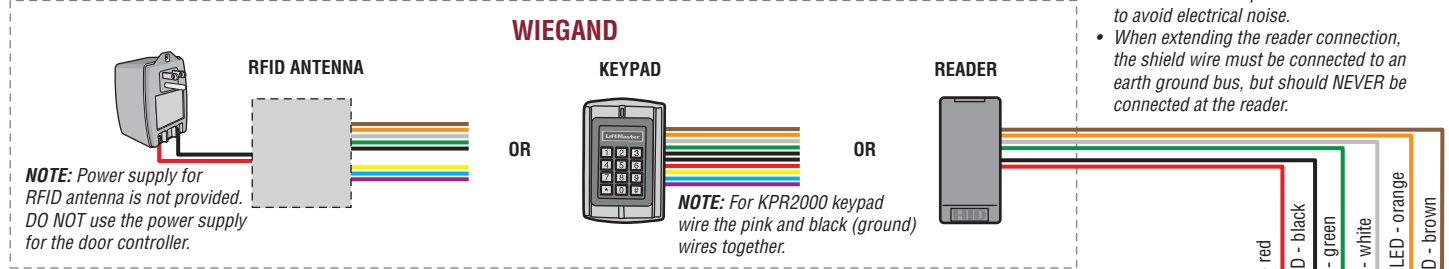
Door Access

Disconnect power **BEFORE** making electrical connections. Below is an example of a wiring setup for door access. Door access can be wired to Door 1 or 2.

NOTE: Power Supplies shall be UL Listed Commercial 294 or 603 power limited output Power Supplies.

NOTES:

- The length of the unshielded wires should be kept to a minimum to avoid electrical noise.
- When extending the reader connection, the shield wire must be connected to an earth ground bus, but should **NEVER** be connected at the reader.

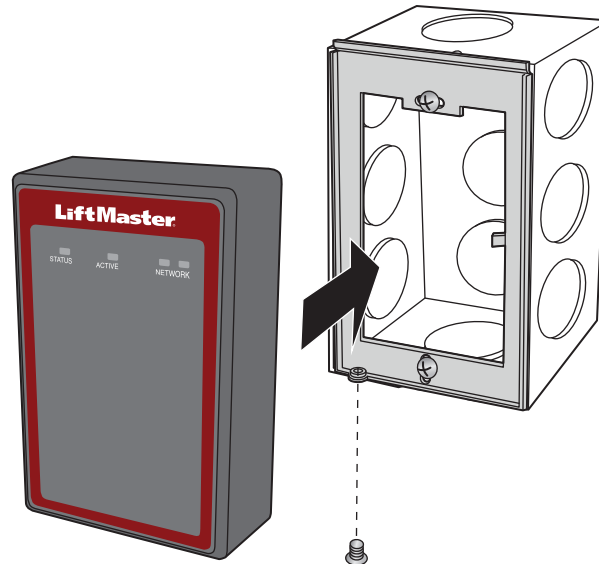


NOTE: DO NOT run high voltage power within the CAP2D enclosure. This configuration has not been evaluated by UL. Use UL Listed Power Limited Power Supplies and UL Listed Isolation Relays.

1 Install the CAP2D

1. Make sure all the wiring is tucked into the electrical box.
2. Slide the CAP2D onto the bracket and secure with the screw.

NOTE: The control units shall be mounted in a protected area. The exit device REX and wiring must be contained within the secured area.



Validate Proper Operation: Test each credential type and ensure proper behavior of each gate/door connected to CAP2D. Valid credentials and Request to Exit inputs should trigger the relay. Go to LiftMasterCloud.com for programming and to check CAP2D activity and status.

Troubleshooting

CAP2D does not power on after connecting 12VDC transformer.

Check position of PoE jumper. Move jumper to the top position.

Relay does not trigger when a credential is presented.

Check power; are LEDs powered on? Check input devices and connections for proper operation. Check LiftMaster Cloud activity log to aid in diagnosing.

I received an email saying the CAP2D was offline.

Check LiftMaster Cloud for latest online/offline status. If still offline check local Internet connection and power to the CAP2D. Sometimes this is also triggered during regular maintenance on the LiftMaster Cloud Servers. CAP2D stores the database locally and continues to provide access control without an Internet connection. Activity and database changes are only exchanged with LiftMaster Cloud when CAP2D is online.



For LiftMaster Cloud programming please visit www.LiftMasterCloud.com.

Configuration Sheet

Record device information and configuration settings below.

Controller Name: <i>NOTE: Any user of the system is subject to the terms outlined in the product EULA.</i>
Notes:

DEVICE CONFIGURATION:

DOOR 1	DOOR/GATE NAME:		
INPUTS	WIEGAND	REX	STATUS
			EOL (Y / N)
OUTPUTS	PRIMARY RELAY		AUXILIARY RELAY
	N.O.	N.C.	N.O. N.C.
Notes:			

DOOR 2	DOOR/GATE NAME:		
INPUTS	WIEGAND	REX	STATUS
			EOL (Y / N)
OUTPUTS	PRIMARY RELAY		AUXILIARY RELAY
	N.O.	N.C.	N.O. N.C.
Notes:			

Legal Disclaimers

Federal Communications Commission (FCC) Compliance

This equipment has been tested and found to comply with the limits for a Class B digital device, pursuant to Part 15 of the FCC Rules. These limits are designed to provide reasonable protection against harmful interference in a residential installation or when the equipment is operated in a commercial environment. This equipment generates, uses and can radiate radio frequency energy and, if not installed and used in accordance with the instruction manual, may cause harmful interference to radio communications. However, there is no guarantee that interference will not occur in a particular installation. If this equipment does cause harmful interference to radio or television reception, which can be determined by turning the equipment off and on, the user is encouraged to try to correct the interference by one or more of the following measures:

- Increase the distance between the equipment and receiver.
- Connect the equipment to a circuit other than the one to which the receiver is connected.
- Consult the dealer for help.

Canada-Underwriters Laboratories (C-UL) Compliance

For C-UL Listed applications, the controller shall be installed in accordance with Part 1 of the Canadian Electrical Code.

Documentation Disclaimer and Restrictions

Information in this document is subject to change without notice and does not represent a commitment on the part of LiftMaster. For the most up-to-date information, visit www.LiftMaster.com.

This document and the data herein shall not be duplicated, used or disclosed to others for procurement or manufacturing, except as authorized with the written permission of LiftMaster. The information contained within this document or within the product itself is considered the exclusive property of LiftMaster. All information in this document or within the hardware and software product themselves is protected by the copyright and/or other intellectual property laws of the United States.

UL 294 Access Control Unit Level 1 (Attack, Endurance, Line Security, Standby)

NOTICE: To comply with FCC and/or Industry Canada (IC) rules, adjustment or modifications of this digital device are prohibited. THERE ARE NO USER SERVICEABLE PARTS. Any changes or modifications not expressly approved by the party responsible for compliance could void the user's authority to operate the equipment.

This device complies with Part 15 of the FCC rules and IC License-Exempt RSS Standard(s). Operation is subject to the following two conditions: (1) this device may not cause harmful interference, and (2) this device must accept any interference received, including interference that may cause undesired operation.

This Class B digital apparatus complies with Canadian ICES-003.

This device has been tested and found to comply with the limits for a Class B digital device, pursuant to part 15 of the FCC rules. These limits are designed to provide reasonable protection against harmful interference in a residential installation. This equipment generates, uses and can radiate radio frequency energy and, if not installed and used in accordance with the instructions, may cause harmful interference to radio communications. However, there is no guarantee that interference will not occur in a particular installation. If this equipment does cause harmful interference to radio or television reception, which can be determined by turning the equipment off and on, the user is encouraged to try to correct the interference by one or more of the following measures:

- Reorient or relocate the receiving antenna.
- Increase the separation between the equipment and receiver.
- Connect the equipment into an outlet on a circuit different from that to which the receiver is connected.
- Consult the dealer or an experienced radio/TV technician for help.
- This device must be installed in a way where a minimum 8" (20 cm) distance is maintained between users/bystanders and device.

Warranty

LiftMaster ("Seller") warrants to the first purchaser of this product, for the structure in which this product is originally installed, that it is free from defect in materials and/or workmanship for a period of two years from the date of purchase.

The proper operation of this product is dependent on your compliance with the instructions regarding installation, operation, maintenance and testing. Failure to comply strictly with those instructions will void this limited warranty in its entirety.

If, during the limited warranty period, this product appears to contain a defect covered by this limited warranty, call 1-800-528-2806 before dismantling this product. Then send this product, pre-paid and insured, to our service center for warranty replacement. Products returned to Seller for warranty replacement, which upon receipt by Seller are confirmed to be defective and covered by this limited warranty, will be replaced (at Seller's sole option) at no cost to you and returned pre-paid. Defective parts will be replaced with new or factory-rebuilt parts at Seller's sole option.

THIS LIMITED WARRANTY IS IN LIEU OF ANY OTHER WARRANTIES, EXPRESS OR IMPLIED, INCLUDING ANY IMPLIED WARRANTY OF MERCHANTABILITY OR FITNESS FOR A PARTICULAR PURPOSE OR OTHERWISE, AND OF ANY OTHER OBLIGATIONS OR LIABILITY ON SELLER'S PART. THIS LIMITED WARRANTY DOES NOT COVER NON-DEFECT DAMAGE, DAMAGE CAUSED BY IMPROPER INSTALLATION, OPERATION OR CARE (INCLUDING, BUT NOT LIMITED TO ABUSE, MISUSE, FAILURE TO PROVIDE REASONABLE AND NECESSARY MAINTENANCE, UNAUTHORIZED REPAIRS OR ANY ALTERATIONS TO THIS PRODUCT), LABOR CHARGES FOR REINSTALLING A REPAIRED OR REPLACED UNIT, PROBLEMS RELATED TO INTERFERENCE, OR REPLACEMENT OF BATTERIES.

UNDER NO CIRCUMSTANCES SHALL SELLER BE LIABLE FOR CONSEQUENTIAL, INCIDENTAL OR SPECIAL DAMAGES ARISING IN CONNECTION WITH USE, OR INABILITY TO USE, THIS PRODUCT. IN NO EVENT SHALL SELLER'S LIABILITY FOR BREACH OF WARRANTY, BREACH OF CONTRACT, NEGLIGENCE OR STRICT LIABILITY EXCEED THE COST OF THE PRODUCT COVERED HEREBY. NO PERSON IS AUTHORIZED TO ASSUME FOR US ANY OTHER LIABILITY IN CONNECTION WITH THE SALE OF THIS PRODUCT.

Some states do not allow the exclusion or limitation of consequential, incidental or special damages, so the above limitation or exclusion may not apply to you. This limited warranty gives you specific legal rights, and you may also have other rights which vary from state to state.

All trademarks, service marks, and product or service names are trademarks or registered trademarks of their respective owners.

© 2017 LiftMaster
All rights reserved.

Contrôleur de 2 portes à portail d'accès connecté
LiftMaster Cloud™

MANUEL D'INSTALLATION

Modèle CAP2D



LiftMaster®

INTRODUCTION

i

Sécurité.....	3
Présentation du contrôleur.....	4
Présentation du tableau de commande.....	4
Contenu de l'emballage.....	5
Outils nécessaires.....	5
Dimensions.....	5
Caractéristiques techniques.....	6
Caractéristiques électriques.....	6
Caractéristiques techniques du câblage.....	7

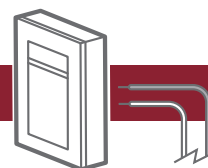
1 PRÉINSTALLATION

LiftMaster
Cloud™

Service Internet.....	8
N° CP pour contrôleur.....	8
Configuration d'un compte LiftMaster Cloud.....	8
Montage du support.....	9

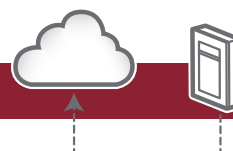
2 CÂBLAGE

Connecter l'alimentation.....	10
-------------------------------	----



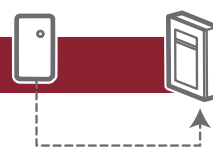
3 RÉSEAU

Connecter l'appareil à Internet.....	11
--------------------------------------	----



4 CONTRÔLE D'ACCÈS

Mode Admin.....	12
Câblage des dispositifs REX et des portes.....	12
Opération.....	14
Accès à la barrière.....	15
Accès à la porte.....	16



5 INSTALLATION

Installer le du CAP2D.....	17
Dépannage.....	17
Fiche de configuration.....	18
Avis légaux.....	19
Garantie.....	19



Pour la programmation LiftMaster Cloud, aller à www.LiftMasterCloud.com.

Sécurité

Examen des symboles de sécurité et des mots de signalement

Les symboles de sécurité et mots de signalement qui figurent sur les pages suivantes avisent le lecteur de la possibilité de blessures graves ou de mort en cas de non-conformité aux avertissements qui les accompagnent. Le danger peut être de source mécanique ou provenir d'une décharge électrique. Lire attentivement les avertissements.

Ce mot indicateur sur les pages suivantes alerte le lecteur de la possibilité de dommages à la porte ou au dispositif de fermeture en cas de non-conformité aux avertissements l'accompagnant. Prière de les lire attentivement.



AVERTISSEMENT

MÉCANIQUE



AVERTISSEMENT

ÉLECTRIQUE

ATTENTION



AVERTISSEMENT

Pour réduire le risque de BLESSURES GRAVES, voire MORTELLES :

- Déconnecter l'alimentation au niveau de la boîte à fusibles AVANT de poursuivre.
- Pour ÉVITER d'endommager les conduites de gaz, les lignes électriques ou autres conduites de services publics, contacter les compagnies de localisation de services souterrains AVANT d'entreprendre les travaux d'excavation.
- TOUTES les connexions électriques doivent être effectuées par une personne qualifiée.
- Tout le câblage d'alimentation et de commune DOIT être acheminé dans un conduit séparé.

Pour protéger contre l'incendie ou l'électrocution :

- Déconnecter l'alimentation AVANT d'installer ou d'effectuer une intervention d'entretien sur le contrôleur.
- NE JAMAIS connecter un clavier/lecteur ou une serrure aux portes sans d'abord consulter le code de prévention des incendies applicable.
- Il est IMPÉRATIF de consulter les autorités du service local des incendies et d'obtenir leur approbation AVANT d'installer des serrures ou des dispositifs à TOUTE porte qui pourrait servir de sortie de secours en cas d'incendie.
- Il est possible que l'utilisation de boutons-poussoirs pour une porte de secours ne soit pas légale. Des sorties de secours à action unique peuvent être exigées.
- TOUJOURS obtenir les permis et autorisations appropriés AVANT d'installer un équipement quelconque.



AVERTISSEMENT : Ce produit peut vous exposer à des substances chimiques, incluant du plomb, lesquelles sont reconnues par l'État de la Californie comme étant cancérigènes et pouvant causer des anomalies congénitales ou autres préjudices à l'appareil reproducteur. Pour plus d'information, aller à www.P65Warnings.ca.gov

HOMOLOGATION DES UNDERWRITERS LABORATORIES (UL)

Le CAP2D est conforme à la norme UL294 des unités de contrôle d'accès avec les restrictions suivantes :

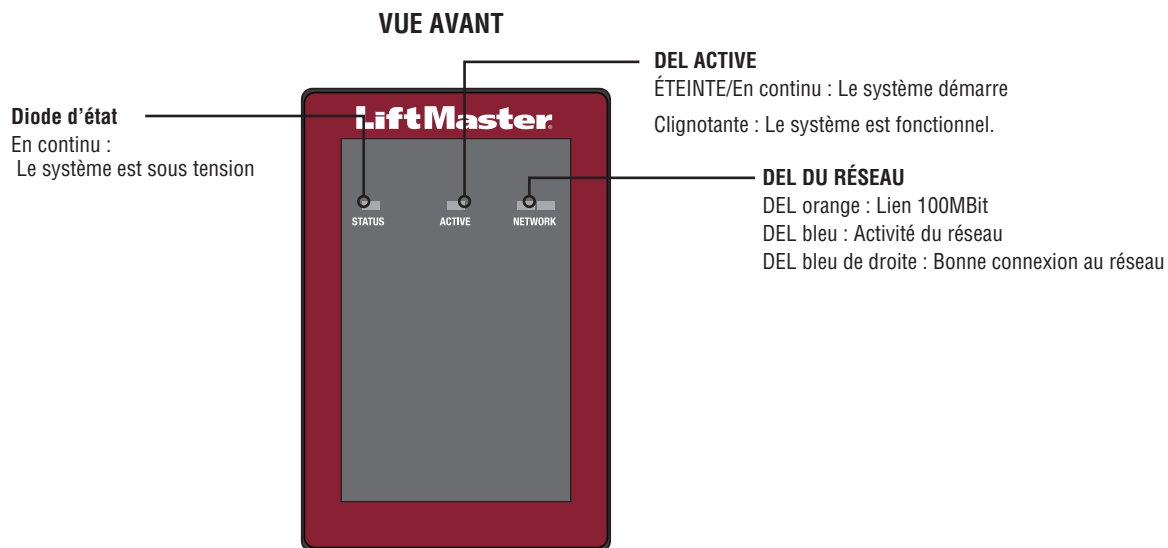
- Les contacts du système de relais ne doivent pas être configurés en mode de sécurité intégrée à moins que les autorités locales compétentes ne l'autorisent et que cela ne nuise pas au fonctionnement des barres antipanique.
- Le port Ethernet est réservé uniquement à un usage supplémentaire et l'unité continuera à fonctionner d'elle-même si la connexion au réseau est interrompue.
- Cette unité peut être alimentée par Ethernet au moyen d'un matériel compatible à PoE. Si une source d'alimentation PoE est utilisée, elle doit être homologuée UL294.
- Tous les dispositifs d'interconnexion doivent être homologués UL.



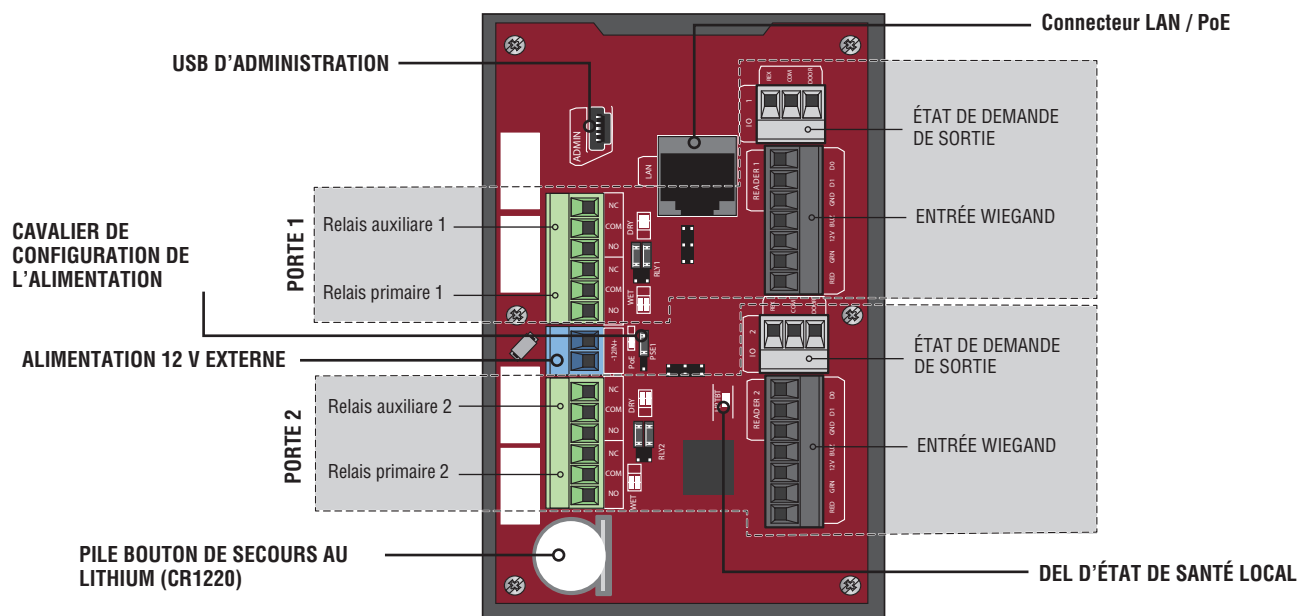
AVERTISSEMENT

NE PAS INSTALLER LE SYSTÈME EN MODE DE SÉCURITÉ INTÉGRÉE À MOINS QUE LES AUTORITÉS LOCALES COMPÉTENTES NE L'AUTORISENT. Cela pourrait causer une interférence avec le fonctionnement de la serrure coup de poing.

Présentation du contrôleur



Présentation du tableau de commande



Connexion du tableau de commande	Description
USB administratif	Connecter par mini-USB pour accéder à l'administration
LAN/PoE	Connecter au réseau. Peut aussi avoir une alimentation 802.3af/at.
Pile de secours au Lithium	La batterie préserve les données du système pendant les pannes de courant primaires.
État de santé local	La DEL indique une fonction adéquate.
Témoin de relais	La DEL s'allume quand le relais est engagé (une par relais)
Configuration de l'alimentation	Sélections de liaison entre l'alimentation par câble Ethernet et l'alimentation auxiliaire

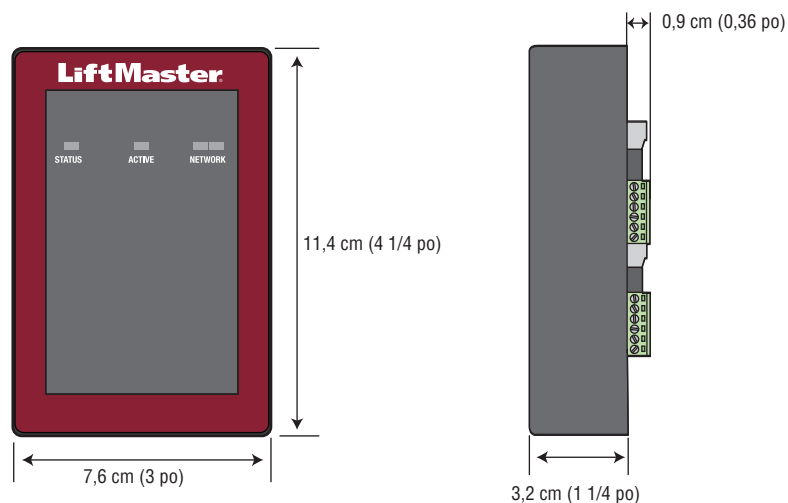
Contenu de l'emballage

- Contrôleur de porte
- Câble USB
- Diodes
- Manuel d'installation

Outils nécessaires

- Tournevis cruciforme PH2
- Tournevis à tête plate de précision 1/8 po ou cruciforme PH0
- Tournevis à douille 1/4 po
- Perceuse/tournevis électrique
- Mèche de 7/64 po
- Embouts pour marteau pour perceuse/tournevis électrique
- Pincettes à sertir RJ45
- Multimètre
- Ruban à mesurer
- Cintreuse de tuyaux rigides
- Alésoir/coupe-tuyau
- Scie à métaux
- Pointeau
- Marteau

Dimensions



Spécifications

Capacité du CAP2D	Personnes : 25 000, événements : 8 000
Plages de températures de service du CAP2D	0 °C à 49 °C (32 °F à 125 °F)
Humidité de service du CAP2D	5 % à 95 % sans condensation
Plage de températures de rangement et d'expédition	-40 °C à 65 °C (-40 °F à 149 °F)
Entrées Wiegand (2)	26 bits, 30 bits. Le CAP2D est compatible avec les dispositifs Wiegand qui transmettent jusqu'à 255 bits de données
2 sorties relais primaires et 2 auxiliaires	SPDT
Compatibilité des accessoires	Consulter la page des accessoires à cet effet.
Compatibilité du réseau	10/100/1 000 Ethernet
Caractéristiques du câblage	Éthernet câblé RJ-45

Caractéristiques électriques

ENTRÉE D'ALIMENTATION	TENSION	ALIMENTATION (MIN)
Entrée auxiliaire	12 V c. c.	13 W
Alimentation par câble Ethernet	45-57 V c. c.	13 W

SORTIE D'ALIMENTATION	TENSION	COURANT (MAX)
Relais (mouillé)	12 V c. c.	750 mA (combiné)
Lecteurs Wiegand	12 V c. c.	750 mA (combiné)
Relais (sec- inductif)	30 V c. c. (max)	2 000 mA

REMARQUE : Le contrôleur de porte doit être connecté à une alimentation à homologation UL commerciale 294 ou 603 pour une source auxiliaire, ou à homologation UL 294/294b PoE pour une source Ethernet.

Caractéristiques techniques du câblage

Utiliser ce tableau pour tirer les fils en préparation de votre installation.

DESCRIPTION DU FILAGE	SPÉCIFICATION DE CÂBLAGE	DISTANCE MAXIMALE DU FILAGE
Fil électrique, sortie c. c. secondaire	à 2 conducteurs 14 AWG à 2 conducteurs 16 AWG à 2 conducteurs 18 AWG	Jusqu'à 18,3 m (60 pi) Jusqu'à 11,3 m (37 pi) Jusqu'à 7,3 m (24 pi)
Réseau local (LAN) CAT 5/6 câble de réseau	à 8 conducteurs, à paires torsadées 24 AWG	100* m (328 pi)
Barre antipanique/actionneur de barrière LiftMaster	à 2 conducteurs, blindé 18 à 22 AWG	30,5 à 76,2 m (100 à 250 pi)
Verrouillage magnétique	à 2 conducteurs, 18 à 22 AWG	15,2 à 38,1 m (50 à 125 pi)
Fermeture à contact sec (la plupart des actionneurs)	à 2 conducteurs, blindé 18 à 22 AWG	152,4 à 762 m (500 à 2 500 pi)
Demande de sortie (REX)	à 2 conducteurs, 18 à 22 AWG	152,4 m (500 pi)
Entrée supervisée	à 2 conducteurs, 18 à 22 AWG	152,4 m (500 pi)
Lecteurs Wiegand/de proximité	à 7 conducteurs, blindé 18 à 22 AWG	152,4 m (500 pi)

REMARQUE : Les fils d'alimentation et de commande DOIVENT passer dans des conduits distincts. Les conduits doivent être homologués UL pour faibles et hautes tensions. Consulter le NEC et la norme ANSI/NFPA 70 pour les exigences de câblage supplémentaires.

REMARQUE : Placer le CAP2D à moins de 152 mètres (500 pieds) de la barre antipanique ou de la serrure coup de poing qui lui est associé. Le logiciel de surveillance n'est pas évalué par l'UL.

Fournir toujours une alimentation d'une source réservée à cet effet. Brancher le transformateur fourni dans une prise câblée à son propre disjoncteur de 10 A au minimum. Cela permet de prévenir deux problèmes :

- Un autre équipement ne pourra pas introduire dans le circuit d'alimentation du bruit, des pointes ou chutes de tension ou des surtensions qui compromettraient le système.
- Le fonctionnement du système ne sera pas touché si tout autre équipement développe un court-circuit dans la ligne électrique.

* REMARQUES CONCERNANT LE CÂBLE DE RÉSEAU CAT 5/6 :

- Pour les distances extérieures dépassant 42,7 m (140 pi), un limiteur de tension primaire conforme à la norme UL497 DOIT être installé au niveau du contrôleur.
- Des articles de quincaillerie supplémentaires peuvent être utilisés pour les distances dépassant 100 m (328 pi). Contacter le service d'assistance technique pour plus d'information. Les articles de quincaillerie supplémentaires n'ont pas été évalués en vertu de la norme UL294.

1 Service Internet

Le contrôleur DOIT être configuré à l'aide des bons paramètres de réseau pour fonctionner.

RÉSEAU

Fournisseur de service Internet : _____

Adressage IP automatique : DHCP (paramètre par défaut)

OU

Adressage IP statique : optionnel, exige une connexion à un ordinateur avec USB (**REMARQUE** : Noter les renseignements suivants pour référence ultérieure : IP, masque, passerelle, primaire, secondaire, port du serveur)

2 N° CP pour contrôleur

(Situé sur une étiquette sur le boîtier)

IPC - _ _ - _ _ _ _ _



3 Configuration d'un compte LiftMaster Cloud

REMARQUE : Si un compte MyQ® a déjà été créé, le compte LiftMaster Cloud utilisera le même mot de passe.

1. Si aucun compte LiftMaster Cloud n'a été créé, appeler l'assistance à la clientèle au 800 323.2276 pour activer un compte LiftMaster de service hébergé dans l'infonuagique.
2. Un courriel de bienvenue de LiftMaster vous sera envoyé. Accepter l'invitation par courriel et vous connecter ou vous connecter au compte.
3. Configurer l'installation et ajouter les résidents et les identifiants (consulter l'aide disponible dans LiftMaster Cloud).
4. Poursuivre avec l'installation du CAP2D avec ce manuel.



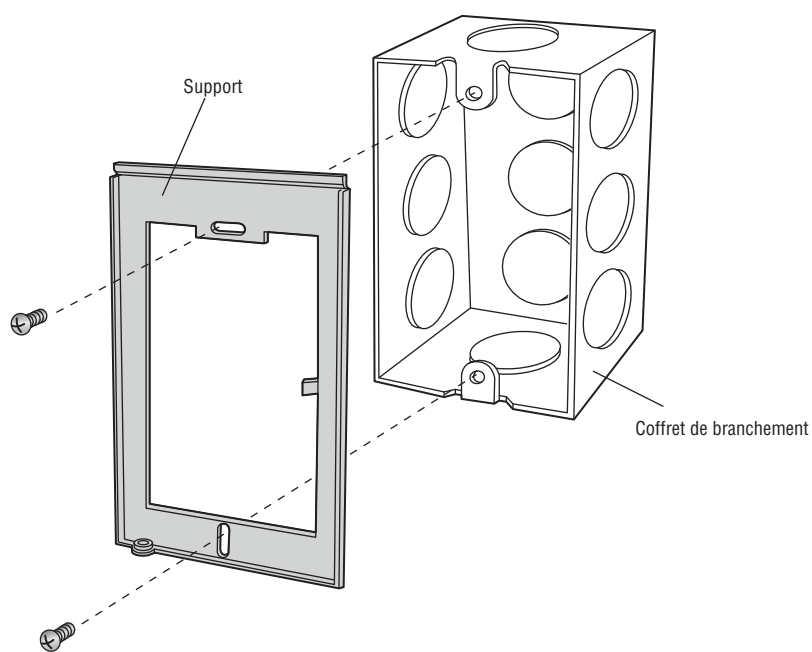
Pour la programmation LiftMaster Cloud, aller à www.LiftMasterCloud.com.

4 Montage du support

1. Installer un coffret de branchement à l'emplacement de montage désiré.

REMARQUE : Se servir d'un coffret de branchement carré de 10 cm (4 po) (d'une profondeur minimale de 3,8 cm ou 1 1/2 po) avec un anneau à plâtre simple. Utiliser Wiremold® V5744S ou BW35 pour les installations montées en surface.

2. Enlever l'agrafe à l'arrière du CAP2D.
3. Monter le support au coffret de branchement.
4. Acheminer tous les fils au coffret de branchement.
5. Lorsque tout le câblage est complété, positionner le CAP2D dans le support et le fixer au bas avec la vis fournie.



1 Connecter l'alimentation

PAR PoE (ALIMENTATION PAR CÂBLE ETHERNET) :

1. Connecter le câble Ethernet au port Ethernet sur le tableau de commande.
2. Déplacer le câble de liaison PoE au paramètre d'alimentation par câble Ethernet.

AVEC UNE SOURCE D'ALIMENTATION C. C. :

La prise du contrôleur DOIT être une prise externe réservée de 120 V c.a. située à moins de 18,3 m (60 pi) de filage du contrôleur. Cette prise doit être câblée à son propre disjoncteur de 10 A au minimum.

SPÉCIFICATION DE CÂBLAGE	DISTANCE MAXIMALE DU FILAGE
14 AWG	Jusqu'à 18,3 m (60 pi)
16 AWG	Jusqu'à 11,3 m (37 pi)
18 AWG	Jusqu'à 7,3 m (24 pi)

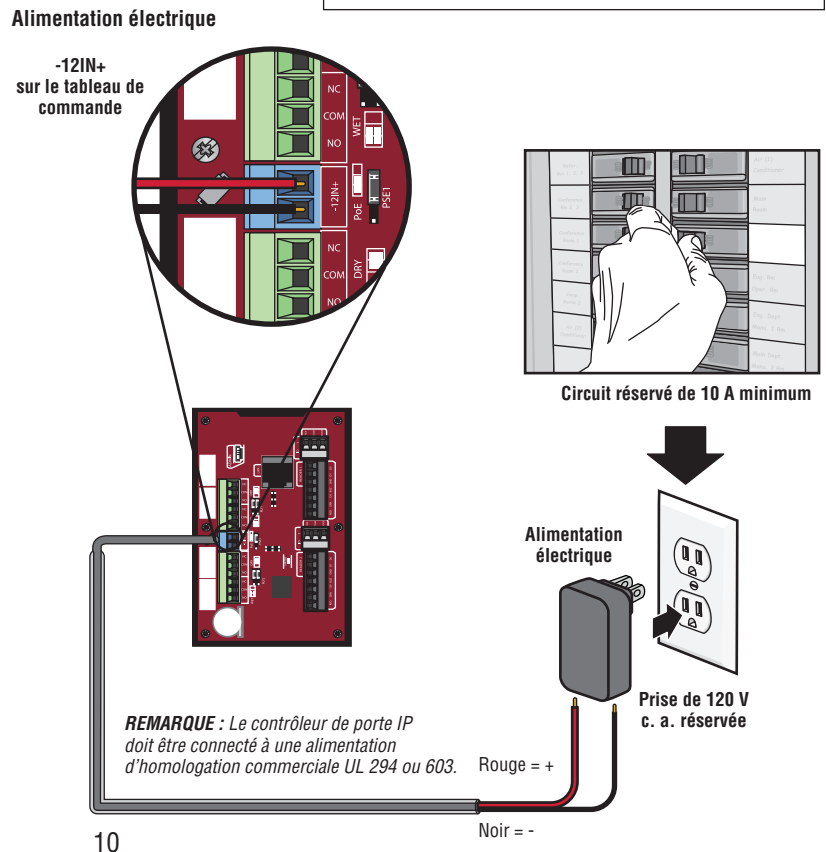
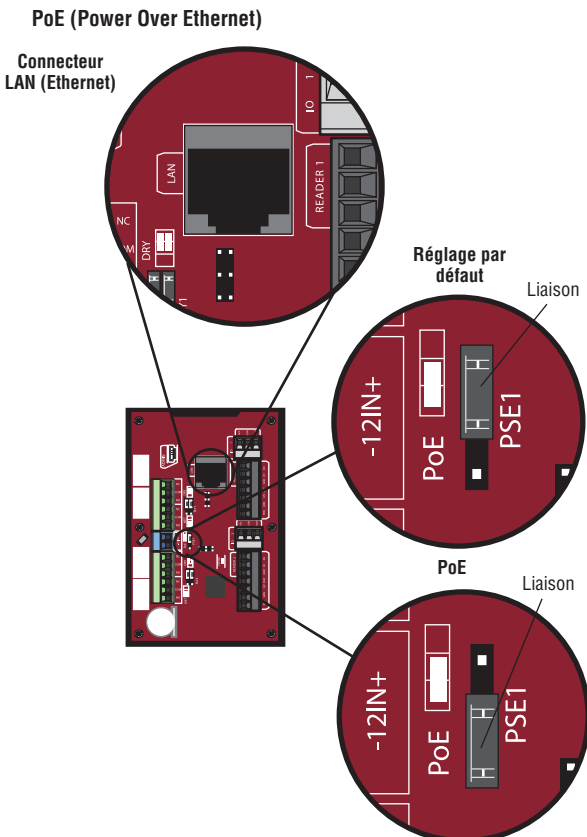
1. Connecter le fil 14-18 AWG aux fils dénudés de sortie de courant c. c. secondaire sur la source d'alimentation électrique. Le noir est négatif et le rouge est positif.
2. Connecter les fils d'alimentation électrique au bornier +12IN- (rouge à + et noir à -).
3. Brancher le transformateur dans une prise de 120 V c.a. lorsque toutes les connexions ont été effectuées.

AVERTISSEMENT

NE PAS connecter une alimentation c. c. si l'alimentation par câble Ethernet (PoE) a été sélectionnée et connectée. Le circuit risque d'être endommagé et ne sera PAS couvert par la garantie

ATTENTION

- NE PAS alimenter les barres antipanique et les loquets à l'aide de la même source d'alimentation que celle utilisée pour le panneau de contrôle d'accès; une telle façon de faire causera des DOMMAGES au contrôleur. Utiliser UNIQUEMENT une alarme anti-cambriolage ou un système de contrôle d'accès homologué UL pour alimenter les barres antipanique et les loquets électroniques.
- NE PAS raccorder l'alimentation électrique à une prise commutée ou autrement contrôlée par une prise c. a.
- NE PAS raccorder l'alimentation électrique à une prise de 120 V c. a. jusqu'à ce que TOUT le câblage ait été effectué.
- Installer le dispositif de suppression du bruit transitoire (varistance) fourni avec le contrôleur pour les dispositifs alimentés par courant alternatif et une diode pour les dispositifs alimentés par courant continu.

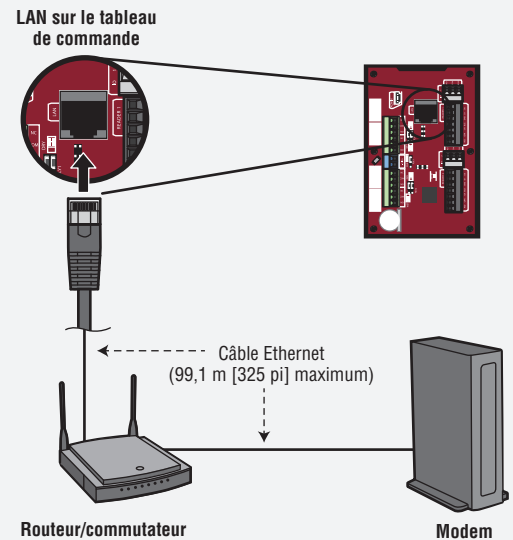


1 Connecter l'appareil à Internet

Connexion au réseau LAN

Le port du réseau local (LAN) est une interface Ethernet 10/100 dotée d'un connecteur RJ45 pour la connexion du CAP2D à un concentrateur afin d'obtenir une connectivité à Internet. Utiliser un câble direct (c.-à-d. pas de câble de relais) Cat5, Cat5e ou Cat6 pour raccorder ce port à un concentrateur local, un commutateur ou un routeur. On fait référence à ce type de câble comme étant un câble Ethernet dans ce manuel.

1. Connecter un câble Ethernet à partir du concentrateur, du commutateur ou du routeur au port LAN sur le tableau de commande. Lorsque la connexion a bien été établie, la DEL verte et la DEL ambre sur le port Ethernet s'allumeront/ clignoteront brièvement. Si la DEL verte ne s'allume pas, vérifier les connexions sur le contrôleur et le concentrateur Ethernet.
2. La connexion par défaut est DHCP, aucune autre configuration n'est nécessaire. Si une adresse IP fixe est nécessaire pour votre configuration, utiliser le câble USB fourni pour connecter le contrôleur à un ordinateur.



IP statique (en option)

LiftMaster recommande que le CAP2D soit utilisé en mode d'IP dynamique (DHCP), mais il peut être réglé à une IP statique au besoin.

1. Connecter le CAP2D à un ordinateur avec le connecteur USB fourni. Connecter l'alimentation au CAP2D avec un routeur/commutateur capable de fournir une alimentation par câble Ethernet (PoE) ou avec la source d'alimentation fournie. Si la source d'alimentation fournie est utilisée, déplacer le cavalier PoE.
2. Installation des pilotes USB
 - a. Si Windows Vista/7/10 est utilisé
 - b. Naviguer jusqu'à « Computer » (Ordinateur)
 - c. Cliquer à droite sur « LiftMaster CAP2D Resources » (Ressources CAP2D LiftMaster)
 - d. Cliquer sur le dossier « Driver » (Pilote)
 - e. Cliquer sur « LiftMasterCAP2DDriverSupport »
 - f. Permettre au programme de configuration d'utiliser les privilèges administrateurs.
 - g. Cliquer sur « Next » (Suivant)
 - h. Accepter tout dialogue d'avertissement
 - i. Cliquez sur « Finish » (Terminé)
 - j. Après l'installation, un message s'affichera demandant de redémarrer l'ordinateur. Il est possible de sélectionner « Reboot Later » (Redémarrer plus tard)
 - k. Enlever le câble USB de l'ordinateur et attendre que l'ordinateur reconnaisse le retrait.
3. Établir l'adresse IP statique :
 - a. Réinsérer ensuite le câble USB dans l'ordinateur et attendre que ce dernier reconnaisse le dispositif.
 - b. Ouvrir le navigateur et saisir l'adresse <http://192.168.207.1> pour accéder à l'interface administrateur.
 - c. La page d'accueil s'affiche :
 - d. L'identifiant est « cli ».
 - e. Le mot de passe est « new5cli ».
 - f. Cliquer sur l'onglet « Networking » (Mise en réseau).
 - g. Cliquer sur IP « Configuration » (Configuration IP).
 - h. Cliquer sur le bouton « Deactivate DHCP » (Désactiver DHCP).
 - i. Renseigner les champs selon les instructions du personnel des TI.
 - j. Cliquer sur « Set Static Parameters » (Régler les paramètres statiques). Les changements ont été enregistrés.
4. Comment retourner à la configuration DHCP
 - a. Ouvrir le navigateur et saisir l'adresse <http://192.168.207.1>
 - b. La page d'accueil s'affiche :
 - c. L'identifiant est « cli ».
 - d. Le mot de passe est « new5cli ».
 - e. Cliquer sur l'onglet « Networking » (Mise en réseau).
 - f. Cliquer sur IP « Address Configuration » (Configuration d'adresse IP). Cliquer sur le bouton « Activate DHCP » (Activer DHCP).
5. Pour vérifier la connectivité :
 - a. Ouvrir LiftMaster Cloud
 - b. Ajouter le CAP2D à une installation et confirmer que l'état est « Online » (en ligne).

Mode Admin

1. Connecter un ordinateur portable au port USB ADMIN du CAP2D à l'aide d'un câble USB Mini-B standard.
 - a. Le port USB ADMIN du CAP2D est une interface USB permettant de relier le CAP2D à un ordinateur portable ou à un PC pour accéder à l'interface administrative locale et profiter des utilitaires de débogage et de configuration manuelle.
 - b. Le port nécessite un câble USB Mini-B pour fournir un accès entre l'ordinateur portable et le CAP2D.

Câblage de demande de sortie (REX) et des portes/actionneurs de barrière LiftMaster

1. Brancher le bornier des dispositifs REX et des PORTES.
 - a. Connecter les contacts normalement ouverts (NO) du dispositif REX aux bornes REX et COM.
 - Lorsque le commutateur se ferme, il lance une séquence programmée de demande de sortie (REX), incluant l'option d'activer le relais de la porte ou d'autres relais, d'actionner le pêne et supprimer tout message de « Porte forcée ».
 - b. Connecter les contacts normalement fermés (NC) du capteur de porte aux bornes COM et CONTACT.
 - Dans ce contexte, un commutateur normalement fermé est considéré fermé lorsque la porte est fermée (l'aimant est présent), et est considéré ouvert lorsque la porte est ouverte (absence d'aimant).
 - Lorsque le commutateur est ouvert, le tableau de commande interprète cette entrée comme une situation de « Porte ouverte ». Lorsque le commutateur est fermé, le tableau de commande interprète cette entrée comme une situation de « Porte fermée ».
 - Ce circuit indique l'état de la porte (ouverte/fermée) au tableau de commande afin que LiftMaster Cloud prenne la mesure appropriée localement ou envoie des avis par courriel s'il y a lieu.
2. Brancher le bornier du RELAIS DE SERRURE DE PORTE.
 - a. Connecter la serrure de la porte à la borne COM et à la borne NO ou NC.
 - b. Le RELAIS DE SERRURE DE PORTE offre à la fois des contacts NO (normalement ouverts) et NC (normalement fermés) et est actionné en réponse à la présentation d'un identifiant valide ou d'une entrée REX programmable.
 - c. Le moment de l'activation et d'autres aspects du relais sont programmés au moyen de LiftMaster Cloud.
3. S'il est utilisé pour une dérivation d'alarme, brancher le bloc de bornes RELAIS 1 AUX. S'il n'est pas utilisé pour une dérivation d'alarme, le bloc de bornes RELAIS 1 AUX peut servir à une variété d'utilisations.
4. Brancher le RELAIS 2 AUX. Tout comme le RELAIS AUX 1, ce bornier peut servir à une variété d'utilisations.

REMARQUE : Les *RELAIS AUX* sont entièrement programmables et offrent à la fois des contacts *NO* (normalement ouverts) et *NC* (normalement fermés).

AVERTISSEMENT

Il existe une limite de 3 A, 24 V c. c. du courant de transit pour TOUS les relais.

Câblage du dispositif REX et des portes/actionneurs de barrière LiftMaster (suite)

5. Brancher le commutateur du LECTEUR à l'entrée Wiegand des bornes dans ce nœud de la porte.

Au moment de la rédaction de ce manuel, les lecteurs suivants ont été testés par Underwriters Laboratories comme convenant à cet équipement :

- HID ProxPoint Plus
- HID Thinline II
- HID iClass RPK40CKNN
- HID iClass R10CKNN
- XCEEDID X1050B-B READER
- LiftMaster KPR2000

REMARQUE : Consulter le guide de câblage fourni avec le lecteur/clavier pour les schémas de raccordement.

- a. Utiliser le fil recommandé par le fabricant du lecteur ou du clavier. Si aucun fil n'est recommandé, utiliser un fil de calibre 22 AWG au minimum avec suffisamment de conducteurs blindés (de drainage).
 - b. L'interface du lecteur utilise les conventions de branchement standard Wiegand. Connecter correctement les fils au bornier du circuit de nœud approprié. Voici un guide de câblage type, mais non universel. Consulter le guide de câblage fourni avec le lecteur/clavier pour des consignes relatives à votre lecteur ou clavier particulier.
 - Connecter le fil vert du lecteur à la borne DATA0. Il s'agit du circuit Data 0 standard des lecteurs Wiegand.
 - Connecter le fil blanc du lecteur à la borne DATA1. Il s'agit du circuit Data 1 standard des lecteurs Wiegand.
 - Connecter le fil noir du lecteur à la borne GND (terre ou masse). Il s'agit du circuit de mise à la terre standard du lecteur.
 - Connecter le fil bleu du lecteur à la borne BUZZ. Il s'agit du circuit d'avertisseur (Buzzer) standard du lecteur.
 - Connecter le fil rouge du lecteur à la borne 12 V c. c. Ce fil fournit +12 V c. c au lecteur.
 - Connecter le fil orange du lecteur à la borne GRN LED. Il s'agit du circuit de la DEL verte.
 - Connecter le fil brun du lecteur à la borne RED LED. Il s'agit du circuit de la DEL rouge.
6. Installer les varistances (MOV).
- a. Pour les actionneurs de barrière LiftMaster, installer les varistances aux bornes NC et communes, aussi près que possible de la barre antipanique ou de la serrure coup de poing. Elles s'installent normalement sur la connexion venant du câblage du site sur les bornes vissées ou en tire-bouchon du pêne ou de la serrure électrique.
 - b. Utiliser le fil recommandé par le fabricant du pêne ou de la serrure électrique. Si aucun fil n'est recommandé, utiliser un fil de calibre 18 AWG au minimum avec suffisamment de conducteurs pour brancher le pêne ou la serrure électronique.



AVERTISSEMENT

Installer le supprimeur de bruits (varistance à oxyde métallique - MOV) fourni avec le tableau de commande.

Opération

Fonctionnement de veille normal : Le CAP2D est toujours prêt à l'emploi et surveille ses entrées pour détecter tout changement. Si une entrée quelconque change d'état, le CAP2D réagit localement et communique le changement à LiftMaster Cloud.

Fonctionnement du lecteur/clavier : Le CAP2D a été conçu pour fonctionner avec un lecteur et un clavier utilisant le format Wiegand standard de 26 bits. Certains claviers peuvent utiliser le format ASCII pour les codes d'entrée.

Consulter le schéma de câblage pour la connexion physique au CAP2D. Consulter le manuel du lecteur et du clavier pour le mode d'emploi complet.

Accès accordé/refusé : Lorsqu'un identifiant valide est présenté, l'accès est accordé sans rétroaction audio ou visuelle du CAP2D. Certains dispositifs accessoires peuvent fournir une rétroaction. Par exemple, un lecteur de carte ou un récepteur peut émettre un bip ou une DEL peut changer de couleur pour communiquer l'état du dispositif.

Entretien et mise à l'essai : Aucun entretien ou aucune mise à l'essai n'est nécessaire pour que le produit maintienne un fonctionnement sécuritaire normal.

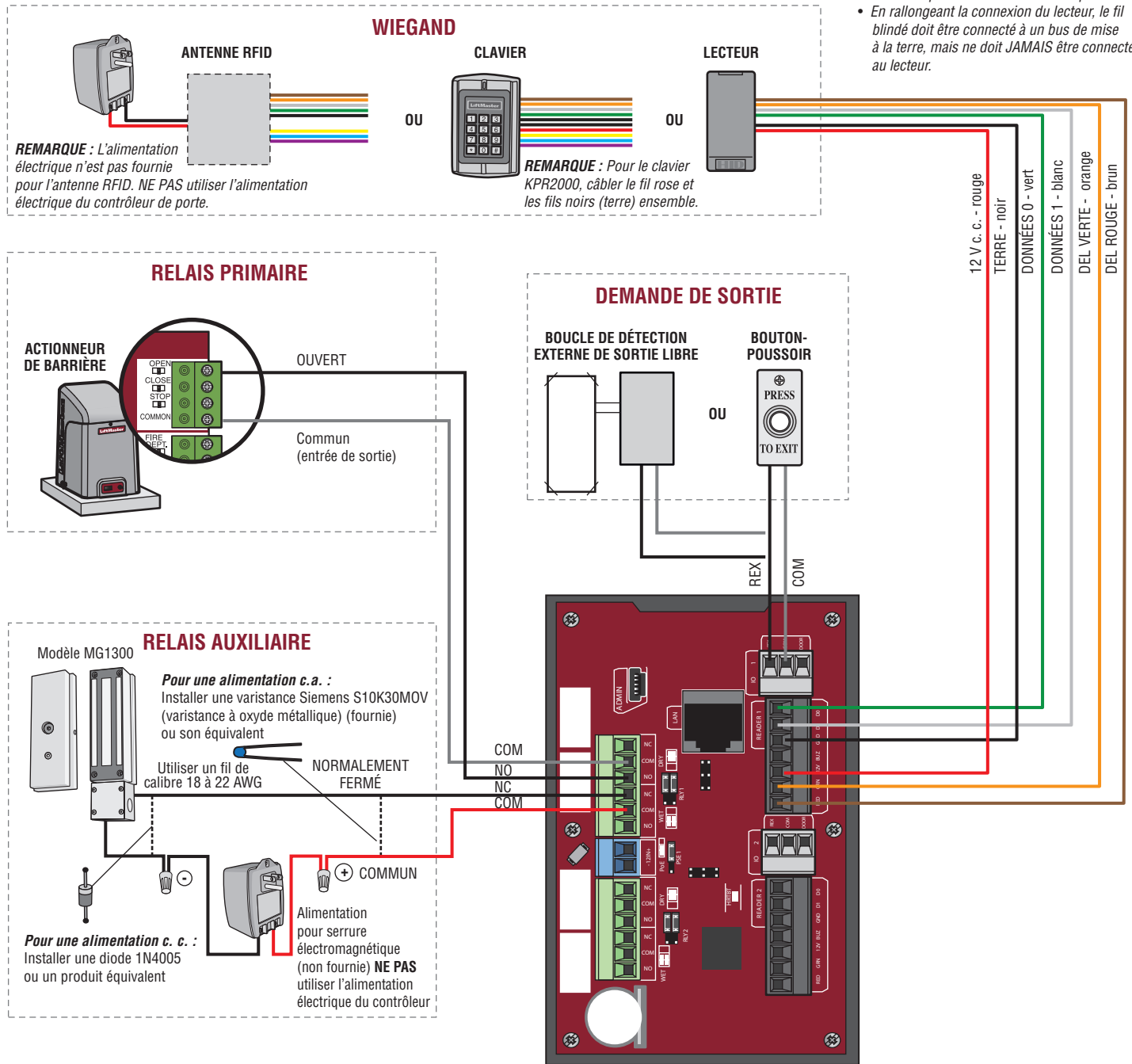
Accès à la barrière

Déconnecter l'alimentation AVANT d'effectuer des connexions électriques. Un exemple de configuration de câblage pour accès à la barrière est présenté ci-dessous. L'accès à la barrière peut être câblé à la porte 1 ou 2.

REMARQUE : Les sources d'alimentation doivent être des sources commerciales homologuées UL 294 ou 603 à sortie de puissance limitée.

REMARQUES :

- La longueur des fils non blindés doit être minimale pour éviter le bruit électrique.
- En rallongeant la connexion du lecteur, le fil blindé doit être connecté à un bus de mise à la terre, mais ne doit JAMAIS être connecté au lecteur.



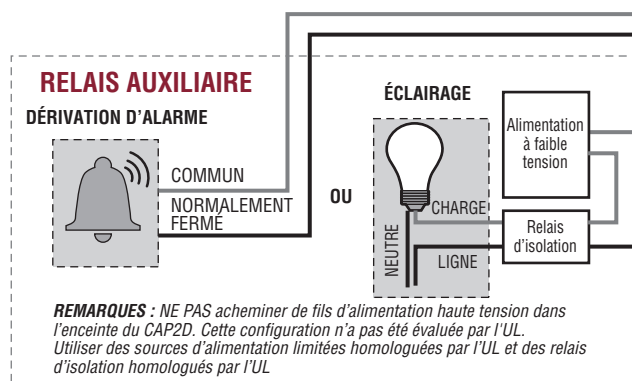
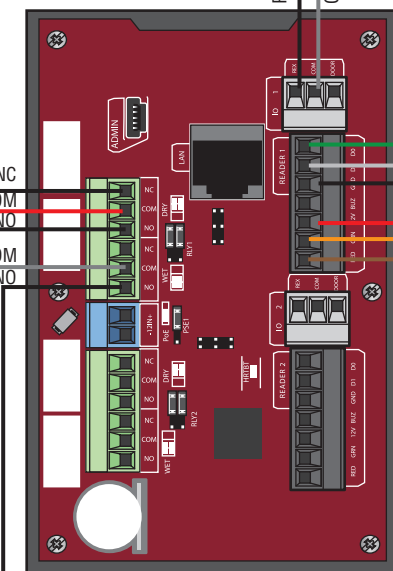
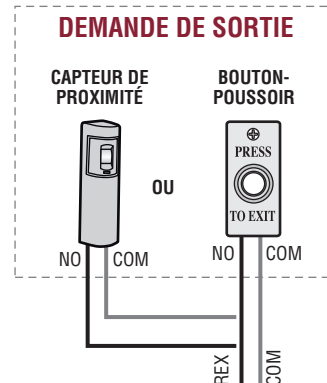
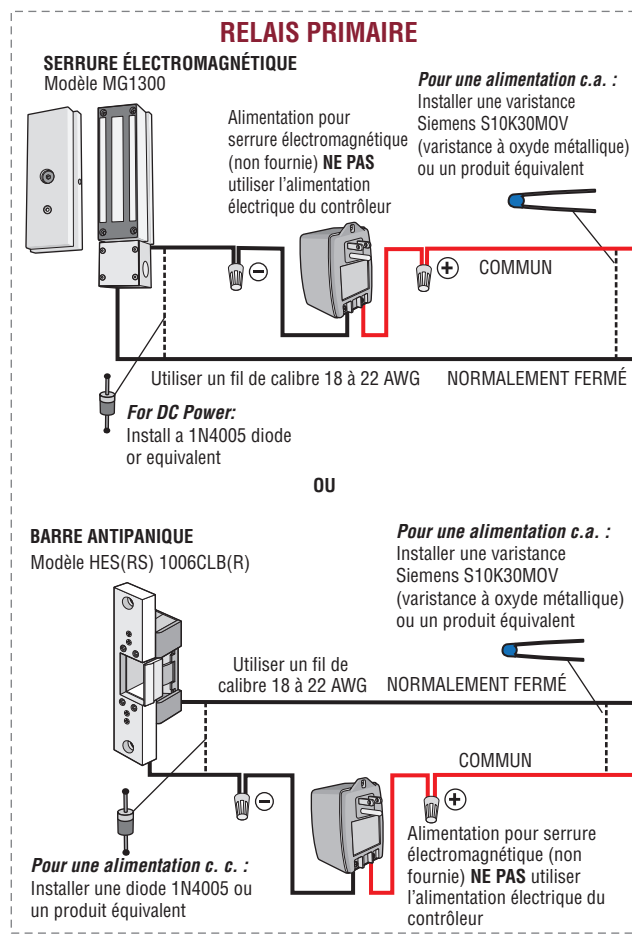
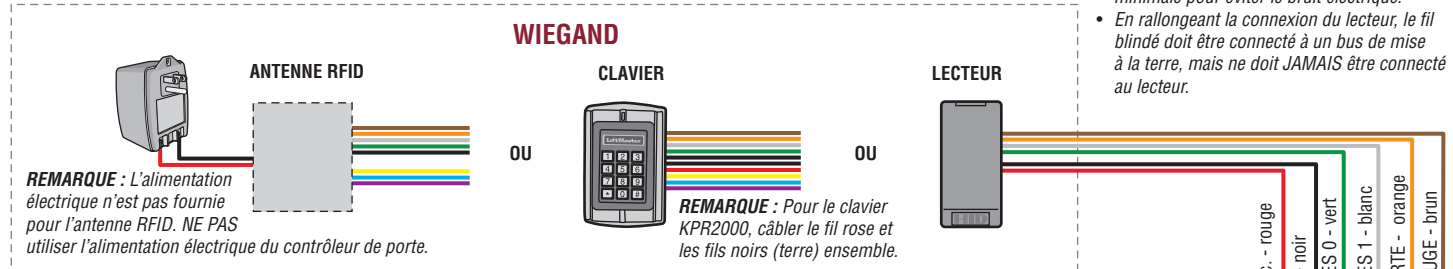
Accès à la porte

Déconnecter l'alimentation AVANT d'effectuer des connexions électriques. Un exemple de configuration de câblage pour accès à la porte est présenté ci-dessous. L'accès à la porte peut être câblé à la porte 1 ou 2.

REMARQUE : Les sources d'alimentation doivent être des sources commerciales homologuées UL 294 ou 603 à sortie de puissance limitée.

REMARQUES :

- La longueur des fils non blindés doit être minimale pour éviter le bruit électrique.
- En rallongeant la connexion du lecteur, le fil blindé doit être connecté à un bus de mise à la terre, mais ne doit JAMAIS être connecté au lecteur.

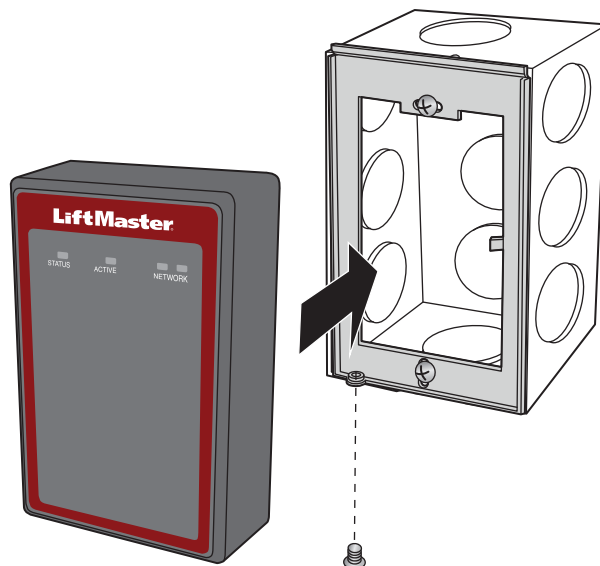


REMARQUES : NE PAS acheminer de fils d'alimentation haute tension dans l'enceinte du CAP2D. Cette configuration n'a pas été évaluée par l'UL. Utiliser des sources d'alimentation limitées homologuées par l'UL et des relais d'isolation homologués par l'UL.

1 Installation du CAP2D

1. S'assurer que tout le câblage est bien inséré dans le coffret de branchement.
2. Glisser le CAP2D sur le support et le fixer avec la vis.

REMARQUE : L'unité de commande doit être montée dans une zone protégée. Le dispositif de demande de sortie (REX) et le câblage doivent être contenus dans la zone protégée.



Validation du bon fonctionnement : Tester chaque type d'identifiant et vérifier le bon comportement de chaque barrière/porte connectée au CAP2D. Des identifiants valides et les entrées de demande de sortie devraient déclencher le relais. Aller à LiftMasterCloud.com pour la programmation et la vérification de l'activité et de l'état du CAP2D.

Dépannage

Le CAP2D ne se met pas sous tension après avoir connecté un transformateur de 12 V c. c.

Vérifier la position du cavalier PoE. Déplacer le cavalier à la position supérieure.

Le relais ne se déclenche pas lorsqu'un identifiant est présenté.

Vérifier l'alimentation, les DEL sont-elles allumées? Vérifier le bon fonctionnement des dispositifs et connexions d'entrée. Vérifier le journal d'activité LiftMaster Cloud pour aider à établir le diagnostic.

J'ai reçu un courriel m'informant que le CAP2D n'était pas en ligne.

Vérifier LiftMaster Cloud pour prendre connaissance de l'état en ligne/hors ligne du dispositif le plus récemment enregistré. Si le dispositif est hors ligne, vérifier la connexion locale à Internet et l'alimentation électrique au CAP2D. Il arrive parfois que la maintenance régulière des serveurs LiftMaster Cloud ait pour effet de déclencher ce message. Le CAP2D stocke la base de données localement et continue de fournir un contrôle de l'accès sans connexion à Internet. Les changements d'activité et de la base de données ne sont échangés avec LiftMaster Cloud que lorsque le CAP2D est en ligne.



Pour la programmation LiftMaster Cloud, aller à www.LiftMasterCloud.com.

Fiche de configuration

Noter l'information sur l'appareil et les paramètres de configuration ci-dessous.

Nom du contrôleur :

REMARQUE : *Tout utilisateur de ce système est soumis aux conditions décrites dans l'accord d'utilisation du produit.*

Remarques :

CONFIGURATION DU DISPOSITIF :

PORTE 1	NOM DE LA PORTE/BARRIÈRE :		
ENTRÉES	WIEGAND	Demande de sortie (REX)	ÉTAT
			EOL (O / N)
SORTIES	RELAIS PRIMAIRE		RELAIS AUXILIAIRE
	N.O.	N.C.	N.O. N.C.
Remarques :			

PORTE 2	NOM DE LA PORTE/BARRIÈRE :		
ENTRÉES	WIEGAND	Demande de sortie (REX)	ÉTAT
			EOL (O / N)
SORTIES	RELAIS PRIMAIRE		RELAIS AUXILIAIRE
	N.O.	N.C.	N.O. N.C.
Remarques :			

AVIS LÉGAUX

Conformité à la Federal Communications Commission (FCC)

Cet équipement a été testé et déclaré conforme aux limites d'un appareil numérique de classe B, en vertu de la partie 15 du règlement de la FCC. Ces limites sont prévues pour fournir une protection raisonnable contre les interférences nuisibles avec une installation résidentielle ou lorsque l'équipement est utilisé dans un environnement commercial. Cet équipement génère, utilise et peut émettre des fréquences radio et, s'il n'est pas installé et utilisé conformément aux instructions, causer des interférences nuisibles aux communications radio. Cependant, il n'existe aucune garantie que des interférences ne se produiront pas dans une installation particulière. Si cet équipement provoque des interférences nuisibles à la réception d'une diffusion sonore ou visuelle, ce qui peut être déterminé en l'allumant et en l'éteignant, l'utilisateur est invité à essayer de résoudre ce problème en prenant une ou plusieurs des mesures suivantes :

- Augmenter la distance entre l'équipement et le récepteur.
- Connecter l'équipement à un circuit autre que celui auquel le récepteur est connecté.
- Consulter le concessionnaire pour obtenir de l'aide.

Canada - Conformité à Underwriters Laboratories (C-UL)

Pour les applications homologuées C-UL, l'unité doit être installée conformément à la partie 1 du Code canadien de l'électricité.

Déni de responsabilité et restrictions concernant la documentation

L'information contenue dans ce document peut être modifiée sans préavis et ne constitue pas un engagement de la part de LiftMaster. Pour obtenir l'information la plus à jour, visiter www.LiftMaster.com.

Ce document et les données fournies aux présentes ne doivent pas être copiés, utilisés ou divulgués à d'autres personnes à des fins d'approvisionnement ou de fabrication, sauf en cas de permission écrite de la part de LiftMaster. L'information contenue dans ce document ou au sein du produit lui-même est considérée comme la propriété exclusive de LiftMaster. Toute information dans ce document ou au sein du matériel et des produits logiciels eux-mêmes est protégée par droit d'auteur et/ou d'autres lois des États-Unis sur la propriété intellectuelle.

Unité de contrôle d'accès UL 294 de niveau 1 (Attaque, Endurance, Sécurité de ligne, Veille)

AVIS : Les règles de la FCC et/ou d'Industrie Canada (IC) interdisent tout ajustement ou toute modification de ce récepteur. IL N'EXISTE AUCUNE AUTRE PIÈCE SUSCEPTIBLE D'ÊTRE ENTRETENUE PAR L'UTILISATEUR. Tout changement ou modification non expressément approuvé par la partie responsable de la conformité pourrait annuler l'autorité de l'utilisateur d'utiliser l'équipement.

Ce dispositif est conforme à la partie 15 des règles de la FCC et des normes RSS exemptées de licence d'Industrie Canada (IC). L'utilisation est sujette aux deux conditions ci-après : (1) ce dispositif ne peut causer des interférences nuisibles, et (2) ce dispositif doit accepter toute interférence reçue, y compris une interférence pouvant causer un fonctionnement non désiré.

Cet appareil numérique de classe B est conforme à la norme ICES-003 du Canada.

Ce dispositif a été mis à l'essai et déclaré conforme aux limites établies pour les dispositifs numériques de classe B, conformément à l'article 15 des règles de la FCC. Cette conformité a pour but de fournir une protection raisonnable contre les interférences nuisibles dans une installation résidentielle. Cet équipement génère, utilise et peut émettre des fréquences radio et, s'il n'est pas installé et utilisé conformément aux instructions, peut causer des interférences nuisibles aux communications radio. Cependant, il n'existe aucune garantie que des interférences ne se produiront pas dans une installation particulière. Si cet équipement provoque des interférences nuisibles à la réception d'une diffusion sonore ou visuelle, ce qui peut être déterminé en l'allumant et en l'éteignant, l'utilisateur est invité à essayer de résoudre ce problème en prenant une ou plusieurs des mesures suivantes :

- Réorienter ou déplacer l'antenne de réception.
- Augmenter la distance entre l'équipement et le récepteur.
- Brancher l'appareil à une prise sur un circuit différent de celui du récepteur.
- Pour obtenir de l'aide, consulter le détaillant ou un radiotechnicien chevronné.
- Cet appareil doit être installé de manière à laisser une distance d'au moins 20 cm (8 po) entre celui-ci et l'utilisateur ou toute personne.

Garantie

LiftMaster (le « vendeur ») garantit à l'acheteur initial de ce produit pour la structure dans laquelle ce produit est originalement installé que le produit est exempt de tout défaut matériel ou de fabrication pour une période de deux (2) ans à compter de la date d'achat.

Pour que ce produit fonctionne correctement, il faut se conformer aux instructions relatives à l'installation, au fonctionnement, à l'entretien et à la mise à l'essai. Tout défaut de se conformer strictement à ces instructions annulera la présente garantie limitée dans son intégralité.

Si, au cours de la période de garantie limitée, ce produit semble présenter un défaut couvert par la présente garantie limitée, appeler au 1 800 528-2806, avant de démonter le produit. Envoyer ensuite le produit, en port payé et assuré, à notre centre de service pour que la réparation soit couverte par la garantie. Les produits retournés au vendeur pour une réparation couverte par la garantie, qui après réception par le vendeur seront confirmés comme étant défectueux et couverts par la présente garantie limitée, seront remplacés (à la discrétion du vendeur) sans frais et retournés port payé. Les pièces défectueuses seront réparées ou remplacées par des pièces neuves ou remises à neuf en usine, à la seule discrétion du vendeur.

LA PRÉSENTE GARANTIE LIMITÉE REMPLACE TOUTE AUTRE GARANTIE, EXPRESSE OU IMPLICITE, NOTAMMENT TOUTE GARANTIE IMPLICITE DE QUALITÉ MARCHANDE OU D'ADAPTATION À UN BUT PARTICULIER, OU AUTRE, ET TOUTE AUTRE OBLIGATION OU RESPONSABILITÉ DE LA PART DU VENDEUR. LA PRÉSENTE GARANTIE LIMITÉE NE COUVRE PAS LES DOMMAGES QUI NE SONT PAS DUS À UN DÉFAUT, CEUX CAUSÉS PAR UNE MAUVAISE INSTALLATION, UNE UTILISATION OU UN ENTRETIEN INADÉQUAT (INCLUANT, NOTAMMENT, LES AVARIES DUES À UN MAUVAIS TRAITEMENT, UN USAGE NON APPROPRIÉ, L'ABSENCE D'ENTRETIEN RAISONNABLE ET NÉCESSAIRE, DES RÉPARATIONS NON AUTORISÉES OU TOUTE MODIFICATION À CE PRODUIT), LES FRAIS DE MAIN-D'ŒUVRE POUR LA RÉINSTALLATION D'UNE UNITÉ RÉPARÉE OU REMPLACÉE, OU LE REMPLACEMENT DES BATTERIES.

LE VENDEUR NE SERA EN AUCUN CAS TENU RESPONSABLE DES DOMMAGES-INTÉRÊTS PARTICULIERS OU INDIRECTS RÉSULTANT DE L'UTILISATION OU DE L'INAPTITUDE À UTILISER CE PRODUIT CORRECTEMENT. EN AUCUN CAS, LA RESPONSABILITÉ DU VENDEUR POUR BRIS DE GARANTIE, RUPTURE DE CONTRAT, NÉGLIGENCE OU RESPONSABILITÉ STRICTE N'EXCÉDERA LE COÛT DU PRODUIT COUVERT AUX PRÉSENTES. NUL N'EST AUTORISÉ À ASSUMER POUR NOUS D'AUTRES RESPONSABILITÉS RELATIVEMENT À LA VENTE DE CE PRODUIT.

Certains États ou provinces n'acceptant pas l'exclusion ou les restrictions relatives aux dommages-intérêts particuliers ou indirects, les restrictions ou exclusions figurant dans la présente garantie pourraient ne pas s'appliquer à vous. La présente garantie limitée confère certains droits légaux particuliers à l'acheteur et il se peut qu'il ait d'autres droits qui varient d'une province ou d'un État à l'autre.

Toutes les marques de commerce, marques de service et noms de produit ou de service sont des marques de commerce ou des marques déposées appartenant à leurs titulaires respectifs.

© 2017 LiftMaster
Tous droits réservés.

Controlador de 2 puertas del Portal de acceso
conectado LiftMaster Cloud™

MANUAL DE INSTALACIÓN

Modelo CAP2D



LiftMaster®

INTRODUCCIÓN

i

Seguridad 3
 Descripción general del controlador 4
 Descripción general de la tarjeta de control 4
 Inventario de la caja 5
 Herramientas necesarias 5
 Dimensiones 5
 Especificaciones 6
 Clasificación eléctrica 6
 Especificaciones del cable 7

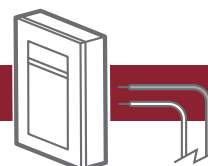
1 PREINSTALACIÓN



Servicio de Internet 8
 # de panel de control para el controlador 8
 Configurar una Cuenta Cloud de LiftMaster 8
 Montaje de la ménsula 9

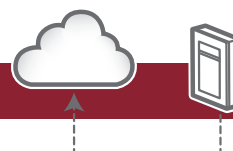
2 CABLEADO

Conectar la alimentación 10



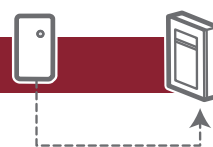
3 RED

Conectar a Internet 11



4 CONTROL DE ACCESO

Modo Administrador 12
 Cableado de REX y puertas 12
 Operación 14
 Acceso de portón 15
 Acceso de puerta 16



5 INSTALACIÓN

Instalación del CAP2D 17
 Resolución de problemas 17
Hoja de configuración 18
Exención de responsabilidad 19
Garantía 19



Para la programación de LiftMaster Cloud visite www.LiftMasterCloud.com.

Seguridad

Revisión de los símbolos y términos de seguridad.

Estas advertencias y símbolos de seguridad que aparecen a lo largo de este manual le alertarán de la existencia de riesgo de una lesión seria o de muerte si no se siguen las instrucciones correspondientes. El peligro puede ser eléctrico (electrocución) o mecánico. Lea atentamente las advertencias.

Cuando vea esta palabra clave en las páginas siguientes, se le alertará sobre la posibilidad de que la propiedad o el producto sufran daños si no se siguen las precauciones correspondientes. Léalas detenidamente.

ADVERTENCIA

MECÁNICA

ADVERTENCIA

ELECTRICIDAD

PRECAUCIÓN


ADVERTENCIA

Para reducir el riesgo de LESIONES GRAVES o la MUERTE:

- Desconecte la electricidad en la caja de fusibles ANTES de continuar.
- Para EVITAR daños en las tuberías de gas, electricidad u otras tuberías de servicios públicos subterráneas, comuníquese con una empresa dedicada a la localización de servicios subterráneos ANTES de iniciar la excavación.
- Todas las conexiones eléctricas DEBEN ser hechas por una persona calificada.
- TODO el cableado de alimentación y de control se DEBE instalar en conductos separados.

Para proteger contra incendios y electrocución:

- Desconecte la alimentación ANTES de instalar o realizar el mantenimiento del controlador.
- NUNCA conecte un teclado, lector o cerrojo a las puertas sin consultar antes el código de incendios que se aplica.
- Primero DEBE consultar a las autoridades locales de incendios y obtener su aprobación ANTES de instalar cerrojos o dispositivos en CUALQUIER puerta que pueda ser una salida de incendios.
- Es posible que el uso de botones de salida no sea legal. Tal vez sea necesario instalar salidas de acción única.
- SIEMPRE debe obtener los permisos y aprobaciones adecuados por escrito ANTES de instalar el equipo.

 **ADVERTENCIA:** Este producto puede exponerlo a sustancias químicas, incluido el plomo, que a consideración del Estado de California causan cáncer, defectos congénitos u otros daños reproductivos. Para obtener más información, *visite* www.P65Warnings.ca.gov

CONFORMIDAD CON LAS NORMAS DE UNDERWRITERS LABORATORIES (UL)

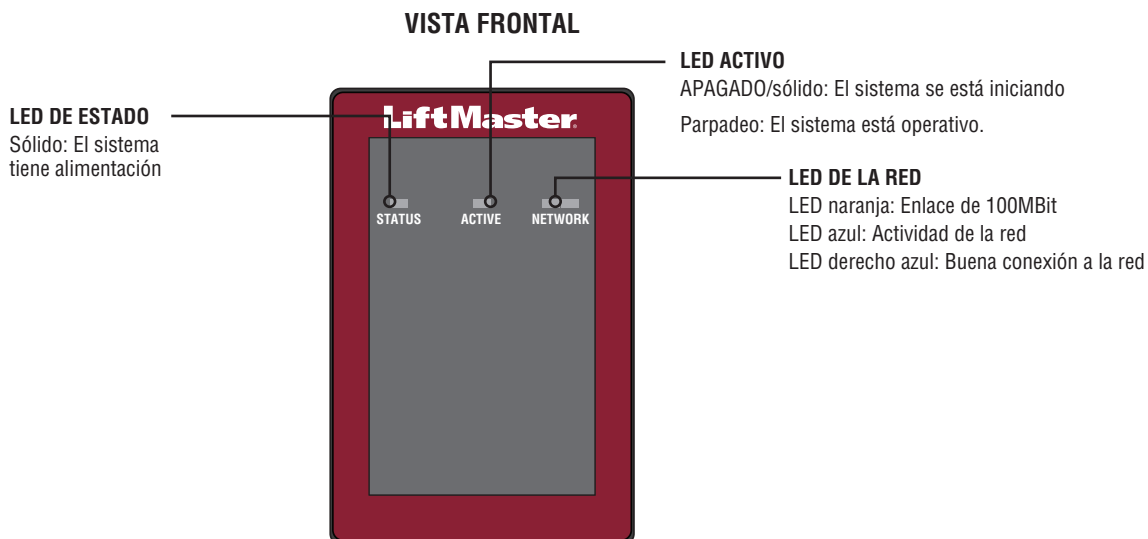
El CAP2D cumple el Estándar UL294 para las unidades de control de acceso con las siguientes restricciones:

- Los contactos del relé del sistema no se deben configurar en el modo a prueba de fallos a menos que la autoridad local que tenga jurisdicción lo permita y no interfiera con el funcionamiento de la barra antipánico.
- El puerto Ethernet es para uso complementario únicamente, la unidad seguirá operando de manera autónoma si la conexión a la red se interrumpe.
- Esta unidad puede recibir alimentación mediante un hardware con alimentación a través de Ethernet. Si se usa una fuente de alimentación PoE, esta deberá cumplir el estándar UL294.
- Todos los dispositivos de interconexión deben tener certificación UL.

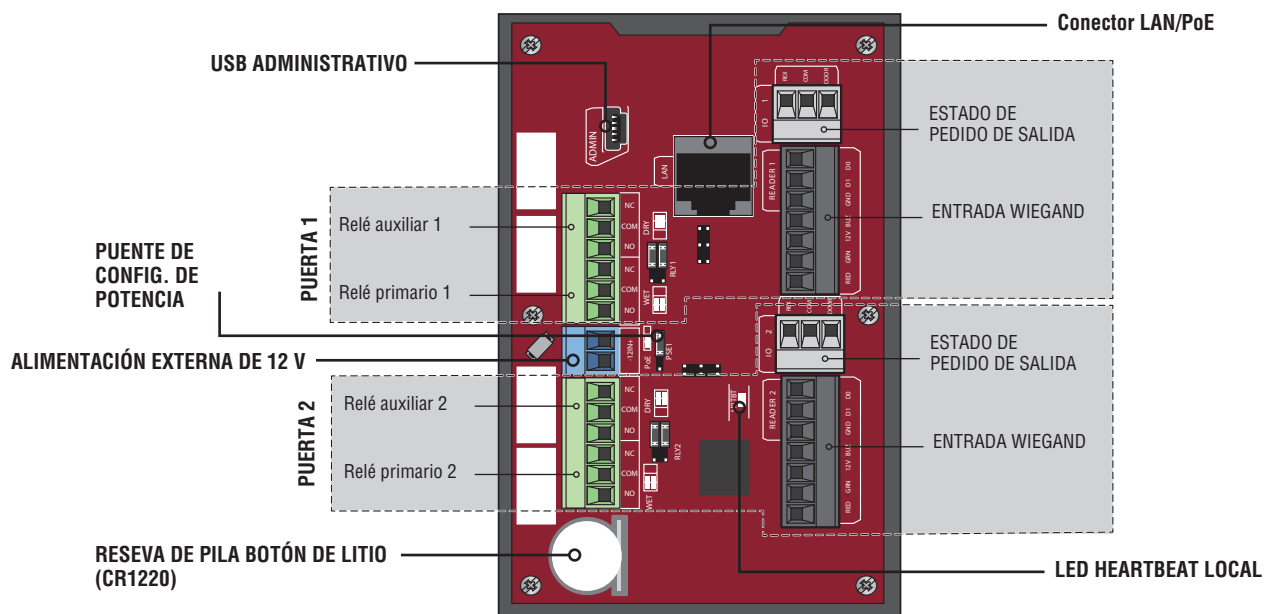
ADVERTENCIA

NO INSTALE EL SISTEMA EN MODO A PRUEBA DE FALLOS A MENOS QUE ESTÉ PERMITIDO POR LA AUTORIDAD LOCAL QUE TENGA JURISDICCIÓN. El hacerlo puede causar interferencia con el funcionamiento de la barra antipánico.

Descripción general del controlador



Descripción general de la tarjeta de control



Conexión de la tarjeta de control	Descripción
USB administrativo	Conectar mediante Mini-USB para acceder al administrativo
LAN/PoE	Conectar a la red. También puede conducir alimentación 802.3af/at
Reserva de batería de Litio	La batería preserva los datos del sistema durante los cortes de energía primarios
Heartbeat local	El LED indica una función adecuada
Indicador de relé	Luces LED cuando el relé está activado (una por relé)
Configuración de energía	El puente selecciona Poe o alimentación auxiliar

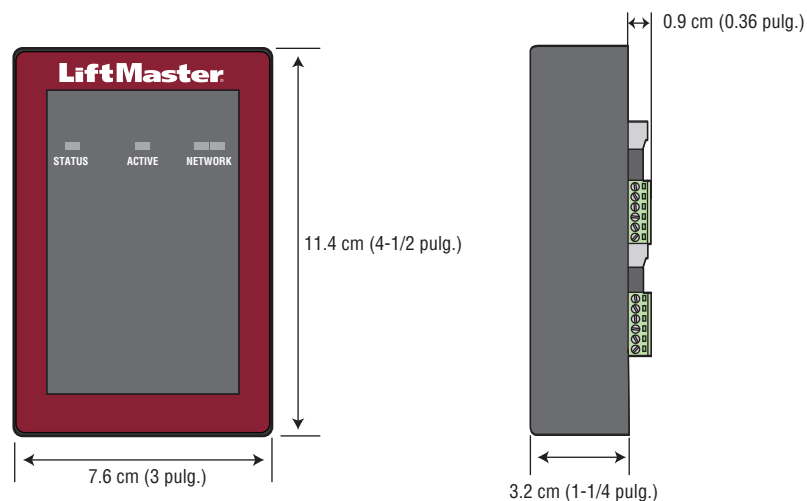
Contenido de la caja

- Controlador de puerta
- Cable USB
- Diodos
- Manual de instalación

Herramientas necesarias

- Destornillador Phillips PH2
- Destornillador Phillips de precisión de 1/8 pulg. plano o PH0
- Aprietatuercas de 1/4 pulg.
- Taladro/atornillador
- Broca de 7/64 pulg.
- Puntas de taladro martillo para taladro/atornillador
- Pinza engarzadora para conectores RJ45
- Multímetro
- Cinta de medir
- Curvadora de conductos
- Cuchilla/avellanador de conductos
- Sierra con marco
- Herramienta de punzón
- Martillo

Dimensiones



Especificaciones

Capacidad del CAP2D	Personas: 25,000 / Eventos: 8,000
Rango de temperatura de servicio del CAP2D	32 °F a 125 °F (0 °C a 49 °C)
Humedad operativa del CAP2D	de 5% a 95% sin condensación
Rango de temperatura de almacenamiento y transporte	-40 °F a 149 °F (-40 °C a 65 °C)
Entradas Wiegand (2)	26 bits, 30 bits. El CAP2D es compatible con los dispositivos Wiegand que transmiten hasta 255 bits de datos.
2 Salidas de relé principales y 2 auxiliares	SPDT
Compatibilidad de los accesorios	Consulte la página de accesorios para saber cuáles son los accesorios compatibles.
Compatibilidad de la red	Ethernet 10/100/1,000
Especificaciones del cable	Ethernet con cable RJ-45

Clasificación eléctrica

ALIMENTACIÓN	VOLTAJE	POTENCIA (MÍN.)
Entrada auxiliar	12 VCC	13 Vatios
Alimentación a través de Ethernet	44 a 57 VCC	13 Vatios

SALIDA	VOLTAJE	CORRIENTE (MAX)
Relés (húmedos)	12 VCC	750 mA (combinados)
Lectores Wiegand	12 VCC	750 mA (combinados)
Relés (inductivos-secos)	30 VCC (máx.)	2,000 mA

NOTA: El controlador IP de la puerta se debe conectar a una fuente de alimentación 294 o 603 comercial con certificación UL para Auxiliar, o a una fuente de potencia con certificación PoE 294/294b y certificación UL para Alimentación a través de Ethernet.

Especificaciones del cable

Use este cuadro para tender los cables en la preparación de su instalación.

DESCRIPCIÓN DEL TENDIDO DE CABLES	ESPECIFICACIONES DEL CABLE	DISTANCIA DEL TENDIDO MÁXIMO
Cable de potencia, salida secundaria de CC	2 Conductores de 14 AWG 2 Conductores de 16 AWG 2 Conductores de 18 AWG	Hasta 18.3 m (60 pies) Hasta 11.3 m (37 pies) Hasta 7.3 m (24 pies)
Cable de red de área local (LAN) CAT 5/6	8 Conductores, 24 AWG de par trenzado	100 m (328 pies)
Cerradura de la puerta/Operador de portón LiftMaster	2 Conductores de 18-22 AWG blindado	30.5 - 76.2 m (100 - 250 pies)
Bloqueo magnético	2 Conductores de 18-22 AWG	15.2 - 38.1 m (50 - 125 pies)
Cierre de contacto seco (la mayoría de los operadores de portón)	2 Conductores de 18-22 AWG blindado	152.4 - 762 m (500 - 2500 pies)
Pedido de salida (REX)	2 Conductores de 18-22 AWG	152.4 m (500 pies)
Entrada supervisada	2 Conductores de 18-22 AWG	152.4 m (500 pies)
Lectores Wiegand/de proximidad	7 Conductores de 18-22 AWG blindado	152.4 m (500 pies)

NOTA: El cableado de alimentación principal y de control **DEBEN** tenderse en conductos separados. Los circuitos deben estar aprobados por UL para alto y bajo voltaje. Consulte los requisitos de cableado adicionales de NEC y ANSI/NFPA 70.

NOTA: Coloque la unidad CAP2D dentro de los 152.4 m (500 pies) de su cerradura o enganche electrónicos asociados. El software de monitoreo no fue evaluado por UL.

Siempre suministre la energía desde una fuente dedicada. Enchufe el transformador que se suministra en un tomacorriente conectado a su propio interruptor automático de 10 amperios como mínimo. Esto evitará dos problemas:

- Otros equipos no podrán introducir picos de tensión, ruido, sobretensión o caídas en el circuito de energía que afecten al sistema.
- La operación del sistema no estará afectada si cualquier otro equipo genera un cortocircuito a lo largo de la línea eléctrica.

* NOTAS DEL CABLE DE RED CATEGORÍA 5/6:

- Para las distancias exteriores que superen los 42.7 m (140 pies), se **DEBE** instalar en el controlador un protector de sobretensión primario que cumpla la norma UL497.
- Las distancias que superen los 100 m (328 pies) se pueden adaptar con herrajes adicionales. Comuníquese con el Soporte Técnico para obtener más información. Los herrajes adicionales no fueron evaluados bajo la norma UL294.

1 Servicio de Internet

El controlador se DEBE configurar con los ajustes de red adecuados para que funcione.

RED

Proveedor de servicio de Internet: _____

Dirección de IP automática: DHCP (configuración predeterminada)

0

Dirección de IP estática: Opcional, requiere conexión a PC con USB (**NOTA:** Escriba lo siguiente para referencia futura: IP, máscara de red, Gateway, Primario, Secundario, Puerto del servidor)

2 # de panel de control para el controlador

(Ubicado en una etiqueta en la carcasa)

IPC - _ _ - _ _ _ _ _



3 Configurar una Cuenta LiftMaster Cloud

NOTA: Si tiene una cuenta MyQ®, su cuenta LiftMaster Cloud tendrá la misma contraseña.

1. Si no tiene una cuenta LiftMaster Cloud, llame al Centro de Atención al Cliente de LiftMaster al 800.323.2276 para activar una cuenta de Servicio en la Nube hospedada por LiftMaster.
2. Recibirá un correo de bienvenida de LiftMaster. Acepte la invitación por correo electrónico y regístrese o inicie sesión en su cuenta.
3. Configure la instalación y agregue los residentes y las credenciales (consulte la ayuda disponible en LiftMaster Cloud).
4. Continúe con la instalación del CAP2D en este manual.



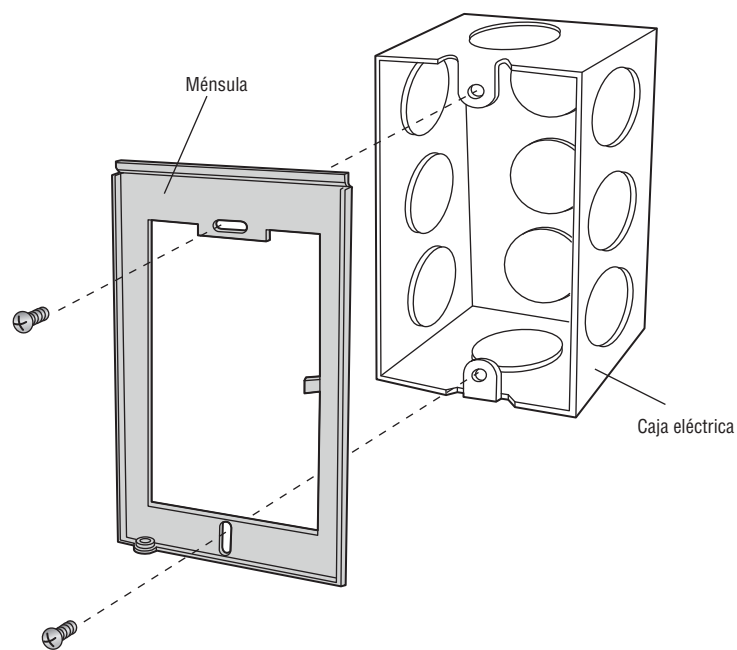
Para la programación de LiftMaster Cloud visite www.LiftMasterCloud.com.

4 Montaje de la ménsula

1. Instale una caja eléctrica en la ubicación de montaje deseada.

NOTA: Use una caja eléctrica cuadrada de 10 cm (4 pulg.) (con una profundidad mínima de 3.8 cm o 1 1/2 pulg.) y un anillo de salida única. Use Wiremold® V5744S o BW35 para las instalaciones de montaje en superficie.

2. Retire la ménsula de la parte posterior del CAP2D.
3. Monte la ménsula a la caja eléctrica.
4. Tienda todo el cableado a la caja eléctrica.
5. Una vez que ha completado todo el cableado, coloque el CAP2D en la ménsula y fíjelo en la parte inferior con el tornillo que se suministra.



1 Conectar la alimentación

SI USA PoE (ALIMENTACIÓN A TRAVÉS DE ETHERNET):

1. Conecte el cable Ethernet al puerto Ethernet en la tarjeta de control.
2. Mueva el puente de PoE a la configuración de alimentación a través de Ethernet (PoE).

SI USA UN SUMINISTRO DE ENERGÍA DE CC:

El tomacorriente para el controlador DEBE ser un tomacorriente de 120 VCA dedicado externo ubicado dentro de 18.3 m (60 pies) del tendido de cable del controlador. Se recomienda conectar este tomacorriente a su propio interruptor automático de 10 amperios como mínimo.

ESPECIFICACIONES DEL CABLE	DISTANCIA DEL TENDIDO MÁXIMO
14 AWG	Hasta 18.3 m (60 pies)
16 AWG	Hasta 11.3 m (37 pies)
18 AWG	Hasta 7.3 m (24 pies)

1. Conecte un cable de 14 a 18 AWG a los cables pelados de salida secundaria de CC en el suministro eléctrico. El negro es negativo y el rojo es positivo.
2. Conecte los cables de la alimentación eléctrica al bloque de terminales +12IN- (rojo a + y negro a -).
3. Una vez que haya realizado todas las conexiones, enchufe el transformador a un tomacorriente de 120 VCA.

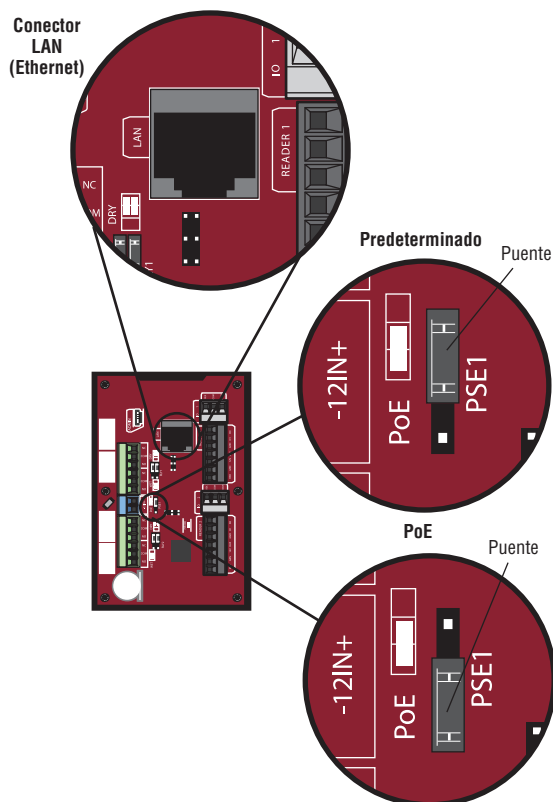
⚠️ ADVERTENCIA

NO conecte un suministro de energía de CC si Alimentación a través de Ethernet (PoE) está seleccionado y conectado. La tarjeta se puede dañar y NO está cubierta por la garantía.

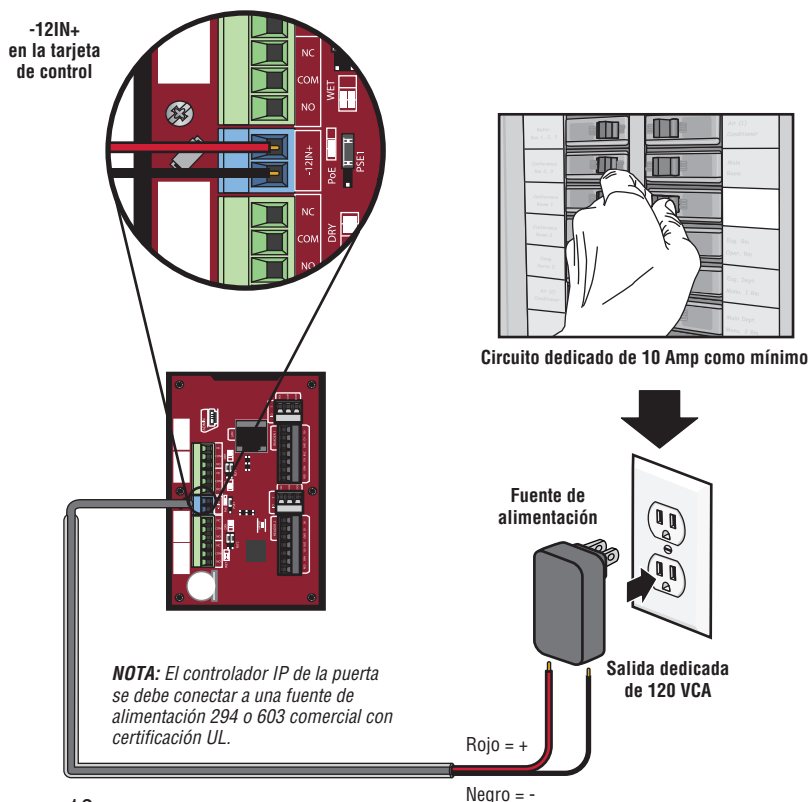
PRECAUCIÓN

- NO alimente las cerraduras ni el enganche electrónicos con la misma electricidad que se utiliza para alimentar el panel de control de acceso; de hacerlo, ocasionará DAÑOS al controlador. Utilice ÚNICAMENTE un sistema de control de acceso certificado por UL para alimentar las cerraduras y enganches electrónicos.
- NO conecte el suministro eléctrico a un tomacorriente conmutado o a otro tomacorriente controlado de CA.
- NO conecte el suministro eléctrico al tomacorriente de 120 VCA hasta que haya concluido TODO el cableado.
- Instale el dispositivo de supresión de ruidos transitorio (MOV) que se suministra con el controlador para los dispositivos con alimentación de CA y el diodo para los dispositivos con alimentación de CC.

PoE (Alimentación a través de Ethernet)



Fuente de alimentación

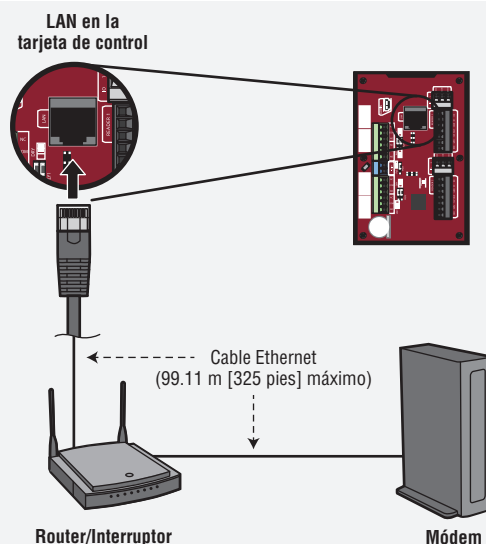


1 Conectar a Internet

Conexión con LAN

El puerto de la Red de Área Local (LAN) es una interfaz Ethernet 10/100 con un conector RJ45 para conectar el CAP2D a un hub, interruptor o router para tener conectividad a Internet. Use un cable recto (es decir, no cruzado) Cat5, Cat5e o Cat6 para realizar la conexión a un hub, interruptor o router local. En este manual, este tipo de cable se denomina cable Ethernet.

1. Conecte un cable Ethernet desde el hub, interruptor o router al puerto LAN en la tarjeta de control. Cuando se realiza la conexión de manera adecuada, los LED verde y ámbar en el puerto Ethernet se encienden/parpadean. Si el LED verde no se enciende, revise las conexiones en el controlador y el hub Ethernet.
2. La conexión predeterminada es DHCP, no se requiere una configuración adicional. Si se requiere una dirección IP fija para su configuración, use el cable USB que se proporciona para conectar el controlador a un PC.



IP estática (Opcional)

LiftMaster recomienda usar el CAP2D en modo de IP dinámica (DHCP), pero se puede configurar con IP estática si es necesario.

1. Conecte el CAP2D a su computadora portátil con el conector USB que se incluye. Conecte la alimentación al CAP2D usando un router/interruptor capaz de proporcionar Alimentación a través de Ethernet (POE) o la fuente de energía que se incluye. Si usa la fuente de energía que se incluye, mueva el puente de POE.
2. Instale los drivers USB
 - a. Si usa Windows Vista/7/10
 - b. Vaya a "Computer" (Computadora)
 - c. Haga clic derecho en "LiftMaster CAP2D Resources" (Recursos del CAP2D LiftMaster)
 - d. Haga clic en la carpeta "Driver" (Controlador)
 - e. Haga clic en "LiftMasterCAP2DDriverSupport"
 - f. Permita que el programa de configuración use privilegios administrativos
 - g. Haga clic en "Next" (Siguiente)
 - h. Acepte cualquier diálogo de advertencia
 - i. Haga clic en "Finish" (Finalizar)
 - j. Después de la instalación, un mensaje le pedirá que reinicie su PC. Puede seleccionar "Reboot later" (Reiniciar más adelante).
 - k. Retire el cable USB de la PC y espere que la PC reconozca la extracción del cable.
3. Fijar una dirección de IP estática:
 - a. A continuación, vuelva a introducir el cable USB en la PC y espere que la PC reconozca el dispositivo.
 - b. Abra su navegador e ingrese la dirección <http://192.168.207.1> para acceder a la interfaz del Administrador.
 - c. Se mostrará la página de inicio de sesión:
 - d. El usuario es "cli".
 - e. La contraseña es "new5cli".
 - f. Haga clic en la pestaña "Networking" (Redes).
 - g. Haga clic en "IP Configuration" (Configuración de IP).
 - h. Haga clic en el botón "Deactivate DHCP" (Desactivar DHCP).
 - i. Llene los campos según lo indique el personal de IT.
 - j. Haga clic en "Set Static Parameters" (Establecer parámetros estáticos). Los cambios se han guardado.
4. Cómo volver a la configuración de DHCP
 - a. Abra su navegador e ingrese la dirección <http://192.168.207.1>
 - b. Se mostrará la página de inicio de sesión:
 - c. El usuario es "cli".
 - d. La contraseña es "new5cli".
 - e. Haga clic en la pestaña "Networking" (Redes).
 - f. Haga clic en "IP Address Configuration" (Configuración de dirección de IP). Haga clic en el botón "Activate DHCP" (Activar DHCP).
5. Para verificar la conectividad:
 - a. Abra LiftMaster Cloud
 - b. Agregue el CAP2D a una instalación y confirme que el estado sea "Online" (Enlínea).

Modo Administrador

1. Conecte una computadora portátil al puerto USB ADMIN del CAP2D en la unidad usando un cable Mini-B USB.
 - a. El puerto ADMIN del CAP2D es una interfaz USB para conectar la unidad CAP2D a una computadora portátil o PC para tener acceso a las utilidades de configuración manual y depuración de la interfaz administrativa local.
 - b. El puerto requiere un cable Mini-B USB para el acceso entre la computadora portátil y la unidad CAP2D.

Cableado de REX (Pedido de salida) y Operadores de puertas/portón LiftMaster

1. Conecte el REX y el bloque terminal de la PUERTA.
 - a. Conecte los contactos normalmente abiertos (NO) del dispositivo REX a los terminales REX y COM.
 - Cuando el interruptor se cierra, inicia una secuencia del programa de Pedido de salida (REX), que incluye la opción de activar la puerta u otros relés, la cerradura de puerta y contra incendios y suprimir cualquier mensaje de “Puerta forzada”.
 - b. Conecte los contactos normalmente cerrados (NC) del sensor de la puerta a los terminales COM y CONTACT.
 - En este contexto, un interruptor NC se considera cerrado cuando la puerta está cerrada (el imán está presente), y abierto cuando la puerta está abierta (sin imán presente).
 - Cuando el interruptor está abierto, el panel de control interpreta esta entrada como una condición de “Puerta abierta”. Cuando el interruptor está cerrado, el panel de control interpreta esta entrada como una condición de “puerta cerrada”.
 - Este circuito brinda información sobre el estado de la puerta (abierta/cerrada) al panel de control, de modo que LiftMaster Cloud pueda adoptar una acción adecuada de manera local, o enviar notificaciones por correo electrónico si es necesario.
2. Conecte el RELÉ DE BLOQUEO DE PUERTA del bloque terminal.
 - a. Conecte el enganche de la puerta al terminal COM y al terminal NO o NC.
 - b. El RELÉ DE BLOQUEO DE LA PUERTA brinda contactos de NO (normalmente abierto) y de NC (normalmente cerrado), y se activa en respuesta a la presentación de credenciales válidas o la entrada REX programable.
 - c. El tiempo y otros aspectos de la activación del relé se programan a través de LiftMaster Cloud.
3. Si se utiliza para puenteo de alarma, conecte el bloque terminal del RELÉ AUXILIAR 1. Si no se utiliza para el puenteo de alarma, el RELÉ AUXILIAR 1 se puede utilizar para otros propósitos diversos.
4. Conecte el RELÉ AUXILIAR 2. Al igual que el AUX RELAY 1, este bloque de terminales se puede usar para distintos propósitos.

NOTA: Los AUX RELAY totalmente programables brindan contactos NO (Normalmente abiertos) y NC (Normalmente cerrados).



ADVERTENCIA

Existe un límite de CC de 24 voltios, 3 amperios en la corriente para TODOS los relés.

Cableado de REX y Operadores de puertas/portón LiftMaster (continuación)

5. Conecte los interruptores del lector a la entrada Wiegand de terminales en este nodo de la puerta.

Al momento de redactar este manual, los siguientes lectores han sido evaluados por Underwriters Laboratories para el uso con este equipo:

- HID ProxPoint Plus
- HID Thinline II
- HID iClass RPK40CKNN
- HID iClass R10CKNN
- XCEEDID X1050B-B READER
- LiftMaster KPR2000

NOTA: Consulte la Guía de cableado que se suministra con el Lector/Teclado para ver los diagramas de conexión.

- a. Utilice el cable recomendado por el fabricante del lector o teclado. Si no hay recomendaciones de cable, utilice un cable de mínimo 22 AWG con conductores suficientes que incluyan blindaje (pérdida).
 - b. La interfaz del lector utiliza convenciones de cableado estándar de Wiegand. Conecte el cable correctamente al bloque del terminal en el nodo adecuado de la tarjeta. A continuación se incluye una guía de cableado que no es universal, pero es típica. Consulte la Guía de cableado que se suministra con el Lector/Teclado para ver las pautas vinculadas con su lector o teclado específico.
 - Conecte el cable verde del lector al terminal DATA0. Este es el circuito estándar de Data 0 para los lectores Wiegand.
 - Conecte el cable blanco del lector al terminal DATA1. Este es el circuito estándar de Data 1 para los lectores Wiegand.
 - Conecte el cable negro del lector al terminal GND. Este es el circuito estándar de tierra para el lector.
 - Conecte el cable azul del lector al terminal BUZZ. Este es el circuito estándar de Buzzer para el lector.
 - Conecte el cable rojo del lector al terminal de 12 VCC. Esto proporciona +12 VCC para alimentar el lector.
 - Conecte el cable anaranjado del lector al terminal GRN LED. Este es el circuito LED verde.
 - Conecte el cable marrón del lector al terminal RED LED. Este es el circuito LED rojo.
6. Instale MOV.
 - a. En los operadores de portón LiftMaster, instale el MOV en los terminales NC y Común, lo más cerca posible de la cerradura o enganche eléctricos. Esto normalmente se encontrará en la conexión desde el cableado instalado en campo hasta los terminales roscados o de tornillo de la cerradura o enganche electrónicos.
 - b. Utilice el cable recomendado por el fabricante de la cerradura o el enganche. Si no hay recomendaciones de cable, utilice un cable de mínimo 18 AWG con suficientes filamentos para la cerradura o enganche electrónicos específicos.



ADVERTENCIA

Instale el dispositivo de supresión de ruido transitorio (MOV) incluido con el panel de control.

Operación

Funcionamiento normal en espera: El CAP2D siempre está preparado y monitoreando si se producen cambios en las entradas. Si alguna de las entradas cambia de estado, el CAP2D responde localmente y comunica el cambio a LiftMaster Cloud.

Funcionamiento con lector/teclado: El CAP2D está diseñado para trabajar con un lector y un teclado aprobados que usan un formato estándar Wiegand de 26 bits. Algunos teclados pueden usar un formato ASCII para ingresar los códigos de acceso.

Consulte el diagrama de cableado para realizar la conexión física al CAP2D. Consulte los manuales del lector y del teclado para obtener las instrucciones de operación completas.

Acceso otorgado/Acceso rechazado: Cuando se presenta una credencial válida, se otorga acceso sin respuesta auditiva o visual del CAP2D. Algunos dispositivos accesorios pueden brindar una respuesta. P. ej., un receptor o lector de tarjeta puede emitir una señal sonora o cambiar los colores de un LED para comunicar el estado.

Mantenimiento y prueba: No se requiere mantenimiento ni pruebas periódicas para que el producto tenga un funcionamiento seguro y normal.

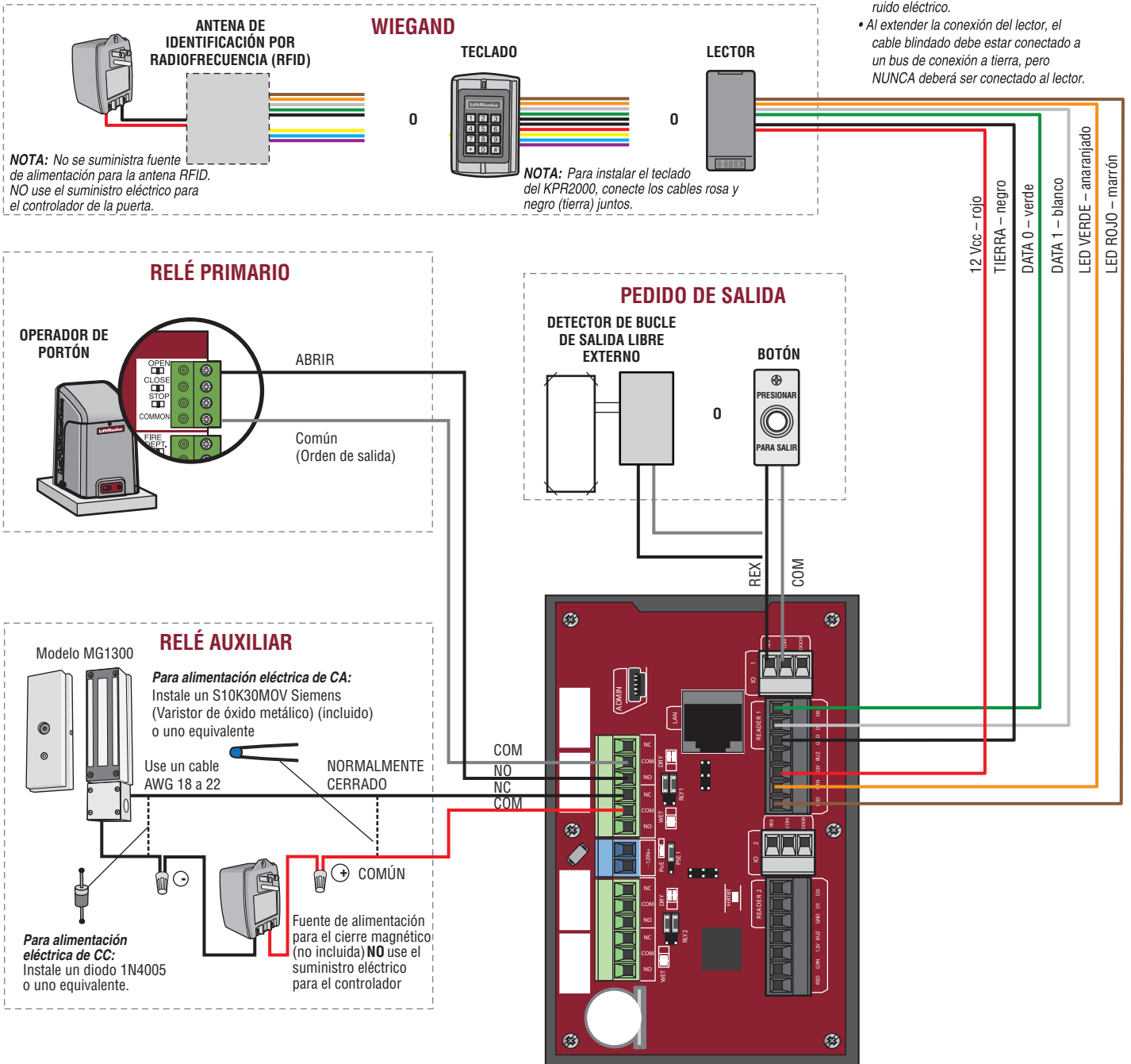
Acceso de portón

Desconecte la alimentación ANTES de realizar las conexiones eléctricas. A continuación encontrará un ejemplo de una configuración de cableado para el acceso de portón. El acceso de portón se puede conectar por cable a la puerta 1 o 2.

NOTA: Las fuentes de alimentación deberán ser de salida limitada de potencia 294 o 603 comerciales con certificación UL.

NOTAS:

- La longitud de los cables sin blindaje debe ser la mínima posible para evitar el ruido eléctrico.
- Al extender la conexión del lector, el cable blindado debe estar conectado a un bus de conexión a tierra, pero NUNCA deberá ser conectado al lector.



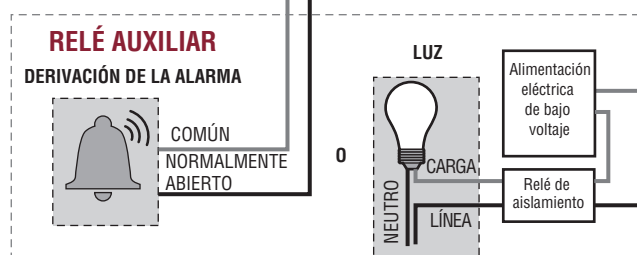
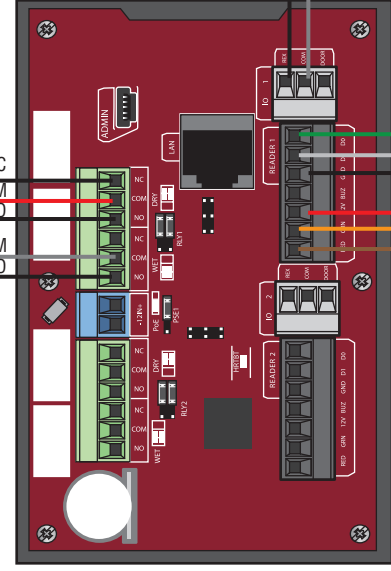
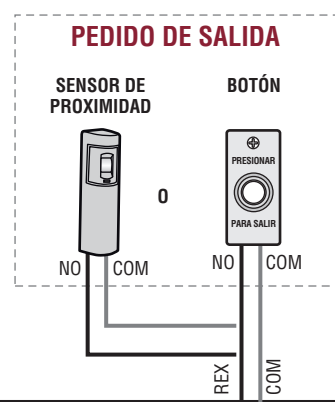
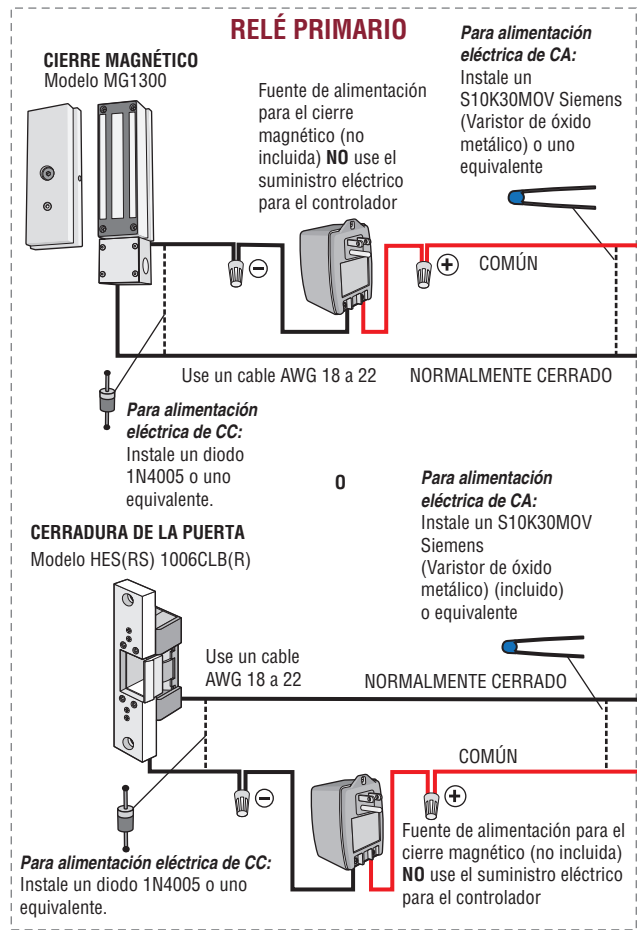
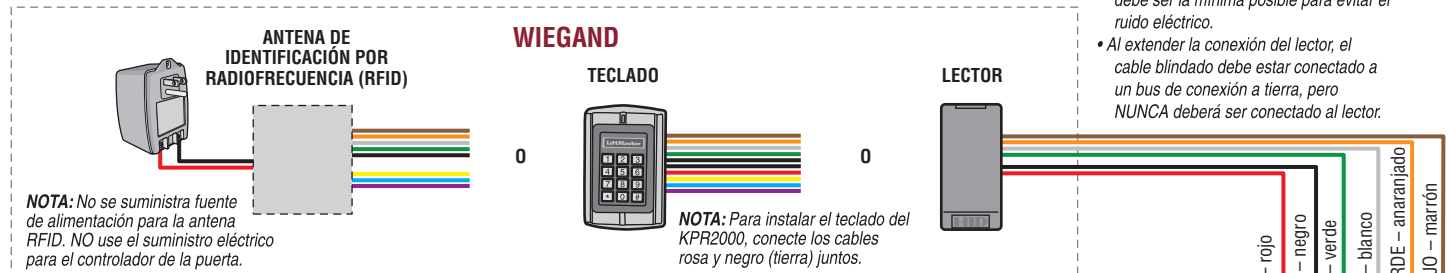
Acceso de puerta

Desconecte la alimentación ANTES de realizar las conexiones eléctricas. A continuación encontrará un ejemplo de una configuración de cableado para el acceso de puerta. El acceso de puerta se puede conectar por cable a la puerta 1 o 2.

NOTA: Las fuentes de alimentación deberán ser de salida limitada de potencia 294 o 603 comerciales con certificación UL.

NOTAS:

- La longitud de los cables sin blindaje debe ser la mínima posible para evitar el ruido eléctrico.
- Al extender la conexión del lector, el cable blindado debe estar conectado a un bus de conexión a tierra, pero NUNCA deberá ser conectado al lector.

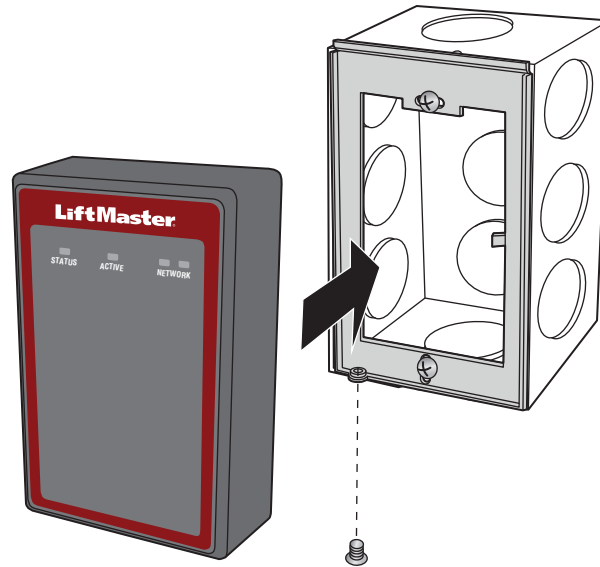


NOTA: NO coloque cables de alto voltaje dentro de la carcasa del CAP2D. Esta configuración no fue evaluada por UL. Use suministros de energía de potencia limitada con certificación UL y relés de aislamiento con certificación UL.

1 Instale el CAP2D

1. Asegurarse de que todo el cableado esté colocado dentro de la caja eléctrica.
2. Deslice el CAP2D en la ménsula y fíjelo con el tornillo.

NOTA: Las unidades de control se deberán montar en un área protegida. El dispositivo de salida REX y el cableado deben estar dentro del área segura.



Validar la operación adecuada: Prueba cada uno de los tipos de credenciales y asegúrese del funcionamiento adecuado de cada puerta/portón conectado al CAP2D. Las credenciales válidas y las entradas de Pedido de salida deberían activar el relé. Visite LiftMasterCloud.com para obtener los datos de programación y verificar el estado y la actividad del CAP2D.

Resolución de problemas

El CAP2D no se enciende al conectar un transformador de 12 VCC.

Verifique la posición del puente de PoE. Mueva el puente a la ubicación superior.

El relé no se activa al presentar una credencial.

Verifique la alimentación; ¿los LED están encendidos? Verifique si las conexiones y los dispositivos de entrada funcionan correctamente. Consulte el registro de actividad de LiftMaster Cloud para obtener ayuda en el diagnóstico.

Recibí un correo electrónico donde decía que el CAP2D estaba fuera de línea.

Consulte en LiftMaster Cloud el último estado en línea o fuera de línea. Si aún está fuera de línea verifique la conexión local a Internet y el suministro de energía al CAP2D. A veces, esto también sucede durante el mantenimiento regular en los servidores de LiftMaster Cloud. El CAP2D almacena la base de datos en forma local y sigue proporcionando el control de acceso sin una conexión a Internet. Los cambios en la actividad y la base de datos solamente se intercambian con LiftMaster Cloud cuando el CAP2D está en línea.



Para la programación de LiftMaster Cloud visite www.LiftMasterCloud.com.

Hoja de configuración

A continuación, registre la información del dispositivo y los ajustes de configuración.

Nombre del controlador:

NOTA: Todo usuario del sistema está sujeto a los términos que se detallan en el Contrato de Licencia de Usuario Final (EULA).

Notas:

CONFIGURACIÓN DEL DISPOSITIVO:

PUERTA 1	NOMBRE DE LA PUERTA O EL PORTÓN:		
ENTRADAS	WIEGAND	REX	ESTADO
			Fin de línea (S/N):
SALIDAS	RELÉ PRIMARIO		RELÉ AUXILIAR
	N.O.	N.C.	N.O. N.C.
Notas:			

PUERTA 2	NOMBRE DE LA PUERTA O EL PORTÓN:		
ENTRADAS	WIEGAND	REX	ESTADO
			Fin de línea (S/N):
SALIDAS	RELÉ PRIMARIO		RELÉ AUXILIAR
	N.O.	N.C.	N.O. N.C.
Notas:			

Avisos legales

En cumplimiento con la Comisión Federal de Comunicaciones (FCC).

Este equipo ha sido sometido a pruebas y se ha determinado que cumple con los límites de un dispositivo digital clase B, de conformidad con la parte 15 de las normas de la FCC. Estos límites están diseñados para brindar una protección razonable contra interferencias perjudiciales en una instalación residencial o cuando el equipo es operado en un entorno comercial. Este equipo genera, utiliza y puede irradiar energía de radiofrecuencia y, si no se instala y utiliza de acuerdo con el manual de instrucciones, puede provocar interferencias dañinas en las comunicaciones de radio. Sin embargo, no hay garantía de que no se produzcan interferencias en una instalación particular. Si este equipo produce interferencia en la recepción de radio o televisión, lo cual puede determinarse apagando y encendiendo la unidad, el usuario debe tratar de corregir el problema por medio de lo siguiente:

- Aumente la distancia entre el equipo y el receptor.
- Conecte el equipo a un circuito distinto del que el receptor está conectado.
- Consulte a su distribuidor para obtener ayuda.

Cumplimiento con las normas de Underwriters Laboratories (C-UL) de Canadá

Para las aplicaciones certificadas por C-UL, el controlador deberá instalarse de conformidad con la parte 1 del Código Eléctrico Canadiense.

Aviso de documentación y restricciones

La información contenida en este documento está sujeta a cambios sin previo aviso, y no representa un compromiso de parte de LiftMaster. Para obtener la información más actualizada, visite www.LiftMaster.com.

Este documento y los datos incluidos en el presente no se deberán duplicar, utilizarse o divulgarse a otros para la adquisición o manufactura, a menos que se cuente con autorización por escrito de LiftMaster. La información contenida en este documento o dentro del mismo producto se considera propiedad exclusiva de LiftMaster. Toda la información de este documento o dentro de los productos de hardware y software en sí está protegida por los derechos de autor u otras leyes de propiedad intelectual de los Estados Unidos.

UL 294 Unidad de control de acceso de nivel 1 (Ataque, Resistencia, Seguridad de la línea, Espera)

AVISO: Para cumplir con la reglamentación de la FCC y/o de Industry Canada (IC), se prohíbe hacer ajustes o modificaciones de este transceptor. NO HAY PIEZAS REPARABLES POR EL USUARIO. Todo cambio o toda modificación no expresamente aprobada por la parte responsable del cumplimiento podría anular el derecho de usar el equipo.

NOTIFICACIÓN: Este dispositivo cumple con la Parte 15 de las normas FCC y las normas RSS Industry Canada (IC) de Canadá. La operación está sujeta a las siguientes dos condiciones: (1) Este dispositivo no debe causar interferencia perjudicial, y (2) este dispositivo debe poder recibir interferencia, incluso interferencia que pueda afectar su funcionamiento.

Este aparato digital de Clase B cumple con las normas canadienses ICES-003

Este dispositivo ha sido probado y cumple con los límites establecidos para un dispositivo digital de Clase B según la Parte 15 de las Normas de FCC de EE.UU. Estos límites están diseñados para brindar una protección razonable contra interferencias perjudiciales en instalaciones residenciales. Este equipo genera, usa y puede emitir energía de radiofrecuencia y, si no se instala y utiliza de acuerdo con las instrucciones, podría causar interferencia perjudicial a las comunicaciones radiales. Sin embargo, no hay garantía de que no se produzcan interferencias en una instalación particular. Si este equipo produce interferencia en la recepción de radio o televisión, lo cual puede determinarse apagando y encendiendo la unidad, el usuario debe tratar de corregir el problema por medio de lo siguiente:

- Reorientar o reubicar la antena de recepción.
- Aumentar la distancia de separación entre el equipo y el receptor.
- Conectar el equipo a un tomacorriente de un circuito eléctrico diferente al que esté conectado el receptor.
- Consultar al distribuidor del producto o a un técnico idóneo de radio y televisión.
- Instalar este dispositivo de manera que quede una distancia mínima de 8" (20 cm) entre el dispositivo y los usuarios/transeúntes.

Garantía

LiftMaster (el "Vendedor") garantiza al primer comprador de este producto, para la estructura en la que se instale originalmente este producto, que este mismo está libre de defectos de materiales y de mano de obra por un período de dos años a partir de la fecha de compra.

La operación correcta de éste producto depende de que usted siga las instrucciones de instalación, operación, mantenimiento y prueba. No seguir estrictamente esas instrucciones anulará por completo esta garantía limitada.

Si durante el período de garantía limitada, este producto parece contener un defecto cubierto por esta garantía limitada, llame al número 1-800-528-2806 antes de desmantelar este producto. Luego envíe este producto, con gastos y seguro pagados, a nuestro centro de servicio para el reemplazo de garantía. Los productos devueltos al Vendedor para el reemplazo de garantía, que al ser recibidos por el Vendedor se confirme que tienen defectos y que están cubiertos por esta garantía limitada, serán reemplazados (a opción única del Vendedor) sin costo para usted y le serán devueltos con los gastos de envío pagados. Las piezas defectuosas serán reemplazadas con piezas nuevas o reconstruidas de fábrica a la exclusiva opción del Vendedor.

ESTA GARANTÍA LIMITADA SUSTITUYE A OTRAS GARANTÍAS EXPRESAS O IMPLICADAS, INCLUYENDO CUALQUIER GARANTÍA IMPLICADA DE MERCANTIBILIDAD O DE ADECUACION PARA UN PROPOSITO PARTICULAR, O DE CUALQUIER OTRA INDOLE, ADEMÁS DE CUALQUIER OTRAS OBLIGACIONES O RESPONSABILIDADES DE PARTE DEL VENDEDOR. ESTA GARANTÍA LIMITADA NO CUBRE DAÑOS NO RELACIONADOS CON DEFECTO DEL PRODUCTO, DAÑOS CAUSADOS POR LA INSTALACIÓN, LA OPERACIÓN O EL CUIDADO INCORRECTOS (INCLUIDOS, SIN LIMITARSE A ELLO, ABUSO, MALTRATO, FALTA DE MANTENIMIENTO RAZONABLE Y NECESARIO O CUALQUIER ALTERACIÓN A ESTE PRODUCTO), NI LOS CARGOS DE MANO DE OBRA POR LA REINSTALACIÓN DE UNA UNIDAD REPARADA O REEMPLAZADA, NI TAMPOCO EL REEMPLAZO DE BATERÍAS. EL VENDEDOR NO SERÁ RESPONSABLE, EN NINGUNA CIRCUNSTANCIA, DE DAÑOS EMERGENTES, INCIDENTALES O ESPECIALES QUE SURJAN EN RELACIÓN CON EL USO O LA INCAPACIDAD DE USAR ESTE PRODUCTO. LA RESPONSABILIDAD DEL VENDEDOR POR VIOLACIÓN DE LA GARANTÍA, POR VIOLACIÓN DEL CONTRATO, NEGLIGENCIA O RESPONSABILIDAD ESTRICTA, EN NINGÚN CASO DEBERÁ EXCEDER EL COSTO DEL PRODUCTO CUBIERTO POR LA PRESENTE. NINGUNA PERSONA ESTA AUTORIZADA A ASUMIR EN NUESTRO NOMBRE NINGUNA OTRA RESPONSABILIDAD CON LA VENTA DE ESTE PRODUCTO.

Algunos estados no permiten la exclusión o limitación de daños consecuentes, incidentales o especiales, de manera que la anterior limitación o exclusión podría no proceder en el caso de usted. Esta garantía limitada le proporciona derechos legales específicos y usted también puede tener otros derechos, los cuales varían de un estado a otro.

Todas las marcas comerciales, marcas de servicio y nombres de productos o servicios son marcas comerciales o marcas comerciales registradas de sus respectivos propietarios.

© 2017 LiftMaster