

FEATURES

- Mechanical, keyless, push button lock
- Option of lever handle or knob
- Heavy-duty handles
- Passage function
- Changeable handing
- Adjustable backset latch
- Magnet-proof

OPTIONS



DIMENSIONS & SPECIFICATIONS

Dimensions with lever:

- Length: 7 5/16"
- Width: 2 3/16"
- Depth: 2 3/8"

Lever Size: 5" W x 5/8" H

Dimensions with knob:

- Length: 7 5/16"
- Width: 2 3/16"
- Depth: 2 13/16"

Backset: Adjustable

Material: Zinc-plated steel

Teflon coated stainless steel interior components

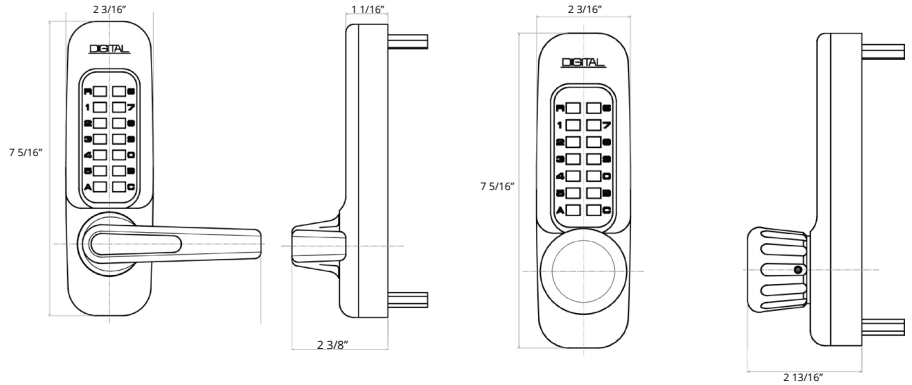
Door Thickness: 1 1/8" to 2"

Up to 5" thick door with an Extension Kit (sold separately)

For Exterior & Interior Use

Weather Resistant

Lifetime Mechanical Warranty



ORDERING INFORMATION

Finish	Lever	Knob	Lever Double Combination	Knob Double Combination
Jet Black	1150JB	1600JB	1150JBDC	1600JBDC
Marine Grade	1150MG	1600MG	1150MGDC	1600MGDC
Oil Rubbed Bronze	1150OB	1600OB	1150OBDC	1600OBDC