



LOCKEY **USA**

2018 PRODUCT CATALOG

WWW.LOCKEYUSA.COM



TABLE OF CONTENTS

Page # Product

Electronic	Mechanical	KO Standard	KO available	MG available	DC available	Passage	Thumbturn	Knob	Lever	Surface Mount	Mortise	Narrow Stile	Flush Fit	Gate Box available
------------	------------	-------------	--------------	--------------	--------------	---------	-----------	------	-------	---------------	---------	--------------	-----------	--------------------

To find an authorized **Lockey USA** distributor or to inquire about becoming a Lockey distributor, visit LockeyUSA.com/distributors

To request additional copies of this **Lockey USA** Product Catalog, visit LockeyUSA.com/product-catalog

Find installation, programming and user instructions online at LockeyUSA.com/instructions

Lockey USA product warranty statements are available at LockeyUSA.com/warranty. Please note the product warranty does not cover the finish.

DC
Many of our products are available in Double Combination (DC). DC locks have a combination body on both the interior and exterior. DC locks require a code to unlock from both the interior and exterior.

KO
Many of our products are available in Key Override (KO). For warranty information, visit LockeyUSA.com.

KOS
Locks with x* under **KO available** are compatible with the add-on Key Override System (KOS), which is sold separately.

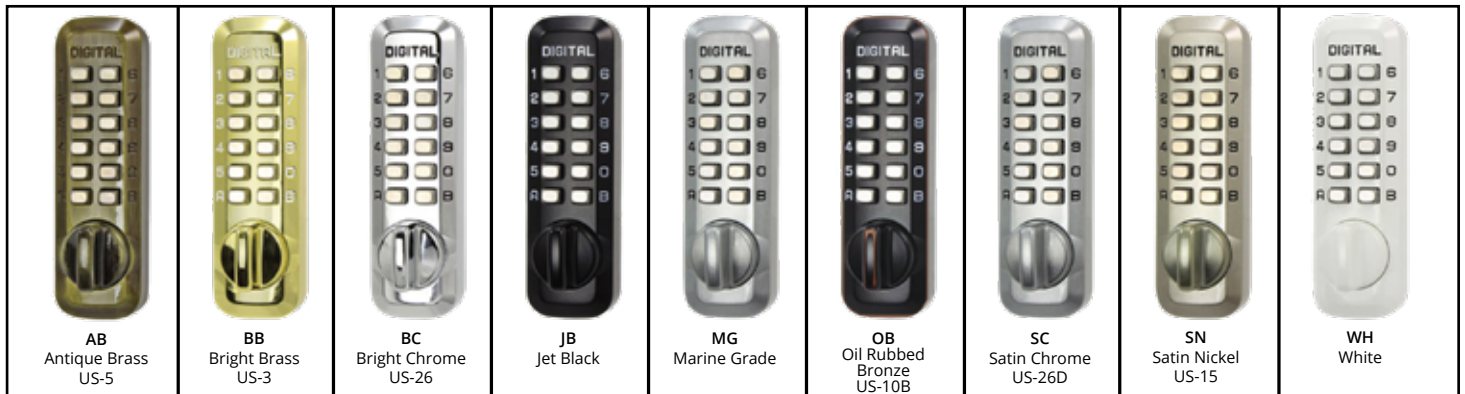
MG
Many products are offered in the Marine Grade (MG) finish, which is designed to extend the life of the finish when exposed to corrosive elements of saltwater environments. The Marine Grade finish closely resembles the Satin Chrome finish.

Page 1	EC780	x		x						x				
Page 2	EC781	x		x						x				
Page 3	EC782	x		x										
Page 4	EC783	x		x						x				
Page 5	EC784	x		x						x				
Page 6	EC785	x		x									x	
Page 7	EC790	x		x									x	
Page 9	GE370	x		x						x				
Page 10	SL910	x		x										
Page 11	E910	x		x										
Page 12	E930	x		x										
Page 13	E985	x		x										
Page 14	C120		x			x				x				
Page 15	C150		x			x				x				
Page 16	C170		x							x				
Page 17	MC728		x	x						x				
Page 18	GM270		x	x						x			x	
Page 19	M210		x			x	x			x				GB200M GB210
Page 20	M220		x			x				x				
Page 21	M230		x			x	x			x				GB200M
Page 22	1150		x			x	x	x		x				GB1150
Page 22	1600		x			x	x	x		x				GB1150
Page 23	2200		x			x*				x				
Page 24	2210		x			x*	x	x		x				GB2500
Page 25	2500		x			x*				x				
Page 26	2830		x			x*	x	x	x	x				GB2500
Page 27	2835		x			x*	x	x	x	x				GB2500
Page 29	2900		x			x*	x	x		x		x		GB950
Page 30	2930		x			x*	x	x	x	x		x		GB900
Page 31	2950		x			x*	x	x		x		x		GB950
Page 32	2985		x			x*	x	x	x	x		x		GB900
Page 33	3210		x			x	x			x				GB2500
Page 34	3230		x			x	x			x				GB2500
Page 35	Specialty		x											

Page 36	Gate Boxes
Page 37	Panic Hardware
Page 38	Panic Bars
Page 39	Panic Trims & Gate Boxes
Page 40	Panic Shield Value Kits
Page 41	Panic Shield Safety Kits
Page 42	Panic Shield Security Kits
Page 43	TB100 Gate Closer
Page 44	TB175 Garden Gate Closer
Page 45	TB200 & TB200SS Stainless Steel

Page 46	TB400 & TB400SS Stainless Steel
Page 47	TB600 & TB600SS Stainless Steel
Page 48	TB250 Adjustable Gate Closer
Page 49	TB450 Adjustable Gate Closer
Page 50	TB650 Adjustable Gate Closer
Page 51	TB950 Magnum Hinge & Closer
Page 52	TB LINX, TB950 LINX & GB2900 LINX
Page 53	Accessories

For more detailed information on Lockey USA products, contact your sales representative.





FEATURES

- Public, Private & Remote Allocation System (RAS) mode
- Key override
- Up to 80,000 cycles per pair of AA batteries
- Batteries included
- Battery condition indicator
- Audible keypad (can be turned on/off)
- 8 digit master code
- 6 digit sub-master code
- 4 digit user codes
- 6 digit technician code
- Auto unlock mode (can be turned on/off)

OPTIONS

- Finishes:** Black (B), Silver (S), White (W), Custom*
- Keypad Direction:** Vertical (V), Right (R), Left (L)
- Push to Lock SLAM Latch (3)
- Remote Allocation System (RAS)

DIMENSIONS & SPECIFICATIONS

External Dimensions:

- Length: 136mm (5.35")
- Width: 37mm (1.46")
- Depth: 27mm (1.06")

Mounting Hole Shape: 2 or 3 point mounting

Spindle Length: 20mm standard, 24mm by special order*

Power: 2 x AA Battery (Alkaline)

Operations: Up to 80,000 cycles per pair of AA batteries

Low Battery: LED lights with battery condition indicator

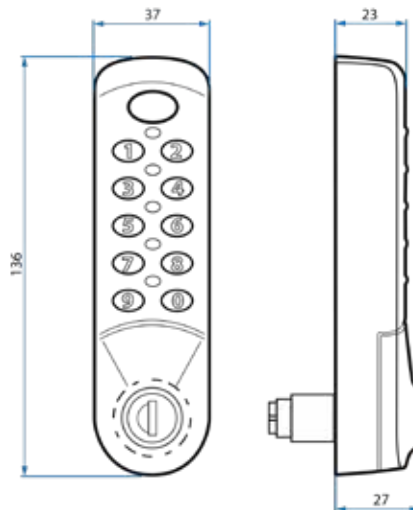
Material: Zinc diecast

Finish: Powder coated

Standard Cam Capability: 1/4" to 1 1/2"

Keys Included: 2

For Internal Use



Optional SLAM Latch (3):



ORDERING INFORMATION

Order # for EC780 shown above is EC780SV

Order #	Finish	Keypad Direction	SLAM Latch	RAS
EC780	(B) Black (S) Silver (W) White	(V) Vertical (R) Right (L) Left	3	RAS

*Contact LockeyUSA for minimum order quantities and lead times for custom orders.



FEATURES

- Suitable for chlorinated environments
- Public, Private & Remote Allocation System (RAS) mode
- Key override
- Up to 80,000 cycles per pair of AA batteries
- Batteries included
- Battery condition indicator
- Audible keypad (can be turned on/off)
- 8 digit master code
- 6 digit sub-master code
- 4 digit user codes
- 6 digit technician code
- Auto unlock mode (can be turned on/off)
- Technician mode

OPTIONS

- Finishes:** Black (B), Silver (S), White (W), Custom*
- Keypad Direction:** Vertical (V), Right (R), Left (L)
- ADA Wet Area Kit (A)
- Remote Allocation System (RAS)

DIMENSIONS & SPECIFICATIONS

External Dimensions:

- Length: 140mm (5 1/2")
- Width: 41mm (1.61")
- Depth: 32.5mm (1.28")

Mounting Hole Shape: 2 or 3 point mounting (see technical drawing)

Spindle Length: 16mm standard, 20mm by special order*

Power: 2 x AA Battery (Alkaline)

Operations: Up to 80,000 cycles per pair of AA batteries

Low Battery: LED lights with battery condition indicator

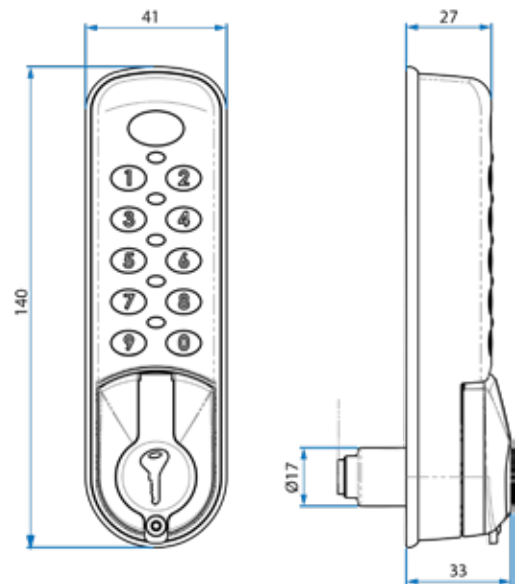
Material: Zinc diecast

Finish: Powder coated

Standard Cam Capability: 1/4" to 1 1/2"

Keys Included: 2

IP65 Rated



ORDERING INFORMATION

Order # for EC781 shown above is EC781BV

Order #	Finish	Keypad Direction	ADA Kit	RAS
EC781	(B) Black (S) Silver (W) White Custom*	(V) Vertical (R) Right (L) Left	A	RAS

*Contact LockeyUSA for minimum order quantities and lead times for custom orders.



FEATURES

- ADA Lever Handle
- Public, Private & Remote Allocation System (RAS) mode
- Key override
- Up to 80,000 cycles per pair of batteries
- Batteries included
- Battery condition indicator
- Audible keypad (can be turned on/off)
- 8 digit master code
- 6 digit sub-master code
- 4 digit user codes
- 6 digit technician code
- Auto unlock mode (can be turned on/off)
- Technician mode

OPTIONS

- Finishes:** Black (B), Silver (S), White (W), Custom*
- Keypad Direction:** Vertical (V), Right (R), Left (L)
- Push to Lock SLAM Latch (3)
- Remote Allocation System (RAS)

DIMENSIONS & SPECIFICATIONS

External Dimensions:

- Length: 185.5mm (7.3")
- Width: 37mm (1.46")
- Depth: 28.7mm (1.13")

Mounting Hole Shape: 2 or 3 point mounting (see technical drawing)

Spindle Length: 20mm standard, 24mm by special order*

Power: 2 x AA Battery (Alkaline)

Operations: Up to 80,000 cycles per pair of AA batteries

Low Battery: LED lights with battery condition indicator

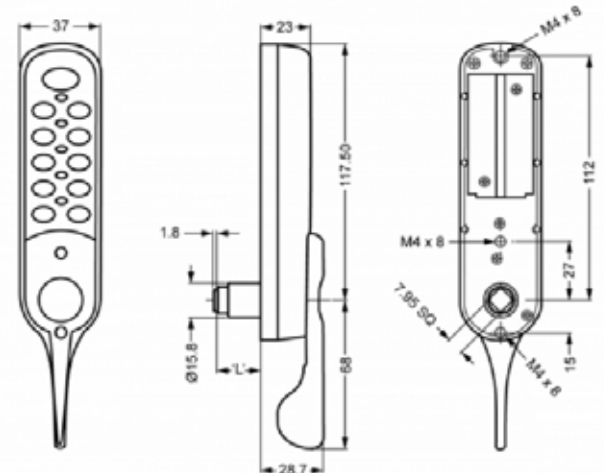
Material: Zinc diecast

Finish: Powder coated

Standard Cam Capability: 1/4" to 1 1/2"

Keys Included: 2

For Internal use



ORDERING INFORMATION

Order # for EC782 shown above is EC782SV

Order #	Finish	Keypad Direction	SLAM Latch	RAS
EC782	(B) Black (S) Silver Custom*	(V) Vertical (R) Right (L) Left	3	RAS

*Contact LockeyUSA for minimum order quantities and lead times for custom orders.



FEATURES

- RFID: Can be paired with existing MIFARE/NFC 13.56MHz systems or used separately
- Public and Private user modes
- Key override
- Up to 80,000 cycles per pair of AA batteries
- Batteries included
- Battery condition indicator
- Audible actuation (can be turned on/off)

PROGRAMMING OPTIONS

Change master card, add user card, delete all user cards, delete single user card (with & without user card), set private mode & public mode, set audio, auto unlock, set read speed mode.

ORDERING OPTIONS

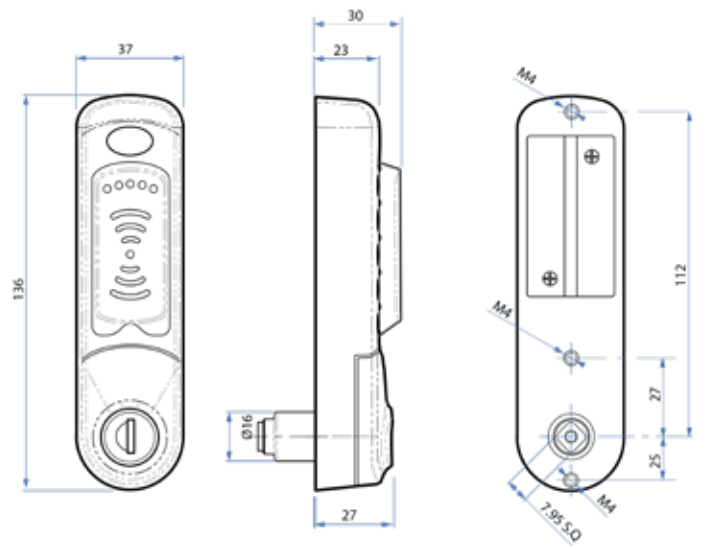
Finishes: Black (B), Silver (S), Custom*
Push to Lock SLAM Latch (3)

DIMENSIONS & SPECIFICATIONS

External Dimensions:

- Length: 136mm (5.35")
- Width: 37mm (1.46")
- Depth: 30mm (1.18")

- Mounting Hole Shape:** 2 or 3 point mounting
- Spindle Length:** 20mm standard, 24mm by special order*
- Power:** 2 x AA Battery (Alkaline)
- Low Battery:** LED lights with battery condition indicator
- Material:** Zinc diecast
- Finish:** Powder coated
- Standard Cam Capability:** 1/4" to 1 1/2"
- Keys Included:** 2
- For Internal Use**



ORDERING INFORMATION

Order # for EC783 shown above is EC783B

Order #	Finish	SLAM Latch
EC783	(B) Black	3
	(S) Silver	
	Custom*	

*Contact LockeyUSA for minimum order quantities and lead times for custom orders.



FEATURES

- Public, Private & Remote Allocation System (RAS) mode
- Key override
- Up to 80,000 cycles per pair of AA batteries
- Batteries included
- Battery condition indicator
- Audible keypad (can be turned on/off)
- 8 digit master code
- 6 digit sub-master code
- 4 digit user codes
- 6 digit technician code
- Auto unlock mode (can be turned on/off)

OPTIONS

- Finishes:** Black (B), Silver (S), Custom*
- Keypad Direction:** Vertical (V), Right (R), Left (L)
- Remote Allocation System (RAS)

DIMENSIONS & SPECIFICATIONS

External Dimensions:

- Length: 143.5mm (5.65")
- Width: 41mm (1.61")
- Depth: 11.5mm (.45")

Internal Dimensions:

- Length: 142mm (5.6")
- Width: 42.6mm (1.68")
- Depth: 37.5mm (1.48")

Mounting Hole Shape: 3 point mounting (see technical drawing)

Spindle Length: 20mm standard, 24mm by special order*

Power: 2 x AA Battery (Alkaline)

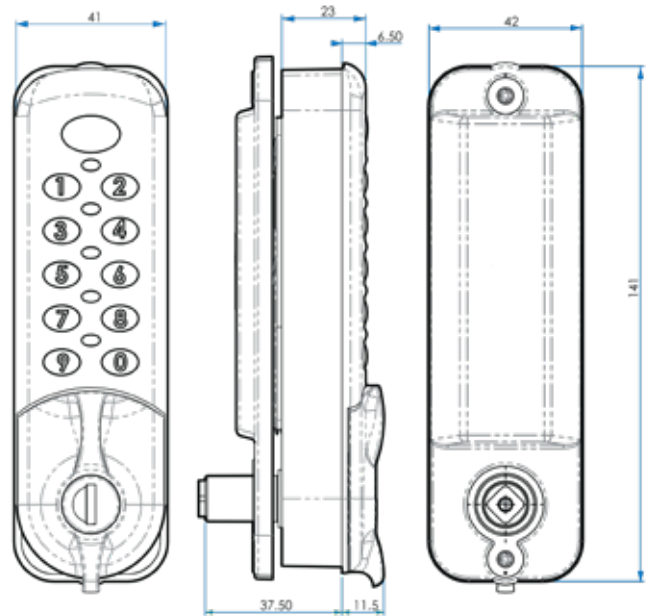
Low Battery: LED lights with battery condition indicator

Material: Zinc diecast

Finish: Powder coated

Keys Included: 2

For Internal Use



ORDERING INFORMATION

Order # for EC784 shown above is EC784BV

Order #	Finish	Keypad Direction	RAS
EC784	(B) Black	(V) Vertical	RAS
	(S) Silver	(R) Right	
	Custom*	(L) Left	

*Contact LockeyUSA for minimum order quantities and lead times for custom orders.



FEATURES

- RFID:** Can be paired with existing MIFARE/NFC 13.56MHz systems or used separately
- Flush fit
- Public or private user modes
- Key override
- Up to 80,000 cycles per pair of AA batteries
- Batteries included
- Battery condition indicator
- Audible actuation

PROGRAMMING OPTIONS

Change master card, add user card, delete all user cards, delete single user card (with & without user card), set private mode & public mode, set audio, auto unlock, set read speed mode.

ORDERING OPTIONS

Finishes: Silver (S), Black (B), Custom*

DIMENSIONS & SPECIFICATIONS

External Dimensions:

- Length: 143.5mm (5.65")
- Width: 41mm (1.61")
- Depth: 13.5mm (.53")

Internal Dimensions:

- Length: 141.6mm (5.57")
- Width: 42.6mm (1.68")
- Depth: 37.5mm (1.48")

Mounting Hole Shape: 3 point mounting

Spindle Length: 20mm standard, 24mm by special order*

Power: 2 x AA Battery (Alkaline)

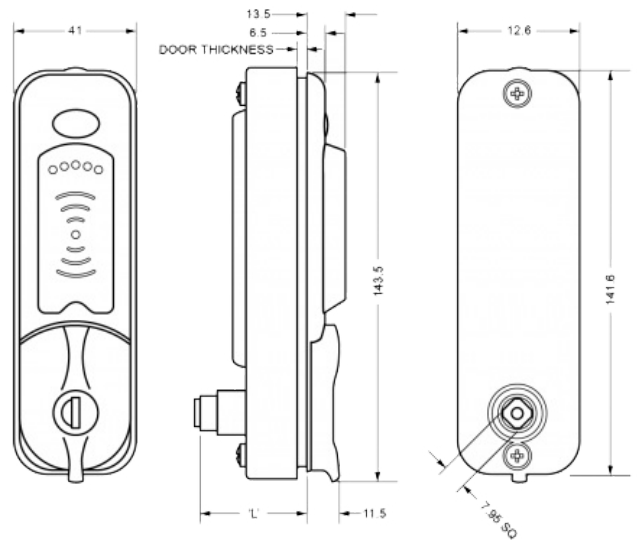
Low Battery: LED indicator lights with battery condition indicator

Material: Zinc diecast

Finish: Powder coated

Keys Included: 2

For Internal Use



ORDERING INFORMATION

Order # for EC785 shown above is EC785S

Order #	Finish
EC785	(B) Black
	(S) Silver
	Custom*

*Contact LockeyUSA for minimum order quantities and lead times for custom orders.



FEATURES

- Public, Private & Remote Allocation System (RAS) mode
- Fits most standard metal lockers "out of the box"
- Simple click together fit, with 2 nuts to secure
- Designed to work with locking bar lifter
- ADA compliant as standard
- Key override
- Up to 80,000 operations per pair of batteries (included)
- Battery condition indicator
- Audible key press (can be turned on/off)
- Re-lock indicator
- 4 digit user code (can be set by user)
- 8 digit master code
- 6 digit technician code

OPTIONS

- Finishes:** Silver (S), Black (B), Custom*
- Remote Allocation System (RAS)

DIMENSIONS & SPECIFICATIONS

External Dimensions:

- Length: 73.5mm (2.9")
- Width: 52mm (2.05")
- Depth: 28mm (1.1")

Internal Dimensions:

- Length: 67.5mm (2.66")
- Width: 93mm (3.66")
- Depth: 22.4mm (.88")

Power: 2 x AA Battery (Alkaline)

Operations: Up to 80,000 cycles per pair of AA batteries

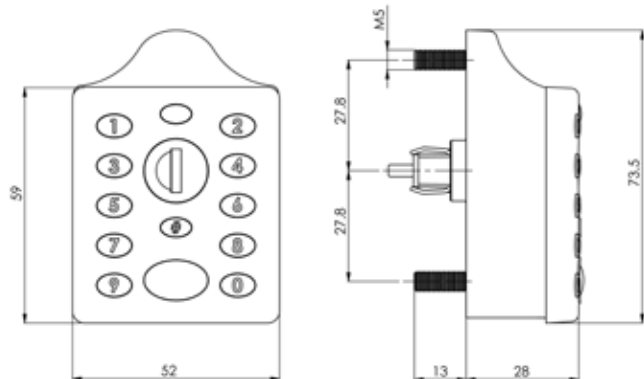
Low Battery: LED indicator lights with battery condition indicator

Material: Heavy duty zinc die-cast construction

Finish: Powder coated

Keys Included: 2

For Internal Use



ORDERING INFORMATION

Order # for EC790 shown above is EC790S

Order #	Finish	RAS
EC790	(B) Black	RAS
	(S) Silver	
	Custom*	

*Contact LockeyUSA for minimum order quantities and lead times for custom orders.

EC SERIES USER MODES: PUBLIC, PRIVATE, & RAS

Locks in the **Electronic Cabinet and Locker Lock Series** are available in three user modes: Public, Private, and Remote Allocation System mode (RAS).

PUBLIC MODE

User code is lost when opened.

Commonly used for locks on shared spaces such as in fitness locker rooms, shared work spaces, festivals and amusement parks.

TO SET IN PUBLIC MODE:
[LOGO] [MASTER CODE] [08]

TO LOCK:

1. Select the open locker, cabinet or drawer.
2. Place items inside and close the door.
3. Engage lock by turning handle.
4. Enter any four digit code.
5. Re-enter the same four digit code.
6. It is now locked.

TO UNLOCK:

1. Return to the lock.
2. Enter your four digit code on the keypad.
3. Turn handle to disengage.
4. The lock is now unlocked.

PRIVATE MODE

User code is retained when opened.

Commonly used for locks on cabinets, lockers, drawers and other applications in non-shared spaces. The lock is assigned to an individual user.

TO SET IN PRIVATE MODE:
[LOGO] [MASTER CODE] [09] [NEW USER CODE]

TO UNLOCK:

1. Enter assigned four digit code.
2. Turn handle to disengage.
3. Place items inside.

TO LOCK:

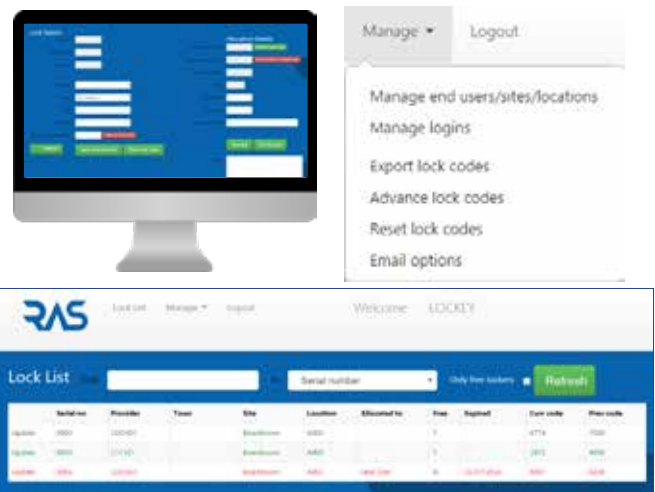
1. Close the door.
2. Return handle back to the locked position.

The lock **automatically** relocks after four seconds and engages when the handle is returned back to the locked position.

REMOTE ALLOCATION SYSTEM

User code is managed online.

The Remote Allocation System (RAS) is an online code management system available on all keypad locks in the Electronic Cabinet & Locker Series. With **RAS**, administrators can remotely manage all locks without ever having to go to the lock itself!



Through the online portal, administrators can view a detailed overview of all the locks they currently manage. The lock list provides information such as the serial number, location of the lock and who the lock is currently allocated to.

Change many or all lock codes at once!

1. Select locks to be updated.

2. Click "Manage."

3. Click "Advance lock codes."

The next user code is now available!

Administrators can manage a single lock by clicking "Update," which can be found on the far left side of the lock list. This will allow the administrator to see all details of the lock.

From the lock details page, administrators can manage, amend and update all aspects of the individual lock.

Administrators can advance the lock code, reallocate the lock to a different user, and edit all aspects of the lock details with the **Remote Allocation System**.



FEATURES

- Electronic cam lock
- Public and private user modes
- Can be flush fitted or surface mounted
- Emergency Key Override (7 Disc Barrel)
- LED Indicator Lights
- 10 Button Keypad:
 - 8-digit master code
 - 6-digit sub-master code
 - 4-digit user code
- Technician Mode
- Secured with 2 x M4 Pan Head Screws

OPTIONS

Finishes:
 Black (B)
 Silver (S)
 White (W)
 Custom*

Keypad Direction:
 Vertical (V)
 Right Handed Horizontal (R)
 Left Handed Horizontal (L)*

DIMENSIONS & SPECIFICATIONS

Dimensions:

Body Length: 94mm (3.7")
 Head Depth: 32mm (1 1/4")

Power: 1/2 AA Battery

Low Battery: LED indicator lights with battery condition indicator

Material: Zinc Alloy and ABS Construction

Finish: Powder coated

Keys Included: 2

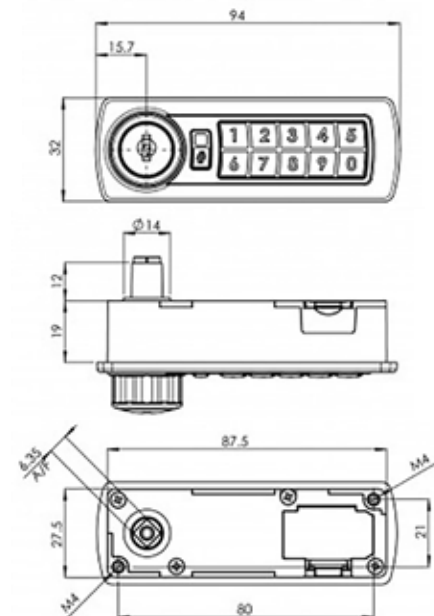
For Internal Use



Flush Fit Clamp Box



Surface Mount Sleeve



ORDERING INFORMATION

Finish	Vertical	Right
Black	GE370VB	GE370RB
Silver	GE370VS	GE370RS
White	GE370VW	GE370RW



*Contact LockeyUSA for minimum order quantities and lead times for custom orders.



FEATURES

- Electronic/mechanical combination deadbolt
- Manual drive deadbolt saves power
- Takes place of existing deadbolt
- Key override
- Backlit keypad
- Automatic lock-down on wrong user code entry
- Up to 20 user codes
- 4-10 digit user codes
- Low battery alarm
- Audible key press
- Reversible handing
- Clutch function to increase security protection

OPTIONS

Finishes:

- Antique Brass
- Bright Brass
- Oil Rubbed Bronze
- Satin Nickel

DIMENSIONS & SPECIFICATIONS

External Dimensions:

- Length: 4.05"
- Width: 2.67"
- Depth: 1.65"

Internal Dimensions:

- Length: 3.46"
- Width: 2.55"
- Depth: 1.22"

Power: 3 x AAA Battery (Alkaline)

Operations: 22,000 cycles

Low Battery: LED indicator lights with battery condition indicator

Material: Zinc alloy, rubber, silicon

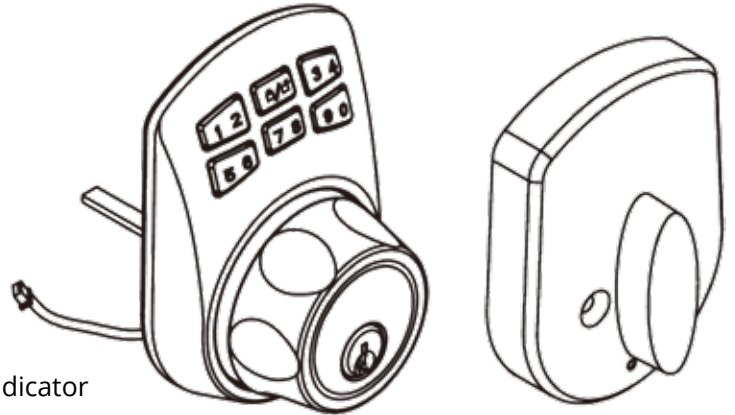
Keyway: Kwikset

Keys Included: 2

Finish: Powder coated

For Internal Use

One Year Electronic Warranty



ORDERING INFORMATION

Finish

- Antique Brass
- Bright Brass
- Oil Rubbed Bronze
- Satin Nickel

Order

- SL910AB
- SL910BB
- SL910OIL
- SL910SN





FEATURES

- Electronic deadbolt lock
- Battery powered (4-AA Alkaline)
- Up to six unique user codes
- Disposable (one-time use) code capable
- Customizable programming code
- Auto-locking function
- LED illumination
- Key override
- Visual and audible confirmations
- Remote compatible (up to 5 remotes, sold separately)



DIMENSIONS & SPECIFICATIONS

Exterior Dimensions:

- Length: 5 1/2"
- Width: 3 1/8"
- Depth: 1 3/16"

Interior Dimensions:

- Length: 7 1/4"
- Width: 2 3/4"
- Depth: 1 3/4"

Door Thickness: 1 3/8" to 2"

Material: Stainless steel

Deadbolt: Adjustable backset deadbolt

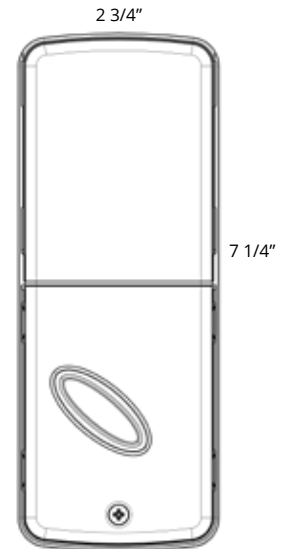
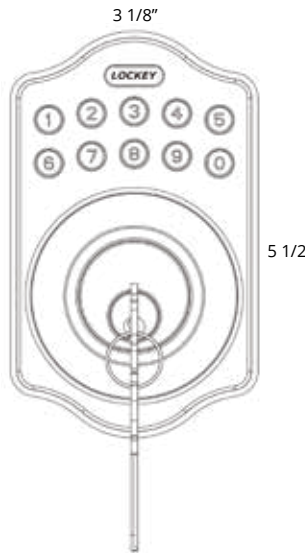
Cylinder: 5 pin Schlage keyway

Power: 4 AA Alkaline batteries

Keys Included: 2

Weather Resistant Exterior Lock Body

Inside Lock Body for Interior Use Only



ORDERING INFORMATION

Finish

- Antique Brass
- Bright Brass
- Satin Chrome
- Satin Nickel
- Antique Bronze

Order

- E910AB
- E910BB
- E910SC
- E910SN
- E910ABZ





FEATURES

- Electronic knob lock
- Adjustable latch backset
- Battery powered (4-AA Alkaline)
- Up to six unique user codes
- Disposable (one-time use) code capable
- Auto-locking function
- LED illumination
- Key override
- Visual and audible confirmations
- Remote compatible (up to 5 remotes, sold separately)

OPTIONS



DIMENSIONS & SPECIFICATIONS

Exterior Dimensions:

- Length: 5 1/2"
- Width: 3 1/8"
- Depth: 1 3/16"

Interior Dimensions:

- Length: 7 1/4"
- Width: 2 3/4"
- Depth: 1 3/4"

Door Thickness: 1 3/8" to 1 3/4"

Material: Stainless steel

Latch: Adjustable

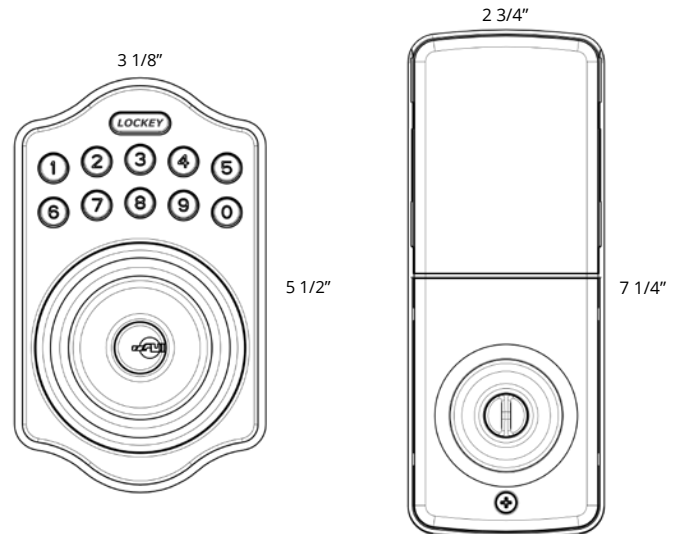
Cylinder: 5 pin Schlage keyway

Power: 4 AA Alkaline batteries

Keys Included: 2

Weather Resistant Exterior Lock Body

Inside Lock Body for Interior Use Only



ORDERING INFORMATION

Finish	Order #
Antique Brass	E930AB
Bright Brass	E930BB
Satin Chrome	E930SC
Satin Nickel	E930SN
Antique Bronze	E930ABZ





FEATURES

- Electronic lever lock
- Adjustable latch backset
- Battery powered (4 AA Alkaline)
- Up to six unique user codes
- Disposable (one-time use) code capable
- Auto-locking function
- LED illumination
- Key override
- Visual and audible confirmations
- Remote compatible (up to 5 remotes, sold separately)

OPTIONS



DIMENSIONS & SPECIFICATIONS

Exterior Dimensions:

Length: 5 1/2"

Width: 3 1/8"

Depth: 1 3/16"

Interior Dimensions:

Length: 7 1/4"

Width: 2 3/4"

Depth: 1 3/4"

Door Thickness: 1 3/8" to 1 3/4"

Material: Stainless steel

Latch: Adjustable

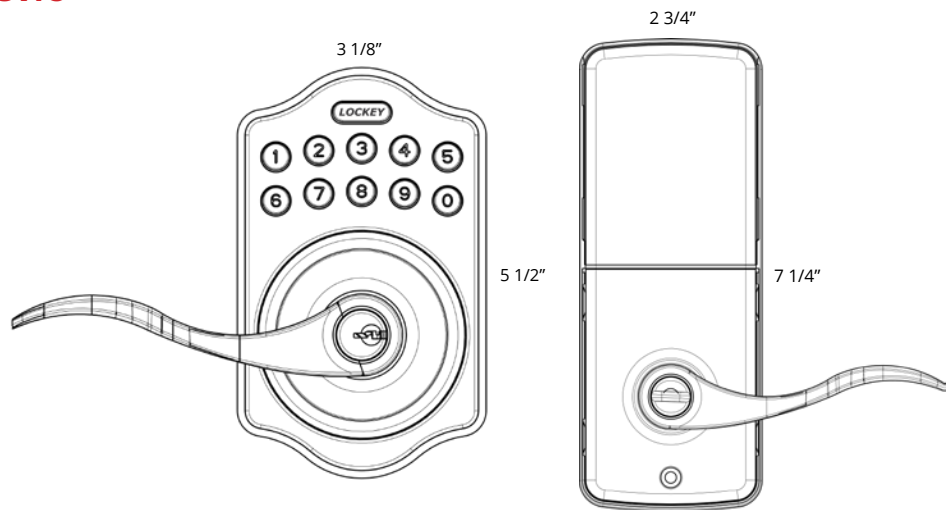
Cylinder: 5 pin Schlage keyway

Power: 4 AA Alkaline batteries

Keys Included: 2

Weather Resistant Exterior Lock Body

Inside Lock Body for Interior Use Only



ORDERING INFORMATION

Finish

Antique Brass

Bright Brass

Satin Chrome

Satin Nickel

Antique Bronze

Order

E985AB

E985BB

E985SC

E985SN

E985ABZ





FEATURES

- Mechanical, keyless, surface mount deadbolt
- Reversible long/short bar
- One user code
- Low profile
- Ideal for light-duty applications
- Compatible with:**
- C-25 Pull Handle (sold separately)
- C-25 Pull Handle not available in BB or MG



DIMENSIONS & SPECIFICATIONS

Exterior Dimensions:

- Length: 5"
- Width: 1 1/8"
- Depth: 1 3/4"

Interior Dimensions:

- Length: 5"
- Width: 1 1/8"
- Depth: 1 3/8"

Throw: 3/4"

Door Thickness: 1 1/8" to 2"

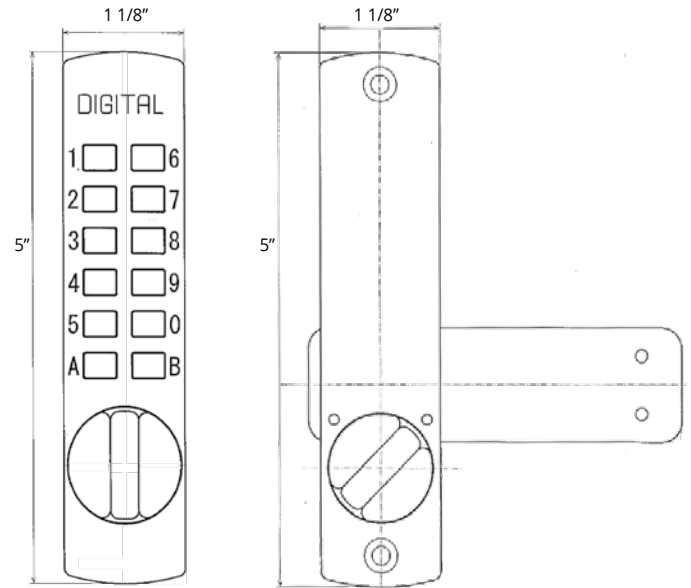
Fits doors 1/8" thick and up with Thin Door Kit

Fits doors up to 5" thick with Extension Kit

For Exterior & Interior Use

Weather Resistant

Lifetime Mechanical Warranty



ORDERING INFORMATION

Finish	Order #
Antique Brass	C120AB
Bright Brass	C120BB
Jet Black	C120JB
Marine Grade	C120MG
Oil Rubbed Bronze	C120OIL
Satin Chrome	C120SC
Satin Nickel	C120SN
White	C120WH





FEATURES

- Mechanical, keyless, hook bolt
- Surface mount lock
- One user code
- Low profile
- Ideal for sliding glass doors
- Compatible with:**
- C-25 Pull Handle (sold separately)
- C-25 Pull Handle not available in BB or MG



DIMENSIONS & SPECIFICATIONS

Exterior Dimensions:

- Length: 5"
- Width: 1 1/8"
- Depth: 1 3/4"

Interior Dimensions:

- Length: 5"
- Width: 1 1/8"
- Depth: 1 1/2"

Throw: 3/8"

Door Thickness: 1 1/8" to 2"

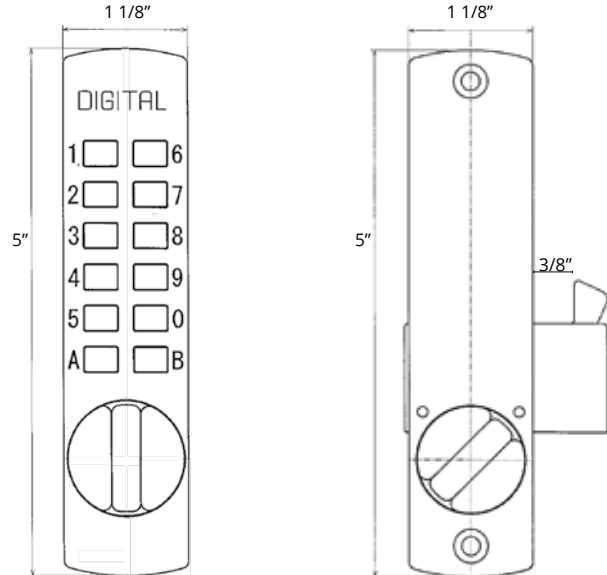
Fits doors 1/8" thick and up with Thin Door Kit

Fits doors up to 5" thick with Extension Kit

For Exterior & Interior Use

Weather Resistant

Lifetime Mechanical Warranty



ORDERING INFORMATION

Finish	Order #
Antique Brass	C150AB
Bright Brass	C150BB
Jet Black	C150JB
Marine Grade	C150MG
Oil Rubbed Bronze	C150OIL
Satin Chrome	C150SC
Satin Nickel	C150SN
White	C150WH





FEATURES

- Mechanical, keyless, push button lock
- Surface mount cam lock
- Ideal for cabinet doors
- One user code
- Low profile
- Compatible with:**
- C-25 Pull Handle (sold separately)
- C-25 Pull Handle not available in BB or MG



DIMENSIONS & SPECIFICATIONS

Exterior Dimensions:

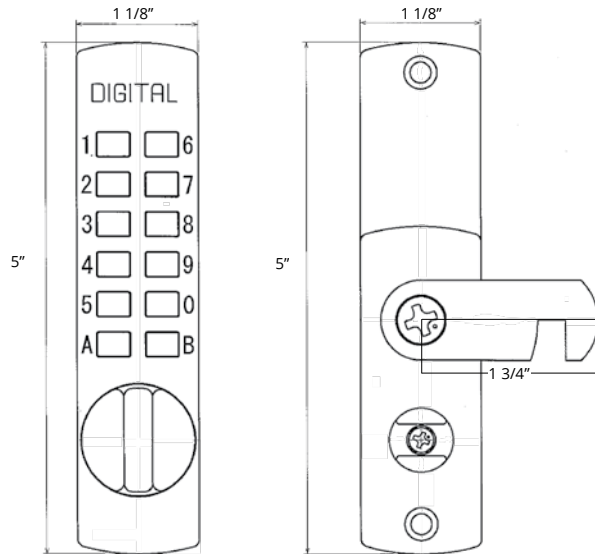
- Length: 5"
- Width: 1 1/8"
- Depth: 1 3/4"

Interior Dimensions:

- Length: 5"
- Width: 1 1/8"
- Depth: 1 1/4"

Door Thickness: 1 1/8" to 2"

- Fits doors 1/8" thick and up with Thin Door Kit
- Fits doors up to 5" thick with Extension Kit
- For Exterior & Interior Use
- Weather Resistant
- Lifetime Mechanical Warranty



ORDERING INFORMATION

Finish

- Antique Brass
- Bright Brass
- Jet Black
- Oil Rubbed Bronze
- Satin Chrome
- Satin Nickel
- White

Order

- C170AB
- C170BB
- C170JB
- C170OB
- C170SC
- C170SN
- C170WH





FEATURES

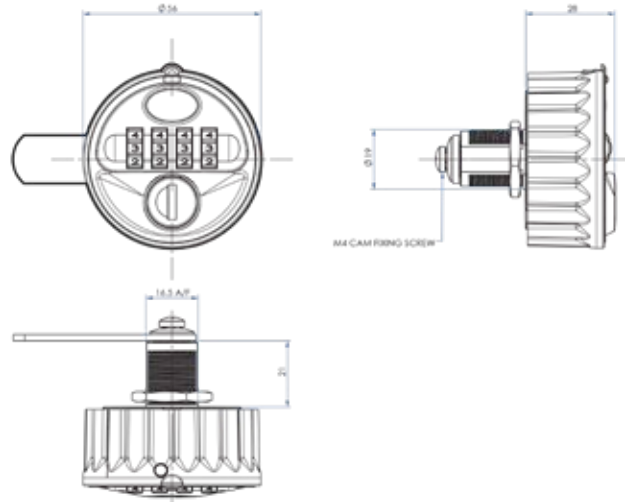
- Mechanical cam lock
- 4 Wheel Combination
- 10,000 possible combinations
- Key override
- Code Finding Feature
 - 10 Disc barrel with shutter cap
 - Allows emergency access if code is lost
- Code Changing Function
 - Accessible in unlocked position
- Easy Installation

OPTIONS

- Finishes:**
- Black (B)
 - Silver (S)
 - Custom*

DIMENSIONS & SPECIFICATIONS

- Dimensions:** 56mm x 28mm
- Nut fixing:** 3/4" - 27 UN x 21mm long (16.5mm A/F)
- Cam fixing:** 8mm Sq. with M4 thread
- Material:** Zinc die-cast construction
- Finish:** Powder coated
- Keys Included:** 2



ORDERING INFORMATION

Finish	Order #
Black	MC728B
Silver	MC728S



*Contact LockeyUSA for minimum order quantities and lead times for custom orders.

FEATURES

- Mechanical cam lock
- 4 Wheel Combination Lock
- 10,000 possible combinations
- Can be flush fitted or surface mounted
- Emergency Key Override (7 Disc Barrel)
- Code Finding Feature (7 Disc Barrel)
- Code Change Function
- Code Finding Feature
 - 7 Disc Barrel
 - Allows emergency access if code is lost
- Secured with 2 x M4 Pan Head Screws

OPTIONS

- Finishes:**
- Black (B)
 - Silver (S)
 - White (W)
 - Custom*

- Keypad Direction:**
- Vertical (V)
 - Right Handed Horizontal (R)
 - Left Handed Horizontal (L)*



DIMENSIONS & SPECIFICATIONS

Dimensions:

- Body Length: 94mm (3.7")
- Head Depth: 32mm (1 1/4")

Material: Zinc Alloy and ABS Construction

Finish: Powder coated

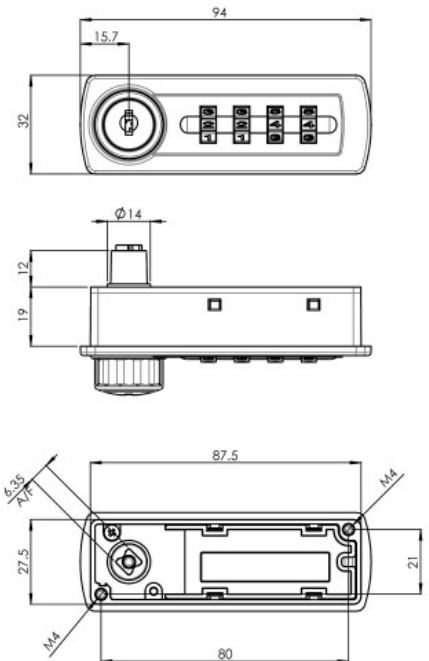
Keys Included: 2
For Internal Use



Flush Fit Clamp Box



Surface Mount Sleeve



ORDERING INFORMATION

Finish	Vertical	Right
Black	GM270VB	GM270RB
Silver	GM270VS	GM270RS
White	GM270VW	GM270RW



*Contact LockeyUSA for minimum order quantities and lead times for custom orders.



FEATURES

- Mechanical, keyless deadbolt lock
- Installs in minutes with EZ plates
- One user code
- Thumbturn on interior and exterior
- Changeable handing
- Adjustable deadbolt backset
- Covers standard 2 1/8" hole

OPTIONS

Single Combination, Double Combination (DC)



Single Combination

Double Combination

DIMENSIONS & SPECIFICATIONS

Dimensions:

- Length: 4 7/8"
- Width: 1 1/2"
- Depth: 1 3/4"

Total Coverage with Trim Plates: 5 5/8" L x 2 1/2" W

Backset: Adjustable

Door Thickness: 1 3/16" to 2", up to 5" with Extension Kit

Door Prep Edge Bore: 1"

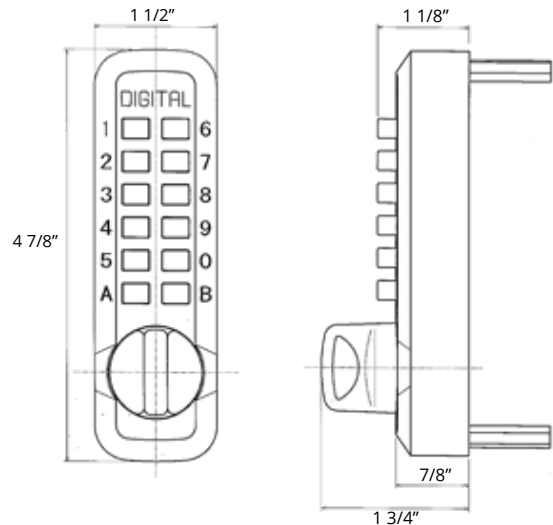
Material: Zinc-plated steel

Teflon coated stainless steel interior components

For Exterior & Interior Use

Weather Resistant

Lifetime Mechanical Warranty



ORDERING INFORMATION

Finish	Single Combination	Double Combination
Antique Brass	M210AB	M210ABDC
Bright Brass	M210BB	M210BBDC
Bright Chrome	M210BC	M210BCDC
Jet Black	M210JB	M210JBDC
Marine Grade	M210MG	M210MGDC
Oil Rubbed Bronze	M210OB	M210OBDC
Satin Chrome	M210SC	M210SCDC
Satin Nickel	M210SN	M210SNDC
White	M210WH	M210WHDC





FEATURES

- Mechanical, keyless deadbolt
- Surface/Rim mount
- One user code
- Thumb turn on exterior and interior
- Changeable handing
- Reversible long/short bar
- Ideal for narrow stile doors & cabinets
- Deadbolt throws 3/4"
- Works on most hinged doors

OPTIONS

- Finishes:**
- Antique Brass
 - Bright Brass
 - Jet Black
 - Marine Grade
 - Satin Chrome
 - Satin Nickel
 - White

DIMENSIONS & SPECIFICATIONS

Dimensions:

- Length: 4 7/8"
- Width: 1 1/2"
- Depth: 1 3/4"

Long Throw Bar: 2 1/4"

Short Throw Bar: 7/8"

Door Thickness: 1 1/8" to 2"

Fits doors 1/8" thick and up with Thin Door Kit

Fits doors up to 5" thick with Extension Kit

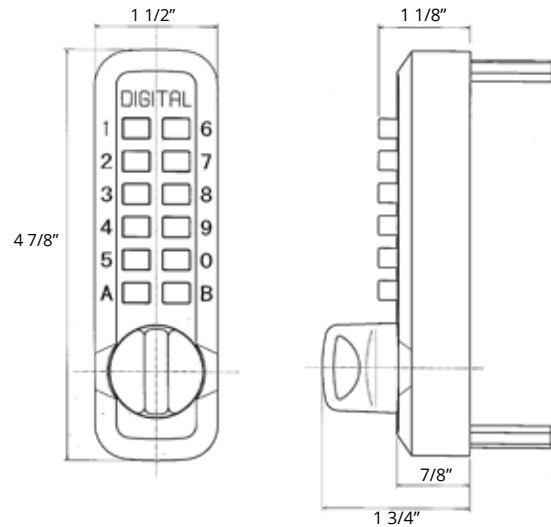
Material: Zinc-plated steel

Teflon coated stainless steel interior components

For Exterior & Interior Use

Weather Resistant

Lifetime Mechanical Warranty



ORDERING INFORMATION

Finish	Order #
Antique Brass	M220AB
Bright Brass	M220BB
Jet Black	M220JB
Marine Grade	M220MG
Satin Chrome	M220SC
Satin Nickel	M220SN
White	M220WH





FEATURES

- Mechanical, keyless deadlocking spring latch lock
- Automatically locks when door is closed
- One user code
- Knob on exterior, thumbturn on interior
- Changeable handing
- Adjustable backset latch
- Covers standard 2 1/8" hole

OPTIONS

Single Combination, Double Combination (DC)



Single Combination



Double Combination

DIMENSIONS & SPECIFICATIONS

Dimensions:

- Length: 4 7/8"
- Width: 1 1/2"
- Depth: 1 7/8"

Total Coverage with Trim Plates: 5 5/8" x 2 1/2"

Door Thickness: 1 3/8" to 2"

Door Prep Edge Bore: 1"

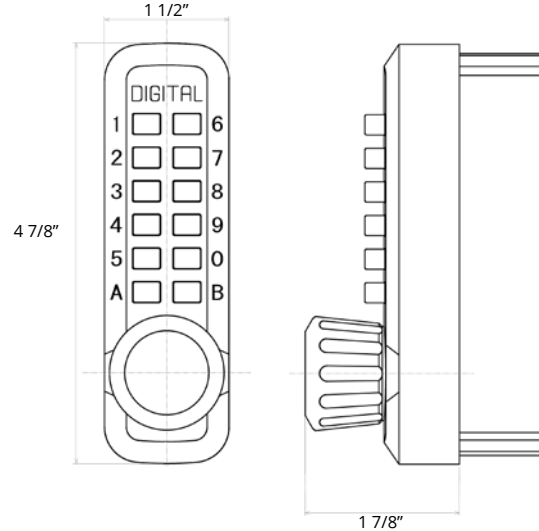
Material: Zinc-plated steel

Teflon coated stainless steel interior components

For Exterior & Interior Use

Weather Resistant

Lifetime Mechanical Warranty



ORDERING INFORMATION

Finish	Single Combination	Double Combination
Antique Brass	M230AB	M230ABDC
Bright Brass	M230BB	M230BBDC
Bright Chrome	M230BC	M230BCDC
Jet Black	M230JB	M230JBDC
Marine Grade	M230MG	M230MGDC
Oil Rubbed Bronze	M230OB	M230OBDC
Satin Chrome	M230SC	M230SCDC
Satin Nickel	M230SN	M230SNDC
White	M230WH	M230WHDC





FEATURES

- Mechanical, keyless, push button lock
- Option of lever handle or knob
- Heavy-duty handles
- Passage function
- Changeable handing
- Adjustable backset latch
- Magnet-proof

OPTIONS



Lever Knob Lever Knob
Single Combination Single Combination Double Combination Double Combination

DIMENSIONS & SPECIFICATIONS

Dimensions with lever:

- Length: 7 5/16"
- Width: 2 3/16"
- Depth: 2 3/8"

Lever Size: 5" W x 5/8" H

Dimensions with knob:

- Length: 7 5/16"
- Width: 2 3/16"
- Depth: 2 13/16"

Backset: Adjustable

Material: Zinc-plated steel

Teflon coated stainless steel interior components

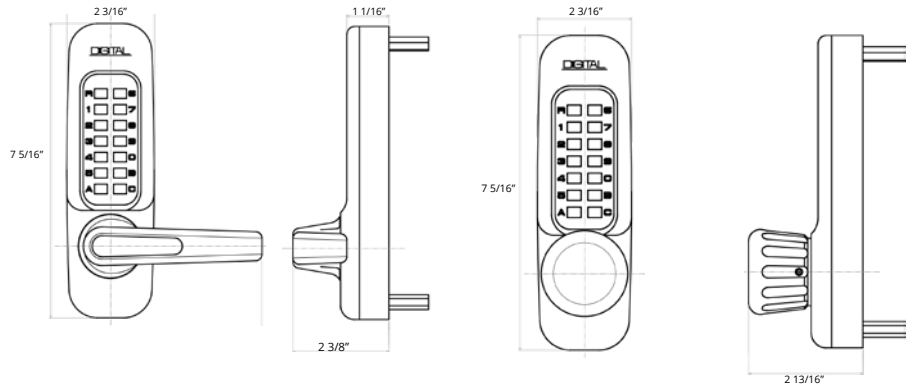
Door Thickness: 1 1/8" to 2"

Up to 5" thick door with an Extension Kit (sold separately)

For Exterior & Interior Use

Weather Resistant

Lifetime Mechanical Warranty



ORDERING INFORMATION

Finish	Lever	Knob	Lever Double Combination	Knob Double Combination
Jet Black	1150JB	1600JB	1150JBDC	1600JBDC
Marine Grade	1150MG	1600MG	1150MGDC	1600MGDC
Oil Rubbed Bronze	1150OB	1600OB	1150OBDC	1600OBDC



FEATURES

- Mechanical, keyless surface/rim mount deadbolt
- One user code
- Knob on exterior, thumb turn on interior
- Changeable handing
- Long and short bar included
- Ideal for narrow stile doors & cabinets
- Deadbolt throws 3/4"

OPTIONS

Key Override



Single Combination



Key Override

DIMENSIONS & SPECIFICATIONS

Dimensions:

- Length: 5 5/8"
- Width: 1 5/8"
- Depth: 1 5/8"

Total Coverage with Trim Plates: 6" L x 2 1/2" W

Door Thickness: 1 1/8" to 2"

Fits doors 1/8" thick and up with Thin Door Kit

Fits doors up to 5" thick with Extension Kit

Long Throw Bar: 2 1/4"

Short Throw Bar: 7/8"

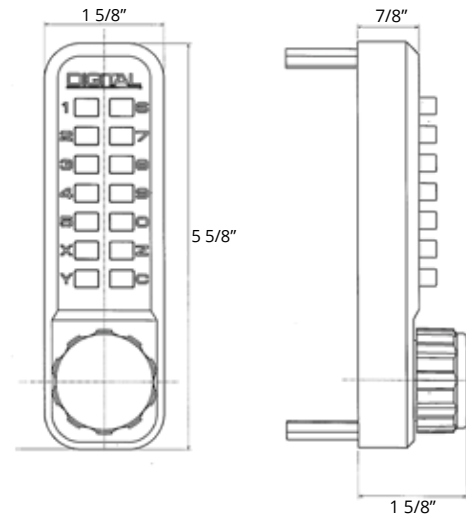
Material: Zinc-plated steel

Teflon coated stainless steel interior components

For Exterior & Interior Use

Weather Resistant

Lifetime Mechanical Warranty



ORDERING INFORMATION

Finish	Single Combination	Key Override
Antique Brass	2200AB	2200ABKO
Bright Brass	2200BB	2200BBKO
Jet Black	2200JB	2200JBKO
Satin Chrome	2200SC	2200SCKO
Satin Nickel	2200SN	2200SNKO
White	2200WH	2200WHKO





FEATURES

- Mechanical, keyless deadbolt lock
- One user code
- Knob on exterior, thumb turn on interior
- Changeable handing
- Adjustable deadbolt backset
- Covers standard 2 1/8" hole

OPTIONS

- Single Combination, Double Combination (DC)
- Key Override



Single Combination



Double Combination



Key Override

DIMENSIONS & SPECIFICATIONS

Dimensions:

- Length: 5 5/8"
- Width: 1 5/8"
- Depth: 1 5/8"

Total Coverage with Trim Plates: 6 1/2" L x 2 1/2" W

Backset: Adjustable

Door Thickness: 1 3/16" to 2", up to 5" with Extension Kit

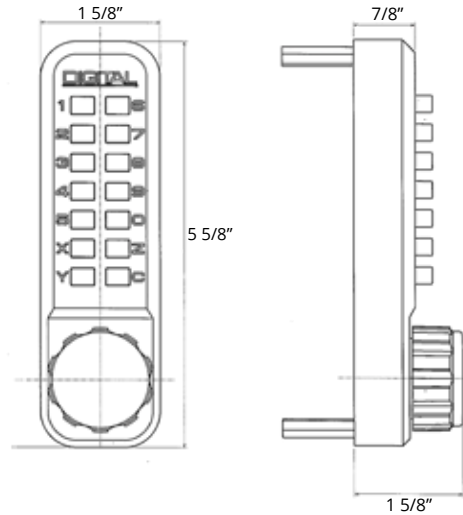
Material: Zinc-plated steel

Teflon coated stainless steel interior components

For Exterior & Interior Use

Weather Resistant

Lifetime Mechanical Warranty



ORDERING INFORMATION

Finish	Single Combination	Double Combination	Key Override	Double Combination, Key Override
Antique Brass	2210AB	2210ABDC	2210ABKO	2210ABDCKO
Bright Brass	2210BB	2210BBDC	2210BBKO	2210BBDCKO
Bright Chrome	2210BC	2210BCDC	2210BCKO	2210BCDCKO
Jet Black	2210JB	2210JBDC	2210JBKO	2210JBDCKO
Marine Grade	2210MG	2210MGDC	2210MGKO	2210MGDCKO
Oil Rubbed Bronze	2210OB	2210OBDC	2210OBKO	2210OBDCKO
Satin Chrome	2210SC	2210SCDC	2210SCKO	2210SCDCKO
Satin Nickel	2210SN	2210SNDC	2210SNKO	2210SNDCKO
White	2210WH	2210WHDC	2210WHKO	2210WHDCKO



FEATURES

- Mechanical, keyless hook bolt lock
- One user code
- Knob on exterior, thumb turn on interior
- Changeable handing
- Ideal for sliding doors and gates
- 3/8" throw
- Oversized knob available

OPTIONS

Key Override



Single Combination



Key Override

DIMENSIONS & SPECIFICATIONS

Dimensions:

- Length: 5 5/8"
- Width: 1 5/8"
- Depth: 1 5/8"

Throw: 3/8"

Total Coverage with Trim Plates: 6 1/2" L x 2 1/2" W

Door Thickness: 1 1/8" to 2"

Fits doors 1/8" thick and up with Thin Door Kit

Fits doors up to 5" thick with Extension Kit

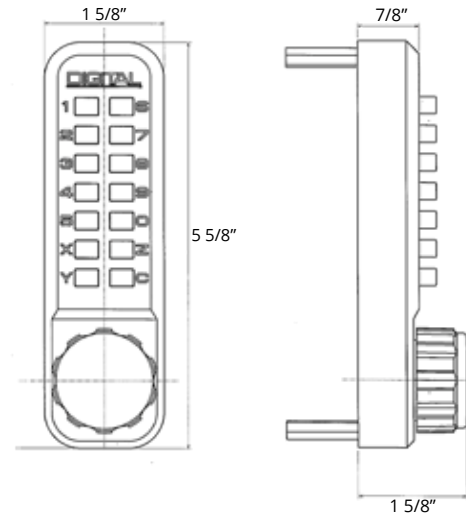
Material: Zinc-plated steel

Teflon coated stainless steel interior components

For Exterior & Interior Use

Weather Resistant

Lifetime Mechanical Warranty



ORDERING INFORMATION

Finish

Single Combination

Key Override

Antique Brass	2500AB	2500ABKO
Bright Brass	2500BB	2500BBKO
Jet Black	2500JB	2500JBKO
Satin Chrome	2500SC	2500SCKO
Satin Nickel	2500SN	2500SNKO
White	2500WH	2500WHKO





FEATURES

- Mechanical, keyless lock with one user code
- Replaces 2230
- Knob on exterior and interior
- Auto-locking with passage function
- Reversible handing
- Adjustable latch
- Covers standard 2 1/8" hole

OPTIONS

Single Combination, Double Combination



Single Combination



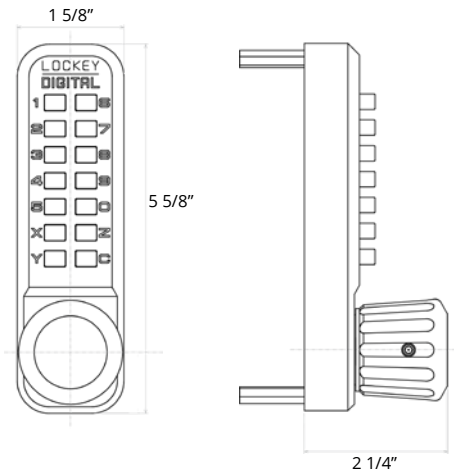
Double Combination

DIMENSIONS & SPECIFICATIONS

Dimensions:

- Length: 5 5/8"
- Width: 1 5/8"
- Depth: 2 1/4"

- Total Coverage with Trim Plates: 6 1/2" L x 2 1/2" W
- Backset: Adjustable
- Door Thickness: 1 3/16" to 2", up to 5" with Extension Kit
- Material: Zinc-plated steel
- Teflon coated stainless steel interior components
- For Exterior & Interior Use
- Weather Resistant
- Lifetime Mechanical Warranty



ORDERING INFORMATION

Finish	Single Combination	Double Combination
Antique Brass	2830AB	2830ABDC
Bright Brass	2830BB	2830BBDC
Bright Chrome	2830BC	2830BCDC
Jet Black	2830JB	2830JBDC
Marine Grade	2830MG	2830MGDC
Oil Rubbed Bronze	2830OB	2830OBDC
Satin Chrome	2830SC	2830SCDC
Satin Nickel	2830SN	2830SNDC
White	2830WH	2830WHDC





FEATURES

- Mechanical, keyless lever lock with one user code
- Lever handle on exterior and interior
- Auto-locking with passage function
- Reversible handing
- ADA Compliant
- Adjustable latch
- Covers standard 2 1/8" hole

OPTIONS

Single Combination, Double Combination



Single Combination



Double Combination

DIMENSIONS & SPECIFICATIONS

Dimensions:

- Length: 5 5/8"
- Width: 1 5/8"
- Depth: 2 1/4"

Total Coverage with Trim Plates: 6 1/2" L x 2 1/2" W

ADA Lever Size: 4" W x 1" H

Backset: Adjustable

Door Thickness: 1 3/16" to 2", up to 5" with Extension Kit

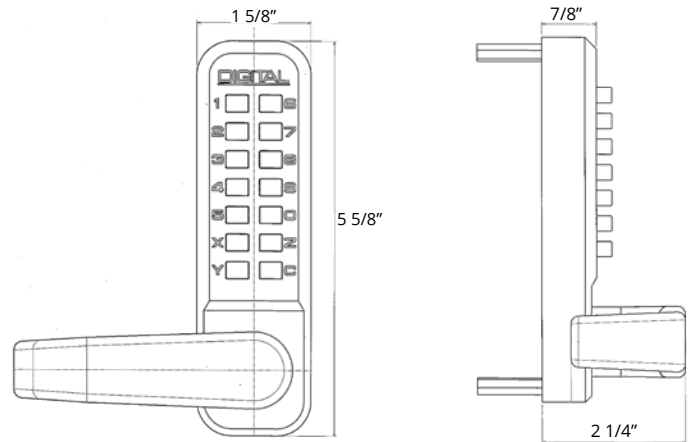
Material: Zinc-plated steel

Teflon coated stainless steel interior components

For Exterior & Interior Use

Weather Resistant

Lifetime Mechanical Warranty



ORDERING INFORMATION

Finish

Single Combination Double Combination

Antique Brass	2835AB	2835ABDC
Bright Brass	2835BB	2835BBDC
Bright Chrome	2835BC	2835BCDC
Jet Black	2835JB	2835JBDC
Marine Grade	2835MG	2835MGDC
Oil Rubbed Bronze	2835OB	2835OBDC
Satin Chrome	2835SC	2835SCDC
Satin Nickel	2835SN	2835SNDC
White	2835WH	2835WHDC



FEATURES

- Add-on key override system (KOS)
- Compatible with 2000 and 2900 series locks
- Schlage keyway
- Available keyed alike or keyed different
- Three keys included
- KOS and lock sold separately (KOS shown below)

COMPATIBLE WITH

2000 SERIES:	2900 SERIES:
2200	2900
2210	2900DC
2210DC	2930
2500	2930DC
2830	2950
2830DC	2950DC
2835	2985
2835DC	2985DC



DIMENSIONS & SPECIFICATIONS

KOS Dimensions:

- Length: 8 1/16"
- Width: 2 1/2"
- Depth: 2"

Dimensions with 2835 & KOS 2835 Installed:

- Length: 8 1/16"
- Width: 2 1/2"
- Depth: 2 3/4"

Door Thickness: 1 1/8" to 2", up to 5" with Extension Kit

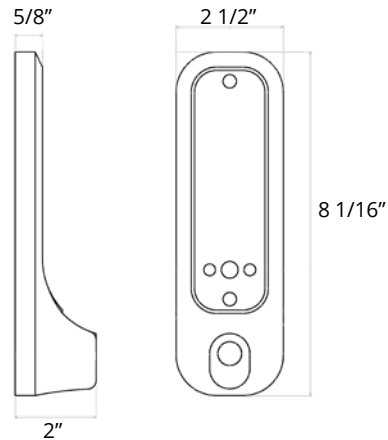
Material: Aluminum

Reversible Handing

For Exterior & Interior Use

Weather Resistant

Lifetime Mechanical Warranty



ORDERING INFORMATION

Finish	2835/2985 KOS	KOS
Antique Brass	KOS2835AB	KOS-AB
Jet Black	KOS2835JB	KOS-JB
Marine Grade	KOS2835MG	KOS-MG
Oil Rubbed Bronze	KOS2835OB	KOS-OB
Satin Chrome	KOS2835SC	KOS-SC
Satin Nickel	KOS2835SN	KOS-SN
White	KOS2835WH	KOS-WH





FEATURES

- Mechanical, keyless, narrow stile deadbolt lock
- Replaces Adams-Rite style lock
- One user code
- Knob on exterior, thumb turn on interior
- Changeable handing
- 1 1/8" backset
- Ideal for gates and aluminum storefront doors

OPTIONS

Single Combination, Double Combination



Single Combination

Double Combination

DIMENSIONS & SPECIFICATIONS

Dimensions:

- Length: 5 5/8"
- Width: 1 5/8"
- Depth: 1 5/8"

Total Coverage with Trim Plates: 6" L x 2" W

Door Thickness: 1 1/8" to 2", up to 5" with Extension Kit

Material: Zinc-plated steel

Teflon coated stainless steel interior components

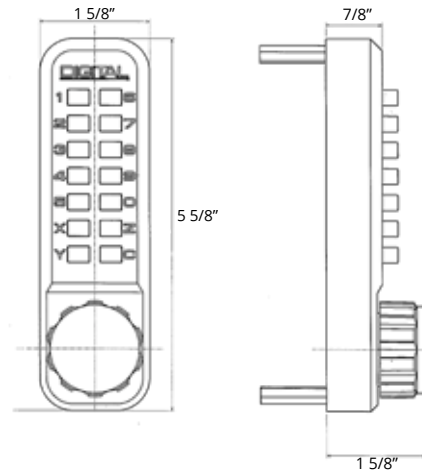
Five-ply laminated steel bolt

Concealed hardened steel pin for maximum security

For Exterior & Interior Use

Weather Resistant

Lifetime Mechanical Warranty



ORDERING INFORMATION

Finish	Single Combination	Double Combination
Antique Brass	2900AB	2900ABDC
Bright Brass	2900BB	2900BBDC
Bright Chrome	2900BC	2900BCDC
Jet Black	2900JB	2900JBDC
Marine Grade	2900MG	2900MGDC
Oil Rubbed Bronze	2900OIL	2900OILDC
Satin Chrome	2900SC	2900SCDC
Satin Nickel	2900SN	2900SNDC
White	2900WH	2900WHDC





FEATURES

- Mechanical, keyless, narrow stile lock
- Replaces Adams-Rite style lock
- Locks automatically, now with passage function
- One user code
- Knob on exterior, thumb turn on interior
- Changeable handing
- Ideal for aluminum storefront doors

OPTIONS

Single Combination, Double Combination



Single Combination

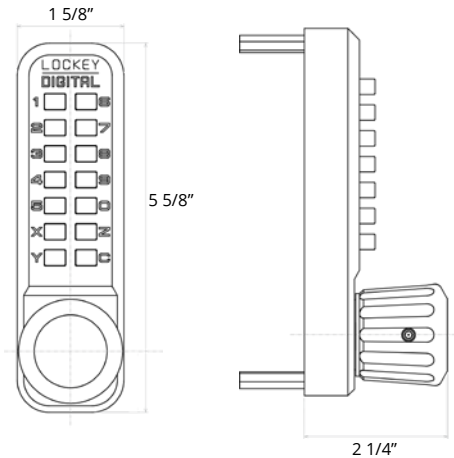
Double Combination

DIMENSIONS & SPECIFICATIONS

Dimensions:

- Length: 5 5/8"
- Width: 1 5/8"
- Depth: 1 5/8"

- Total Coverage with Trim Plates: 6" L x 2" W
- Door Thickness: 1 1/8" to 2", up to 5" with Extension Kit
- Backset: 1 1/8"
- Material: Zinc-plated steel
- Teflon coated stainless steel interior components
- For Exterior & Interior Use
- Weather Resistant
- Lifetime Mechanical Warranty



ORDERING INFORMATION

Finish	Single Combination	Double Combination
Antique Brass	2930AB	2930ABDC
Bright Brass	2930BB	2930BBDC
Bright Chrome	2930BC	2930BCDC
Jet Black	2930JB	2930JBDC
Marine Grade	2930MG	2930MGDC
Oil Rubbed Bronze	2930OIL	2930OBDC
Satin Chrome	2930SC	2930SCDC
Satin Nickel	2930SN	2930SNDC
White	2930WH	2930WHDC





FEATURES

- Mechanical, keyless, narrow stile hook bolt lock
- Replaces Adams-Rite style lock
- One user code
- Knob on exterior, thumb turn on interior
- Changeable handing
- 1 1/8" backset
- Ideal for sliding gates & aluminum storefront doors

OPTIONS

Single Combination, Double Combination



Single Combination

Double Combination

DIMENSIONS & SPECIFICATIONS

Dimensions:

- Length: 5 5/8"
- Width: 1 5/8"
- Depth: 1 5/8"

Throw Size: 1 1/2"

Total Coverage with Trim Plates: 6" L x 2" W

Door Thickness: 1 1/8" to 2", up to 5" with Extension Kit

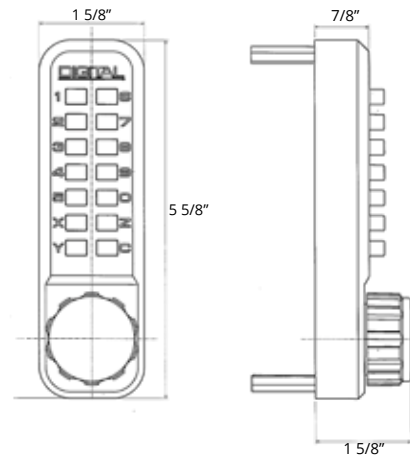
Five-ply laminated steel bolt

Concealed hardened steel pin for maximum security

For Exterior & Interior Use

Weather Resistant

Lifetime Mechanical Warranty



ORDERING INFORMATION

Finish	Single Combination	Double Combination
Antique Brass	2950AB	2950ABDC
Bright Brass	2950BB	2950BBDC
Bright Chrome	2950BC	2950BCDC
Jet Black	2950JB	2950JBDC
Marine Grade	2950MG	2950MGDC
Oil Rubbed Bronze	2950OIL	2950OILDC
Satin Chrome	2950SC	2950SCDC
Satin Nickel	2950SN	2950SNDC
White	2950WH	2950WHDC





FEATURES

- Mechanical, keyless, narrow stile lever handle lock
- Locks automatically (with passage function)
- Replaces Adams-Rite style lock
- One user code
- Lever on exterior and interior
- Changeable handing
- 1 1/8" backset
- Ideal for aluminum storefront doors

OPTIONS

Single Combination, Double Combination



Single Combination

Double Combination

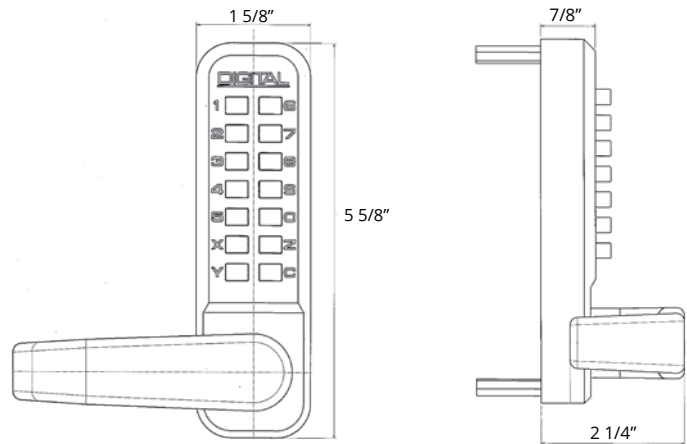
DIMENSIONS & SPECIFICATIONS

Dimensions:

- Length: 5 5/8"
- Width: 1 5/8"
- Depth: 2 1/4"

Total Coverage with Trim Plates: 6 1/2" L x 2 1/2" W
Door Thickness: 1 1/8" to 2", up to 5" with Extension Kit
Backset: 1 1/8"

Material: Zinc-plated steel
 Teflon coated stainless steel interior components
For Exterior & Interior Use
Weather Resistant
Lifetime Mechanical Warranty



ORDERING INFORMATION

Finish	Single Combination	Double Combination
Antique Brass	2985AB	2985ABDC
Bright Brass	2985BB	2985BBDC
Bright Chrome	2985BC	2985BCDC
Jet Black	2985JB	2985JBDC
Marine Grade	2985MG	2985MGDC
Oil Rubbed Bronze	2985OIL	2985OILDC
Satin Chrome	2985SC	2985SCDC
Satin Nickel	2985SN	2985SNDC
White	2985WH	2985WHDC





FEATURES

- Mechanical, keyless deadbolt lock
- One user code
- Oversized knob on exterior and interior
- Reversible handing
- Adjustable backset deadbolt
- Covers standard 2 1/8" hole
- Marine Grade Finish

OPTIONS

Single Combination, Double Combination



Single Combination



Double Combination

DIMENSIONS & SPECIFICATIONS

Dimensions:

- Length: 6 1/4"
- Width: 1 3/4"
- Depth: 2"

Total Coverage with Trim Plates: 6 3/4" L x 2 1/4" W x 2 1/8" D

Door Thickness: 1 1/8" to 2", up to 5" with Extension Kit

Material: Zinc-plated steel

Teflon coated stainless steel interior components

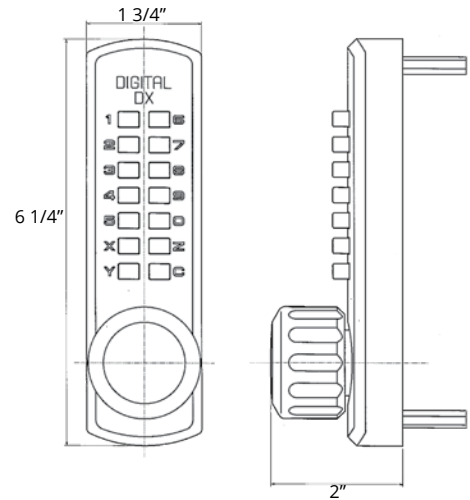
Teflon coated with Marine Grade Finish

For Exterior & Interior Use

Weather Resistant

Lifetime Mechanical Warranty

The 3210 is only available in Marine Grade finish. The finish closely resembles the color of a Satin Chrome (26D) finish lock. We recommend the Marine Grade Finish for saltwater environments where the lock will sustain consistent exposure to the elements. It has a much longer lifetime than a standard finish and provides added strength against the corrosive elements of coastal/saltwater environments.



ORDERING INFORMATION

Finish	Single Combination	Double Combination
Marine Grade	3210	3210DC





FEATURES

- Mechanical, keyless deadlocking spring latch
- One user code
- Oversized knob on exterior and interior
- Reversible handing
- Adjustable backset
- Covers standard 2 1/8" hole
- Marine Grade Finish

OPTIONS

Single Combination, Double Combination



Single Combination



Double Combination

DIMENSIONS & SPECIFICATIONS

Dimensions:

- Length: 6 1/4"
- Width: 1 3/4"
- Depth: 2"

Total Coverage with Trim Plates: 6 3/4" L x 2 1/4" W x 2 1/8" D

Door Thickness: 1 1/8" to 2", up to 5" with Extension Kit

Material: Zinc-plated steel

Teflon coated stainless steel interior components

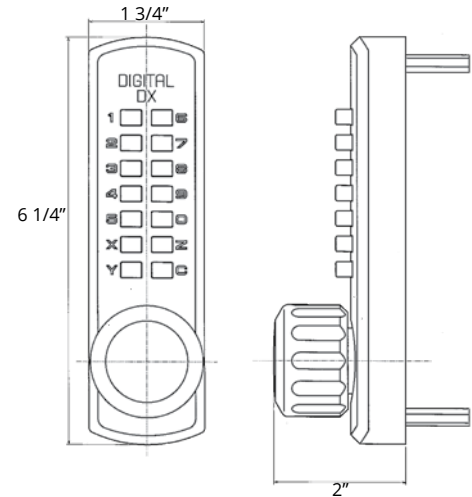
Teflon coated with Marine Grade Finish

For Exterior & Interior Use

Weather Resistant

Lifetime Mechanical Warranty

The 3230 is only available in Marine Grade finish. The finish closely resembles the color of a Satin Chrome (26D) finish lock. We recommend the Marine Grade Finish for saltwater environments where the lock will sustain consistent exposure to the elements. It has a much longer lifetime than a standard finish and provides added strength against the corrosive elements of coastal/saltwater environments.



ORDERING INFORMATION

Finish	Single Combination	Double Combination
Marine Grade	3230	3230DC





COMBO-CORK BOTTLE LOCK

The Lockey USA Combo Cork Bottle Lock is the perfect solution to securing fine wines and liquors. Simply set the combination, twist the top and rest assured that your bottles are secured.

Ideal for childproofing wine & liquor bottles
Fits most wine & liquor bottles
Easy to change combination

Order Number:
BOT-LOC



KEYLESS KEY SAFE BOX

Secure solution to control access to keys
Suitable for both indoor and outdoor use
Easy to change combination

Dimensions:

Box Size: 2" W x 5 1/2" H x 2 1/2" D

Box Inside: 1 9/16" W x 5" H x 5/8" D

Finish

Jet Black
Marine Grade
Satin Nickel
White

Order Number:

KEYBOXJB
KEYBOXMG
KEYBOXSN
KEYBOXWH



MS-40 COMBINATION SLIDE BOLT

The MS-40 Combination Slide Bolt is ideal for equipping a variety of applications with keyless access.

Recommended uses include:

Gates
Sheds
Cabinets

Dimensions:

Slide Bolt Dimensions: 3 1/2" W x 1 15/16" H

Receiver Dimensions: 7/8" W x 1 15/16" H

Order Number:
MS-40

GB200M

Steel or Aluminum

Compatible Locks:

M210
M230

Order Numbers:

Steel: GB200M
Aluminum: GB200MAL



GB210

Steel or Aluminum

Compatible Locks:

M210-- designed for use with a knob or lever

Order Numbers:

Steel: GB210
Aluminum: GB210AL



GB900

Steel (Powder-Coated Black) or Aluminum

Compatible Locks:

2930
2985

Order Numbers:

Steel: GB900
Aluminum: GB900AL



GB950

Steel (Powder-Coated Black) or Aluminum

Compatible Locks:

2900
2950

Order Numbers:

Steel: GB950
Aluminum: GB950AL



GB1150

Steel or Aluminum

Compatible Locks:

1150
1600

Order Numbers:

Steel: GB1150
Aluminum: GB1150AL



GB2500

Steel or Aluminum

Compatible Locks:

2210 3210
2830 3230
2835

Order Numbers:

Steel: GB2500
Aluminum: GB2500AL



GB-ADD-A-BOLT

Steel, Powder-Coated, Black or White Drive-In Deadbolt, designed for gates with stiles 1 1/2" to 2"

Compatible Locks:

M210, M210DC

Order Numbers:

Black: GB-ADD-A-BOLT-B
White: GB-ADD-A-BOLT-W



GB2900-LINX

Stainless Steel Box for Chain Link

Compatible Locks:

2900
2930
2950
2985

Order Number:

GB2900-LINX
GB2900-LINX 1 7/8"



PANIC SHIELDS

NO MOUNTING HOLES

- | | |
|-----------------|-----------------|
| 24": | 12": |
| Black: PS-24-B | Black: PS-12-B |
| Silver: PS-24-S | Silver: PS-12-S |
| Steel: PS-24-PL | Steel: PS-12-PL |



Mounting plate for any panic bar
Turn gates into emergency exits
16ga electro-galvanized steel
Adjustable for 28"-54" gates
Available in 24" and 12"
Black & Silver: Powder-Coated finish
Steel: Unfinished

PREDRILLED PANIC SHIELDS FOR LOCKEY PANIC BARS

- | | |
|-------------------|-------------------|
| 24": | 12": |
| Black: PS-1124-B | Black: PS-1112-B |
| Silver: PS-1124-S | Silver: PS-1112-S |
| Steel: PS-1124-PL | Steel: PS-1112-PL |



PREDRILLED PANIC SHIELDS FOR DETEX PANIC BARS

- | | |
|-------------------|-------------------|
| 24": | 12": |
| Black: PS-DX24-B | Black: PS-DX12-B |
| Silver: PS-DX24-S | Silver: PS-DX12-S |
| Steel: PS-DX24-PL | Steel: PS-DX12-PL |

EDGE PANIC SHIELDS

AVAILABLE PREDRILLED FOR
PB1100, PB2500, or DETEX V40

- Order #**
PS-EDGE-B
PS-EDGE-S
(Specify panic bar hole pattern)



EDGE Mounting Plate
Turn gates into emergency exits
16ga electro-galvanized steel
Adjustable for 28"-54" gates
Available in 24" and 12"
Available in Black or Silver
Powder-Coated finish

MAX GUARD



Mounts above panic bar
Prevents tampering from outside the gate
16ga electro-galvanized steel
4" protrusion, 24" wide

- Order Numbers:**
Powder-Coated Black: PS-MAX-B
Powder-Coated Silver: PS-MAX-S
Steel: PS-MAX-PL

LATCH PROTECTOR

Provides extra security to gate latches
For gates with over 1" gap
16ga electro-galvanized steel
Powder-Coated finish
23.375" long

- Order Numbers:**
Black: PS-LP-B
Silver: PS-LP-S



PANIC SHIELD EXTENSION PLATES

Extends panic shield up to 74"
16ga electro-galvanized steel
Available in 24" or 12"
Black & Silver: Powder-Coated
Steel: No finish



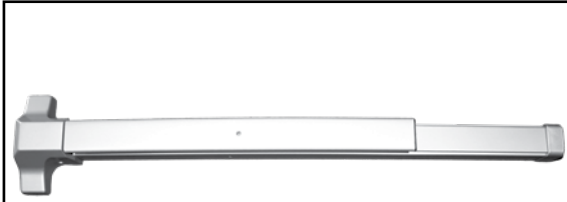
- | | |
|------------------|--------------------|
| 24": | 12": |
| Black: PS-EXT-B | Black: PS-EXT12-B |
| Silver: PS-EXT-S | Silver: PS-EXT12-S |
| Steel: PS-EXT-PL | Steel: PS-EXT12-PL |

STRIKE BRACKETS

1/4" Steel, Powder-Coated
Adjustable
Fits up to 3" post
Available in Black or Silver



- Order Numbers:**
Black: PS-SB-B
Silver: PS-SB-S



Available LOCKEY Panic Bars:

- Standard: PB1100
- Aluminum: PB1100 AL
- Stainless Steel: PB1100 SS
- Fire Rated: PB1100 FR

For 48" Doors: PB1142
Stainless Steel, for 48" Doors: PB1142 SS

LOCKEY PANIC BARS

Grade 1 Certified ANSI/BHMA A156.3 Series
Complies with ANSI A117.a ADA requirements
UL/cUL Listed

Narrow Stile: 2 1/2"

Door Thickness: 1 3/4" (standard)

Device Length: 33" for 36" doors or 42" for 48" doors

Can be cut down to 27"

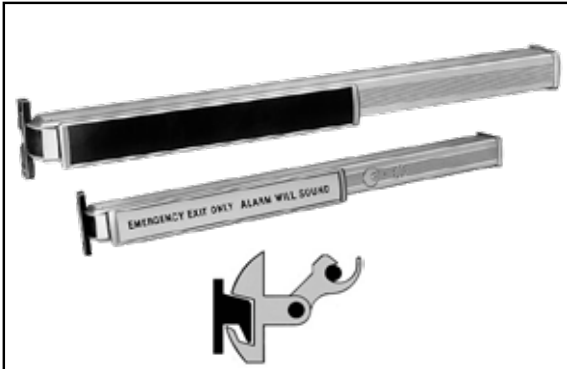
Weather Resistant

36" Doors

- PB1100 AL
- PB1100 SS
- PB1100 FR

48" Doors

- PB1142
- PB1142 SS



The PB2500 and PB2500 Alarm Bar have a patented double-interlocking system, making it virtually impossible to tamper with, pry, or force open.

PB2500 PANIC BARS

UL Certified ANSI/BHMA 156.3 2008, Grade 1
Listed by CA State Fire Marshall & ADA Compliant
Made in the USA

Weather Resistant

Non-handed

Standard lengths for 36" or 48" doors/gates

Can be field cut for undersized doors/gates

Designed for narrow stile aluminum doors

36" Doors

- PB2500
- PB2500 Alarm

48" Doors

- PB2542
- PB2542 Alarm



Available DETEX Panic Bars:

- Detex V-40
- Detex Alarm Bar: V-40xEB
- Detex Weatherized Alarm Bar: V-40xEBxW

DETEX PANIC BARS

ANSI and BHMA Grade 1 Certified
UL/cUL Listed

ADA Compliant

Narrow Stile: 2 1/2"

Door Thickness: 1 3/4" (standard)

Device Length: 33" for 36" doors or 42" for 48" doors

Field-sizable

Weatherproof

Order #

- V-40
- V-40xEB
- V-40xEBxW

Black

711

48" Doors

48

KEYLESS PANIC TRIMS

115P HEAVY-DUTY LEVER

Keyless Panic Trim, 1150 lock body

Compatible with panic bars that accept a flat tail piece & have a turn radius of **74 degrees or less**

Order #

115P

Please specify finish: JB, MG, or OB



160P HEAVY-DUTY KNOB

Keyless Panic Trim, 1600 lock body

Compatible with panic bars that accept a flat tail piece & have a turn radius of **90 degrees or less**

Order #

160P

Please specify finish: JB, MG, or OB



285P LEVER

Keyless Panic Trim, 2835 lock body

Compatible with panic bars that accept a flat tail piece & have a turn radius of **74 degrees or less**

Order #

285P

Please specify finish: AB, BB, BC, JB, MG, OB, SC, SN or WH



310P KNOB

Keyless Panic Trim, 3000 series lock body

Compatible with panic bars that accept a flat tail piece & have a turn radius of **90 degrees or less**

Order #

310P

Only available in MG finish



PANIC TRIMS

PULL HANDLE ENTRY TRIM



Order #

PB-DUMED

LEVER HANDLE CLUTCH TRIM



Order #

PB-LHCL

LEVER HANDLE KEYED TRIMS



Style

Keyed Entry

Storeroom

Order #

PB-LHED

PB-LHSR

LEVER HANDLE PASSAGE TRIM



Order #

PB-LHPS

NIGHT LATCH HANDLESET TRIM



Order #

PB-NLED

THUMBPIECE KEYED ENTRY TRIM



Order #

PB-TPED

PANIC SHIELD GATE BOXES

PSGB100

Trim box

Compatible locks:

115P

160P

Finish

Black

Silver

Order #

PSGB100B

PSGB100S



PSGB200

Trim box

Compatible locks:

285P

310P

Finish

Black

Silver

Order #

PSGB200B

PSGB200S



PSGB-LH

Trim box

Compatible trims:

PB-LHPS

PB-LHED

PB-LHSR

Order #

PSGBLH





INCLUDES

Panic Shield
Panic Bar (36")
Strike Bracket

OPTIONS

Panic Shield:

Lockey, Detex, or Edge pre-drilled panic shield
Height: 24" or 12"
Finish: Plain (unfinished steel), Black, or Silver

Panic Bar:

Lockey PB1100, PB2500, PB2500 Alarm, or
Detex V40 Series

Strike Bracket:

Black or Silver



12" Panic Shield with PB1100



24" Panic Shield with PB1100

DIMENSIONS & SPECIFICATIONS

Panic Shield Dimensions:

Height: 24" or 12"

Width: Expandable up to 54"

Material: 16-Gauge electro-galvanized steel

Finish: Powder-coated black or silver

Panic Bar Sizing:

Length: 33" for 36" doors, 42" for 48" doors

Field-sizable: Can be cut down to 27"



ORDERING INFORMATION

Order #:

PS-11 Value

PS-11 EDGE Value

PS-DX Value

PS-DX EDGE Value

PS-2500EDGE Value

Alarm Bar Order #'s:

PS-DX-Alarm-Value

PS-DX-Alarm-EDGE-Value

PS-2500-Alarm-EDGE-Value

Please specify size & finish for all products included in the panic shield kit.



INCLUDES

- Panic Shield
- Panic Bar (36")
- Strike Bracket
- PSGB-5 Key Box
- Keyed Cylinder

OPTIONS

Panic Shield:

Lockey, Detex, or Edge pre-drilled panic shield
 Height: 24" or 12"
 Finish: Plain (unfinished steel), Black, or Silver

Panic Bar:

Lockey PB1100, PB2500, PB2500 Alarm, or
 Detex V40 Series

Strike Bracket:

Black or Silver

Key Box:

Black or Silver



DIMENSIONS & SPECIFICATIONS

Panic Shield Dimensions:

Height: 24" or 12"

Width: Expandable up to 54"

Material: 16-Gauge electro-galvanized steel

Finish: Powder-coated black or silver

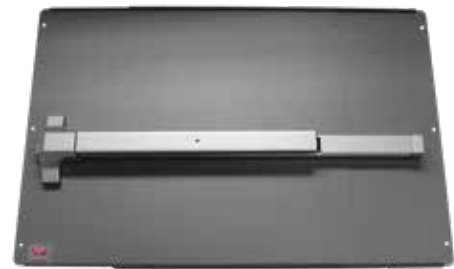
Panic Bar Sizing:

Length: 33" for 36" doors, 42" for 48" doors

Field-sizable: Can be cut down to 27"



12" Panic Shield with PB1100



24" Panic Shield with PB1100



ORDERING INFORMATION

Order #:

- PS-11 Safety
- PS-11 EDGE Safety
- PS-DX Safety
- PS-DX EDGE Safety
- PS-2500EDGE Safety

Alarm Bar Order #'s:

- PS-DX-Alarm-Safety
- PS-DX-Alarm-EDGE-Safety
- PS-2500-Alarm-EDGE-Safety

Please specify size & finish for all products included in the panic shield kit.



INCLUDES

Panic Shield, Panic Bar (36"), 285-P Panic Trim, PSGB200 Keyless Trim Box, Strike Bracket, Max Guard
*Edge Security Kits also include Latch Protector

OPTIONS

Panic Shield:

Lockey, Detex, or Edge pre-drilled panic shield
Height: 24" or 12"

Finish: Plain (unfinished steel), Black, or Silver

Panic Bar:

Lockey PB1100, PB2500, PB2500 Alarm, or Detex V40 Series

Keyless Panic Trim:

Finish: AB, BB, BC, JB, MG, OB, SC (standard), SN, WH

Strike Bracket:

Black or Silver

Keyless Trim Box:

Black or Silver

Max Guard:

Plain, Black, or Silver



DIMENSIONS & SPECIFICATIONS

Panic Shield Dimensions:

Height: 24" or 12"

Width: Expandable up to 54"

Material: 16-Gauge electro-galvanized steel

Finish: Powder-coated black or silver, or raw steel

Panic Bar Sizing:

Length: 33" for 36" doors, 42" for 48" doors

Field-sizable: Can be cut down to 27"



ORDERING INFORMATION

Order #:

PS-11 Security

PS-11 EDGE Security

PS-DX Security

PS-DX EDGE Security

PS-2500EDGE Security

Alarm Bar Order #:

PS-DX-Alarm-Security

PS-DX-Alarm-EDGE-Security

PS-2500-Alarm-EDGE-Security

Please specify size & finish for all products included in the panic shield kit.

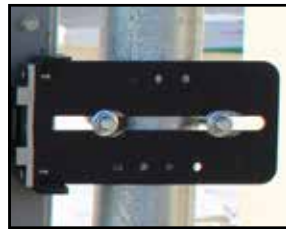
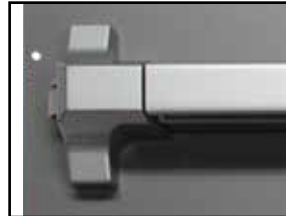
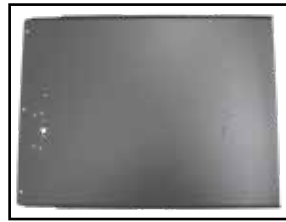
PS-11 EDGE KITS:

- ✓ **NEW EDGE PANIC SHIELD MOVES THE LOCKEYUSA PB1100 PANIC BAR CLOSER TO THE STRIKE**
- ✓ **REDUCED STRIKE SIZE & REDUCED STRIKE PROTRUSION**
- ✓ **LATCH PROTECTOR INCLUDED WITH ALL PS-11 EDGE KITS**

PS-11EDGE



vs. PS-1124



PS-11 EDGE VALUE KITS INCLUDE:

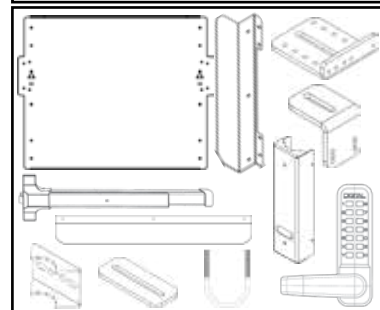
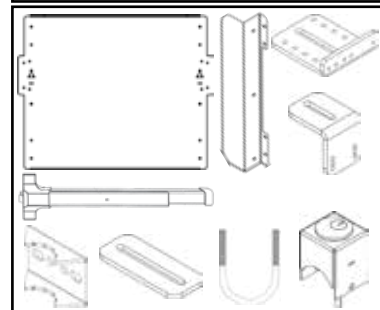
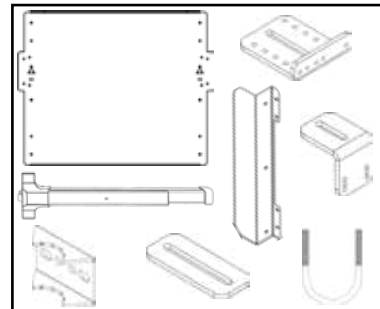
- ✓ EDGE PANIC SHIELD
- ✓ LOCKEY PB1100 PANIC BAR (36")
- ✓ STRIKE BRACKET
- ✓ LATCH PROTECTOR
- ✓ GATE STOP

PS-11 EDGE SAFETY KITS INCLUDE:

- ✓ EDGE PANIC SHIELD
- ✓ LOCKEY PB1100 PANIC BAR (36")
- ✓ EDGE-PS-SB STRIKE BRACKET
- ✓ EDGE-PSGB-5 KEY BOX
- ✓ KEYED CYLINDER
- ✓ LATCH PROTECTOR
- ✓ GATE STOP

PS-11 EDGE SECURITY KITS INCLUDE:

- ✓ EDGE PANIC SHIELD
- ✓ LOCKEY PB1100 PANIC BAR (36")
- ✓ EDGE-PS-SB STRIKE BRACKET
- ✓ EDGE-PSGB200 KEYLESS TRIM BOX
- ✓ 285-P KEYLESS PANIC TRIM
- ✓ MAX GUARD
- ✓ LATCH PROTECTOR
- ✓ GATE STOP



PS-2500 EDGE KITS:

✓ FEATURES NEW PB2500 PANIC BAR

The **PB2500** has a patented interlock latch & strike. The latch rotates to engage and grip the specially designed strike. In addition to the latch and strike, an interlocking mechanism located within the chassis offers a double interlocking system, making the PB2500 Panic Bar *virtually impossible to tamper with, pry, or force open.*



✓ REDUCED STRIKE SIZE & REDUCED STRIKE PROTRUSION

✓ LATCH PROTECTOR INCLUDED WITH ALL PS-2500 EDGE KITS



PS-2500 EDGE VALUE KITS INCLUDE:

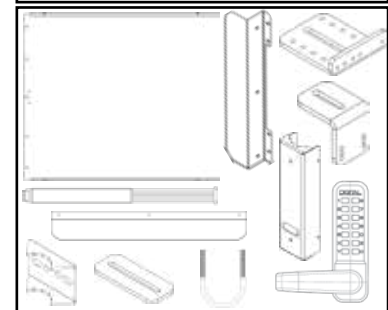
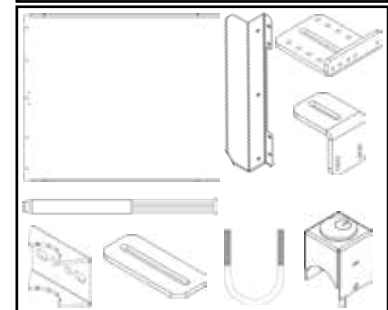
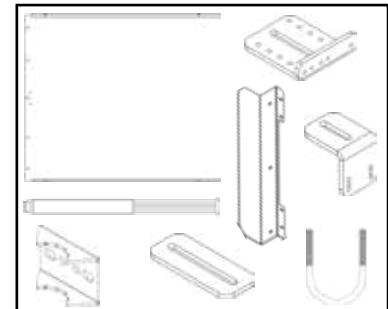
- ✓ EDGE PANIC SHIELD PREDRILLED FOR PB2500
- ✓ LOCKEY PB2500 PANIC BAR
- ✓ STRIKE BRACKET
- ✓ LATCH PROTECTOR
- ✓ GATE STOP

PS-2500 EDGE SAFETY KITS INCLUDE:

- ✓ EDGE PANIC SHIELD PREDRILLED FOR PB2500
- ✓ LOCKEY PB2500 PANIC BAR
- ✓ EDGE-PS-SB STRIKE BRACKET
- ✓ EDGE-PSGB-5 KEY BOX
- ✓ KEYED CYLINDER
- ✓ LATCH PROTECTOR
- ✓ GATE STOP

PS-2500 EDGE SECURITY KITS INCLUDE:

- ✓ EDGE PANIC SHIELD PREDRILLED FOR PB2500
- ✓ LOCKEY PB2500 PANIC BAR
- ✓ EDGE-PS-SB STRIKE BRACKET
- ✓ EDGE-PSGB200 KEYLESS TRIM BOX
- ✓ 285-P KEYLESS PANIC TRIM
- ✓ MAX GUARD
- ✓ LATCH PROTECTOR
- ✓ GATE STOP



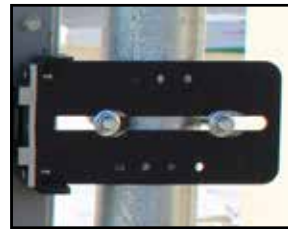
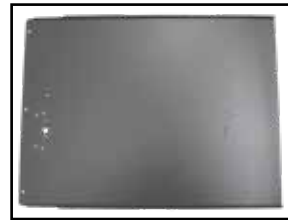
PS-DX EDGE KITS:

- ✓ **NEW PS-DX EDGE PANIC SHIELD BRINGS DETEX V-40 PANIC BAR CLOSER TO THE STRIKE**
- ✓ **REDUCED STRIKE SIZE & REDUCED STRIKE PROTRUSION**
- ✓ **LATCH PROTECTOR INCLUDED WITH ALL PS-DX EDGE KITS**

PS-DXEDGE



vs. PS-DX24



PS-DX EDGE VALUE KITS INCLUDE:

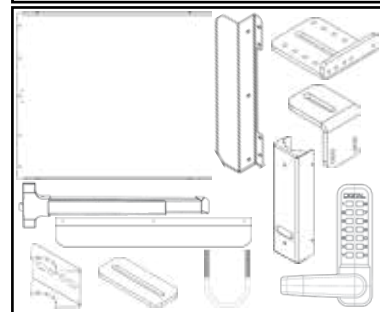
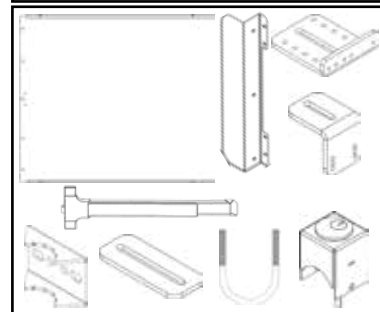
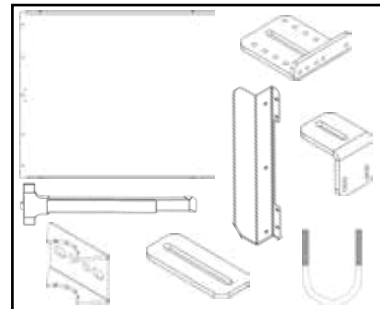
- ✓ EDGE PANIC SHIELD PREDRILLED FOR DETEX V-40
- ✓ DETEX V-40 PANIC BAR
- ✓ STRIKE BRACKET
- ✓ LATCH PROTECTOR
- ✓ GATE STOP

PS-DX EDGE SAFETY KITS INCLUDE:

- ✓ EDGE PANIC SHIELD PREDRILLED FOR DETEX V-40
- ✓ DETEX V-40 PANIC BAR
- ✓ EDGE-PS-SB STRIKE BRACKET
- ✓ EDGE-PSGB-5 KEY BOX
- ✓ KEYED CYLINDER
- ✓ LATCH PROTECTOR
- ✓ GATE STOP

PS-DX EDGE SECURITY KITS INCLUDE:

- ✓ EDGE PANIC SHIELD PREDRILLED FOR DETEX V-40
- ✓ DETEX V-40 PANIC BAR
- ✓ EDGE-PS-SB STRIKE BRACKET
- ✓ EDGE-PSGB200 KEYLESS TRIM BOX
- ✓ 285-P KEYLESS PANIC TRIM
- ✓ MAX GUARD
- ✓ LATCH PROTECTOR
- ✓ GATE STOP



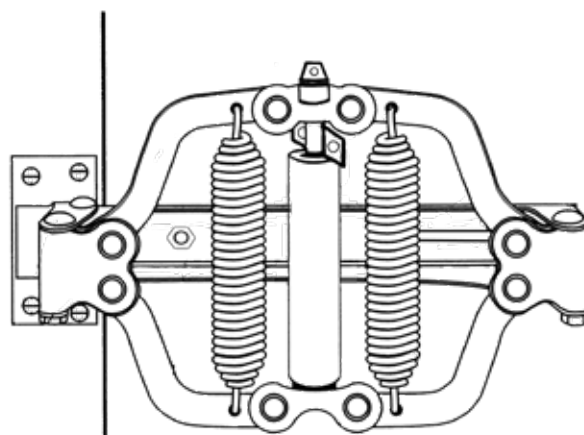


FEATURES

- Gently closes both small and large gates up to 125lbs.
- Pushes gate closed
- Adjustable closing speed
- Can be installed on top, bottom or middle of gate
- Recommended for pool, garden and barrier gates
- Can be used on lightweight (non fire-rated) doors
- Works best on gates with in-line/flush hinges



13"



7 1/2"

DIMENSIONS & SPECIFICATIONS

Dimensions:

Length: 7 1/2"

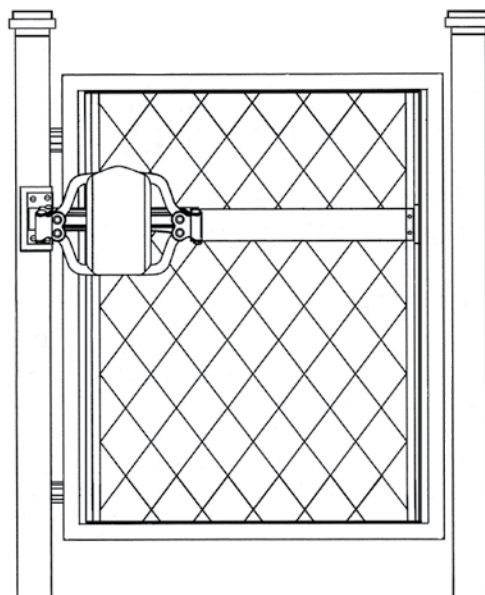
Width: 13"

Depth: 2 1/2"

Mounting Bracket Dimensions: 3 1/4" x 1 3/4"**Max. Gate Weight:** 125 lbs.**Max. Gate Width:** 54"**Max. Opening Angle:** 90 degrees**Min. Operating Temperature:** 10 degrees**Max. Operating Temperature:** 110 degrees**Type of Gate Material:** Vinyl, Wood, Steel, Chain Link**Closing/Latching Method:** Hydraulic**Material:** Steel**Finish:** Powder-Coated**Color:** Black**Hinge Arrangements:** In-line/flush hinges**Opening Pressure:** Variable, depending on gate size

The LockeyUSA Turtle Back TB100 Hydraulic Gate closer must mount on the hinge side/pull side of the gate in order to push the gate closed. The TB100 works best if the gate has in-line/flush hinges flush with the gate post with 1" or less gap.

ORDERING INFORMATION

Order #: TB100



FEATURES

- Flush mount gate closer
- Closes gates 50 to 125 lbs. easily and gently
- Installs on top/middle/bottom
- Works with left and right hand gates
- Will work with most in-line hinge arrangements
- Mounts on opening side of gate
- Pushes the gate closed
- Adjustable closing speed
- Adjustable latching speed
- Hold open feature

OPTIONS

Black, White



DIMENSIONS & SPECIFICATIONS

Dimensions:

- Length: 12 1/2"
- Width: 2 1/2"
- Depth: 2 3/8"

Max. Gate Weight: 125 lbs.

Max. Gate Width: 54"

Max. Opening Angle: 90 degrees

Type of Gate Material: Metal, Vinyl, Wood

Closing/Latching: Adjustable

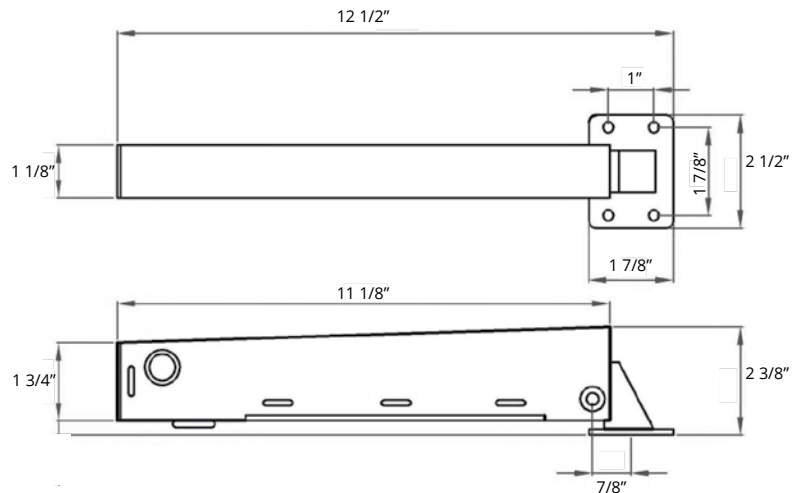
Material: Steel

Color: Black or White

Finish: Powder coated

Hinge Arrangements: In-line

Opening Pressure: Variable depending on gate size



The TB175 may not be compatible with offset hinge arrangements or arrangements that create more than 2" between gate post and gate, as it is critical to mount the closer as close as possible to the gate's pivot point.

ORDERING INFORMATION

Finish	Order #:
Black	TB175B
White	TB175W





FEATURES

- Closes small and large gates from 50-125 lbs.
- Hydraulic/Nitrogen Gas controlled closing speed
- Installs on top/middle/bottom
- Works with left and right hand gates
- Mounts on opening side of gate
- Pushes the gate closed
- Mounting brackets and fitting bar included
- Not compatible with gates less than 30 inches wide

OPTIONS

Steel (Black), Stainless Steel (Silver)

DIMENSIONS & SPECIFICATIONS

- Gate Weight: 50-125 lbs.
- Max. Gate Width: 36-52"
- Max. Opening Angle: 100 degrees
- Min. Operating Temperature: 15 degrees Fahrenheit*
- Max. Operating Temperature: 122 degrees Fahrenheit*
- Type of Gate Material: Vinyl, Steel, Wood, Chain Link**
- Closing/Latch Method: Hydraulic/Nitrogen Gas
- Material: Steel or Stainless Steel
- Color: TB200: Black, TB200SS: Silver
- Finish: TB200: Painted, TB200SS: Stainless Steel
- Hinge Arrangements: In-line or Offset
- Opening Pressure: Approx. 3-7 lbs.

*Operation of the closer in temperatures below or above the minimum and maximum operating temperatures may result in improper operation or complete failure of the closer.

**TB200 can be mounted on chain link gates with the TB-LINX. TB-LINX sold separately. TB-LINX shown to the right.



ORDERING INFORMATION

<u>Material, Color</u>	<u>Order #:</u>
Steel, Black	TB200
Stainless Steel, Silver	TB200SS



FEATURES

- Closes small and large gates from 75-175 lbs.
- Hydraulic/Nitrogen Gas controlled closing speed
- Installs on top/middle/bottom
- Works with left and right hand gates
- Mounts on opening side of gate
- Pushes the gate closed
- Mounting brackets and fitting bar included
- Not compatible with gates less than 30 inches wide

OPTIONS

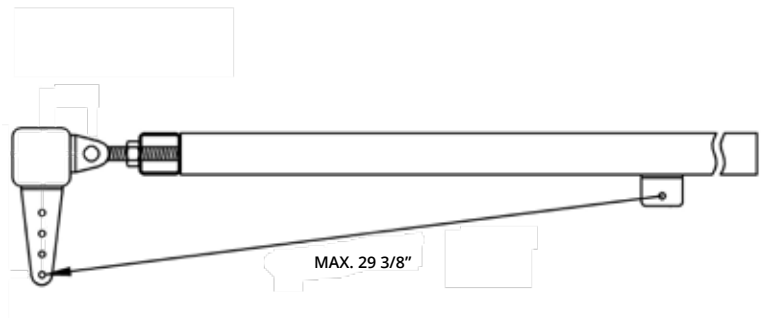
Steel (Black), Stainless Steel (Silver)

DIMENSIONS & SPECIFICATIONS

- Gate Weight: 75-175 lbs.
- Gate Width: 40-64"
- Max. Opening Angle: 100 degrees
- Min. Operating Temperature: 15 degrees Fahrenheit*
- Max. Operating Temperature: 122 degrees Fahrenheit*
- Type of Gate Material: Vinyl, Steel, Wood, Chain Link**
- Closing/Latch Method: Hydraulic/Nitrogen Gas
- Material: Steel or Stainless Steel
- Color: TB400: Black, TB400SS: Silver
- Finish: TB400: Painted, TB400SS: Stainless Steel
- Hinge Arrangements: In-line or Offset
- Opening Pressure: Approx. 6-12 lbs.

*Operation of the closer in temperatures below or above the minimum and maximum operating temperatures may result in improper operation or complete failure of the closer.

**TB400 can be mounted on chain link gates with the TB-LINX. TB-LINX sold separately. TB-LINX shown to the right.



ORDERING INFORMATION

<u>Material, Color</u>	<u>Order #:</u>
Steel, Black	TB400
Stainless Steel, Silver	TB400SS



FEATURES

- Closes small and large gates from 150-250 lbs.
- Hydraulic/Nitrogen Gas controlled closing speed
- Installs on top/middle/bottom
- Works with left and right hand gates
- Mounts on opening side of gate
- Pushes the gate closed
- Mounting brackets and fitting bar included
- Not compatible with gates less than 30 inches wide

OPTIONS

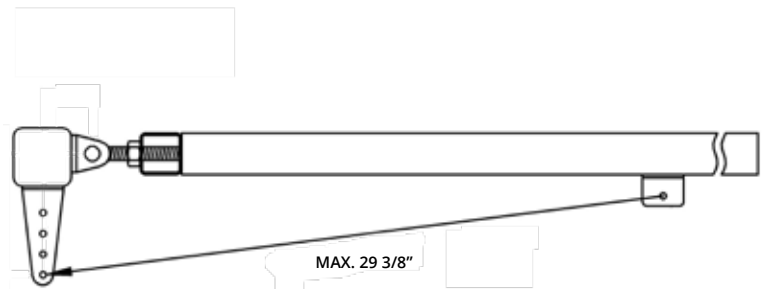
Steel (Black), Stainless Steel (Silver)

DIMENSIONS & SPECIFICATIONS

- Gate Weight:** 150-250 lbs.
- Gate Width:** 44-72"
- Max. Opening Angle:** 100 degrees
- Min. Operating Temperature:** 15 degrees Fahrenheit*
- Max. Operating Temperature:** 122 degrees Fahrenheit*
- Type of Gate Material:** Vinyl, Steel, Wood, Chain Link**
- Closing/Latch Method:** Hydraulic/Nitrogen Gas
- Material:** Steel or Stainless Steel
- Color:** TB600: Black, TB600SS: Silver
- Finish:** TB600: Painted, TB600SS: Stainless Steel
- Hinge Arrangements:** In-line or Offset
- Opening Pressure:** Approx. 8-18 lbs.

**Operation of the closer in temperatures below or above the minimum and maximum operating temperatures may result in improper operation or complete failure of the closer.*

***TB600 can be mounted on chain link gates with the TB-LINX. TB-LINX sold separately. TB-LINX shown to the right.*



ORDERING INFORMATION

<u>Material, Color</u>	<u>Order #:</u>
Steel, Black	TB600
Stainless Steel, Silver	TB600SS



FEATURES

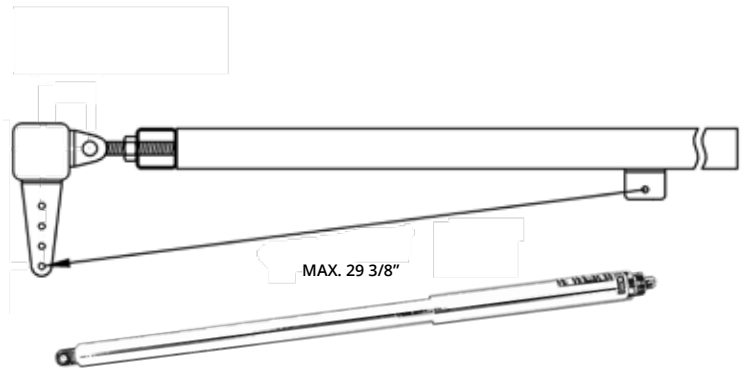
- Adjustable hydraulic (nitrogen gas) controlled closing speed
- Closes small and large gates from 50-125 lbs.
- Installs on top/middle/bottom
- Works with left and right hand gates
- Mounts on opening side of gate
- Pushes the gate closed
- Mounting brackets and fitting bar included
- Not compatible with gates less than 30 inches wide

OPTIONS

Black, White, or Gray

DIMENSIONS & SPECIFICATIONS

- Gate Weight: 50-125 lbs.
- Gate Width: 36-52"
- Max. Opening Angle: 100 degrees
- Min. Operating Temperature: 15 degrees Fahrenheit*
- Max. Operating Temperature: 122 degrees Fahrenheit*
- Type of Gate Material: Vinyl, Steel, Wood, Chain Link**
- Closing/Latch Method: Hydraulic/Nitrogen Gas
- Material: Steel
- Color: Black, White, or Gray
- Finish: PVC wrapped
- Hinge Arrangements: In-line or Offset
- Opening Pressure: Approx. 3-7 lbs.



**Operation of the closer in temperatures below or above the minimum and maximum operating temperatures may result in improper operation or complete failure of the closer.*

***TB250 can be mounted on chain link gates with the TB-LINX. TB-LINX sold separately. TB-LINX shown to the right.*



ORDERING INFORMATION

Finish	Order #:
TB250 Black	TB250B
TB250 White	TB250W
TB250 Gray	TB250G



FEATURES

- Adjustable hydraulic (nitrogen gas) controlled closing speed
- Closes small and large gates from 75-175 lbs.
- Installs on top/middle/bottom
- Works with left and right hand gates
- Mounts on opening side of gate
- Pushes the gate closed
- Mounting brackets and fitting bar included
- Not compatible with gates less than 30 inches wide

OPTIONS

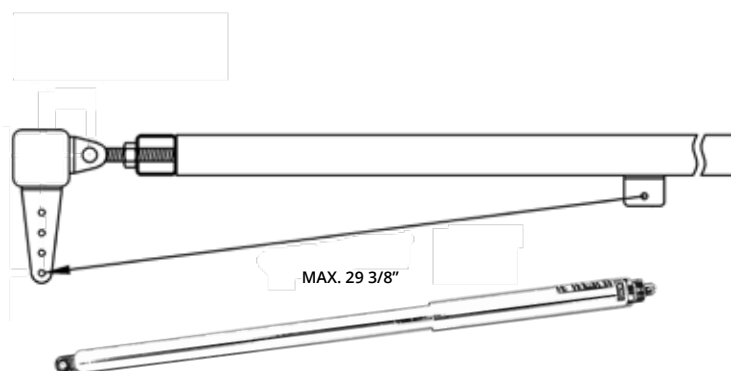
Black, White, or Gray

DIMENSIONS & SPECIFICATIONS

- Gate Weight: 75-175 lbs.
- Gate Width: 40-64"
- Max. Opening Angle: 100 degrees
- Min. Operating Temperature: 15 degrees Fahrenheit*
- Max. Operating Temperature: 122 degrees Fahrenheit*
- Type of Gate Material: Vinyl, Steel, Wood, Chain Link**
- Closing/Latch Method: Hydraulic/Nitrogen Gas
- Material: Steel
- Color: Black, White, or Gray
- Finish: PVC coated
- Hinge Arrangements: In-line or Offset
- Opening Pressure: Approx. 6-12 lbs.

**Operation of the closer in temperatures below or above the minimum and maximum operating temperatures may result in improper operation or complete failure of the closer.*

***TB450 can be mounted on chain link gates with the TB-LINX. TB-LINX sold separately. TB-LINX shown to the right.*



ORDERING INFORMATION

<u>Finish</u>	<u>Order #:</u>
TB450 Black	TB450B
TB450 White	TB450W
TB450 Gray	TB450G



FEATURES

- Adjustable hydraulic (nitrogen gas) controlled closing speed
- Closes small and large gates from 150-250 lbs.
- Installs on top/middle/bottom
- Works with left and right hand gates
- Mounts on opening side of gate
- Pushes the gate closed
- Mounting brackets and fitting bar included
- Not compatible with gates less than 30 inches wide

OPTIONS

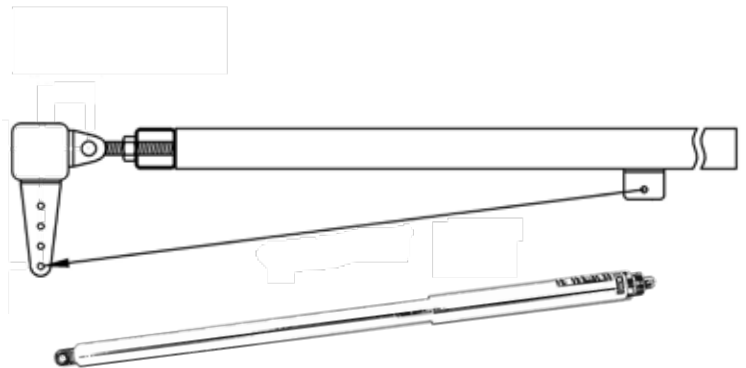
Black, White, or Gray

DIMENSIONS & SPECIFICATIONS

- Gate Weight: 150-250 lbs.
- Gate Width: 44-72"
- Max. Opening Angle: 100 degrees
- Min. Operating Temperature: 15 degrees Fahrenheit*
- Max. Operating Temperature: 122 degrees Fahrenheit*
- Type of Gate Material: Vinyl, Steel, Wood, Chain Link**
- Closing/Latch Method: Hydraulic/Nitrogen Gas
- Material: Steel
- Color: Black, White, or Gray
- Finish: PVC coated
- Hinge Arrangements: In-line or Offset
- Opening Pressure: Approx. 8-18 lbs.

**Operation of the closer in temperatures below or above the minimum and maximum operating temperatures may result in improper operation or complete failure of the closer.*

***TB650 can be mounted on chain link gates with the TB-LINX. TB-LINX sold separately. TB-LINX shown to the right.*



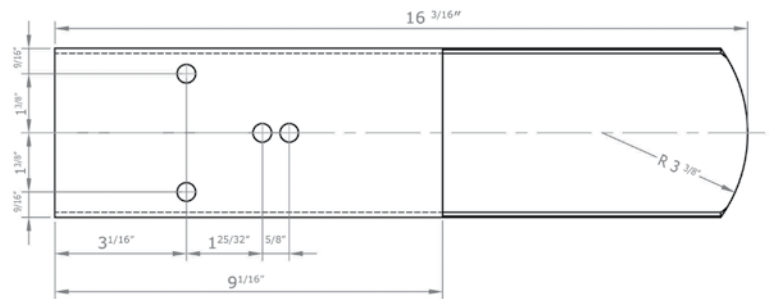
ORDERING INFORMATION

Finish	Order #:
TB650 Black	TB650B
TB650 White	TB650W
TB650 Gray	TB650G



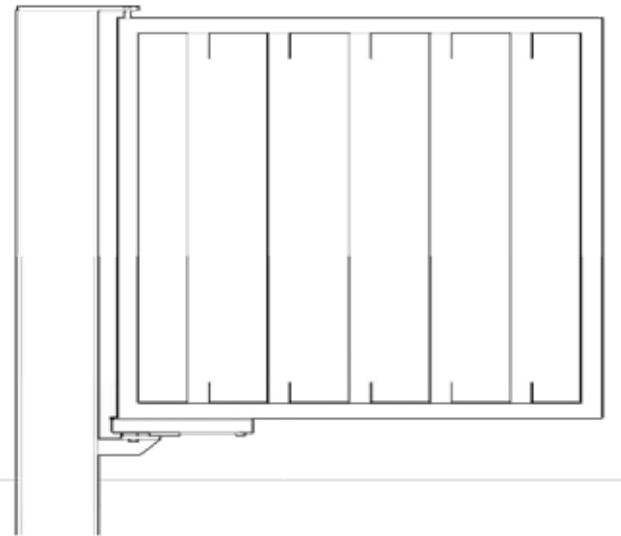
FEATURES

- All-in-one closer and hinge system
- Self-closing
- Concealed, high use, pedestrian gate closer
- Tamper and vandal resistant
- Two speed adjustments: closing & latching
- Closes gates weighing between 50-250 lbs.
- Works with left and right hand gates
- No hold open
- Restrictor to avoid over opening
- Speed adjustments hidden from view
- 180 degree capable with 180 Drive Plate*



DIMENSIONS & SPECIFICATIONS

- Max. Gate Weight: 50-250 lbs.
- Max. Gate Width: 48"
- Max. Gate Height: 78"
- Max. Opening Angle: 90 degrees, 180 degrees with 180 Drive Plate*
- Min. Operating Temperature: -40 degrees Fahrenheit
- Max. Operating Temperature: 122 degrees Fahrenheit
- Type of Gate Material: Ornamental, Chain Link**
- Material: Steel
- Finish: Electro-galvanized
- Color: Gold



*180 Drive Plate sold separately
 **Mounts on Chain Link with TB950-LINX (sold separately)

ORDERING INFORMATION

Order #:
 TB950





GB2900 LINX

Stainless Steel Gate Box
Lock sold separately
No welding required

Compatible with:

2900
2930
2950
2985

Post Size:

1 5/8" (standard)
1 7/8"

Order #:

GB2900 LINX
GB2900 LINX 1 7/8"



TB-LINX

Mounting kit for chain link gates

Compatible with:

TB200 TB250
TB400 TB450
TB600 TB650

Includes:

(1) Post-Bracket
(1) U-Bolt
(2) Machine Screws
(4) Lock Nuts

Post Size:

2-3"
4"

Order #:

TB-LINX
TB-LINX-4



TB-950 LINX

Mounting kit for chain link gates

Compatible with:

TB950

Includes:

(2) Post-Brackets
(2) U-Bolts
(2) Weldable Plates
(4) Lock Nuts

Post Size:

2-3"

Order #:

TB950-LINX

GATE HASP

✓ **A SIMPLE WAY TO LOCK TWIN GATES, WITHOUT THE UGLY CHAINS**

✓ **WORKS WITH MOST TWIN GATES**

The NEW Gate Hasp from LockeyUSA is designed to work with most double gates. Secure double driveway gates, pedestrian gates and most double saloon style swing gates.

✓ **SECURE WITH LOCKEYUSA 2950DC OR A PADLOCK**

The Gate Hasp can be locked into place with a combination hook bolt lock (2950DC) or a padlock.



OPTIONS

Hasp Size:

2.5" x 24"

3.5" x 24"

2950DC Lock Finish:

Antique Brass

Bright Brass

Bright Chrome

Jet Black

Marine Grade

Oil Rubbed Bronze

Satin Nickel

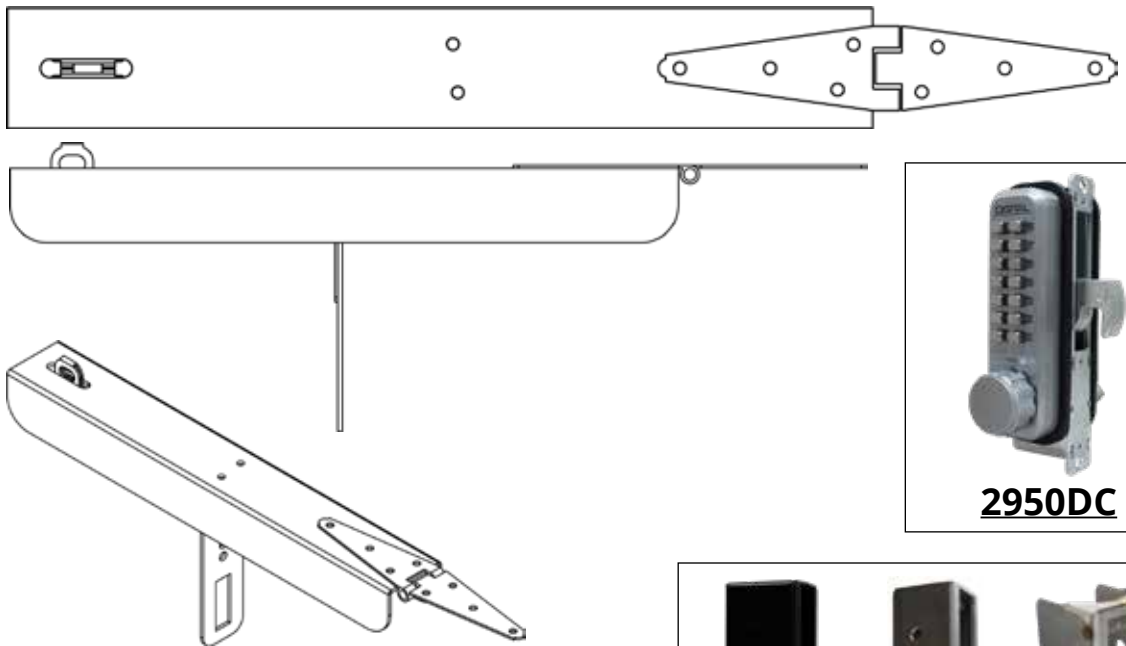
White

Gate Box:

GB900

GB900AL

GB2900-LINX



2950DC

ORDERING OPTIONS

ORDERING OPTIONS	2.5" x 24"	3.5" x 24"
Hasp Only	TGH-2524	TGH-3524
Hasp + 2950DC + GB900	TGH-DC2524	TGH-DC3524
Hasp + 2950DC + GB900 AL	TGH-DC2524-AL	TGH-DC3524-AL
Hasp + 2950DC + LINX	TGH-LINX-2524	TGH-LINX-3524



Gate Box Options

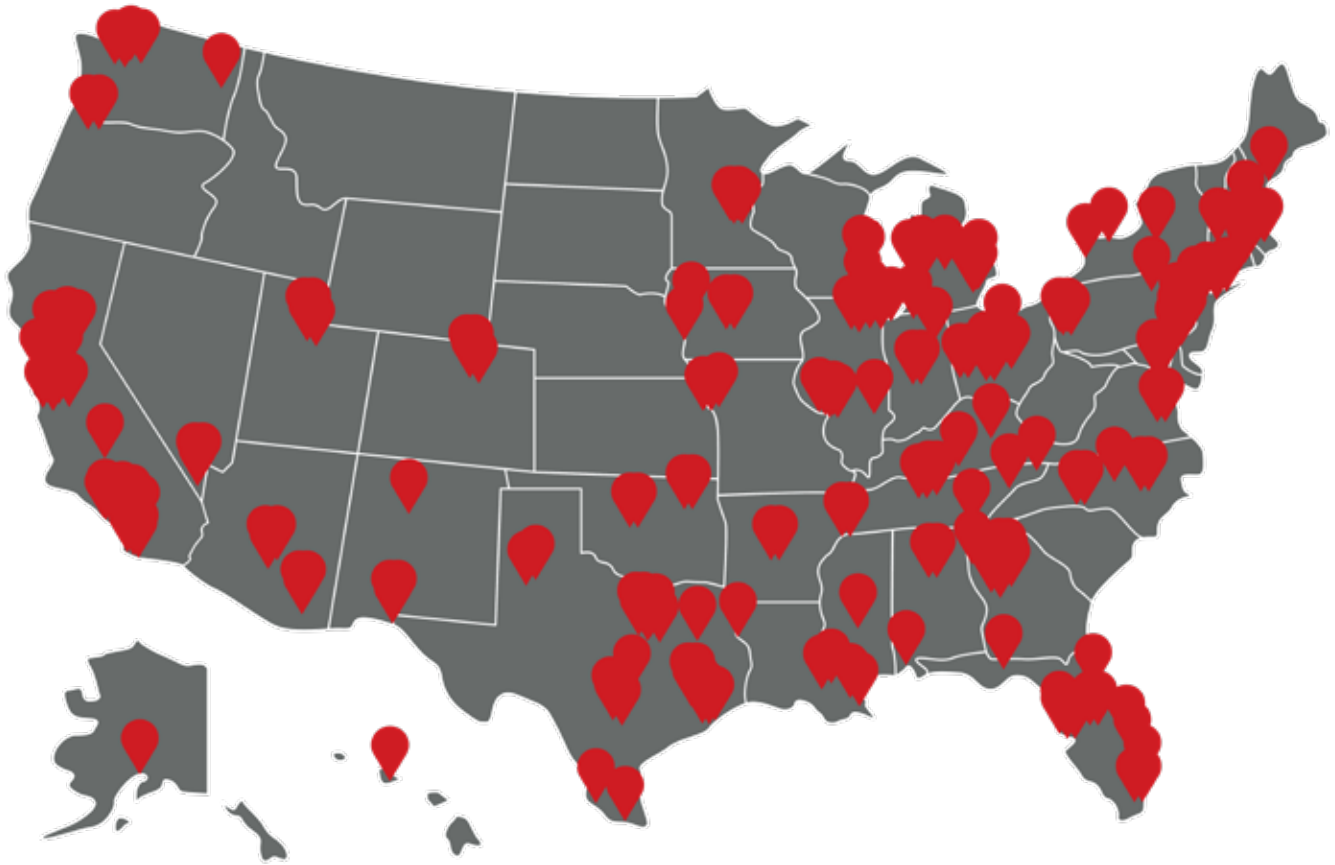
Accessory Name:	Compatible With:	Part #:
EC Series Key Blanks	EC Series	ECKeyBlank
EC Series Extension Kit	EC Series	ECExtKit
Numbered Trim Plate	EC Series	ECTrim
Batteries (24pk)	EC Series	Battery
Slam Latch	EC780, EC782, EC783	ECSlam
RFID Master Card	EC783, EC785	ECRFIDM
RFID User Card	EC783, EC785	ECRFIDU
ADA Lever Wet Area Kit	EC781	ECWetKit
E-Digital Remote Control	E-Digital Series (E910, E930, E985)	E-Remote
C-Series Pull Handle	C Series	C-25
Extra Combination Tumblers	C, M, 1000, 2000, 2900, 3000, & P Series	Pin Kit
Tamper Proof Screws	C, M, 1000, 2000, 2900 & 3000 Series	TPS
Extension Kit-1150	1150, 1600 (New Style)	EXT-1150
Extension Kit-2000	C Series, M Series, 2200, 2210, 2500, 2900, 2950 & 3000 Series	EXT-2000
Extension Kit-2835	2830, 2835, 2930 (New Style), 2985	EXT-2835
Thin Door Kit	C Series, M220, 2200, 2500	TDK
Adjustable Deadbolt	M210, 2210 & 3210	D-ADJ
Adjustable Latch	M230, 2230, 1600, 3230	SK2000-ADJ
Adjustable Latch 1150	1150	SL1150-ADJ
Adjustable Latch 2830/2835	2830, 2835	SL2835-ADJ
Drive-in Deadbolt	M210, 2210 & 3210	DID
M213 Surface Mount Latch	M Series	M213
900 Deadbolt	2900	900-Bolt
930 Latch	2930, 2985	930-Latch
950 Hookbolt	2950	950-Hook
3" x 8 1/2" Cover Plate	1150, 1600	T-Cover 1150
3 1/4" x 9" Cover Plate	2000 & 3000 Series	T-Cover 2500
Metal Trim Plate	2000 Series	T-Metal
Oversized Knob	2200, 2210, 2230, 2500, 2900, 2950	OSK
Push/Pull Guard	2000 Series, 3000 Series & 310P	PPG
Narrow Stile Mounting Tabs	2900 Series	AR-2991-0965
Keyed Rim Cylinder	PSGB-5 Key Box (1 1/8" Schlage 5 pin)	PS-CYL-(KA/KD)
IC Core Cylinder	Panic Bars (1 1/8" Rim Cylinder IC Core)	PS-CYL-IC
Mortise Cylinder	PB2500, PB Keyed Trims & V40 Alarm (1 1/8" Schlage C 5 pin)	V-CYL
Key Box	Keyed Rim Cylinder	PSGB-5
Medium Duty Gate Stop	TB Gate Closers	GS-90MD
Heavy Duty Gate Stop	TB Gate Closers	GS-90HD
2-3" Chain Link Gate Stop	TB Gate Closers	GS-LINX
4" Chain Link Gate Stop	TB Gate Closers	GS-LINX4"
TB Bracket Kit	TB Gate Closers	TB-Bracket-Kit
TB Mounting Kit	TB Gate Closers	TB-Mounting-Kit
TB Pin Kit	TB Gate Closers	TB-Pin-Kit
TB950 180 Drive Plate	TB950	TB950Plate 180 Drive

For replacement parts and accessories, visit www.LockeyParts.com. LockeyParts.com ONLY sells replacement parts & accessories. Lockey USA products must be purchased from an authorized distributor/online retailer.



FIND AN ONLINE RETAILER

WWW.LOCKEYUSA.COM/ONLINE-RETAILERS



FIND AN AUTHORIZED DISTRIBUTOR

WWW.LOCKEYUSA.COM/FIND-A-DISTRIBUTOR

4245 S. LINCOLN RD.
MT. PLEASANT, MI 48858



TEL: 888.395.0163
WWW.LOCKEYUSA.COM