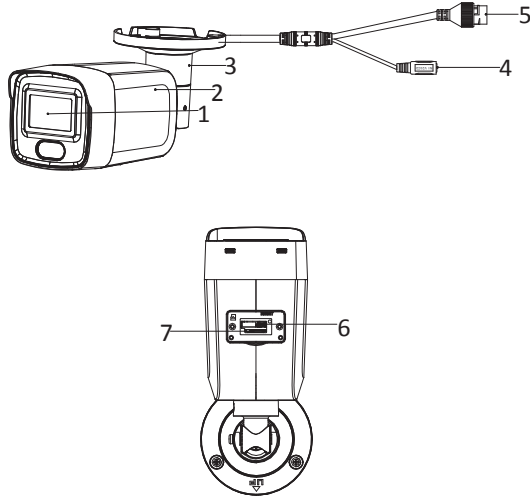


Bullet Full Color Network Camera

Quick Installation Guide



No.	Description
1	Lens
2	Camera
3	Bracket
4	Power Interface
5	Network Interface
6	Reset Button
7	Memory Card Slot

Note:

Press RESET about 10 s when the camera is powering on or rebooting to restore the default settings, including the user name, password, IP address, and port No., etc.

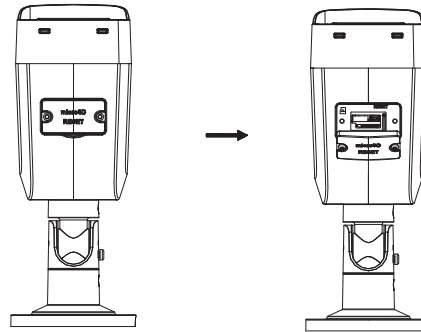
Installation Steps:

1. Memory Card Installation

Follow the steps to mount and unmount the memory card.

Steps:

1. Loosen the screws to remove the memory card slot cover.



2. Insert the memory card into the memory card slot.
3. (Optional) To unmount the memory card, push to get it ejected.
4. Screw the cover back to the camera.

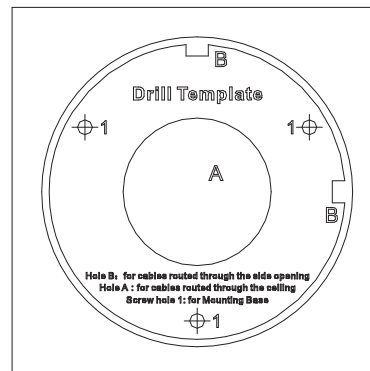
2. Ceiling Mounting

Steps:

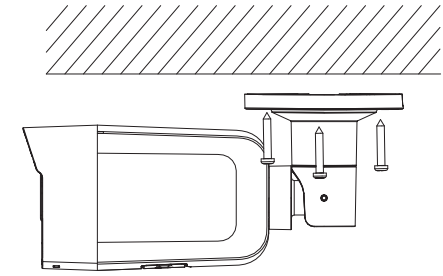
1. Paste the drill template (supplied) to the desired mounting position on the ceiling.
2. Drill the screw holes in the ceiling according to the supplied drill template.

Note:

Drill the cable hole, if adopting ceiling outlet to route the cable.



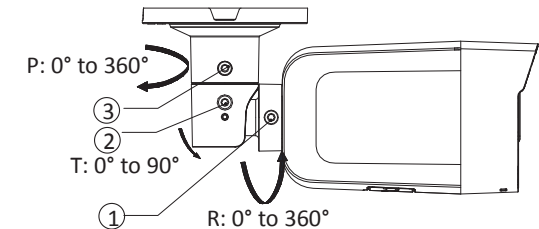
3. Route the cables through the cable hole (optional), or the side opening.
4. Fix the camera on the ceiling with supplied screws.



Note:

- In the supplied screw package, both self-tapping screws, and expansion bolts are contained.
- If the ceiling is cement, expansion bolts are required to fix the camera. If the ceiling is wooden, self-tapping screws are required.
5. Connect the cables and power on the camera to view live view image.
 6. Adjust the surveillance angle.
 - 1) Loosen the No.1 adjusting screw to adjust the rotation position [0° to 360°].
 - 2) Tighten the No.1 adjusting screw.
 - 3) Loosen the No.2 adjusting screw to adjust the tilting position [0° to 90°].

- 4) Tighten the No. 2 adjusting screw.
- 5) Loosen the No.3 adjusting screw to adjust the pan position [0° to 360°].
- 6) Tighten the No.3 adjusting screw.



For detailed instructions of further configuration, please refer to the user manual of network camera.