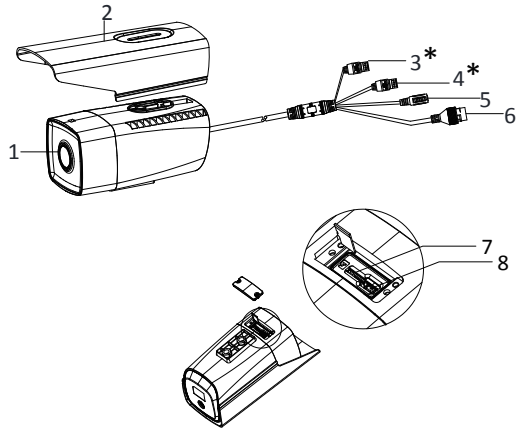
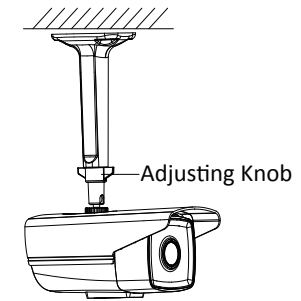
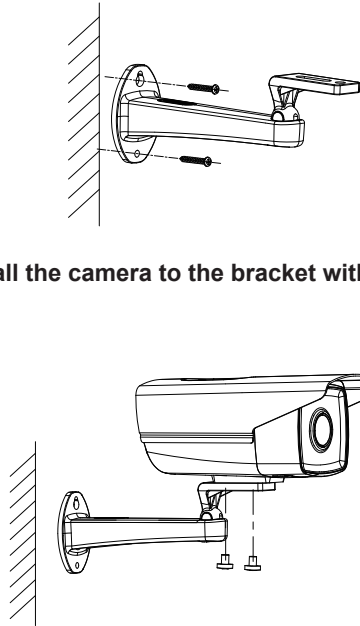


# Bullet Type IV Network Camera

## Quick Installation Guide



**1.2. Install the camera to the bracket with the supplied screws.**



### 3. Angle Adjustment

**3.1. Loosen the adjusting screw or adjusting knob to adjust the surveillance angle.**

**3.2. Tighten the adjusting screw or adjusting knob.**

No.	Description
1	Lens
2	Sun Shield
3*	Alarm Interface
4*	Audio Interface
5	Power Interface
6	Network Interface
7	Memory Card Slot
8	Reset Button

#### Note:

The items marked with the "\*" are only supported by certain camera models.  
Press RESET about 10 s when the camera is powering on or rebooting to restore the default settings, including the user name, password, IP address, and port No., etc.

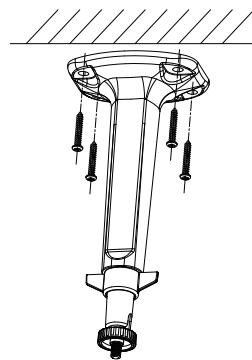
### Installation Steps:

#### 1. Wall Mounting

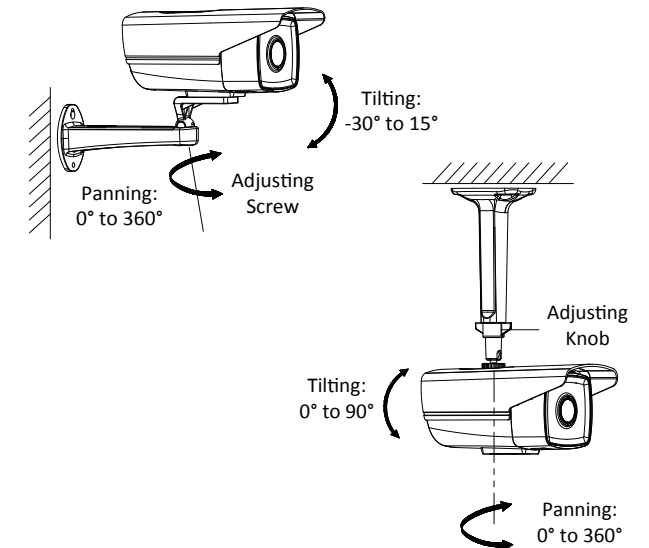
**1.1 Fix the bracket to the wall with the supplied screws.**

#### 2. Pendant Mounting

**2.1. Fix the bracket to the ceiling with the supplied screws.**



**2.2. Install the camera to the bracket with the supplied screws.**



For detailed instructions of further configuration, please refer to the user manual of network camera.