

Keyboard Panel

PTZKB833



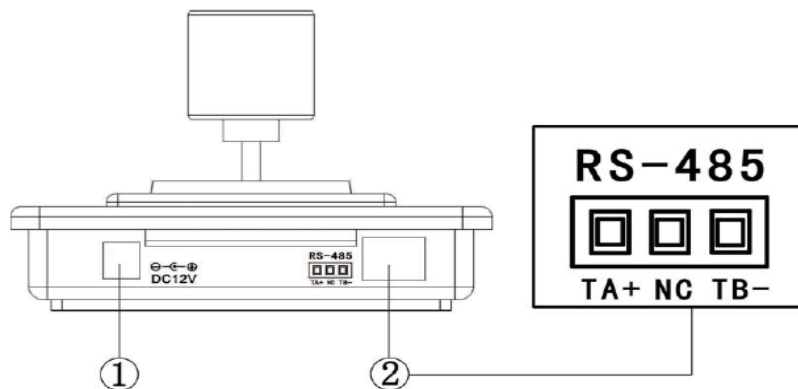
Properties

Communication between Speed Dome Camera and Controller	Port to multi-port and half duplex function
Baud Rate of Communication	2400bps/4800bps/9600bps
Communication connector	RS485
Communication distance	1.2km

General

Power Supply	DC12±1V/0.5A
Power Consumption	≤ 0.8W
Working Humidity	20 % to 80 %
Working Temperature	0 C~40 C (-32° F to + 104° F)
Dimensions (WxDxH)	130×64×190mm(5.1"×2.5"×7.5")
Weight	0.53Kg(1.17lb)

Rear Panel



- 1- Power input connector: input DC12V power.
- 2- Communication connector RS485