

LTB202

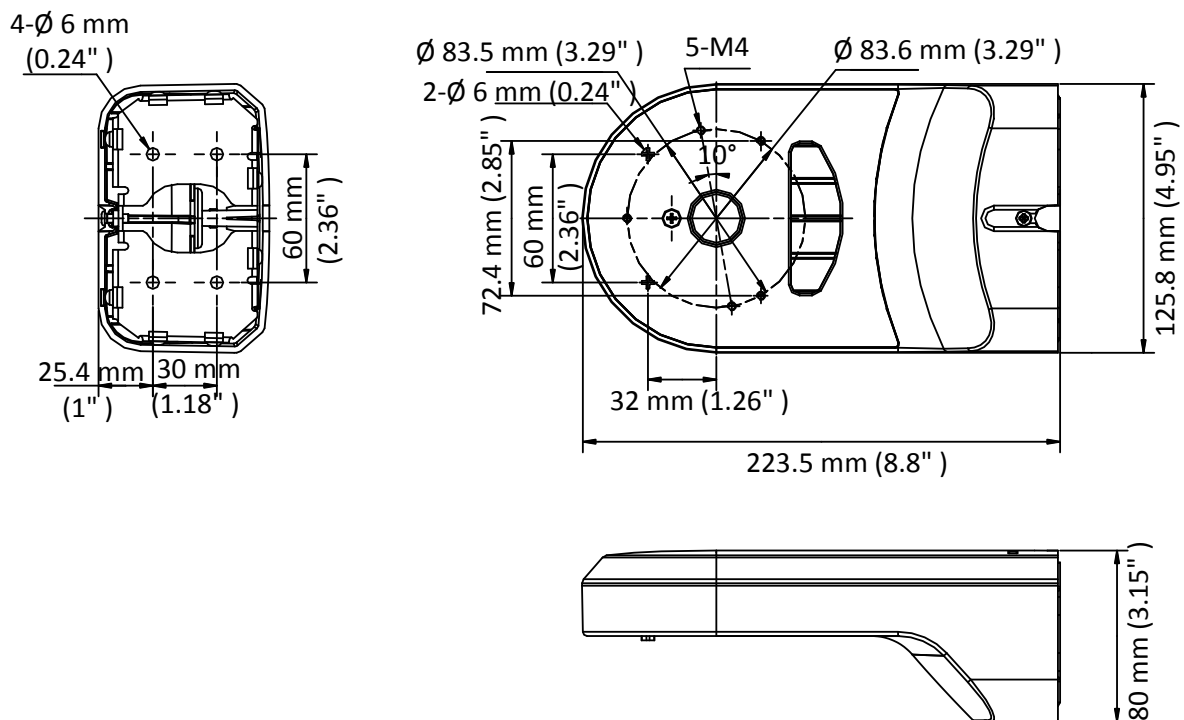
Wall Mounting Bracket for 2.5-inch PTZ Camera



Feature

- Plastic and steel with surface spray treatment
- Cable hole design facilitates the installation
- Applies to both indoor conditions, and outdoor conditions

Dimension



Parameter

Model	LTB202
Parameters	Wall Mount
Appearance	White
Material	Plastic and Steel
Dimension	223.5 mm × 125.8 mm × 80 mm (8.8" × 4.95" × 3.15")
Weight	480 g (1.06 lb.)

Note

- The wall must be capable of supporting at least 3 times as much as the total weight of the camera, and the mount.
- The mount's maximum load capacity is 3 kg (6.6 lb.).