

Wall Mount LTB301

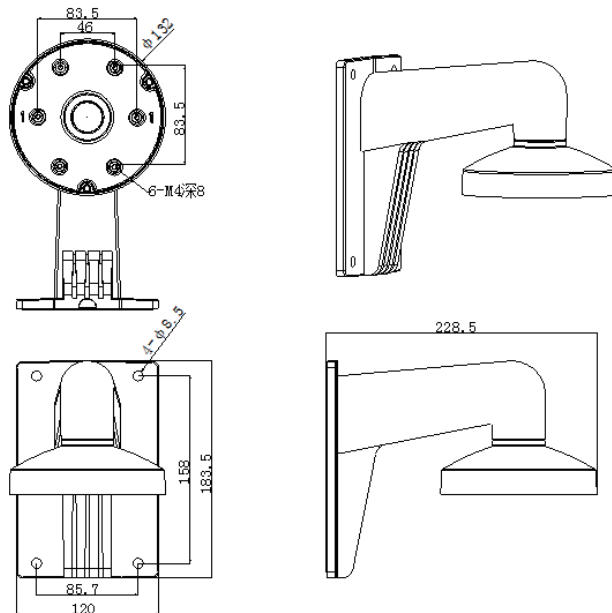
Designed for CMIP30XX / CMIP11XX



Specifications

Parameters	Wall Mount / Bracket for CMIP30XX / CMIP11XX (with adapter plate)
Materials	Aluminum alloy
Dimensions	Φ 5.2 × 7.2 × 9.0" (Φ132 × 183.5 × 228.5 mm)
Weight	1.9 lbs (870 g)

Dimensions:



©2015 LT Security, Inc. All Rights Reserved. White papers, data sheets, quick start guides, and/or user manuals are for reference only and may or may not be entirely up to date or accurate based upon the version or models. Product names mentioned herein may be the unregistered and/or registered trademarks of their respective owners.