

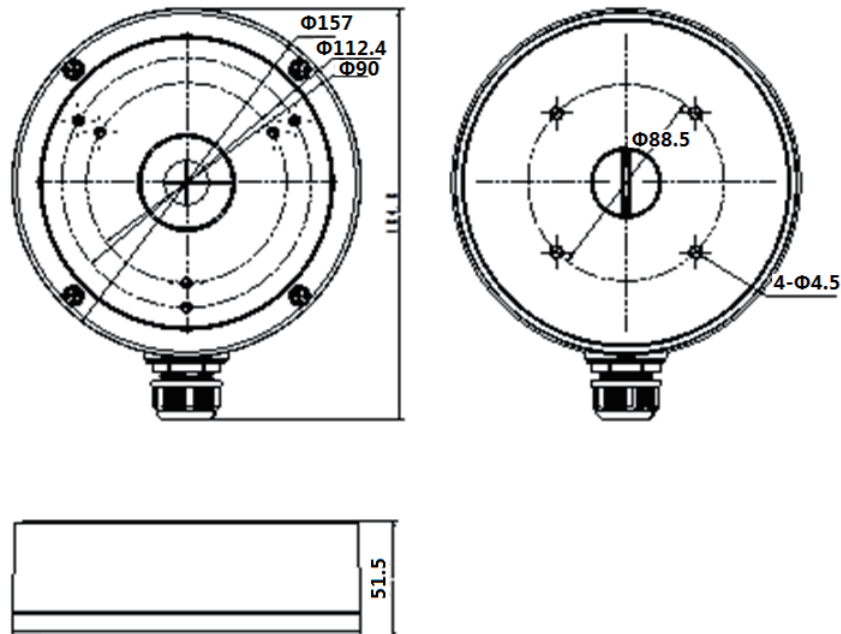
# Junction Box for Dome Camera LTB307B

Suitable for CMIP30XX/CMIP11XX/CMHT16XX



Properties	
Parameter	Junction Box for CMIP30XX/CMIP11XX/CMHT16XX
Construction	Aluminum alloy
Dimension	$\Phi 157 \times 51.5$ mm ( $\Phi 6.2'' \times 2.0''$ )
Weight	621g (1.4lbs)

## Dimensions:



©2019 LT Security, Inc. All Rights Reserved. White papers, data sheets, quick start guides, and/or user manuals are for reference only and may or may not be entirely up to date or accurate based upon the version or models. Product names mentioned herein may be the unregistered and/or registered trademarks of their respective owners.