

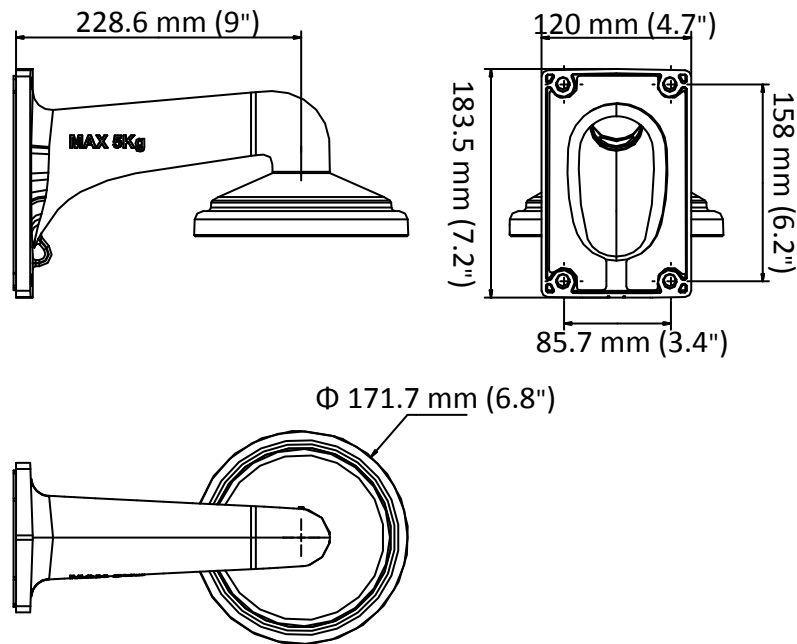
LTB412

Wall Mounting Bracket for 4-inch PTZ Camera

Feature

- Aluminum alloy material with surface spray treatment
- Waterproof design

Dimension



Parameter

Model	LTB412
Parameters	Wall Mounting Bracket for 4-inch PTZ Camera
Appearance	White
Material	Aluminum Alloy
Dimension	$\Phi 171.7\text{ mm} \times 158\text{ mm} \times 228.6\text{ mm}$ (6.8" \times 6.2" \times 9")
Weight	1120 g (3.57 lb.)

Note

- The bracket should be installed on the flat surface.
- The waterproof rubber is necessary for the outdoor application.
- The wall must be capable of supporting at least 3 times as much as the total weight of the camera and the bracket.
- The bracket's maximum load capacity is 5 Kg (11 lb.).