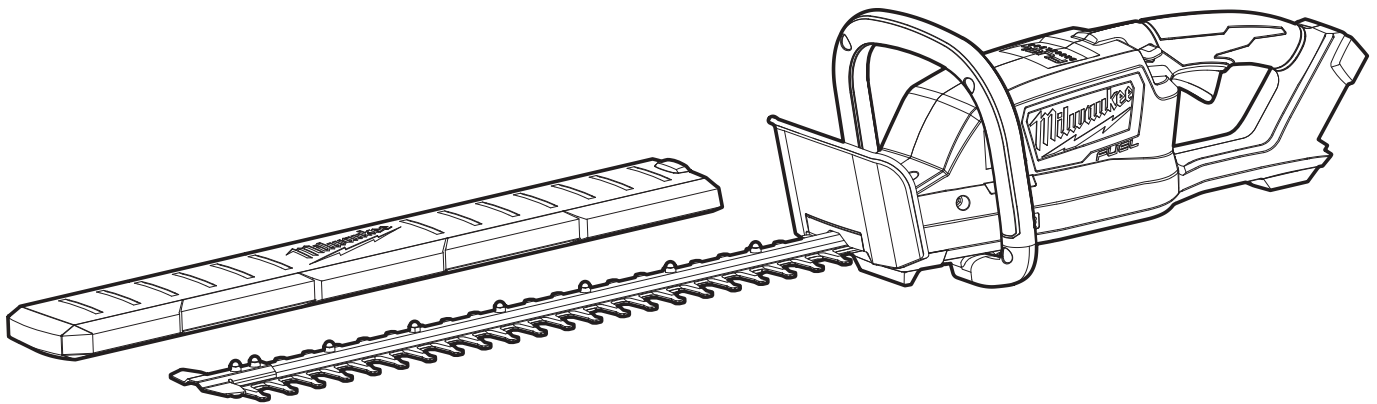




**OPERATOR'S MANUAL
MANUEL de L'UTILISATEUR
MANUAL del OPERADOR**



**Cat. No. / No de cat.
2726-20**

**M18™ HEDGE TRIMMER
TAILLE-HAIE M18™
CORTADORA DE SETOS M18™**



WARNING To reduce the risk of injury, user must read and understand operator's manual.

AVERTISSEMENT Afin de réduire le risque de blessures, l'utilisateur doit lire et bien comprendre le manuel.

ADVERTENCIA Para reducir el riesgo de lesiones, el usuario debe leer y entender el manual.

GENERAL POWER TOOL SAFETY WARNINGS

⚠WARNING Read all safety warnings, instructions, illustrations and specifications provided with this power tool. Failure to follow all instructions listed below may result in electric shock, fire and/or serious injury. **Save all warnings and instructions for future reference.** The term "power tool" in the warnings refers to your mains-operated (corded) power tool or battery-operated (cordless) power tool.

WORK AREA SAFETY

- **Keep work area clean and well lit.** Cluttered or dark areas invite accidents.
- **Do not operate power tools in explosive atmospheres, such as in the presence of flammable liquids, gases or dust.** Power tools create sparks which may ignite the dust or fumes.
- **Keep children and bystanders away while operating a power tool.** Distractions can cause you to lose control.

ELECTRICAL SAFETY

- **Power tool plugs must match the outlet. Never modify the plug in any way. Do not use any adapter plugs with earthed (grounded) power tools.** Unmodified plugs and matching outlets will reduce risk of electric shock.
- **Avoid body contact with earthed or grounded surfaces, such as pipes, radiators, ranges and refrigerators.** There is an increased risk of electric shock if your body is earthed or grounded.
- **Do not expose power tools to rain or wet conditions.** Water entering a power tool will increase the risk of electric shock.
- **Do not abuse the cord. Never use the cord for carrying, pulling or unplugging the power tool. Keep cord away from heat, oil, sharp edges or moving parts.** Damaged or entangled cords increase the risk of electric shock.
- **When operating a power tool outdoors, use an extension cord suitable for outdoor use.** Use of a cord suitable for outdoor use reduces the risk of electric shock.
- **If operating a power tool in a damp location is unavoidable, use a ground fault circuit interrupter (GFCI) protected supply.** Use of an GFCI reduces the risk of electric shock.

PERSONAL SAFETY

- **Stay alert, watch what you are doing and use common sense when operating a power tool. Do not use a power tool while you are tired or under the influence of drugs, alcohol or medication.** A moment of inattention while operating power tools may result in serious personal injury.
- **Use personal protective equipment. Always wear eye protection.** Protective equipment such as a dust mask, non-skid safety shoes, hard hat or hearing protection used for appropriate conditions will reduce personal injuries.
- **Prevent unintentional starting. Ensure the switch is in the off-position before connecting to power source and/or battery pack, picking up or carrying the tool.** Carrying power tools with your finger on the switch or energizing power tools that have the switch on invites accidents.
- **Remove any adjusting key or wrench before turning the power tool on.** A wrench or a key left attached to a rotating part of the power tool may result in personal injury.

- **Do not overreach. Keep proper footing and balance at all times.** This enables better control of the power tool in unexpected situations.
- **Dress properly. Do not wear loose clothing or jewelry. Keep your hair and clothing away from moving parts.** Loose clothes, jewelry or long hair can be caught in moving parts.
- **If devices are provided for the connection of dust extraction and collection facilities, ensure these are connected and properly used.** Use of dust collection can reduce dust-related hazards.
- **Do not let familiarity gained from frequent use of tools allow you to become complacent and ignore tool safety principles.** A careless action can cause severe injury within a fraction of a second.

POWER TOOL USE AND CARE

- **Do not force the power tool. Use the correct power tool for your application.** The correct power tool will do the job better and safer at the rate for which it was designed.
 - **Do not use the power tool if the switch does not turn it on and off.** Any power tool that cannot be controlled with the switch is dangerous and must be repaired.
 - **Disconnect the plug from the power source and/or remove the battery pack, if detachable, from the power tool before making any adjustments, changing accessories, or storing power tools.** Such preventive safety measures reduce the risk of starting the power tool accidentally.
 - **Store idle power tools out of the reach of children and do not allow persons unfamiliar with the power tool or these instructions to operate the power tool.** Power tools are dangerous in the hands of untrained users.
 - **Maintain power tools and accessories. Check for misalignment or binding of moving parts, breakage of parts and any other condition that may affect the power tool's operation. If damaged, have the power tool repaired before use.** Many accidents are caused by poorly maintained power tools.
 - **Keep cutting tools sharp and clean.** Properly maintained cutting tools with sharp cutting edges are less likely to bind and are easier to control.
 - **Use the power tool, accessories and tool bits etc. in accordance with these instructions, taking into account the working conditions and the work to be performed.** Use of the power tool for operations different from those intended could result in a hazardous situation.
 - **Keep handles and grasping surfaces dry, clean and free from oil and grease.** Slippery handles and grasping surfaces do not allow for safe handling and control of the tool in unexpected situations.
- ### BATTERY TOOL USE AND CARE
- **Recharge only with the charger specified by the manufacturer.** A charger that is suitable for one type of battery pack may create a risk of fire when used with another battery pack.
 - **Use power tools only with specifically designated battery packs.** Use of any other battery packs may create a risk of injury and fire.
 - **When battery pack is not in use, keep it away from other metal objects, like paper clips, coins, keys, nails, screws or other small metal objects, that can make a connection from one terminal to another.** Shorting the battery terminals together may cause burns or a fire.
 - **Under abusive conditions, liquid may be ejected from the battery; avoid contact. If contact acci-**

dentally occurs, flush with water. If liquid contacts eyes, additionally seek medical help. Liquid ejected from the battery may cause irritation or burns.

- **Do not use a battery pack or tool that is damaged or modified.** Damaged or modified batteries may exhibit unpredictable behavior resulting in fire, explosion or risk of injury.
- **Do not expose a battery pack or tool to fire or excessive temperature.** Exposure to fire or temperature above 265°F (130°C) may cause explosion.
- **Follow all charging instructions and do not charge the battery pack or tool outside the temperature range specified in the instructions.** Charging improperly or at temperatures outside the specified range may damage the battery and increase the risk of fire.

SERVICE

- **Have your power tool serviced by a qualified repair person using only identical replacement parts.** This will ensure that the safety of the power tool is maintained.
- **Never service damaged battery packs.** Service of battery packs should only be performed by the manufacturer or authorized service providers.











SPECIFIC SAFETY RULES FOR HEDGE TRIMMERS

- **⚠ DANGER** Keep hands away from blade. Contact with blade will result in serious personal injury. Keep all parts of the body away from the cutter blade. Do not remove cut material or hold material to be cut when blades are moving. Make sure the switch is off when clearing jammed material. Blades coast after turned off. A moment of inattention while operating the trimmer may result in serious personal injury.
- **Use both hands when operating the trimmer.** Using one hand could cause loss of control and result in serious personal injury.
- **Carry the trimmer by the handle with the cutter blade stopped. When transporting or storing the trimmer always fit the cutting device cover.** Proper handling of the trimmer will reduce possible personal injury from the cutter blades.
- **Hold the power tool by insulated gripping surfaces only, because the cutter blade may contact hidden wiring.** Cutter blades contacting a "live" wire may make exposed metal parts of the power tool "live" and could give the operator an electric shock.
- **Do not use tool while standing on a ladder, rooftop, or unstable support.** Stable footing on a solid surface enables better control of the tool in unexpected situations.
- **Always wear eye protection, hearing protection, and protective clothing and footwear. Wear heavy, long pants, long sleeves, boots, and gloves. Contain long hair.** Do not wear loose clothing or jewelry. Do not wear short pants, sandals, or go barefoot.
- **Risk of eye injury. Keep bystanders at least 15' away during use. Objects may be thrown or ricochet in all directions.**
- **Handles and guard must be properly installed during use.** Using the trimmer without both handles and the guard installed can result in serious personal injury.
- **Use both hands when operating the trimmer. Maintain a firm grip.** Using one hand could cause loss of control and result in serious injury.
- **Do not use guard as a handle.**
- **Before starting the trimmer check the work area for hidden objects, such as wires, fencing, etc.**

Striking a solid object could cause loss of control and serious personal injury.

- **Do not start the trimmer with blade in contact with an object.** Allow tool to reach full speed before starting the job.
- **Never cut any material with a diameter larger than 3/4".** The tool may stall or kickback, causing a risk of injury.
- **Always turn off the tool between cuts or when transporting from one location to another.** Do not carry tool with finger on the trigger. Accidental starting can cause serious personal injury.
- **Before setting down the tool, turn the switch off, ensure the blade has stopped, and remove the battery pack.**
- **Keep tool clean of trimmings and debris.**
- **Always remove the battery pack when tool is not in use.**
- **Never use a hose to clean the tool.** Keep handles dry, clean, and free from debris. See "Maintenance" for cleaning instructions.
- **Maintain labels and nameplates.** These carry important information. If unreadable or missing, contact a MILWAUKEE service facility for a free replacement.
- **⚠ WARNING** Some dust created by power sanding, sawing, grinding, drilling, and other construction activities contains chemicals known to cause cancer, birth defects or other reproductive harm. Some examples of these chemicals are:
 - lead from lead-based paint
 - crystalline silica from bricks and cement and other masonry products, and
 - arsenic and chromium from chemically-treated lumber.
 Your risk from these exposures varies, depending on how often you do this type of work. To reduce your exposure to these chemicals: work in a well ventilated area, and work with approved safety equipment, such as those dust masks that are specially designed to filter out microscopic particles.

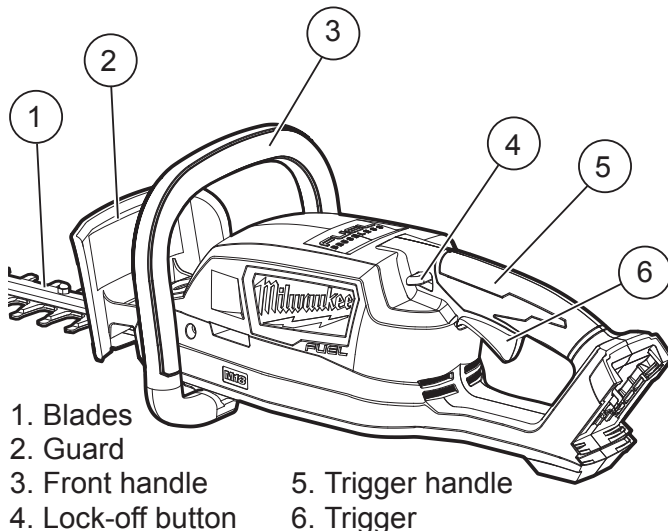
SYMBOLGY

	Volts
	Direct Current
n_0 XXXX min ⁻¹	No Load Strokes per Minute (SPM)
	Safety Alert Symbol
	Read Operator's Manual
	Always wear eye protection, hearing protection, and protective clothing and footwear.
	Always wear gloves and personal protective equipment.
	Keep hands, feet, and body away from blade.
	Do not use in rain or wet locations.
	Keep bystanders 15' away during use.
	UL Listing for Canada and U.S.

SPECIFICATIONS

Cat. No.....	2726-20
Volts.....	18 DC
Battery Type.....	M18™
Charger Type.....	M18™
Blade Length.....	24"
Cutting Capacity (diameter).....	3/4"
Cutting Speed.....	3 400 SPM

FUNCTIONAL DESCRIPTION



ASSEMBLY

⚠WARNING Recharge only with the charger specified for the battery. For specific charging instructions, read the operator's manual supplied with your charger and battery.

Removing/Inserting the Battery

To remove the battery, push in the release buttons and pull the battery pack away from the tool.

⚠WARNING Always remove battery pack before changing or removing accessories.

To insert the battery, slide the pack into the body of the tool. Make sure it latches securely into place.

⚠WARNING Only use accessories specifically recommended for this tool. Others may be hazardous.

Blade Cover

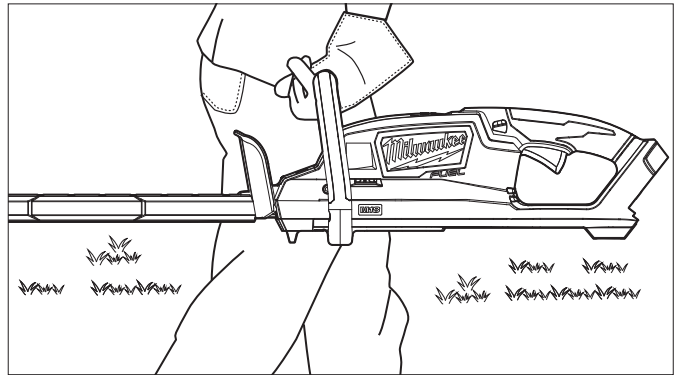
Always place the blade cover over the blade before moving from one job to another, storing or transporting the tool. **WARNING!** Blade is sharp. Keep hands and body away from blade.

1. Remove battery pack.
2. Slide the blade cover over the blade. It may be necessary to push with some force as blade cover reaches the front guard.
3. To remove, pull blade cover off of blade. It may be necessary to pull with some force until cover clears the detent near the guard.

⚠WARNING Always turn off the tool between cuts or when transporting from one location to another. Do not carry tool with finger on the trigger. Accidental starting can cause serious personal injury.

Transporting

Always remove the battery pack and cover the blade before transporting. Carry tool by the front handle, with blade behind you. Do not carry tool by trigger handle.



⚠WARNING To reduce the risk of injury, always remove the battery pack from the tool before lubricating.

Lubricating the Blade

To extend cutting life, lubricate the trimmer blades before and after each use and before storing.

1. Remove the battery pack.
2. Apply a lightweight machine oil along both sides of the top blade.

OPERATION

⚠WARNING To reduce the risk of injury, always wear safety goggles or glasses with side shields.

Use only recommended accessories. Others may be hazardous.

Keep bystanders at least 15' away during use. Objects may be thrown or ricochet in all directions.

Starting and Stopping the Tool

1. **WARNING!** Always remove the blade cover before use.
2. Hold the front and trigger handles securely. **WARNING!** Blade is sharp. Keep hands and body away from blade.
3. To **start** the tool, push the lock-off button down while pulling the trigger. Allow the motor to reach full speed before starting to cut.
4. To **stop** the tool, release the trigger.
5. Always wait for blades to stop before setting down.

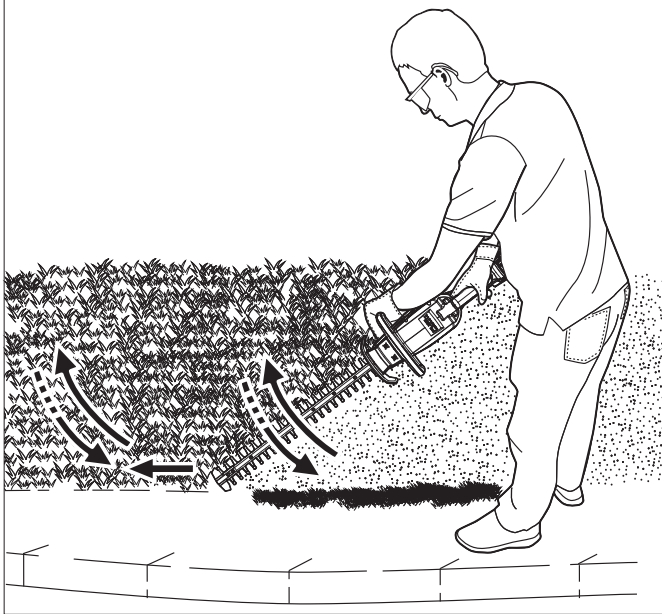
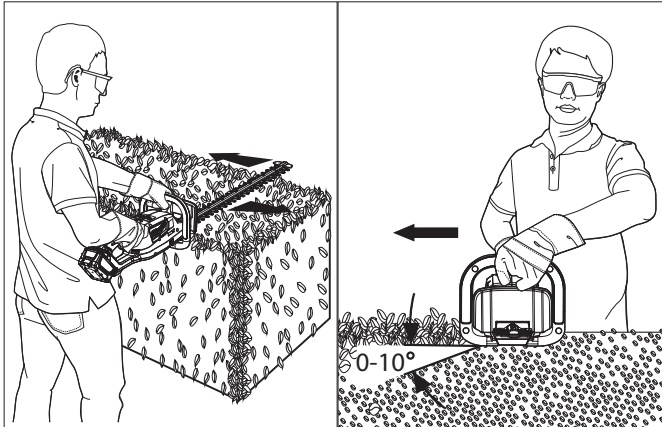
⚠WARNING To reduce the risk of injury, always keep both hands on the handles. Do not remove cut material or hold material to be cut when blades are moving.

Cutting Tips

⚠DANGER Never cut near electric cords or lines. If blade cuts into or jams on any electrical cord or line, CUTTER BLADES MAY BECOME "LIVE" AND SHOCK THE OPERATOR! Disconnect the electrical service to the electrical line before attempting to free the blade from the line. Contact with the blade, line, or other live electrical part could result in death or serious injury.

Before starting the tool check the work area for hidden objects, such as wires, fencing, etc. Striking a solid object could cause loss of control and serious personal injury.

- The tool can be held in multiple orientations depending on the grip used on the front handle.
- Use a sweeping, back and forth motion, moving down or across the work.
- Move the tool at a slower pace when cutting thicker branches. Do not force the tool. The blade will slow and could bind.
- Do not cut branches with a diameter greater than 3/4". Use a Sawzall® or Hackzall® reciprocating saw with a pruning blade for thicker branches.
- If blades jam, stop the tool and remove the battery pack. **WARNING!** Use caution when removing debris from the blades.
- For straight cuts, stretch a string along the work area just below the desired cut height. Use the string as a guide when cutting. Hold the tool at a 0° to 10° angle when cutting a flat top.



MAINTENANCE

WARNING To reduce the risk of injury, always unplug the charger and remove the battery pack from the charger or tool before performing any maintenance. Never disassemble the tool, battery pack or charger. Contact a MILWAUKEE service facility for ALL repairs.

Maintaining Tool

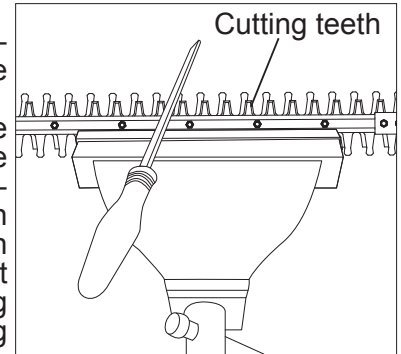
Keep your tool, battery pack and charger in good repair by adopting a regular maintenance program. Inspect your tool for issues such as undue noise, misalignment or binding of moving parts, breakage of parts, or any other condition that may affect the tool

operation. Return the tool, battery pack, and charger to a MILWAUKEE service facility for repair. After six months to one year, depending on use, return the tool, battery pack and charger to a MILWAUKEE service facility for inspection.

If the tool does not start or operate at full power with a fully charged battery pack, clean the contacts on the battery pack. If the tool still does not work properly, return the tool, charger and battery pack, to a MILWAUKEE service facility for repairs.

Sharpening Blade

1. Stop the tool so the teeth appear in an offset position (see picture).
2. Remove the battery pack from the tool.
3. Secure the blade in a vise and file the exposed cutting surface of each cutting blade tooth with a file. Do not change the cutting angle of the cutting teeth.
4. To sharpen the other side of the teeth, restart the tool to offset the teeth in the opposite position. Remove the battery pack before re-securing in the vise.



WARNING To reduce the risk of personal injury and damage, never immerse your tool, battery pack or charger in liquid or allow a liquid to flow inside them.

Cleaning

Clean dust and debris from vents. Keep handles clean, dry and free of oil or grease. Use only mild soap and a damp cloth to clean, since certain cleaning agents and solvents are harmful to plastics and other insulated parts. Some of these include gasoline, turpentine, lacquer thinner, paint thinner, chlorinated cleaning solvents, ammonia and household detergents containing ammonia. Never use flammable or combustible solvents around tools.

Repairs

For repairs, return the tool, battery pack and charger to the nearest service center.

ACCESSORIES

WARNING Use only recommended accessories. Others may be hazardous.

For a complete listing of accessories, go online to www.milwaukeetool.com or contact a distributor.

SERVICE - UNITED STATES

1-800-SAWDUST (1.800.729.3878)

Monday-Friday, 7:00 AM - 6:30 PM CST

or visit www.milwaukeetool.com

Contact Corporate After Sales Service Technical Support with technical, service/repair, or warranty questions.

Email: metproductsupport@milwaukeetool.com

Become a Heavy Duty Club Member at www.milwaukeetool.com to receive important notifications regarding your tool purchases.

SERVICE - CANADA

Milwaukee Tool (Canada) Ltd

1.800.268.4015

Monday-Friday, 7:00 AM - 4:30 PM CST

or visit www.milwaukeetool.ca

LIMITED WARRANTY USA & CANADA

Every MILWAUKEE Outdoor Power Equipment Product* (see exceptions below) is warranted to the original purchaser only to be free from defects in material and workmanship. Subject to certain exceptions, MILWAUKEE will repair or replace any part on an outdoor power equipment product which, after examination, is determined by MILWAUKEE to be defective in material or workmanship for a period of three (3) years after the date of purchase unless otherwise noted. Return of the outdoor power equipment to a MILWAUKEE factory Service Center location or participating MILWAUKEE Authorized Service Station, freight prepaid and insured, is required. A copy of the proof of purchase should be included with the return product. This warranty does not apply to damage that MILWAUKEE determines to be from repairs made or attempted by anyone other than MILWAUKEE authorized personnel, misuse, alterations, abuse, normal wear and tear, lack of maintenance, or accidents.

Normal Wear: Many outdoor power equipment products need periodic parts replacement and service to achieve best performance. This warranty does not cover repair when normal use has exhausted the life of a part including, but not limited to trimmer head, trimmer head spool, cutting lines, blades, chains, blower tubes, brushes, o-rings, and seals. *This warranty does not cover Cordless Battery Packs or Reconditioned Product. There are separate and distinct warranties available for these products.

MILWAUKEE does not cover freight or labor charges associated with the inspection and testing of outdoor power equipment products which are found by MILWAUKEE not to be a valid warranty claim. A valid warranty claim must be substantiated by the discovery of defective material or workmanship by MILWAUKEE.

ACCEPTANCE OF THE EXCLUSIVE REPAIR AND REPLACEMENT REMEDIES DESCRIBED HEREIN IS A CONDITION OF THE CONTRACT FOR THE PURCHASE OF EVERY MILWAUKEE PRODUCT. IF YOU DO NOT AGREE TO THIS CONDITION, YOU SHOULD NOT PURCHASE THE PRODUCT. IN NO EVENT SHALL MILWAUKEE BE LIABLE FOR ANY INCIDENTAL, SPECIAL, CONSEQUENTIAL OR PUNITIVE DAMAGES, OR FOR ANY COSTS, ATTORNEY FEES, EXPENSES, LOSSES OR DELAYS ALLEGED TO BE AS A CONSEQUENCE OF ANY DAMAGE TO, FAILURE OF, OR DEFECT IN ANY PRODUCT INCLUDING, BUT NOT LIMITED TO, ANY CLAIMS FOR LOSS OF PROFITS. SOME STATES DO NOT ALLOW THE EXCLUSION OR LIMITATION OF INCIDENTAL OR CONSEQUENTIAL DAMAGES, SO THE ABOVE LIMITATION OR EXCLUSION MAY NOT APPLY TO YOU. THIS WARRANTY IS EXCLUSIVE AND IN LIEU OF ALL OTHER EXPRESS WARRANTIES, WRITTEN OR ORAL. TO THE EXTENT PERMITTED BY LAW, MILWAUKEE DISCLAIMS ANY IMPLIED WARRANTIES, INCLUDING WITHOUT LIMITATION ANY IMPLIED WARRANTY OF MERCHANTABILITY OR FITNESS FOR A PARTICULAR USE OR PURPOSE; TO THE EXTENT SUCH DISCLAIMER IS NOT PERMITTED BY LAW, SUCH IMPLIED WARRANTIES ARE LIMITED TO THE DURATION OF THE APPLICABLE EXPRESS WARRANTY AS DESCRIBED ABOVE. SOME STATES DO NOT ALLOW LIMITATIONS ON HOW LONG AN IMPLIED WARRANTY LASTS, SO THE ABOVE LIMITATION MAY NOT APPLY TO YOU, THIS WARRANTY GIVES YOU SPECIFIC LEGAL RIGHTS, AND YOU MAY ALSO HAVE OTHER RIGHTS WHICH VARY FROM STATE TO STATE.

This warranty applies to product sold in the U.S.A. and Canada only. Please consult the 'Service Center Search' in the Parts & Service section of MILWAUKEE's website www.milwaukeetool.com or call 1.800.SAWDUST (1.800.729.3878) to locate your nearest service facility for warranty and non-warranty service on a Milwaukee electric power tool.

LIMITED WARRANTY - MEXICO, CENTRAL AMERICA & CARIBBEAN

TECHTRONIC INDUSTRIES' warranty is for 5 year since the original purchase date.

This warranty card covers any defect in material and workmanship on this Power Tool.

To make this warranty valid, present this warranty card, sealed/stamped by the distributor or store where you purchased the product, to the Authorized Service Center (ASC). Or, if this card has not been sealed/stamped, present the original proof of purchase to the ASC. Call toll-free 1 800 832 1949 to find the nearest ASC, for service, parts, accessories or components.

Procedure to make this warranty valid

Take the product to the ASC, along with the warranty card sealed/stamped by the distributor or store where you purchased the product, and there any faulty piece or component will be replaced without cost for you. We will cover all freight costs relative with this warranty process.

Exceptions

This warranty is not valid in the following situations:

a) When the product is used in a different manners from the end-user guide or instruction manual.

b) When the conditions of use are not normal.

c) When the product was modified or repaired by people not authorized by TECHTRONIC INDUSTRIES.

Note: If cord set is damaged, it should be replaced by an Authorized Service Center to avoid electric risks.

SERVICE AND ATTENTION CENTER:

Presidente Masarik No.29 Piso 7

Col. Polanco V Sección

Miguel Hidalgo C.P.11560 Mexico, DF.

Ph. 52 55 4160-3547

IMPORTED AND COMMERCIALIZED BY:

TECHTRONIC INDUSTRIES MEXICO, .S.A. DE C.V.

Presidente Masarik No.29 Piso 7

Col. Polanco V Sección

Miguel Hidalgo C.P.11560 Mexico, DF.

Model: _____

Date of Purchase: _____

Distributor or Store Stamp:

RÈGLES DE SÉCURITÉ GÉNÉRALES RELATIVES AUX OUTILS ÉLECTRIQUES

AVERTISSEMENT Lire toutes les consignes de sécurité, consignes, illustrations et spécifications fournies avec cet outil électrique. Ne pas suivre l'ensemble des règles et instructions peut entraîner une électrocution, un incendie ou des blessures graves. **Conserver les règles et les instructions à des fins de référence ultérieure.** Le terme «outil électrique» figurant dans les avertissements ci-dessous renvoie à l'outil électrique à alimentation par le réseau (à cordon) ou par batterie (sans fil).

SÉCURITÉ DU LIEU DE TRAVAIL

- **Veillez à ce que l'aire de travail soit propre et bien éclairée.** Le désordre et le manque de lumière favorisent les accidents.
- **Ne pas utiliser d'outils électriques dans des atmosphères explosives, par exemple en présence de liquides, gaz ou poussières inflammables.** Les outils électriques produisent des étincelles risquant d'enflammer les poussières ou vapeurs.
- **S'assurer que les enfants et les curieux se trouvent à une bonne distance au moment d'utiliser un outil électrique.** Les distractions peuvent causer une perte de contrôle.

SÉCURITÉ ÉLECTRIQUE

- **Les fiches des outils électriques doivent correspondre à la prise secteur utilisée. Ne jamais modifier la fiche, de quelque façon que ce soit. Ne jamais utiliser d'adaptateurs de fiche avec des outils mis à la terre.** Les fiches et prises non modifiées réduisent le risque de choc électrique.
- **Éviter tout contact avec des surfaces mises à la terre comme des tuyaux, des radiateurs, des cuisinières et des réfrigérateurs.** Le risque de choc électrique est accru lorsque le corps est mis à la terre.
- **Ne pas exposer les outils électriques à l'eau ou l'humidité.** La pénétration d'eau dans ces outils accroît le risque de choc électrique.
- **Ne pas maltraiter le cordon d'alimentation. Ne jamais utiliser le cordon d'alimentation pour transporter l'outil électrique et ne jamais débrancher ce dernier en tirant sur le cordon. Garder le cordon à l'écart**

de la chaleur, de l'huile, des objets tranchants et des pièces en mouvement. Un cordon endommagé ou emmêlé accroît le risque de choc électrique.

- **Pour les travaux à l'extérieur, utiliser un cordon spécialement conçu à cet effet.** Utiliser un cordon conçu pour l'usage extérieur réduit les risques de choc électrique.
- **Si l'utilisation d'un outil électrique est inévitable dans un endroit humide, utiliser une source d'alimentation munie d'un disjoncteur de fuite de terre.** L'utilisation d'un disjoncteur de fuite de terre réduit le risque de choc électrique.

SÉCURITÉ INDIVIDUELLE

- **Rester attentif, prêter attention au travail et faire preuve de bon sens lors de l'utilisation de tout outil électrique. Ne pas utiliser cet appareil en cas de fatigue ou sous l'influence de l'alcool, de drogues ou de médicaments.** Un moment d'inattention pendant l'utilisation d'un outil électrique peut entraîner des blessures graves.
- **Porter l'équipement de protection individuel requis. Toujours porter une protection oculaire.** Selon les conditions, porter aussi un masque antipoussières, des bottes de sécurité antidérapantes, un casque protecteur ou une protection auditive afin de réduire les blessures.
- **Empêcher les démarrages accidentels. S'assurer que la gâchette est en position d'arrêt avant de brancher l'outil à une source de courant, d'insérer la batterie, de le ramasser ou de le transporter.** Le fait de transporter un outil électrique en gardant le doigt sur la gâchette ou de mettre sous tension un outil électrique lorsque la gâchette est en position de marche favorise les accidents.
- **Retirer les clés de réglage avant de mettre l'outil en marche.** Une clé laissée sur une pièce rotative de l'outil peut causer des blessures.
- **Ne pas travailler hors de portée. Toujours se tenir bien campé et en équilibre.** Une bonne stabilité procure un meilleur contrôle de l'outil électrique en cas d'imprévu.
- **Porter une tenue appropriée. Ne porter ni vêtements amples, ni bijoux. Garder les cheveux et les vêtements à l'écart des pièces en mouvement.** Les vêtements flottants, les bijoux ou les cheveux longs risquent d'être happés par les pièces en mouvement.
- **Si les outils sont équipés de dispositifs de dépoussiérage, s'assurer qu'ils sont connectés et correctement utilisés.** L'utilisation d'un collecteur de poussière permet de réduire les dangers liés à la poussière.
- **Ne pas laisser la familiarité avec l'outil acquise par une utilisation fréquente vous rendre suffisant et vous amener à ignorer les règles de sécurité.** Une utilisation négligée peut causer une blessure grave en une fraction de seconde.

UTILISATION ET ENTRETIEN DE L'OUTIL ÉLECTRIQUE

- **Ne pas forcer l'outil électrique. Utiliser l'outil électrique approprié pour l'application.** Un outil électrique approprié exécutera le travail mieux et de façon moins dangereuse s'il est utilisé dans les limites prévues.
- **Ne pas utiliser l'outil électrique si le commutateur ne permet pas de le mettre en marche ou de l'arrêter.** Tout outil électrique qui ne peut pas être contrôlé par son commutateur est dangereux et doit être réparé.
- **Débrancher l'outil et/ou retirer le bloc-piles, si possible, avant d'effectuer des réglages, de changer d'accessoire ou de remiser l'outil.** Ces mesures de sécurité préventives réduisent les risques de démarrage accidentel de l'outil.

- **Entreposer l'outil électrique hors de la portée des enfants et interdire à quiconque de l'utiliser si la personne ne connaît pas bien le produit ou les instructions.** Les outils électriques sont dangereux dans les mains d'utilisateurs novices.
- **Entretenir les outils électriques et les accessoires. Vérifier qu'aucune pièce mobile n'est mal alignée ou bloquée, qu'aucune pièce n'est brisée et s'assurer qu'aucun autre problème risque d'affecter le bon fonctionnement de l'outil. En cas de dommages, faire réparer l'outil avant de l'utiliser.** Plusieurs accidents sont causés par des produits mal entretenus.
- **Garder les outils bien affûtés et propres.** Des outils correctement entretenus et dont les tranchants sont bien affûtés risquent moins de se bloquer et sont plus faciles à contrôler.
- **Utiliser l'outil électrique, les accessoires, les embouts etc. conformément à ces instructions en tenant compte des conditions de travail et de la tâche à effectuer.** L'usage d'un outil électrique pour des applications pour lesquelles il n'est pas conçu peut être dangereux.
- **Garder les poignées et les surfaces de préhension sèches, propres et exemptes d'huile ou de graisse.** Des poignées et des surfaces de préhension glissantes ne permettent pas de manipuler et de contrôler l'outil en toute sécurité en cas de situation imprévue.

UTILISATION ET ENTRETIEN DE LA BATTERIE

- **Pour recharger le bloc-piles, utiliser seulement le chargeur spécifié par le fabricant.** Un chargeur pouvant convenir à un type de bloc-piles peut entraîner un risque d'incendie lorsqu'il est utilisé avec un autre type de bloc-piles.
- **N'utiliser l'outil électrique qu'avec une batterie recommandée.** L'utilisation de tout autre bloc-piles peut créer un risque de blessures et d'incendie.
- **Lorsque le bloc-piles n'est pas utilisé, le tenir éloigné des objets en métal tels que les trombones, les pièces de monnaie, les clés, les clous, les vis ou d'autres petits objets métalliques qui pourraient connecter les bornes.** Le court-circuitage des bornes d'une pile peut entraîner des brûlures ou un incendie.
- **Éviter tout contact avec le liquide pouvant être éjecté de la pile en cas de manutention abusive. En cas de contact accidentel, rincer immédiatement les parties atteintes avec de l'eau. Si le liquide entre en contact avec les yeux, consulter un médecin.** Le liquide éjecté des piles peut causer des irritations ou des brûlures.
- **N'utiliser aucun bloc-piles ni aucun outil ayant été endommagé ou modifié.** Des piles endommagées ou modifiées peuvent adopter un comportement imprévisible pouvant causer un incendie, une explosion ou le risque de blessures.
- **Ne pas exposer le bloc-piles ou l'outil aux flammes ou à une température excessive.** Une exposition aux flammes ou à une température supérieure à 130°C (265°F) peut causer une explosion.
- **Suivre toutes les instructions de charge et ne pas charger le bloc-piles ou l'outil en dehors de la plage de température spécifiée.** Une charge incorrecte ou à des températures en dehors de la plage spécifiée peut endommager la pile et augmenter le risque d'incendie.

ENTRETIEN

- **Les réparations de l'outil électrique doivent être confiées à un technicien qualifié, utilisant exclusivement des pièces identiques à celles d'origine.** Le maintien de la sûreté de l'outil électrique sera ainsi assuré.

- **Ne jamais effectuer la réparation d'un bloc-piles endommagé.** La réparation du bloc-piles doit être réalisée par le fabricant ou les fournisseurs de service agréés uniquement.


RÈGLES DE SÉCURITÉ SPÉCIFIQUES POUR TAILLE-HAIES

- **⚠ DANGER** Garder les mains à l'écart de la lame. Le contact avec la lame peut causer des blessures graves. N'approcher aucune partie du corps de la lame de coupe. Ne pas enlever le matériau coupé ni tenir le matériau à couper lorsque les lames sont en mouvement. S'assurer que l'interrupteur est fermé lors de l'élimination du matériau resté coincé. Les lames continuent de tourner après la mise hors tension. Un moment d'inattention pendant l'utilisation du taille-haie peut entraîner une grave blessure.
- **Utiliser le taille-haie uniquement avec les deux mains.** L'utilisation d'une seule main pourrait causer la perte de contrôle et entraîner des blessures corporelles graves.
- **Porter le taille-haie par sa poignée et avec la lame à l'arrêt. Pendant le transport ou l'entreposage du taille-haie, toujours recouvrir le dispositif de coupe avec sa housse de protection.** Une manipulation appropriée du taille-haie réduira l'éventualité d'une blessure causée par les lames.
- **Tenir l'outil électrique uniquement par les surfaces de prise isolées, car la lame risque d'entrer en contact avec le câblage non apparent.** Le contact des lames de coupe avec un fil sous tension risque d'électrifier les pièces métalliques exposées de l'outil électrique et peut électrocuter l'utilisateur.
- **Ne pas utiliser l'outil sur une échelle, un échafaudage, un toit ou un support instable.** Une position stable sur une surface ferme permet de mieux contrôler l'outil en cas de situation imprévue.
- **Toujours porter une protection oculaire, une protection auditive et des vêtements et des chaussures de protection. Porter des pantalons longs, des manches longues, des bottes et des gants.** Attacher ou couvrir les cheveux longs. Ne porter ni vêtements amples ni bijoux. Ne pas porter de pantalons courts, de sandales et ne pas travailler pieds nus.
- **Risque de lésions oculaires. Pendant l'utilisation, garder les badauds à une distance minimale de 4,5 m (15 pi). Des objets peuvent être projetés ou ricocher dans toutes les directions.**
- **Les poignées et la protection doivent être correctement installées pendant l'utilisation.** L'utilisation du taille-haie sans les deux poignées et la protection installées peut entraîner des blessures graves.
- **Utiliser le taille-haie uniquement avec les deux mains. Maintenir une prise ferme.** L'utilisation d'une seule main pourrait causer la perte de contrôle et entraîner des blessures graves.
- **Ne pas utiliser la protection comme une poignée.**
- **Avant de démarrer le taille-haie, vérifier la zone de travail pour objets cachés, tels que des fils, des clôtures, etc.** Frapper un objet solide pourrait entraîner une perte de contrôle et des blessures graves.
- **Ne pas démarrer le taille-haie avec la lame en contact avec un objet.** Laisser l'outil atteindre sa pleine vitesse avant de commencer le travail.
- **Ne jamais couper de plantes avec un diamètre de plus de 19 mm (3/4").** L'outil risque de caler ou reculer, entraînant un risque de blessure.

- **Toujours éteindre l'outil entre les coupes ou lors du transport d'un endroit à l'autre.** Ne pas transporter l'outil avec le doigt sur la gâchette. Un démarrage accidentel peut provoquer des blessures graves.
- **Avant de poser l'outil, éteindre l'interrupteur, s'assurer que la lame s'est arrêtée et retirer le bloc-piles.**
- **Garder l'outil exempt de rognures et de débris.**
- **Toujours retirer le bloc-piles lorsque l'outil n'est pas utilisé.**
- **Ne jamais utiliser un flexible pour nettoyer l'outil.** Garder les poignées sèches, propres et exemptes de débris. Voir la section « Entretien » pour les instructions de nettoyage.
- **Maintenir en l'état les étiquettes et les plaques d'identification.** Des informations importantes y figurent. Si elles sont illisibles ou manquantes, contacter un centre de services et d'entretien MILWAUKEE pour un remplacement gratuit.

- **⚠ AVERTISSEMENT** Certaines poussières générées par les activités de ponçage, de coupe, de rectification, de perçage et d'autres activités de construction contiennent des substances considérées être la cause de malformations congénitales et de troubles de l'appareil reproducteur. Parmi ces substances figurent:
 - le plomb contenu dans les peintures à base de plomb;
 - la silice cristalline des briques, du ciment et d'autres matériaux de maçonnerie, ainsi que
 - l'arsenic et le chrome des sciages traités chimiquement.
 Les risques encourus par l'opérateur envers ces expositions varient en fonction de la fréquence de ce type de travail. Pour réduire l'exposition à ces substances chimiques, l'opérateur doit: travailler dans une zone bien ventilée et porter l'équipement de sécurité approprié, tel qu'un masque anti-poussière spécialement conçu pour filtrer les particules microscopiques.

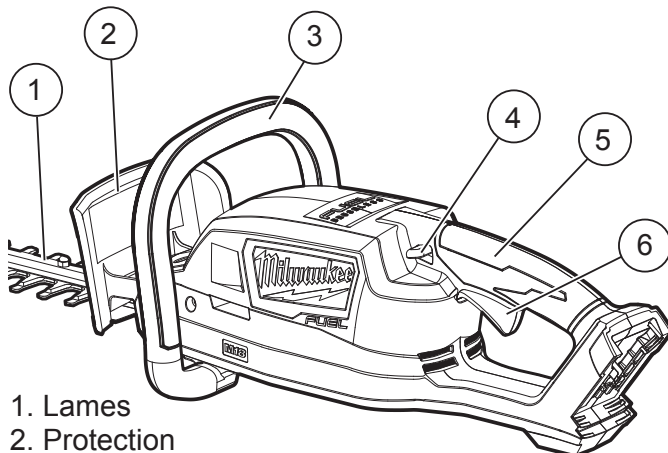
PICTOGRAPHIE

-  Volts
-  Courant direct
-  n° XXXX min⁻¹ Tours par minute (tr/min) à vide
-  Symbole d'alerte de sécurité
-  Lire le manuel d'utilisation.
-  Toujours porter une protection oculaire, une protection auditive et des vêtements et des chaussures de protection.
-  Toujours porter des gants et des équipements de protection individuelle.
-  Garder les mains, les pieds et le corps à l'écart de la lame.
-  Ne pas utiliser par temps de pluie ni dans des endroits humides.
-  Pendant l'utilisation, garder les badauds à une distance minimale de 4,5 m (15 pi).
-  UL Listing Mark pour Canada et États-unis

SPECIFICATIONS

No de Cat.....	2726-20
Volts.....	18 CD
Type de batterie	M18™
Type de chargeur	M18™
Longueur de la lame.....	610 mm (24")
Capacité de coupe (diamètre).....	19 mm (3/4")
Vitesse de coupe.....	3 400 tr/min

DESCRIPTION FONCTIONNELLE



1. Lames
2. Protection
3. Poignée avant
4. Bouton de verrouillage
5. Poignée à gâchette
6. Gâchette

MONTAGE DE L'OUTIL

⚠ AVERTISSEMENT Ne recharger la batterie qu'avec le chargeur spécifié. Pour les instructions de charge spécifiques, lire le manuel d'utilisation fourni avec le chargeur et les batteries.

Insertion/Retrait de la batterie

Pour retirer la batterie, enfoncer les boutons de déverrouillage et la tirer hors de l'outil.

⚠ AVERTISSEMENT Il faut toujours retirer la batterie et verrouiller la détente de l'outil avant de changer ou d'enlever les accessoires.

Pour insérer la batterie, la glisser dans le corps de l'outil. S'assurer qu'elle est fixée solidement.

⚠ AVERTISSEMENT L'emploi d'accessoires autres que ceux qui sont expressément recommandés pour cet outil peut comporter des risques.

Fourreau de lame

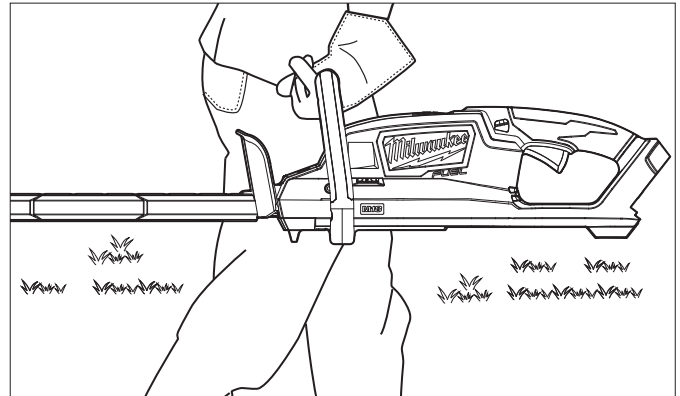
Toujours placer le fourreau sur la lame lors du déplacement d'un endroit à l'autre, l'entreposage ou le transport de l'outil. **AVERTISSEMENT!** La lame est bien aiguisée. Garder les mains et le corps à l'écart de la lame.

1. Retirer le bloc-piles
2. Faire glisser le fourreau sur la lame. Il pourrait être nécessaire de pousser avec force pour que le fourreau de la lame atteigne la protection avant.
3. Pour enlever, retirer le fourreau de la lame. Il pourrait être nécessaire de tirer avec un peu de force jusqu'à ce que le fourreau se dégage de la détente près de la protection.

⚠ AVERTISSEMENT Toujours éteindre l'outil entre les coupes ou lors du transport d'un endroit à l'autre. Ne pas transporter l'outil avec le doigt sur la gâchette. Un démarrage accidentel peut provoquer des blessures graves.

Transport

Toujours retirer le bloc-piles et recouvrir la lame avant le transport. Transporter l'outil par la poignée avant, avec la lame derrière vous. Ne pas transporter l'outil par la poignée à gâchette.



⚠ AVERTISSEMENT Pour réduire le risque de blessures, toujours retirer le bloc-piles de l'outil avant la lubrification.

Lubrification de la lame

Pour prolonger la durée de vie de la lame, la lubrifier avant et après chaque utilisation et avant de la ranger.

1. Retirer le bloc-piles.
2. Appliquer une huile de machine légère le long des deux côtés de la lame supérieure.

MANIEMENT

⚠ AVERTISSEMENT Pour minimiser les risques de blessures, portez des lunettes à coques latérales.

N'utiliser que les accessoires recommandés. L'utilisation d'autres types d'accessoires pourrait entraîner des situations dangereuses

Pendant l'utilisation, garder les badauds à une distance minimale de 4,5 m (15 pi). Des objets peuvent être projetés ou ricocher dans toutes les directions.

Démarrage et arrêt de l'outil

1. **AVERTISSEMENT!** Toujours retirer le fourreau de la lame avant utilisation.
2. Tenir fermement la poignée avant et la poignée à gâchette. **AVERTISSEMENT!** La lame est bien aiguisée. Garder les mains et le corps à l'écart de la lame.
3. Pour **démarrer** l'outil, enfoncer le bouton de déverrouillage tout en tirant sur la gâchette. Laisser le moteur atteindre sa pleine vitesse avant de commencer à couper.
4. Pour **arrêter** l'outil, relâcher la gâchette.
5. Toujours attendre que les lames s'arrêtent avant de poser l'outil.

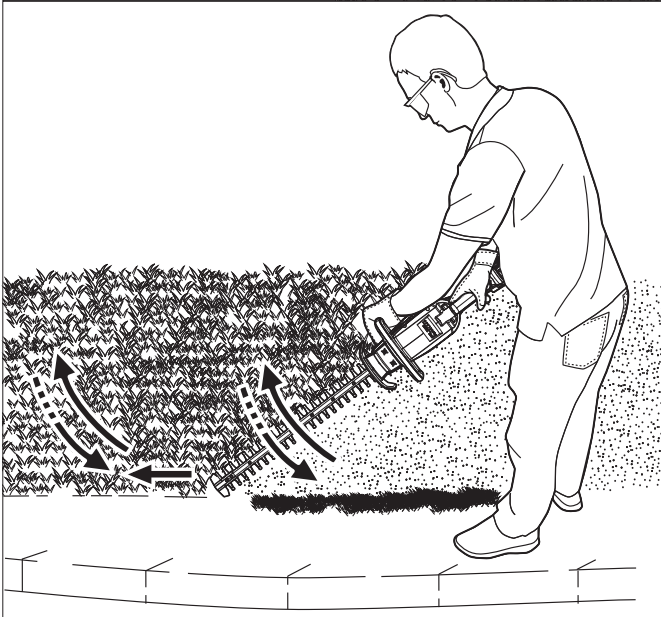
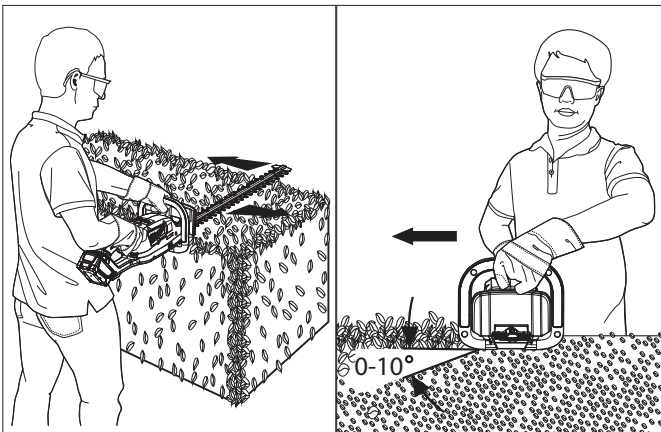
⚠ AVERTISSEMENT Pour réduire le risque de blessure, toujours garder les deux mains sur les poignées. Ne pas enlever le matériau coupé ni tenir le matériau à couper lorsque les lames sont en mouvement.

Conseils de coupe

⚠ DANGER Ne jamais couper près de cordons ou de fils électriques. Si la lame coupe ou se coince sur un cordon ou un fil électrique, elle risque d'électrifier et électrocuter l'opérateur! Débrancher l'alimentation de la ligne électrique avant d'essayer de débloquer la lame. Le contact avec la lame, la ligne ou toute autre pièce électrique sous tension peut entraîner des blessures graves, voire la mort.

Avant de démarrer l'outil, vérifier la zone de travail pour objets cachés, tels que des fils, des clôtures, etc. Frapper un objet solide pourrait entraîner une perte de contrôle et des blessures graves.

- L'outil peut être tenu dans plusieurs orientations en fonction de la façon de saisir la poignée avant.
- Utiliser un mouvement de balayage, de va-et-vient, vers le bas ou à travers le matériau à couper.
- Déplacer l'outil à un rythme plus lent en coupant des branches plus épaisses. Ne pas forcer l'outil. La lame ralentira et pourrait se coincer.
- Ne pas couper les branches d'un diamètre supérieur à 19 mm (3/4"). Utiliser une scie alternative Sawzall® ou Hackzall® avec une lame de taille pour les branches plus épaisses.
- Si la lame se coince, arrêter l'outil et retirer le bloc-piles. **AVERTISSEMENT!** Faire preuve de prudence lors de l'enlèvement des débris des lames.
- Pour les coupes droites, étirer une chaîne le long de la zone de travail juste en dessous de la hauteur de coupe souhaitée. Utiliser la chaîne comme un guide lors de la coupe. Tenir l'outil à un angle de 0° à 10° lors de la coupe d'un sommet plat.



ENTRETIEN

⚠ AVERTISSEMENT Pour minimiser les risques de blessures corporelles, débranchez le chargeur et retirez la batterie du chargeur ou de l'outil avant d'y effectuer des travaux d'entretien. Ne démontez jamais l'outil, la batterie ou le chargeur. Pour toute réparation, consultez un centre de service MILWAUKEE accrédité.

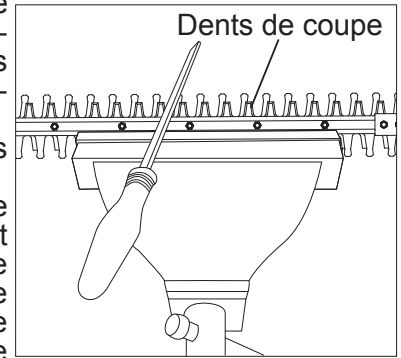
Entretien de l'outil

Gardez l'outil en bon état en adoptant un programme d'entretien ponctuel. Inspectez votre outil pour des questions telles que le bruit excessif, de grippage des pièces mobiles, de pièces cassées ou toute autre condition qui peut affecter le fonctionnement de l'outil. Retournez votre outil à un centre de service MILWAUKEE accrédité pour obtenir le service. Après une période pouvant aller de 6 mois à un an, selon l'usage, retournez votre outil à un centre de service MILWAUKEE accrédité pour d'inspection.

Si l'outil ne démarre pas ou ne fonctionne pas à pleine puissance alors qu'il est branché sur une batterie complètement chargée, nettoyez les points de contact entre la batterie et l'outil. Si l'outil ne fonctionne toujours pas correctement, renvoyez l'outil, le chargeur et la batterie à un centre de service MILWAUKEE accrédité.

Affûtage de la lame

1. Arrêter l'outil de sorte que les dents apparaissent dans une position décalée (voir photo).
2. Retirer le bloc-piles de l'outil.
3. Fixer la lame dans un étau et limer la surface de coupe exposée de chaque dent de lame à l'aide d'une lime. Ne pas changer l'angle de coupe des dents.
4. Pour affûter l'autre côté des dents, redémarrer l'outil afin de déplacer les dents dans la position opposée. Retirer le bloc-piles avant de refixer dans l'étau.



⚠ AVERTISSEMENT Pour minimiser les risques de blessures ou de dommages à l'outil, n'immergez jamais l'outil, la batterie ou le chargeur et ne laissez pas de liquide s'infiltrer.

Nettoyage

Débarrassez les événements des débris et de la poussière. Gardez les poignées propres, à sec et exemptes d'huile ou de graisse. Le nettoyage doit se faire avec un linge humide et un savon doux. Certains nettoyants tels l'essence, la térébenthine, les diluants à laque ou à peinture, les solvants chlorés, l'ammoniaque et les détergents d'usage domestique qui en contiennent pourraient détériorer le plastique et l'isolation des pièces. Ne laissez jamais de solvants inflammables ou combustibles auprès des outils.

Réparations

Pour les réparations, retournez outil, batterie et chargeur en entier au centre-service le plus près.

ACCESOIRES

⚠️ AVERTISSEMENT L'utilisation d'autres accessoires que ceux qui sont spécifiquement recommandés pour cet outil peut comporter des risques.

Pour une liste complète des accessoires, visiter le site internet www.milwaukeetool.com ou contactez un distributeur.

SERVICE - CANADA

Milwaukee Tool (Canada) Ltd

1.800.268.4015

Monday-Friday, 7:00 AM - 4:30 PM CST

www.milwaukeetool.ca

GARANTIE LIMITÉE - AUX ÉTATS-UNIS ET AU CANADA

Chaque équipement électrique d'extérieur* de MILWAUKEE (voir exceptions ci-dessous) est garanti à l'acheteur d'origine uniquement pour être exempt de vices de matériaux et de fabrication. Sous réserve de certaines exceptions, MILWAUKEE réparera ou remplacera toute pièce d'un équipement électrique d'extérieur qui, après examen par MILWAUKEE, s'est avéré être affecté d'un vice de matériau ou de fabrication et ce pendant une période de trois (3) ans à compter de la date d'achat, sauf indication contraire. Retourner l'équipement électrique d'extérieur, à un centre de réparations en usine MILWAUKEE ou à un poste d'entretien agréé MILWAUKEE, en port prépayé et assuré. Une copie de la preuve d'achat doit être présentée avec le produit retourné. Cette garantie ne couvre pas les dommages que MILWAUKEE détermine être causés par des réparations ou des tentatives de réparation par quiconque autre que le personnel agréé par MILWAUKEE, ou par des utilisations incorrectes, des altérations, des utilisations abusives, une usure normale, une carence d'entretien ou des accidents.

Usure normale : Plusieurs équipements électriques d'extérieur requièrent un remplacement et un entretien périodique de leurs pièces pour un meilleur rendement. Cette garantie ne couvre pas la réparation des pièces due à l'utilisation normale de l'outil, y compris, mais sans s'y limiter, la tête de coupe, la bobine, les fils de coupe, les lames, les fils, les chaînes, les tubes de soufflage, les joints toriques, et les joints.

*Cette garantie ne s'applique pas aux blocs-piles sans fil ou au produit résiné. Il existe des garanties séparées distinctes pour ces produits. MILWAUKEE n'assume aucun frais de transport ou de main d'œuvre liés à l'inspection et à la vérification des équipements électriques d'extérieur qui, de l'avis de MILWAUKEE, ne donnent pas droit à une réclamation au titre de la garantie. Pour être admissible, une réclamation au titre de la garantie doit être justifiée par un vice du matériau ou de fabrication découvert par MILWAUKEE.

L'ACCEPTATION DES RECOURS EXCLUSIFS DE RÉPARATION ET DE REMPLACEMENT DÉCRITS DANS LES PRÉSENTES EST UNE CONDITION DU CONTRAT D'ACHAT DE TOUT PRODUIT MILWAUKEE. SI VOUS N'ACCEPTÉZ PAS CETTE CONDITION, VOUS NE DEVEZ PAS ACHETER LE PRODUIT. EN AUCUN CAS, MILWAUKEE NE SAURAIT ÊTRE RESPONSABLE DE TOUT DOMMAGE ACCESSOIRE, SPÉCIAL OU INDIRECT, DE DOMMAGES-INTÉRÊTS PUNITIFS OU DE TOUTE DÉPENSE, D'HONORAIRES D'AVOCATS, DE FRAIS, DE PERTE OU DE DÉLAIS ACCESSOIRES À TOUT DOMMAGE, DÉFAILLANCE OU DÉFAUT DE TOUT PRODUIT, Y COMPRIS NOTAMMENT LES PERTES DE PROFIT. CERTAINS ÉTATS ET PROVINCES NE PERMETTANT L'EXCLUSION OU LA LIMITATION DES DOMMAGES DIRECTS OU INDIRECTS, LES RESTRICTIONS CI-DESSUS PEUVENT NE PAS ÊTRE APPLICABLES. CETTE GARANTIE EST EXCLUSIVE ET REMPLACE TOUTE AUTRE GARANTIE EXPRESSE, QU'ELLE SOIT VERBALE OU ÉCRITE. DANS LA MESURE PERMISE PAR LA LOI, MILWAUKEE RENONCE À TOUTE GARANTIE IMPLICITE, Y COMPRIS, MAIS SANS S'Y LIMITER, TOUTE GARANTIE IMPLICITE DE QUALITÉ MARCHANDE OU D'ADAPTATION À UNE UTILISATION OU À UNE FIN PARTICULIÈRE. DANS LA MESURE OU UNE TELLE STIPULATION D'EXONÉRATION N'EST PAS PERMISE PAR LA LOI, LA DURÉE DE CES GARANTIES IMPLICITES EST LIMITÉE À LA PÉRIODE APPLICABLE DE LA GARANTIE EXPRESSE, TEL QUE CELA EST DÉCRIT PRÉCÉDEMMENT. CERTAINS ÉTATS ET PROVINCES NE PERMETTANT PAS DE LIMITATION DE DURÉE DES GARANTIES IMPLICITES, LES RESTRICTIONS CI-DESSUS PEUVENT DONC NE PAS VOUS ÊTRE APPLICABLES. LA PRÉSENTE VOUS CONFÈRE DES DROITS LÉGAUX PARTICULIERS; VOUS BÉNÉFICIEZ ÉGALEMENT D'AUTRES DROITS QUI VARIENT D'UN ÉTAT À UN AUTRE. Cette garantie s'applique aux produits vendus aux États-Unis et au Canada uniquement.

Veillez consulter la rubrique Centre SAV Milwaukee, dans la section Pièces et Services du site Web de MILWAUKEE, à l'adresse www.milwaukeetool.com, ou composer le 1-800-SAWDUST (1-800-729-3878) afin de trouver le centre de service de votre région le plus proche pour l'entretien, sous garantie ou non, de votre outil électrique Milwaukee.

GARANTIE LIMITÉE - MEXIQUE, AMÉRIQUE CENTRALE ET CARAÏBES

TECHTRONIC INDUSTRIES' garantit le produit pendant cinq ans à partir de la date d'achat d'origine. Le présent bon de garantie couvre tous les vices de matériau et de fabrication que peut afficher cet outil électrique. Pour assurer la validité de la présente garantie, veuillez présenter le bon de commande, estampillé du sceau du distributeur ou du magasin où le produit a été acheté, au centre de réparations agréé. Si le bon de commande n'a pas été estampillé, veuillez fournir la preuve d'achat d'origine au centre de réparations agréé. Pour un entretien, des pièces, des accessoires ou d'autres composants, composer sans frais le 1-800-832-1949 afin d'obtenir les coordonnées du centre de réparations agréé le plus près. Procédure pour assurer la validité de la garantie

Présenter le produit au centre de réparations agréé, accompagné du bon de commande estampillé du sceau du distributeur ou du magasin où le produit a été acheté. Toute pièce défectueuse ou tout composant défectueux sera remplacé sans frais. Milwaukee assume tous les frais de transport liés à ce processus de garantie.

Exceptions

La garantie ne s'applique pas dans les situations suivantes :

- Si le produit a été utilisé pour une fin autre que celle indiquée dans le guide de l'utilisateur final ou le manuel d'instructions.
- Si les conditions d'utilisations ne sont pas habituelles.
- Si le produit a été modifié ou réparé par une personne non autorisée par TECHTRONIC INDUSTRIES.

Note : Si le cordon électrique est endommagé, il doit être remplacé par un centre de réparations agréé pour éviter les risques d'électrocution. CENTRE DE RÉPARATIONS ET DE SERVICE:

Presidente Masarik No.29 Piso 7

Col. Polanco V Sección

Miguel Hidalgo C.P.11560 Mexico, DF.

Ph. 52 55 4160-3547

IMPORTÉ ET COMMERCIALISÉ PAR :

TECHTRONIC INDUSTRIES MEXICO, .S.A. DE C.V.

Presidente Masarik No.29 Piso 7

Col. Polanco V Sección

Miguel Hidalgo C.P.11560 Mexico, DF.

Modèle : _____

Date d'achat : _____

Sceau du distributeur ou du magasin : _____

ADVERTENCIAS DE SEGURIDAD GENERALES PARA LA HERRAMIENTA ELÉCTRICA

⚠️ ADVERTENCIA Lea todas las advertencias de seguridad, instrucciones, ilustraciones y especificaciones con esta herramienta eléctrica. Si no sigue todas las advertencias e instrucciones, se pueden provocar una descarga eléctrica, un incendio o lesiones graves. Guarde todas las advertencias e instrucciones para consultarlas en el futuro. El término "herramienta eléctrica" en todas las advertencias incluidas más abajo se refiere a su herramienta operada por conexión (cable) a la red eléctrica o por medio de una batería (inalámbrica).

SEGURIDAD EN EL ÁREA DE TRABAJO

- **Mantenga el área de trabajo limpia y bien iluminada.** Las áreas desordenadas u oscuras son propicias para los accidentes.
- **No utilice herramientas eléctricas en atmósferas explosivas, tales como en presencia de líquidos, gases o polvos inflamables.** Las herramientas eléctricas generan chispas que pueden encender el polvo o los vapores.
- **Mantenga a los niños y a los espectadores alejados mientras utiliza una herramienta eléctrica.** Las distracciones pueden ocasionar la pérdida de control.

SEGURIDAD ELÉCTRICA

- **Los enchufes de la herramienta eléctrica deben coincidir con el tomacorriente. Nunca modifique el enchufe de ninguna manera. No utilice adaptadores de enchufe con herramientas eléctricas aterrizadas.** Los enchufes y tomacorrientes correspondientes sin modificar reducirán el riesgo de descarga eléctrica.
- **Evite el contacto corporal con superficies aterrizadas, tales como tuberías, radiadores, estufas y refrigeradores.** Existe un riesgo mayor de descarga eléctrica si su cuerpo está aterrizado.
- **No exponga las herramientas eléctricas a la lluvia ni a condiciones húmedas.** Si se introduce agua en una herramienta eléctrica, aumentará el riesgo de descarga eléctrica.
- **No maltrate el cable. Nunca utilice el cable para cargar, jalar o desconectar la herramienta eléctrica. Mantenga el cable alejado del calor, el aceite, los bordes afilados o las partes en movimiento.** Los cables dañados o enredados aumentan el riesgo de descarga eléctrica.
- **Al utilizar una herramienta eléctrica en exteriores, utilice una extensión adecuada para uso en exteriores.** El uso de una extensión adecuada para el uso en exteriores disminuye el riesgo de descarga eléctrica.
- **Si es inevitable utilizar una herramienta eléctrica en un lugar húmedo, utilice un alimentador de corriente protegido con un interruptor de circuito por falla de conexión a tierra (GFCI).** El uso de un GFCI reduce el riesgo de descarga eléctrica.

SEGURIDAD PERSONAL

- **Manténgase alerta, atento a lo que está haciendo y utilice el sentido común al utilizar una herramienta eléctrica. No utilice una herramienta eléctrica mientras está cansado o bajo la influencia de drogas, alcohol o medicamentos.** Un momento de distracción al utilizar herramientas eléctricas puede ocasionar lesiones personales graves.
- **Utilice equipo de protección personal. Siempre use protección para los ojos.** El equipo de protección, tal como una máscara contra polvo, calzado antideslizante, casco o protección auditiva, utilizado para condiciones adecuadas disminuirá las lesiones personales.
- **Evite el arranque accidental. Asegúrese de que el interruptor esté en la posición de apagado antes de conectarlo a una fuente de poder y/o batería, levantar o trasladar la herramienta.** Trasladar herramientas con el dedo en el interruptor o energizar herramientas eléctricas que tienen el interruptor encendido propicia accidentes.
- **Retire cualquier llave de ajuste antes de entender la herramienta.** Una llave que se deje insertada en una parte giratoria de la herramienta eléctrica puede ocasionar lesiones personales.
- **No estire el cuerpo demasiado. Mantenga un buen contacto entre los pies y el suelo y mantenga el equilibrio en todo momento.** Esto permite un mejor control de la herramienta eléctrica en situaciones inesperadas.
- **Vístase adecuadamente. No utilice ropa o joyería holgada. Mantenga el cabello y la ropa alejados de las partes móviles.** La ropa holgada, las alhajas o el cabello largo pueden quedarse atrapados en las partes móviles.
- **Si se proporcionan dispositivos para la conexión de instalaciones de extracción y recolección de polvo, cerciórese de que estén conectados y se utilicen correctamente.** El uso de dispositivos recolectores de

polvo puede disminuir los riesgos relacionados con el polvo.

- **No permita que la familiaridad por el uso frecuente de las herramientas lo hagan sentirse seguro e ignorar los principios de seguridad de las herramientas.** Un descuido puede provocar lesiones graves en una fracción de segundo.

USO Y CUIDADO DE LAS HERRAMIENTAS ELÉCTRICAS

- **No fuerce la herramienta eléctrica. Utilice la herramienta eléctrica correcta para su aplicación.** La herramienta eléctrica correcta realizará el trabajo mejor y con mayor seguridad a la velocidad para la que fue diseñada.
- **No utilice la herramienta eléctrica si el interruptor no la enciende y la apaga.** Cualquier herramienta eléctrica que no pueda controlarse con el interruptor es peligrosa y debe repararse.
- **Desconecte el enchufe de la fuente de energía y/o quite la batería de la herramienta eléctrica, si es posible, antes de realizar cualquier ajuste, cambiar accesorios o almacenar las herramientas eléctricas.** Tales medidas preventivas de seguridad disminuyen el riesgo de que la herramienta eléctrica se encienda accidentalmente.
- **Almacene las herramientas eléctricas que no se estén utilizando fuera del alcance de los niños y no permita que personas que no estén familiarizadas con la herramienta eléctrica o con estas instrucciones la utilicen.** Las herramientas eléctricas son peligrosas en manos de usuarios sin capacitación.
- **Dé mantenimiento a las herramientas eléctricas y accesorios. Verifique que no haya desalineación, amarre de partes móviles, partes rotas o alguna otra condición que pueda afectar el funcionamiento de la herramienta eléctrica. Si se daña, asegúrese de que la herramienta eléctrica sea reparada antes de que se utilice.** Muchos accidentes son ocasionados por herramientas eléctricas con mantenimiento deficiente.
- **Mantenga las herramientas de corte afiladas y limpias.** Las herramientas de corte correctamente mantenidas con bordes de corte afilados son menos propensas a atorarse y son más fáciles de controlar.
- **Utilice la herramienta eléctrica, los accesorios y las puntas, etc. de acuerdo con estas instrucciones, tomando en cuenta las condiciones de trabajo y el trabajo a realizar.** El uso de la herramienta eléctrica para operaciones diferentes a las previstas podría generar una situación peligrosa.
- **Mantenga las empuñaduras y ñas superficies de sujeción secas, limpias y libres de aceite y grasa.** Las empuñaduras y superficies de sujeción resbalosas no permiten el manejo y control seguros de la herramienta en situaciones inesperadas.

USO Y CUIDADO DE LAS HERRAMIENTAS CON BATERÍA

- **Recargue únicamente con el cargador especificado por el fabricante.** Un cargador que es adecuado para un tipo de batería puede crear un riesgo de incendio si se utiliza con otra batería.
- **Utilice las herramientas eléctricas únicamente con baterías específicamente diseñadas.** El uso de cualquier otra batería puede producir un riesgo de lesiones e incendio.
- **Cuando la batería no esté en uso, manténgala alejada de otros objetos metálicos como sujetapapeles, monedas, llaves, clavos, tornillos u otros objetos metálicos pequeños que puedan formar una conexión de una terminal a otra.** Crear un corto entre las terminales de la batería puede ocasionar quemaduras o un incendio.

- **Bajo condiciones de maltrato, el líquido puede ser expulsado de la batería, evite el contacto. En caso de contacto accidental, lave con agua. Si el líquido entra en contacto con los ojos, busque además ayuda médica.** El líquido expulsado de la batería puede causar irritación o quemaduras.
- **No use una batería o herramienta que se haya dañado o modificado.** Las baterías dañadas o modificadas pueden mostrar un comportamiento impredecible, causando incendios, explosión o riesgo de lesión.
- **No exponga una batería o herramienta al fuego o a temperatura excesiva.** La exposición a fuego o temperatura a más de 130° C (265° F) puede causar explosiones.
- **Siga todas las instrucciones de carga y no cargue la batería o la herramienta fuera del rango de temperatura especificado en las instrucciones.** La carga incorrecta o a temperaturas fuera del rango especificado puede dañar la batería y aumentar el riesgo de incendio.
- **Riesgo de lesiones en los ojos. Mantenga a los espectadores al menos a 4,5 m (15') de distancia durante el uso. Los objetos pueden salir lanzados o rebotar en todas direcciones.**
- **Las asas y la guarda deben estar correctamente instaladas durante el uso.** El uso de la cortadora sin ambas asas y la guarda instaladas puede provocar graves lesiones personales.
- **Use ambas manos al operar la cortadora. Mantenga una sujeción firme.** Usar una mano podría provocar pérdida de control y causar lesiones graves.
- **No use la guarda como asa.**
- **Antes de arrancar la cortadora, revise el área de trabajo para identificar objetos ocultos, tales como cables, cercas, etc.** Golpear un objeto sólido podría ocasionar la pérdida de control y lesiones personales graves.
- **No arranque la cortadora sin que la cuchilla esté en contacto con un objeto.** Permita que la herramienta alcance la velocidad máxima antes de iniciar el trabajo.
- **Nunca corte ningún material con un diámetro superior a 19 mm (3/4").** La herramienta puede atorarse o dar un contragolpe, causando un riesgo de lesión.
- **Siempre apague la herramienta entre cortes o al transportarla de un lugar a otro.** No cargue la herramienta con el dedo en el gatillo. El arranque accidental puede causar graves lesiones personales.
- **Antes de poner la herramienta sobre una superficie, apague el interruptor, asegúrese de que la cuchilla se haya detenido y retire la batería.**
- **Mantenga la herramienta limpia de recortes y desechos.**
- **Siempre retire la batería cuando la herramienta no se esté utilizando.**
- **Nunca utilice una manguera para limpiar la herramienta.** Mantenga las asas secas, limpias y libres de desechos. Vea la sección "Mantenimiento" para instrucciones de limpieza.
- **Conserve las etiquetas y las placas nominales.** Contienen información importante. Si son ilegibles o no están presentes, comuníquese con un centro de servicio MILWAUKEE para obtener un reemplazo gratuito.

MANTENIMIENTO

- **Lleve su herramienta eléctrica a servicio con un técnico calificado que use únicamente piezas de reemplazo idénticas.** Esto asegurará que la seguridad de la herramienta eléctrica se mantenga.
- **Nunca dé servicio a baterías dañadas.** Únicamente el fabricante o proveedores de servicio autorizados deben dar servicio a las baterías.

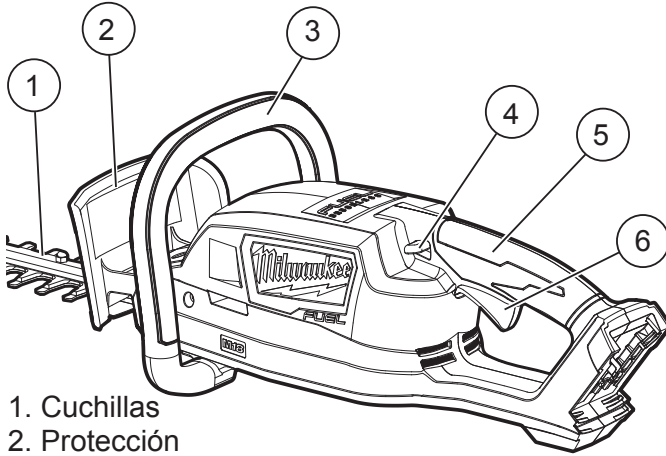
REGLAS ESPECIFICAS DE SEGURIDAD PARA CORTADORAS DE SETOS

- **⚠ PELIGRO** Mantenga las manos alejadas de la cuchilla. El contacto con la cuchilla causará lesiones personales graves. Mantenga toda parte del cuerpo alejada de la cuchilla. No retire el material cortado ni sujete el material que va a cortar cuando las cuchillas están en movimiento. Verifique que el interruptor está apagado cuando vaya a desatascar material. Las cuchillas se siguen moviendo por inercia después de apagar la herramienta. Un momento de falta de atención cuando está operando la cortadora podría resultar en una grave lesión corporal.
- **Use ambas manos al operar la cortadora.** Usar una mano podría provocar pérdida de control y causar lesiones personales graves.
- **Cargue la cortadora del asa, con la cuchilla detenida. Siempre ponga el protector de la cuchilla para transportar la cortadora o al guardarla.** El manejo debido de la cortadora reducirá la posibilidad de que las cuchillas causen una lesión corporal.
- **Al sujetar la herramienta, coloque las manos únicamente sobre las superficies aisladas, ya que la cuchilla podría entrar en contacto con cableado oculto.** Si una cuchilla entra en contacto con un alambre energizado podría transferir la carga eléctrica a las partes de metal expuestas de la herramienta, por lo que no las debe tocar.
- **No se utilice la herramienta mientras está de pie sobre una escalera, tejado o un apoyo inestable.** Un apoyo estable en una superficie sólida permite un mejor control de la herramienta en situaciones inesperadas.
- **Siempre use protección ocular, protección auditiva y ropa y calzado de protección. Use pantalones largos y gruesos, mangas largas, botas y guantes. Sujétese el cabello largo.** No use ropa o joyería holgada. No use pantalones cortos, sandalias ni vaya descalzo.
- **⚠ ADVERTENCIA** Algunos polvos generados por el lijado eléctrico, aserrado, pulido, taladrado y otras actividades de construcción contienen químicos identificados como causantes de cáncer, defectos congénitos u otros daños reproductivos. Algunos ejemplos de estos químicos son:
 - plomo de pintura basada en plomo
 - dióxido de silicio de los ladrillos y el cemento y otros productos de albañilería y
 - arsénico y cromo de madera con tratamiento químico.
 Su riesgo por estas exposiciones varía, dependiendo de la frecuencia con que realice este tipo de trabajo. Para reducir su exposición a estos químicos: trabaje en un área bien ventilada y trabaje con equipo de seguridad aprobado, como mascarillas protectoras contra polvo especialmente diseñadas para filtrar partículas microscópicas.

ESPECIFICACIONES

Cat. No.	2726-20
Volts.....	18 CD
Tipo de batería	M18™
Tipo de cargador	M18™
Longitud de la cuchilla	610 mm (24")
Capacidad de corte (diámetro).....	19 mm (3/4")
Velocidad de corte	3 400 SPM

DESCRIPCION FUNCIONAL



- 1. Cuchillas
- 2. Protección
- 3. Asa delantera
- 4. Botón de bloqueo
- 5. Asa del gatillo
- 6. Gatillo

SIMBOLOGÍA



Volts



Corriente continua

n_0 XXXX min^{-1} Carreras por minuto (SPM) sin carga



Símbolo de alerta de seguridad



Lea el manual del operador



Siempre use protección ocular, protección auditiva y ropa y calzado de protección.



Siempre use guantes y equipo personal de protección.



Mantenga las manos, los pies y el cuerpo alejados de la hoja.



No la use bajo la lluvia ni en lugares húmedos.



Mantenga a los espectadores a 4,5 m (15') de distancia durante el uso.



UL Listing Mark para Canadá y Estados Unidos

ENSAMBLAJE

ADVERTENCIA Recargue la batería sólo con el cargador especificado para ella. Para instrucciones específicas sobre cómo cargar, lea el manual del operador suministrado con su cargador y la batería.

Como se inserta/quita la batería en la herramienta

Para retirar la batería, presione los botones de liberación y jale de la batería para sacarla de la herramienta.

ADVERTENCIA Para reducir el riesgo de lesiones, extraiga siempre la batería antes de acoplar o desacoplar accesorios. Para introducir la batería, deslícela en el cuerpo de la herramienta. Asegúrese de que quede bien firme en su posición.

ADVERTENCIA Utilice únicamente accesorios específicamente recomendados para esta herramienta. El uso de accesorios no recomendados podría resultar peligroso.

Cubierta de la cuchilla

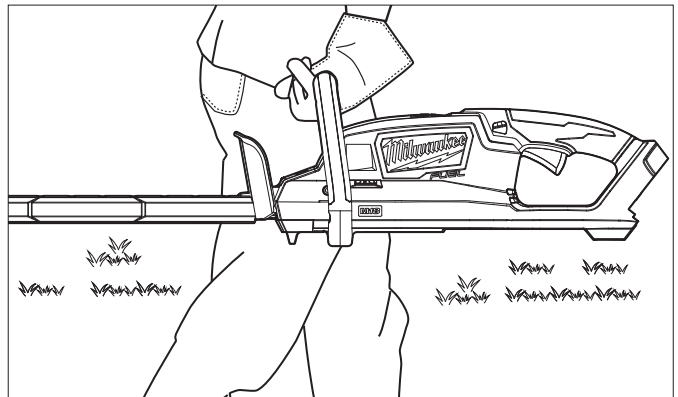
Siempre coloque la cubierta sobre la cuchilla antes de pasar de un trabajo a otro, guardar o transportar la herramienta. **ADVERTENCIA!** La cuchilla está afilada. Mantenga las manos y el cuerpo alejados de la cuchilla.

1. Extraiga la batería
2. Deslice la cubierta de la cuchilla sobre la misma. Puede ser necesario empujar con cierta fuerza a medida que la cubierta de la cuchilla se acerca a la guarda frontal.
3. Para retirarla, jale la cubierta de la cuchilla. Puede ser necesario jalar con cierta fuerza hasta que la cubierta pase del tope cerca de la guarda.

ADVERTENCIA Siempre apague la herramienta entre cortes o al transportarla de un lugar a otro. No cargue la herramienta con el dedo en el gatillo. El arranque accidental puede causar graves lesiones personales.

Transporte

Siempre retire la batería y cubra la cuchilla antes de transportar. Cargue la herramienta del asa delantera, con la cuchilla hacia atrás usted. No cargue la herramienta del asa del gatillo.



ADVERTENCIA Para reducir el riesgo de lesiones, siempre retire la batería de la herramienta antes de lubricar.

Lubricación de la cuchilla

Para extender la vida de corte, lubrique las cuchillas de la cortadora antes y después de cada uso y antes de guardarla.

1. Extraiga la batería.
2. Aplique un aceite ligero para máquina a lo largo de ambos lados de la cuchilla superior

OPERACION

ADVERTENCIA Para reducir el riesgo de lesiones, use siempre lentes de seguridad o anteojos con protectores laterales. Utilice únicamente los accesorios recomendados. Puede ser peligroso utilizar otros. Mantenga a los espectadores al menos a 4,5 m (15') de distancia durante el uso. Los objetos pueden salir lanzados o rebotar en todas direcciones.

Para iniciar y detener la herramienta

1. **¡ADVERTENCIA!** Siempre quite la cubierta de la cuchilla antes de usar.
2. Sostenga el asa delantera y el asa del gatillo firmemente. **¡ADVERTENCIA!** La cuchilla está afilada. Mantenga las manos y el cuerpo alejados de la cuchilla.
3. Para **encender** la herramienta, presione el botón de bloqueo hacia abajo mientras tira del gatillo. Permita que el motor alcance la velocidad máxima antes de comenzar a cortar.
4. Para **detener** la herramienta, suelte el gatillo.
5. Siempre espere a que las cuchillas se detengan antes de dejar la herramienta sobre una superficie.

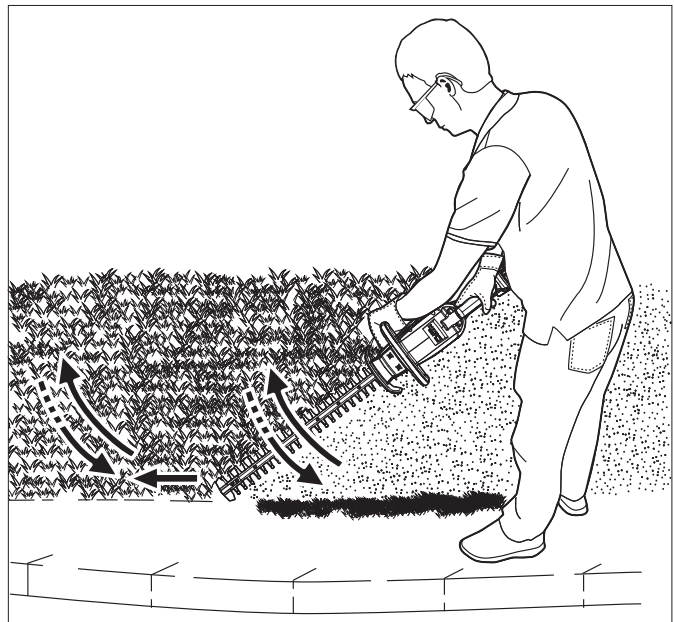
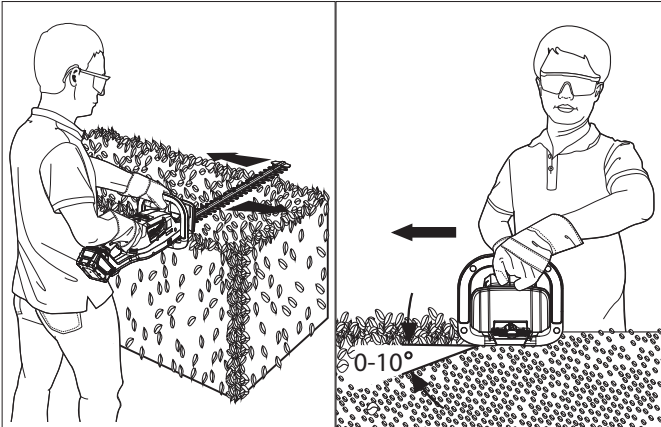
▲ADVERTENCIA Para reducir el riesgo de lesiones, mantenga siempre ambas manos en las asas. No retire el material cortado ni sujete el material que va a cortar cuando las cuchillas estén en movimiento.

Sugerencias de corte

▲PELIGRO Nunca corte cerca de cables o líneas eléctricas. Si la cuchilla corta o se atora en algún cable o línea eléctrica, las cuchillas pueden energizarse y aplicar una descarga eléctrica al operador. Desconecte el servicio eléctrico a la línea eléctrica antes de intentar liberar la cuchilla de la línea. El contacto con la cuchilla, la línea u otra parte eléctrica energizada podría provocar la muerte o lesiones graves.

Antes de arrancar la herramienta, revise el área de trabajo para identificar objetos ocultos, tales como cables, cercas, etc. Golpear un objeto sólido podría ocasionar la pérdida de control y lesiones personales graves.

- La herramienta puede sostenerse en múltiples orientaciones dependiendo de cómo se sujete el asa delantera.
- Utilice un movimiento de barrido, de atrás hacia adelante, avanzando hacia abajo u horizontalmente en el trabajo.
- Mueva la herramienta más lentamente al cortar ramas más gruesas. No fuerce la herramienta. La cuchilla perderá velocidad y podría amarrarse.
- No corte ramas de diámetro mayor a 19 mm (3/4")- Utilice una sierra recíproca Sawzall® o Hackzall® con una hoja podadora para ramas más gruesas.
- Si las cuchillas se atoran, detenga la herramienta y retire la batería. **¡ADVERTENCIA!** Tenga cuidado al retirar la basura de las cuchillas.
- Para cortes rectos, estire un hilo a lo largo del área de trabajo justo debajo de la altura de corte deseada. Use el hilo como guía al cortar. Sostenga la herramienta a un ángulo de 0° a 10° al cortar una parte superior plana.



MANTENIMIENTO

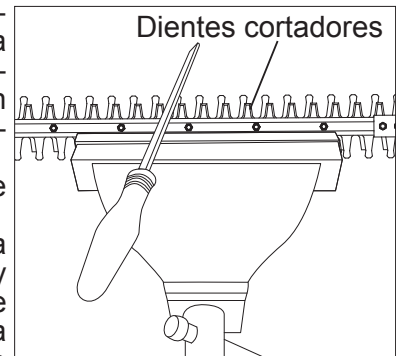
▲ADVERTENCIA Para reducir el riesgo de una lesión, desconecte siempre la herramienta antes de darle cualquier mantenimiento. Nunca desarme la herramienta ni trate de hacer modificaciones en el sistema eléctrico de la misma. Acuda siempre a un Centro de Servicio MILWAUKEE para TODAS las reparaciones.

Mantenimiento de las herramientas

Adopte un programa regular de mantenimiento y mantenga su herramienta en buenas condiciones. Inspeccione la herramienta para problemas como ruidos indebidos, desalineadas o agarrotadas de partes móviles, piezas rotas o cualquier otra condición que pueda afectar el funcionamiento de la herramienta. Envíe su herramienta al Centro de Servicio MILWAUKEE para reparación. Después de 6 meses a un año, dependiendo del uso dado, envíe su herramienta al Centro de Servicio MILWAUKEE más cercano para la inspección. Si la herramienta no arranca u opera a toda su potencia con una batería completamente cargada, limpie, con una goma o borrador, los contactos de la batería y de la herramienta. Si aun así la herramienta no trabaja correctamente, regrésela, con el cargador y la batería, a un centro de servicio MILWAUKEE.

Afilado de la cuchilla

1. Detenga la herramienta de manera que los dientes estén en posición desplazada (consulte la imagen).
2. Retire la batería de la herramienta.
3. Sujete la cuchilla en una prensa y lime la superficie de corte expuesta de cada diente de



- de la cuchilla de corte con una lima. No cambie el ángulo de corte de los dientes de corte.
4. Para afilar el otro lado de los dientes, reinicie la herramienta para mover los dientes y desplazarlos en la posición contraria. Retire la batería antes de volver a sujetar con la prensa.

⚠ ADVERTENCIA Para reducir el riesgo de lesiones, descarga eléctrica o daño a la herramienta, nunca la sumerja en líquidos ni permita que estos fluyan dentro de la misma.

Limpeza

Limpe el polvo y suciedad de las ventilas. Mantenga los mangos limpios, secos y libres de aceite o grasa. Use solo jabón neutro y un trapo húmedo para limpiar, ya que algunas sustancias y solventes limpiadores son dañinos a los plásticos y partes aislantes. Algunos de estos incluyen: gasolina, turpentina, thinner, lacas, thinner para pinturas, solventes para limpieza con cloro, amoníaco y detergentes caseros que tengan amonía. Nunca usa solventes inflamables o combustibles cerca de una herramienta.

Reparaciones

Si su herramienta, batería o cargador están dañados, envíela al centro de servicio más cercano.

ACCESORIOS

⚠ ADVERTENCIA Utilice sólo los accesorios específicamente recomendados. Otros accesorios puede ser peligroso.

Para una lista completa de accesorios, visite nuestro sitio en Internet: www.milwaukeetool.com o póngase en contacto con un distribuidor.

SOPORTE DE SERVICIO - MEXICO

CENTRO DE ATENCION A CLIENTES

Techtronic Industries Mexico, S.A. de C.V.

Av. Presidente Masarik 29 Piso 7

11560 Polanco V Seccion

Miguel Hidalgo, Distrito Federal, México

01 (800) 030-7777 o (55) 4160-3540

Lunes a Viernes (9am a 6pm)

O contáctanos en www.milwaukeetool.com.mx

GARANTÍA LIMITADA - E.U.A. Y CANADÁ

Cada producto de equipos eléctricos para el exterior* de MILWAUKEE (ver excepciones a continuación) tiene garantía solamente con el comprador original contra defectos del material y calidad. Sujeto a ciertas excepciones, MILWAUKEE reparará o reemplazará cualquier parte de un producto de equipos eléctricos para el exterior que, después de examinarse, sea determinado por MILWAUKEE que tienen material o calidad defectuoso durante un periodo de tres (3) años después de la fecha de compra a menos que se estipule lo contrario. Se requiere la devolución del equipo eléctrico para el exterior a un lugar del Centro de servicio de una fábrica MILWAUKEE o Estación de servicio autorizado MILWAUKEE, con el flete pagado por anticipado y asegurado. Deberá incluirse una copia del comprobante de compra con la devolución del producto. Esta garantía no aplica a daños que MILWAUKEE determine provengan de reparaciones o intentos de reparaciones realizados por alguien que no sea personal autorizado de MILWAUKEE, por mal uso, alteraciones, abuso, deterioro normal, falta de mantenimiento o accidentes.

Deterioro normal: muchos productos de equipos eléctricos para el exterior necesitan reemplazo de partes y servicio periódico para lograr su mejor rendimiento. Esta garantía no cubre la reparación cuando el uso normal ha agotado la vida de una parte incluyendo, pero sin limitarse, al cabezal de la bordeadora, el carrete del cabezal de la bordeadora, las líneas de corte, cuchillas, líneas, cadenas, tubos de soplado, cepillos, juntas tóricas y sellos.

*Esta garantía no cubre las Baterías inalámbricas o un Producto reacondicionado. Existen garantías separadas y distintas disponibles para estos productos.

MILWAUKEE no cubre los cargos de fletes o mano de obra asociados con la inspección y pruebas de los productos de equipos eléctricos para el exterior, que MILWAUKEE determine que no sean sujetos a validación de garantía. Una validación de garantía debe estar respaldada por el descubrimiento de material o calidad defectuoso por parte de MILWAUKEE. LA ACEPTACIÓN DE LAS SOLUCIONES EXCLUSIVAS DE REPARACIÓN Y REEMPLAZO DESCRITAS EN LA PRESENTE ES UNA CONDICIÓN DEL CONTRATO POR LA COMPRA DE CUALQUIER PRODUCTO MILWAUKEE. SI NO ACEPTA ESTA CONDICIÓN, NO DEBE COMPRAR EL PRODUCTO. BAJO NINGUNA CIRCUNSTANCIA MILWAUKEE SERÁ RESPONSABLE DE NINGÚN DAÑO INCIDENTAL, ESPECIAL, CONSECUENCIAL O PUNITIVO, O POR NINGÚN COSTO, HONORARIOS DE ABOGADOS, GASTOS, PÉRDIDAS O RETRASOS, SUPUESTOS COMO CONSECUENCIA DE ALGÚN DAÑO A, POR FALLA DE O DEFECTO DE NINGÚN PRODUCTO INCLUYENDO,

PERO SIN LIMITARSE A ALGÚN RECLAMO POR PÉRDIDA DE GANANCIAS. ALGUNOS ESTADOS NO PERMITEN LA EXCLUSIÓN O LIMITACIÓN DE DAÑOS INCIDENTALES O CONSECUENCIALES, POR LO QUE LA LIMITACIÓN O EXCLUSIÓN ANTERIOR PUEDE NO APLICAR A USTED. ESTA GARANTÍA ES EXCLUSIVA Y EN LUGAR DE TODAS LAS DEMÁS GARANTÍAS EXPRESAS, ESCRITAS U ORALES. HASTA DONDE LO PERMITA LA LEY, MILWAUKEE NIEGA CUALQUIER GARANTÍA IMPLÍCITA, INCLUYENDO SIN LIMITARSE A GARANTÍA IMPLÍCITA DE COMERCIABILIDAD O APTITUD PAR UN USO O PROPÓSITO EN PARTICULAR; HASTA DONDE DICHO DESCARGO DE RESPONSABILIDAD NO SEA PERMITIDO POR LA LEY, DICHAS GARANTÍAS IMPLÍCITAS SE LIMITAN A LA DURACIÓN DE LA GARANTÍA EXPRESA APLICABLE COMO SE DESCRIBE ARRIBA. ALGUNOS ESTADOS NO PERMITEN LIMITACIONES SOBRE CUÁNTO TIEMPO DURA UNA GARANTÍA IMPLÍCITA, ASÍ QUE LA LIMITACIÓN ANTERIOR PUEDE NO APLICAR A USTED, ESTA GARANTÍA LE DA DERECHOS LEGALES ESPECIALES Y QUIZÁ TAMBIÉN TENGA OTROS DERECHOS QUE VAN A VARIAR DE ESTADO A ESTADO. Esta garantía aplica al producto vendido solamente en EE. UU. y Canadá. Consulte la "Búsqueda del centro de servicio" ("Service Center Search") en la sección de Partes y servicios (Parts & Services) de la página web de MILWAUKEE www.milwaukeetool.com o llame al 1.800.SAWDUST (1.800.729.3878) para localizar su centro de servicio más cercano para el servicio de garantía y no garantía de una herramienta eléctrica de Milwaukee.

PÓLIZA DE GARANTÍA - VALIDA SOLO PARA MEXICO, AMÉRICA CENTRAL Y EL CARIBE

TECHTRONIC INDUSTRIES., garantiza por 5 años este producto a partir de la fecha original de compra.

Esta garantía cubre cualquier defecto que presenten las piezas, componentes y la mano de obra contenidas en este producto. Para América Central y el Caribe se debe confirmar en el Centro de Servicio Autorizado el plazo de la garantía.

Para hacer efectiva la Garantía deberá presentar al Centro de Servicio Autorizado la Póliza de Garantía sellada por el establecimiento en donde adquirió el producto. Si no la tienen, podrá presentar el comprobante de compra original.

Usted puede llamar sin costo al teléfono 01 800 832 1949 o por correo electrónico a la dirección "servicio@ttigroupna.com", para ubicar el Centro de Servicio Autorizado más cercano a su domicilio, en el cual además podrá adquirir partes, componentes, consumibles y accesorios, que usted necesite.

Procedimiento para hacer válida la garantía

Acuda al Centro de Servicio con el producto y la póliza de garantía sellada por el establecimiento donde realizó la compra. Ahí se reemplazará cualquier pieza o componente defectuoso sin cargo alguno para el usuario final. La empresa se hace responsable de los gastos de transportación razonablemente erogados que se deriven del cumplimiento de la presente garantía.

Excepciones

La garantía perderá validez en los siguientes casos:

- Cuando el producto se hubiese utilizado en condiciones distintas a las normales.
- La garantía el producto no hubiese sido operado de acuerdo con el instructivo de uso que le acompaña.
- Cuando el producto hubiese sido alterado o reparado por personas no autorizadas por TECHTRONIC INDUSTRIES.

Nota: Si el cordón de alimentación es dañado, este debe ser reemplazado por el fabricante o por un Centro de Servicio Autorizado para evitar riesgo.

CENTRO DE SERVICIO Y ATENCIÓN A CLIENTES

Presidente Masarik No.29 Piso 7

Col. Polanco V Sección

Miguel Hidalgo C.P.11560 Mexico, DF.

Tel. 52 55 4160-3547

IMPORTADO Y COMERCIALIZADO POR:

TECHTRONIC INDUSTRIES MEXICO, S.A. DE C.V.

Presidente Masarik No.29 Piso 7

Col. Polanco V Sección

Miguel Hidalgo C.P.11560 Mexico, DF.

Modelo: _____

Fecha de Compra: _____

Sello del Distribuidor: _____

MILWAUKEE TOOL
13135 West Lisbon Road
Brookfield, WI 53005 USA

58140054d1
07/16

961016147-01(B)
Printed in China