



Metco Part Number: **58140058**

TTi Part Number: **961011816**

ECN	MM001534	MM001877	MM005783					
ECN Date	04/26/2016	08/05/2016	02/22/2021					

TC Item ID: **MM00028024**

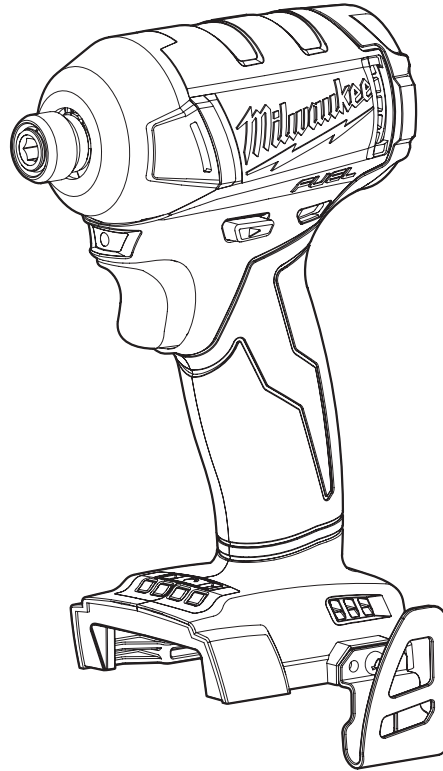
\* See back page for date code and revisions.

**NOTE:** "Printed in" text is variable, to reflect the country in which the part is printed.  
For example "Printed in China" or "Printed in Vietnam".  
The country listed in the art may change with a supplier change.

**NOTE:** Always contact Brookfield Tech Lit department for Hi Res art for printing.  
**DO NOT** print for production from this pdf.



OPERATOR'S MANUAL  
MANUEL de L'UTILISATEUR  
MANUAL del OPERADOR



Cat. No. / No de cat.  
2760-20

**M18 FUEL™ SURGE™ 1/4" HEX HYDRAULIC DRIVER**  
**TOURNEVIS HYDRAULIQUE À TÊTE HEXAGONALE**  
**SURGE™ M18 FUEL™ DE 6 mm (1/4")**  
**DESTORNILLADOR HIDRÁULICO HEXAGONAL SURGE™**  
**M18 FUEL™ DE 6 mm (1/4")**



**WARNING** To reduce the risk of injury, user must read and understand operator's manual.

**AVERTISSEMENT** Afin de réduire le risque de blessures, l'utilisateur doit lire et bien comprendre le manuel.

**ADVERTENCIA** Para reducir el riesgo de lesiones, el usuario debe leer y entender el manual.

## GENERAL POWER TOOL SAFETY WARNINGS

**WARNING** Read all safety warnings, instructions, illustrations and specifications provided with this power tool. Failure to follow all instructions listed below may result in electric shock, fire and/or serious injury. Save all warnings and instructions for future reference. The term "power tool" in the warnings refers to your mains-operated (corded) power tool or battery-operated (cordless) power tool.

### WORK AREA SAFETY

- Keep work area clean and well lit. Cluttered or dark areas invite accidents.
- Do not operate power tools in explosive atmospheres, such as in the presence of flammable liquids, gases or dust. Power tools create sparks which may ignite the dust or fumes.
- Keep children and bystanders away while operating a power tool. Distractions can cause you to lose control.

### ELECTRICAL SAFETY

- Power tool plugs must match the outlet. Never modify the plug in any way. Do not use any adapter plugs with earthed (grounded) power tools. Unmodified plugs and matching outlets will reduce risk of electric shock.
- Avoid body contact with earthed or grounded surfaces, such as pipes, radiators, ranges and refrigerators. There is an increased risk of electric shock if your body is earthed or grounded.
- Do not expose power tools to rain or wet conditions. Water entering a power tool will increase the risk of electric shock.
- Do not abuse the cord. Never use the cord for carrying, pulling or unplugging the power tool. Keep cord away from heat, oil, sharp edges or moving parts. Damaged or entangled cords increase the risk of electric shock.
- When operating a power tool outdoors, use an extension cord suitable for outdoor use. Use of a cord suitable for outdoor use reduces the risk of electric shock.
- If operating a power tool in a damp location is unavoidable, use a ground fault circuit interrupter (GFCI) protected supply. Use of an GFCI reduces the risk of electric shock.

### PERSONAL SAFETY

- Stay alert, watch what you are doing and use common sense when operating a power tool. Do not use a power tool while you are tired or under the influence of drugs, alcohol or medication. A moment of inattention while operating power tools may result in serious personal injury.
- Use personal protective equipment. Always wear eye protection. Protective equipment such as a dust mask, non-skid safety shoes, hard hat or hearing protection used for appropriate conditions will reduce personal injuries.
- Prevent unintentional starting. Ensure the switch is in the off-position before connecting to power source and/or battery pack, picking up or carrying the tool. Carrying power tools with your finger on the switch or energizing power tools that have the switch on invites accidents.

- Remove any adjusting key or wrench before turning the power tool on. A wrench or a key left attached to a rotating part of the power tool may result in personal injury.
- Do not overreach. Keep proper footing and balance at all times. This enables better control of the power tool in unexpected situations.
- Dress properly. Do not wear loose clothing or jewelry. Keep your hair and clothing away from moving parts. Loose clothes, jewelry or long hair can be caught in moving parts.
- If devices are provided for the connection of dust extraction and collection facilities, ensure these are connected and properly used. Use of dust collection can reduce dust-related hazards.
- Do not let familiarity gained from frequent use of tools allow you to become complacent and ignore tool safety principles. A careless action can cause severe injury within a fraction of a second.

### POWER TOOL USE AND CARE

- Do not force the power tool. Use the correct power tool for your application. The correct power tool will do the job better and safer at the rate for which it was designed.
- Do not use the power tool if the switch does not turn it on and off. Any power tool that cannot be controlled with the switch is dangerous and must be repaired.
- Disconnect the plug from the power source and/or remove the battery pack, if detachable, from the power tool before making any adjustments, changing accessories, or storing power tools. Such preventive safety measures reduce the risk of starting the power tool accidentally.
- Store idle power tools out of the reach of children and do not allow persons unfamiliar with the power tool or these instructions to operate the power tool. Power tools are dangerous in the hands of untrained users.
- Maintain power tools and accessories. Check for misalignment or binding of moving parts, breakage of parts and any other condition that may affect the power tool's operation. If damaged, have the power tool repaired before use. Many accidents are caused by poorly maintained power tools.
- Keep cutting tools sharp and clean. Properly maintained cutting tools with sharp cutting edges are less likely to bind and are easier to control.
- Use the power tool, accessories and tool bits etc. in accordance with these instructions, taking into account the working conditions and the work to be performed. Use of the power tool for operations different from those intended could result in a hazardous situation.
- Keep handles and grasping surfaces dry, clean and free from oil and grease. Slippery handles and grasping surfaces do not allow for safe handling and control of the tool in unexpected situations.

### BATTERY TOOL USE AND CARE

- Recharge only with the charger specified by the manufacturer. A charger that is suitable for one type of battery pack may create a risk of fire when used with another battery pack.
- Use power tools only with specifically designed battery packs. Use of any other battery packs may create a risk of injury and fire.

- When battery pack is not in use, keep it away from other metal objects, like paper clips, coins, keys, nails, screws or other small metal objects, that can make a connection from one terminal to another. Shorting the battery terminals together may cause burns or a fire.
- Under abusive conditions, liquid may be ejected from the battery; avoid contact. If contact accidentally occurs, flush with water. If liquid contacts eyes, additionally seek medical help. Liquid ejected from the battery may cause irritation or burns.
- Do not use a battery pack or tool that is damaged or modified. Damaged or modified batteries may exhibit unpredictable behavior resulting in fire, explosion or risk of injury.
- Do not expose a battery pack or tool to fire or excessive temperature. Exposure to fire or temperature above 265°F (130°C) may cause explosion.
- Follow all charging instructions and do not charge the battery pack or tool outside the temperature range specified in the instructions. Charging improperly or at temperatures outside the specified range may damage the battery and increase the risk of fire.

### SERVICE

- Have your power tool serviced by a qualified repair person using only identical replacement parts. This will ensure that the safety of the power tool is maintained.
- Never service damaged battery packs. Service of battery packs should only be performed by the manufacturer or authorized service providers.

### SPECIFIC SAFETY RULES FOR IMPACT DRIVER AND IMPACT WRENCH

- Hold the power tool by insulated gripping surfaces, when performing an operation where the fastener may contact hidden wiring. Fasteners contacting a "live" wire may make exposed metal parts of the power tool "live" and could give the operator an electric shock.
- Wear ear protectors when impact drilling. Exposure to noise can cause hearing loss.
- Use only sockets and other accessories specifically designed for use on impact wrenches and drivers. Other sockets and accessories might shatter or break causing injury.
- Always use common sense and be cautious when using tools. It is not possible to anticipate every situation that could result in a dangerous outcome. Do not use this tool if you do not understand these operating instructions or you feel the work is beyond your capability; contact Milwaukee Tool or a trained professional for additional information or training.
- Maintain labels and nameplates. These carry important information. If unreadable or missing, contact a MILWAUKEE service facility for a free replacement.

- **WARNING** Some dust created by power sanding, sawing, grinding, drilling, and other construction activities contains chemicals known to cause cancer, birth defects or other reproductive harm. Some examples of these chemicals are:
  - lead from lead-based paint
  - crystalline silica from bricks and cement and other masonry products, and

arsenic and chromium from chemically-treated lumber. Your risk from these exposures varies, depending on how often you do this type of work. To reduce your exposure to these chemicals: work in a well ventilated area, and work with approved safety equipment, such as those dust masks that are specially designed to filter out microscopic particles.

### SYMBOLGY



Volts



Direct Current

$n_0$  XXXX min<sup>-1</sup> No Load Revolutions per Minute (RPM)

$n$  XXXX min<sup>-1</sup> Impacts per Minute Under Load (IPM)



Read Operator's Manual

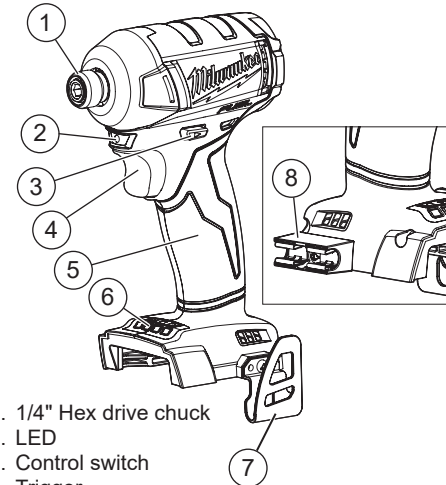


UL Listing for Canada and U.S.

### SPECIFICATIONS

Cat. No. ....	2760-20
Volts. ....	18 DC
Battery Type .....	M18™
Charger Type .....	M18™
RPM .....	0 - 3 000
IPM .....	0 - 4 000
Recommended Ambient Operating Temperature.....	0°F to 125°F

### FUNCTIONAL DESCRIPTION



1. 1/4" Hex drive chuck
2. LED
3. Control switch
4. Trigger
5. Handle
6. Speed control
7. Belt clip
8. Auxiliary bit holder

## ASSEMBLY

**WARNING** Recharge only with the charger specified for the battery. For specific charging instructions, read the operator's manual supplied with your charger and battery.

### Removing/Inserting the Battery

To remove the battery, push in the release buttons and pull the battery pack away from the tool.

**WARNING** Always lock the trigger or remove the battery pack any time the tool is not in use.

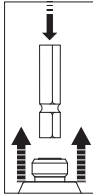
To insert the battery, slide the pack into the body of the tool. Make sure it latches securely into place.

**WARNING** Use only sockets and other accessories specifically designed for use on impact wrenches and drivers. Other sockets and accessories might shatter or break causing injury.

### Attaching and Removing Accessories

The tool is intended for use with drill and driver bits.

1. To attach an accessory, press the shank into the hex drive chuck.
2. To remove the accessory, pull out the ring and remove the accessory. Release the ring.



## OPERATION

**WARNING** Always remove battery pack before changing or removing accessories. Only use accessories specifically recommended for this tool. Others may be hazardous. To reduce the risk of injury, always wear proper eye protection marked to comply with ANSI Z87.1.

### Using the Control Switch

The control switch may be set to three positions: forward, reverse and lock. Due to a lockout mechanism, the control switch can only be adjusted when the ON/OFF switch is not pressed. Always allow the motor to come to a complete stop before using the control switch.

1. For forward (clockwise) rotation, push the control switch in the direction shown. Check the direction of rotation before use.
2. For reverse (counterclockwise) rotation, push the control switch in the direction shown. Check the direction of rotation before use.
3. To lock the trigger, push the control switch to the center position. The trigger will not work when the control switch is in the locked position. Always remove the battery pack before performing maintenance or changing accessories. Always lock the trigger or remove the battery pack before storing the tool and any time the tool is not in use.



## Selecting Speed

Allow the tool to come to a complete stop before changing speeds. Press the selector button to cycle between the settings.

Setting	Max RPM			
	1	2	3	
2760-20	900	2 100	3 000	Designed for driving self-tapping screws in sheet metal †

† The IIF function is designed to reduce screw stripping, screw breakage, and damage to the work surface when driving self-tapping screws. This function is optimized for the most common materials, including #8-#10 self-tapping screws between 1/2"-1" in length and 20-28 gauge sheet metal.

### Starting, Stopping and Controlling Speed

The tool may be operated at any speed from 0 to full speed.

1. To start the tool, grasp the handle(s) firmly and pull the trigger.  
**NOTE:** An LED is turned on when the trigger is pulled and will go off shortly after the trigger is released.
2. To vary the driving speed, increase or decrease pressure on the trigger. The further the trigger is pulled, the greater the speed, up to the maximum speed set by the speed control.
3. To stop the tool, release the trigger and the electric brake stops the tool instantly. Ensure the tool has come to a complete stop before laying the tool down.

## Impacting Techniques

The longer a bolt, screw, or nut is impacted, the tighter it will become. To help prevent damaging the fasteners or workpieces, avoid excessive impacting. Be particularly careful when impacting smaller fasteners because they require less impacting to reach optimum torque.

Practice with various fasteners, noting the length of time required to reach the desired torque. Check the tightness with a hand-torque wrench. If the fasteners are too tight, reduce the impacting time. If they are not tight enough, increase the impacting time. Oil, dirt, rust or other matter on the threads or under the head of the fastener affects the degree of tightness.

The torque required to loosen a fastener averages 75% to 80% of the tightening torque, depending on the condition of the contacting surfaces. On light gasket jobs, run each fastener down to a relatively light torque and use a hand torque wrench for final tightening.

## Temperature Protection

The tool features internal protections that prevent damage during extreme cold and overheating.

- If performance is abnormal in low temperature, pull the trigger with no load for about 10 seconds to warm up the tool.
- In extreme cold temperatures, the tool may shut down. Allow the tool to warm up before use.
- If performance is abnormal after heavy use, let the tool cool down for about 30 minutes. Normal performance will return.

## MAINTENANCE

**WARNING** To reduce the risk of injury, always unplug the charger and remove the battery pack from the charger or tool before performing any maintenance. Never disassemble the tool, battery pack or charger. Contact a MILWAUKEE service facility for ALL repairs.

### Maintaining Tool

Keep your tool, battery pack and charger in good repair by adopting a regular maintenance program. Inspect your tool for issues such as undue noise, misalignment or binding of moving parts, breakage of parts, or any other condition that may affect the tool operation. Return the tool, battery pack, and charger to a MILWAUKEE service facility for repair. After six months to one year, depending on use, return the tool, battery pack and charger to a MILWAUKEE service facility for inspection.

If the tool does not start or operate at full power with a fully charged battery pack, clean the contacts on the battery pack. If the tool still does not work properly, return the tool, charger and battery pack, to a MILWAUKEE service facility for repairs.

**WARNING** To reduce the risk of personal injury and damage, never immerse your tool, battery pack or charger in liquid or allow a liquid to flow inside them.

### Cleaning

Clean dust and debris from any vents. Keep tool clean, dry and free of oil or grease. Use only mild soap and a damp cloth to clean, since certain cleaning agents and solvents are harmful to plastics and other insulated parts. Some of these include gasoline, turpentine, lacquer thinner, paint thinner, chlorinated cleaning solvents, ammonia and household detergents containing ammonia. Never use flammable or combustible solvents around tools.

### Repairs

For repairs, return the tool, battery pack and charger to the nearest authorized service center.

## ACCESSORIES

**WARNING** Use only recommended accessories. Others may be hazardous.

For a complete listing of accessories, go online to [www.milwaukeeetool.com](http://www.milwaukeeetool.com) or contact a distributor.

## SERVICE - UNITED STATES

**1-800-SAWDUST (1.800.729.3878)**  
Monday-Friday, 7:00 AM - 6:30 PM CST  
or visit [www.milwaukeeetool.com](http://www.milwaukeeetool.com)

Contact Corporate After Sales Service Technical Support with technical, service/repair, or warranty questions.

Email: [metproductsupport@milwaukeeetool.com](mailto:metproductsupport@milwaukeeetool.com)

Become a Heavy Duty Club Member at [www.milwaukeeetool.com](http://www.milwaukeeetool.com) to receive important notifications regarding your tool purchases.

## SERVICE - CANADA

**Milwaukee Tool (Canada) Ltd**  
**1.800.268.4015**  
Monday-Friday, 7:00 AM - 4:30 PM CST  
or visit [www.milwaukeeetool.ca](http://www.milwaukeeetool.ca)

## LIMITED WARRANTY USA & CANADA

Every MILWAUKEE power tool\* (see exceptions below) is warranted to the original purchaser only to be free from defects in material and workmanship. Subject to certain exceptions, MILWAUKEE will repair or replace any part on an electric power tool which, after examination, is determined by MILWAUKEE to be defective in material or workmanship for a period of five (5) years\*\* after the date of purchase unless otherwise noted. Return of the power tool to a MILWAUKEE factory Service Center location or MILWAUKEE Authorized Service Station, freight prepaid and insured, is required. A copy of the proof of purchase should be included with the return product. This warranty does not apply to damage that MILWAUKEE determines to be from repairs made or attempted by anyone other than MILWAUKEE authorized personnel, misuse, alterations, abuse, normal wear and tear, lack of maintenance, or accidents.

Normal Wear: Many power tools need periodic parts replacement and service to achieve best performance. This warranty does not cover repair when normal use has exhausted the life of a part including, but not limited to, chucks, brushes, cords, saw shoes, blade clamps, o-rings, seals, bumpers, driver blades, pistons, strikers, lifters, and bumper cover washers.

\*This warranty does not cover Air Nailers & Staplers; Airless Paint Sprayer; Cordless Battery Packs; Gasoline Driven Portable Power Generators; Hand Tools; Hoist - Electric, Lever & Hand Chain; M12™ Heated Gear; Reconditioned Product; and Test & Measurement Products. There are separate and distinct warranties available for these products.

\*\*The warranty period for Job Site Radios, M12™ Power Port, M18™ Power Source, Jobsite Fan and Trade Titan™ Industrial Work Carts is one (1) year from the date of purchase. The warranty period for the M18 FUEL™ 1" D-Handle High Torque Impact Wrenches, Drain Cleaning Cables, AIRSNAKE™ Drain Cleaning Air Gun Accessories, and REDLITHIUM™ USB Laser Levels is two (2) years from the date of purchase. The warranty period for the M18™ Compact Heat Gun, 8 Gallon Dust Extractor, M18™ Framing Nailers, M18 FUEL™ 1/2" Ext. Anvil Controlled Torque Impact Wrench w/ ONE-KEY™, M18 FUEL™ 1" High Torque Impact Wrench w/ ONE-KEY™, M18 FUEL™ 2 Gal. Compact Quiet Compressor, M12™ Laser Levels, 165' Laser Detector, M12™ 23GA Pin Nailer, and M18 FUEL™ 1/4" Blind Rivet Tool w/ ONE-KEY™, and M12 FUEL™ Low Speed Tire Buffer is three (3) years from the date of purchase. The warranty period for the LED in the LED Work Light and the LED Upgrade Bulb for the Work Light is the lifetime of the product subject to the limitations above. If during normal use the LED or LED Bulb fails, the part will be replaced free of charge. Warranty Registration is not necessary to obtain the applicable warranty on a MILWAUKEE power tool product. The manufacturing date of the product will be used to determine the warranty period if no proof of purchase is provided at the time warranty service is requested.

ACCEPTANCE OF THE EXCLUSIVE REPAIR AND REPLACEMENT REMEDIES DESCRIBED HEREIN IS A CONDITION OF THE CONTRACT FOR THE PURCHASE OF EVERY MILWAUKEE PRODUCT. IF YOU DO NOT AGREE TO THIS CONDITION, YOU SHOULD NOT PURCHASE THE PRODUCT. IN NO EVENT SHALL MILWAUKEE BE LIABLE FOR ANY INCIDENTAL, SPECIAL, CONSEQUENTIAL OR PUNITIVE DAMAGES, OR FOR ANY COSTS, ATTORNEY FEES, EXPENSES, LOSSES OR DELAYS ALLEGED TO BE AS A CONSEQUENCE OF ANY DAMAGE TO, FAILURE OF, OR DEFECT IN ANY PRODUCT INCLUDING, BUT NOT LIMITED TO, ANY CLAIMS FOR LOSS OF PROFITS. SOME STATES DO NOT ALLOW THE EXCLUSION OR LIMITATION OF INCIDENTAL OR CONSEQUENTIAL DAMAGES, SO THE ABOVE LIMITATION OR EXCLUSION MAY NOT APPLY TO YOU. THIS WARRANTY IS EXCLUSIVE AND IN LIEU OF ALL OTHER EXPRESS WARRANTIES, WRITTEN OR ORAL, TO THE EXTENT PERMITTED BY LAW. MILWAUKEE DISCLAIMS ANY IMPLIED WARRANTIES, INCLUDING WITHOUT LIMITATION ANY IMPLIED WARRANTY OF MERCHANTABILITY OR FITNESS FOR A PARTICULAR USE OR PURPOSE; TO THE EXTENT SUCH DISCLAIMER IS NOT PERMITTED BY LAW, SUCH IMPLIED WARRANTIES ARE LIMITED TO THE DURATION OF THE APPLICABLE EXPRESS WARRANTY AS DESCRIBED ABOVE. SOME STATES DO NOT ALLOW LIMITATIONS ON HOW LONG AN IMPLIED WARRANTY LASTS, SO THE ABOVE LIMITATION MAY NOT APPLY TO YOU. THIS WARRANTY GIVES YOU SPECIFIC LEGAL RIGHTS, AND YOU MAY ALSO HAVE OTHER RIGHTS WHICH VARY FROM STATE TO STATE.

This warranty applies to product sold in the U.S.A. and Canada only. Please consult the "Service Center Search" in the Parts & Service section of MILWAUKEE's website [www.milwaukeeetool.com](http://www.milwaukeeetool.com) or call 1.800.SAWDUST (1.800.729.3878) to locate your nearest service facility for warranty and non-warranty service on a Milwaukee electric power tool.



## RÈGLES DE SÉCURITÉ GÉNÉRALES RELATIVES AUX OUTILS ÉLECTRIQUES

**AVERTISSEMENT** Lire toutes les consignes de sécurité, consignes, illustrations et spécifications fournies avec cet outil électrique. Ne pas suivre l'ensemble des règles et instructions peut entraîner une électrocution, un incendie ou des blessures graves. **Conserver les règles et les instructions à des fins de référence ultérieure.** Le terme « outil électrique » figurant dans les avertissements ci-dessous renvoie à l'outil électrique à alimentation par le réseau (à cordon) ou par batterie (sans fil).

### SÉCURITÉ DU LIEU DE TRAVAIL

- Veillez à ce que l'aire de travail soit propre et bien éclairée. Le désordre et le manque de lumière favorisent les accidents.
- Ne pas utiliser d'outils électriques dans des atmosphères explosives, par exemple en présence de liquides, gaz ou poussières inflammables. Les outils électriques produisent des étincelles risquant d'enflammer les poussières ou vapeurs.
- S'assurer que les enfants et les curieux se trouvent à une bonne distance au moment d'utiliser un outil électrique. Les distractions peuvent causer une perte de contrôle.

### SÉCURITÉ ÉLECTRIQUE

- Les fiches des outils électriques doivent correspondre à la prise secteur utilisée. Ne jamais modifier la fiche, de quelque façon que ce soit. Ne jamais utiliser d'adaptateurs de fiche avec des outils mis à la terre. Les fiches et prises non modifiées réduisent le risque de choc électrique.
- Éviter tout contact avec des surfaces mises à la terre comme des tuyaux, des radiateurs, des cuisinières et des réfrigérateurs. Le risque de choc électrique est accru lorsque le corps est mis à la terre.
- Ne pas exposer les outils électriques à l'eau ou l'humidité. La pénétration d'eau dans ces outils accroît le risque de choc électrique.
- Ne pas maltraiter le cordon d'alimentation. Ne jamais utiliser le cordon d'alimentation pour transporter l'outil électrique et ne jamais débrancher ce dernier en tirant sur le cordon. Garder le cordon à l'écart de la chaleur, de l'huile, des objets tranchants et des pièces en mouvement. Un cordon endommagé ou emmêlé accroît le risque de choc électrique.
- Pour les travaux à l'extérieur, utiliser un cordon spécialement conçu à cet effet. Utiliser un cordon conçu pour l'usage extérieur réduit les risques de choc électrique.
- Si l'utilisation d'un outil électrique est inévitable dans un endroit humide, utiliser une source d'alimentation munie d'un disjoncteur de fuite de terre. L'utilisation d'un disjoncteur de fuite de terre réduit le risque de choc électrique.

### SÉCURITÉ INDIVIDUELLE

- Rester attentif, prêter attention au travail et faire preuve de bon sens lors de l'utilisation de tout outil électrique. Ne pas utiliser cet appareil en cas de fatigue ou sous l'influence de l'alcool, de drogues ou de médicaments. Un moment d'inattention pendant l'utilisation d'un outil électrique peut entraîner des blessures graves.

- Porter l'équipement de protection individuel requis. Toujours porter une protection oculaire. Selon les conditions, porter aussi un masque anti-poussières, des bottes de sécurité antidérapantes, un casque protecteur ou une protection auditive afin de réduire les blessures.
- Empêcher les démarrages accidentels. S'assurer que la gâchette est en position d'arrêt avant de brancher l'outil à une source de courant, d'insérer la batterie, de le raccorder ou de le transporter. Le fait de transporter un outil électrique en gardant le doigt sur la gâchette ou de mettre sous tension un outil électrique lorsque la gâchette est en position de marche favorise les accidents.
- Retirer les clés de réglage avant de mettre l'outil en marche. Une clé laissée sur une pièce rotative de l'outil peut causer des blessures.
- Ne pas travailler hors de portée. Toujours se tenir bien campé et en équilibre. Une bonne stabilité procure un meilleur contrôle de l'outil électrique en cas d'imprévu.
- Porter une tenue appropriée. Ne porter ni vêtements amples, ni bijoux. Garder les cheveux et les vêtements à l'écart des pièces en mouvement. Les vêtements flottants, les bijoux ou les cheveux longs risquent d'être happés par les pièces en mouvement.
- Si les outils sont équipés de dispositifs de dépoussiérage, s'assurer qu'ils sont connectés et correctement utilisés. L'utilisation d'un collecteur de poussière permet de réduire les dangers liés à la poussière.
- Ne pas laisser la familiarité avec l'outil acquise par une utilisation fréquente vous rendre suffisant et vous amener à ignorer les règles de sécurité. Une utilisation négligée peut causer une blessure grave en une fraction de seconde.

### UTILISATION ET ENTRETIEN DE L'OUTIL ÉLECTRIQUE

- Ne pas forcer l'outil électrique. Utiliser l'outil électrique approprié pour l'application. Un outil électrique approprié exécutera le travail mieux et de façon moins dangereuse s'il est utilisé dans les limites prévues.
- Ne pas utiliser l'outil électrique si le commutateur ne permet pas de le mettre en marche ou de l'arrêter. Tout outil électrique qui ne peut pas être contrôlé par son commutateur est dangereux et doit être réparé.
- Débrancher l'outil et/ou retirer le bloc-piles, si possible, avant d'effectuer des réglages, de changer d'accessoire ou de remettre l'outil. Ces mesures de sécurité préventives réduisent les risques de démarrage accidentel de l'outil.
- Entreposer l'outil électrique hors de la portée des enfants et interdire à quiconque de l'utiliser si la personne ne connaît pas bien le produit ou les instructions. Les outils électriques sont dangereux dans les mains d'utilisateurs novices.
- Entretenir les outils électriques et les accessoires. Vérifier qu'aucune pièce mobile n'est mal alignée ou bloquée, qu'aucune pièce n'est brisée et s'assurer qu'aucun autre problème risque d'affecter le bon fonctionnement de l'outil. En cas de dommages, faire réparer l'outil avant de l'utiliser. Plusieurs accidents sont causés par des produits mal entretenus.

- Garder les outils bien affûtés et propres. Des outils correctement entretenus et dont les tranchants sont bien affûtés risquent moins de se bloquer et sont plus faciles à contrôler.
- Utiliser l'outil électrique, les accessoires, les embouts etc. conformément à ces instructions en tenant compte des conditions de travail et de la tâche à effectuer. L'usage d'un outil électrique pour des applications pour lesquelles il n'est pas conçu peut être dangereux.
- Garder les poignées et les surfaces de préhension sèches, propres et exemptes d'huile ou de graisse. Des poignées et des surfaces de préhension glissantes ne permettent pas de manipuler et de contrôler l'outil en toute sécurité en cas de situation imprévue.

### UTILISATION ET ENTRETIEN DE LA BATTERIE

- Pour recharger le bloc-piles, utiliser seulement le chargeur spécifié par le fabricant. Un chargeur pouvant convenir à un type de bloc-piles peut entraîner un risque d'incendie lorsqu'il est utilisé avec un autre type de bloc-piles.
- N'utiliser l'outil électrique qu'avec une batterie recommandée. L'utilisation de tout autre bloc-piles peut créer un risque de blessures et d'incendie.
- Lorsque le bloc-piles n'est pas utilisé, le tenir éloigné des objets en métal tels que les trombones, les pièces de monnaie, les clés, les clous, les vis ou d'autres petits objets métalliques qui pourraient connecter les bornes. Le court-circuitage des bornes d'une pile peut entraîner des brûlures ou un incendie.
- Éviter tout contact avec le liquide pouvant être éjecté de la pile en cas de manutention abusive. En cas de contact accidentel, rincer immédiatement les parties atteintes avec de l'eau. Si le liquide entre en contact avec les yeux, consulter un médecin. Le liquide éjecté des piles peut causer des irritations ou des brûlures.
- N'utiliser aucun bloc-piles ni aucun outil ayant été endommagé ou modifié. Des piles endommagées ou modifiées peuvent adopter un comportement imprévisible pouvant causer un incendie, une explosion ou le risque de blessures.
- Ne pas exposer le bloc-piles ou l'outil aux flammes ou à une température excessive. Une exposition aux flammes ou à une température supérieure à 130°C (265°F) peut causer une explosion.
- Suivre toutes les instructions de charge et ne pas charger le bloc-piles ou l'outil en dehors de la plage de température spécifiée. Une charge incorrecte ou à des températures en dehors de la plage spécifiée peut endommager la pile et augmenter le risque d'incendie.

### ENTRETIEN

- Les réparations de l'outil électrique doivent être confiées à un technicien qualifié, utilisant exclusivement des pièces identiques à celles d'origine. Le maintien de la sûreté de l'outil électrique sera ainsi assuré.
- Ne jamais effectuer la réparation d'un bloc-piles endommagé. La réparation du bloc-piles doit être réalisée par le fabricant ou les fournisseurs de service agréés uniquement.

## RÈGLES DE SÉCURITÉ SPÉCIFIQUES AUX CLÉS À CHOCS ET AUX TOURNEVIS À PERCUSSION

- Lorsque l'outil électrique est utilisé pour un travail risquant de mettre le dispositif de fixation en contact avec des fils électriques cachés, tenez l'outil par les surfaces de prise isolées. Le contact d'un dispositif de fixation avec un fil sous tension « électrifié » les pièces métalliques exposées de l'outil et peut électrocuter l'utilisateur.
- Porter des protège-oreilles avec un marteau perforateur. Une exposition au bruit peut provoquer une perte auditive.
- N'utilisez que des douilles ou des accessoires spécifiquement conçus pour les clés à chocs et les visseuses. D'autres douilles ou accessoires pourraient se briser ou éclater et entraîner des blessures.
- Toujours faire preuve de bon sens et procéder avec prudence lors de l'utilisation d'outils. C'est impossible de prévoir toutes les situations dont le résultat est dangereux. Ne pas utiliser cet outil si vous ne comprenez pas ces instructions d'opération ou si vous pensez que le travail dépasse votre capacité ; veuillez contacter Milwaukee Tool ou un professionnel formé pour recevoir plus d'information ou formation.
- Maintenir en l'état les étiquettes et les plaques d'identification. Des informations importantes y figurent. Si elles sont illisibles ou manquantes, contacter un centre de services et d'entretien MILWAUKEE pour un remplacement gratuit.

- **AVERTISSEMENT** Certaines poussières générées par les activités de ponçage, de coupe, de rectification, de perçage et d'autres activités de construction contiennent des substances considérées être la cause de malformations congénitales et de troubles de l'appareil reproducteur. Parmi ces substances figurent :
  - le plomb contenu dans les peintures à base de plomb ;
  - la silice cristalline des briques, du ciment et d'autres matériaux de maçonnerie, ainsi que
  - l'arsenic et le chrome des sciages traités chimiquement.Les risques encourus par l'opérateur envers ces expositions varient en fonction de la fréquence de ce type de travail. Pour réduire l'exposition à ces substances chimiques, l'opérateur doit : travailler dans une zone bien ventilée et porter l'équipement de sécurité approprié, tel qu'un masque anti-poussière spécialement conçu pour filtrer les particules microscopiques.

### PICTOGRAPHIE



Volts



Courant direct

$n_r$  XXXX min<sup>-1</sup> Tours-minute à vide (RPM)

$n$  XXXX min<sup>-1</sup> Impacts par minute à charge (IPM)

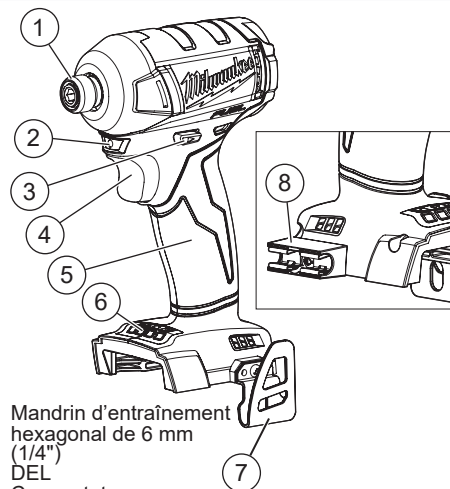


Lire le manuel d'utilisation



UL Listing Mark pour Canada et États-unis

## DESCRIPTION FONCTIONNELLE



1. Mandrin d'entraînement hexagonal de 6 mm (1/4")
2. DEL
3. Commutateur
4. Gâchette
5. Poignée
6. Commande d'entraînement
7. Crochet de ceinture
8. Porte-embout auxiliaire

## SPECIFICATIONS

No de Cat.....	2760-20
Volts.....	18 CD
Type de batterie.....	M18™
Type de chargeur.....	M18™
RPM.....	0 - 3 000
IPM.....	0 - 4 000
Température ambiante de fonctionnement recommandée .....	-18°C à 50°C (0°F à 125°F)

## MONTAGE DE L'OUTIL

**AVERTISSEMENT** Ne recharger la batterie qu'avec le chargeur spécifié. Pour les instructions de charge spécifiques, lire le manuel d'utilisation fourni avec le chargeur et les batteries.

### Insertion/Retrait de la batterie

Pour retirer la batterie, enfoncer les boutons de déverrouillage et la tirer hors de l'outil.

**AVERTISSEMENT** Toujours verrouiller la détente ou retirer la batterie les fois que l'outil est inutilisé.

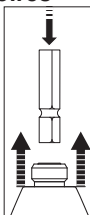
Pour insérer la batterie, la glisser dans le corps de l'outil. S'assurer qu'elle est fixée solidement.

**AVERTISSEMENT** N'utilisez que des douilles ou des accessoires spécifiquement conçus pour les clés à chocs et les visseuses. D'autres douilles ou accessoires pourraient se briser ou éclater et entraîner des blessures.

### Installation et retrait d'accessoires

L'outil est conçu pour être utilisé avec des forets et des mèches d'entraînement.

1. Pour attacher un accessoire, enfoncer la queue dans le mandrin d'entraînement hexagonal.
2. Pour retirer l'accessoire, tirer l'anneau et enlever l'accessoire. Relâcher l'anneau.



## MANIEMENT

**AVERTISSEMENT** Il faut toujours retirer la batterie et verrouiller la détente de l'outil avant de changer ou d'enlever les accessoires. L'emploi d'accessoires autres que ceux qui sont expressément recommandés pour cet outil peut comporter des risques.

Afin de minimiser le risque de blessures, toujours porter la protection oculaire appropriée certifiée conforme à la norme ANSI Z87.1.

### Utilisation du commutateur

Le commutateur peut être réglé sur trois positions: marche avant, marche arrière et verrouillée. En raison d'un mécanisme de verrouillage, le commutateur ne peut être réglé que lorsque la commande MARCHE/ARRÊT n'est pas enfoncée. Toujours laisser le moteur s'arrêter complètement avant d'utiliser le commutateur.

1. Pour une rotation en marche avant (dans le sens horaire), pousser le commutateur sur le côté droit de l'outil. Vérifier la direction de rotation avant utilisation.
2. Pour une rotation en marche arrière (dans le sens anti-horaire), pousser le commutateur sur le côté gauche de l'outil. Vérifier la direction de rotation avant utilisation.
3. Pour verrouiller la détente, pousser le commutateur vers la position centrale. La détente ne fonctionne pas tant que le commutateur est sur la position verrouillée centrale. Toujours retirer la batterie avant d'effectuer un entretien ou de changer d'accessoire. Toujours verrouiller la détente ou retirer la batterie avant de remettre l'outil et toutes les fois que l'outil est inutilisé.



### Sélection de la vitesse

Attendez l'arrêt complet de l'outil avant de changer de vitesse. Appuyez sur le bouton de sélection pour basculer entre les divers modes.

Réglage	TR/MIN max			MILWAUKEE Conçu pour l'entraînement des vis autotaraudeuses dans une tôle métallique †
	1	2	3	
2760-20	900	2 100	3 000	

† La fonction **MILWAUKEE** est destinée à réduire le décapage des vis et leur cassure ainsi que l'endommagement de la surface de travail lors de l'entraînement des vis autotaraudeuses. Cette fonction est optimisée pour les matériaux les plus communs, dont les vis autotaraudeuses n° 8 - n° 10, d'une longueur de 13-25,40 mm (1/2"-1") et d'un calibre de tôle métallique de 20-28.

### Démarrage, arrêt et contrôle de vitesse

L'outil peut être utilisé à n'importe quelle vitesse entre 0 et le plein régime.

1. Pour mettre l'outil en marche, saisir fermement la poignée(s) et tirer sur la détente.
2. Pour varier la vitesse de rotation, il s'agit simplement d'augmenter ou de diminuer la pression sur la détente. Plus la détente est tirée, plus la vitesse est grande; jusqu'à la vitesse maximale réglée par voie de la commande de vitesse.
3. Pour arrêter l'outil, relâchez la gâchette et le frein électrique arrête l'outil instantanément. S'assurer que l'outil parvienne à s'arrêter complètement avant de le déposer.

### Techniques de serrage

Le degré de serrage du boulon, de la vis ou de l'écrou est proportionnel à la durée de la percussion. Pour éviter d'endommager les fixations ou le matériau, limitez la durée de la percussion. Soyez particulièrement prudent lorsque vous serrez des fixations de petit calibre qui requièrent moins de percussion. Pratiquez le serrage à percussion avec divers types de fixations afin d'apprendre quelle est la durée de percussion nécessaire pour obtenir le couple désiré. Vérifiez le serrage à l'aide d'une clé dynamométrique. Si la fixation est trop serrée, réduisez la durée de percussion. Si la fixation n'est pas serrée à fond, augmentez la durée de percussion. L'huile, la poussière ou d'autres saletés sur le filetage ou sous la tête de la fixation peuvent affecter le degré de serrage.

Le couple nécessaire pour desserrer une fixation est, en moyenne, 75 % à 80 % du couple nécessaire pour la serrer, selon l'état des surfaces en contact. Pour les simples tâches de joint d'étanchéité, percez chaque fixation pour un serrage relativement léger et terminez le serrage à la main à l'aide de la clé dynamométrique.

### Protection thermique

L'outil intègre des protections internes qui empêchent tout dommage causé par une surchauffe ou des conditions de froid extrême.

- Si le rendement s'avère anormal à basse température, appuyer sur la gâchette sans charge pendant environ 10 secondes pour réchauffer l'outil.
- En présence de températures extrêmement froides, l'outil peut s'arrêter. Laisser l'outil se réchauffer avant de le réutiliser.
- Si le rendement s'avère anormal après un usage intensif, laisser l'outil se refroidir pendant environ 30 minutes. Il retrouvera ainsi son rendement normal.

## ENTRETIEN

**AVERTISSEMENT** Pour minimiser les risques de blessures corporelles, débranchez le chargeur et retirez la batterie du chargeur ou de l'outil avant d'y effectuer des travaux d'entretien. Ne démontez jamais l'outil, la batterie ou le chargeur. Pour toute réparation, consultez un centre de service MILWAUKEE accrédité.

### Entretien de l'outil

Gardez l'outil en bon état en adoptant un programme d'entretien ponctuel. Inspectez votre outil pour des questions telles que le bruit excessif, de grippage des pièces mobiles, de pièces cassées ou toute autre condition qui peut affecter le fonctionnement de l'outil. Retournez votre outil à un centre de service MILWAUKEE accrédité pour obtenir le service. Après une période pouvant aller de 6 mois à un an, selon l'usage, retournez votre outil à un centre de service MILWAUKEE accrédité pour d'inspection.

Si l'outil ne démarre pas ou ne fonctionne pas à pleine puissance alors qu'il est branché sur une batterie complètement chargée, nettoyez les points de contact entre la batterie et l'outil. Si l'outil ne fonctionne toujours pas correctement, renvoyez l'outil, le chargeur et la batterie à un centre de service MILWAUKEE accrédité.

**AVERTISSEMENT** Pour minimiser les risques de blessures ou de dommages à l'outil, n'immergez jamais l'outil, la batterie ou le chargeur et ne laissez pas de liquide s'y infiltrer.

### Nettoyage

Débarrassez les tous événements des débris et de la poussière. Gardez les outils propres, à sec et exempts d'huile ou de graisse. Le nettoyage doit se faire avec un linge humide et un savon doux. Certains nettoyants tels l'essence, la térébenthine, les diluants à laque ou à peinture, les solvants chlorés, l'ammoniaque et les détergents d'usage domestique qui en contiennent pourraient détériorer le plastique et l'isolation des pièces. Ne laissez jamais de solvants inflammables ou combustibles auprès des outils.

### Réparations

Pour les réparations, retournez l'outil, batterie et chargeur en entier au centre-service autorisé le plus près.

## ACCESSOIRES

**AVERTISSEMENT** L'utilisation d'autres accessoires que ceux qui sont spécifiquement recommandés pour cet outil peut comporter des risques. Pour une liste complète des accessoires, visiter le site internet [www.milwaukeetool.com](http://www.milwaukeetool.com) ou contactez un distributeur.



## SERVICE - CANADA

**Milwaukee Tool (Canada) Ltd**  
1.800.268.4015  
Monday-Friday, 7:00 AM - 4:30 PM CST  
www.milwaukeetool.ca

## GARANTIE LIMITÉE - AUX ÉTATS-UNIS ET AU CANADA

Chaque outil électrique\* MILWAUKEE (voir exceptions ci-dessous) est garanti à l'acheteur d'origine uniquement pour être exempt de vices de matériaux ou de fabrication. Sous réserve de certaines exceptions, MILWAUKEE réparera ou remplacera toute pièce d'un outil électrique qui, après examen par MILWAUKEE, s'est avérée être affectée d'un vice de matériau ou de fabrication et ce pendant une période de cinq (5) ans\*\* à compter de la date d'achat, sauf indication contraire. Retourner l'outil électrique à un centre de réparation en usine MILWAUKEE ou à un poste d'entretien agréé MILWAUKEE, en port prépayé et assuré. Une copie de la preuve d'achat doit être présentée lors du retour du produit. Cette garantie ne couvre pas les dommages que MILWAUKEE détermine être causés par des réparations ou des tentatives de réparation par quiconque autre que le personnel agréé par MILWAUKEE, ou par des utilisations incorrectes, des altérations, des utilisations abusives, une usure normale, une carence d'entretien ou des accidents.

Usure normale : Plusieurs outils électriques requièrent un remplacement et un entretien périodique de leurs pièces pour un meilleur rendement. Cette garantie ne couvre pas la réparation des pièces due à l'utilisation normale de l'outil, y compris, mais sans s'y limiter, les mandrins, les brosses, les cordes, les sabots de scie, les portelames, les joints toriques, les joints, les amortisseurs, les lames d'entraînement, les pistons, les perceurs, les crochets et les rondelles à couvercle amortisseur.

\*Cette garantie ne s'applique pas aux cloueuses-agrafeuses pneumatiques, aux pulvérisateurs à peinture sans air, aux blocs-piles pour outils sans fil, aux génératrices d'alimentation portatives à essence, aux outils à main, aux monte-charges - électriques, à levier et à chaîne, aux vestes chauffantes M12™, aux produits ré-usinés, ni aux produits d'essai et de mesure. Il existe des garanties séparées distinctes pour ces produits.

\*\*La période de garantie applicable pour les radios de chantier, le port d'alimentation M12™, la source électrique M18™, le ventilateur de chantier et les chariots de travail industriels Trade Titan™ est d'une durée d'un (1) an à compter de la date d'achat. La période de garantie pour les M18 FUEL™ 1" chocs à couple élevé à poignée en « D », câbles de nettoyage des drains, les accessoires de pistolet à air de vidange AIRSNAKE™ et les niveaux laser USB REDLITHIUM® est de deux (2) ans à compter de la date d'achat. La période de garantie pour le pistolet thermique compact M18™, dépoussiéreur de 8 gallons, M18™ cloueuses à ossature, M18 FUEL™ 1/2" clé à chocs de enclume prolongé, couple contrôlé avec ONE-KEY™, M18 FUEL™ 1" clé à chocs de couple élevé avec ONE-KEY™, M18 FUEL™ compresseur silencieux compact de 7,6 L, les niveaux laser M12™, détecteur laser de 19,8 m, cloueuse à chevilles 23GA M12™, M18 FUEL™ 6,4 mm riveteuse aveugle avec ONE-KEY™, et tampon de pneus basse vitesse M12 FUEL™ est de trois (3) ans à compter de la date d'achat. La période de garantie couvrant la DEL de la lampe de travail à DEL et l'ampoule améliorée à DEL de la lampe de travail est une garantie à vie du produit soumise aux limitations ci-dessus. En cas de défaillance de la DEL ou de l'ampoule à DEL pendant son utilisation normale, la pièce défectueuse sera remplacée gratuitement. L'enregistrement de la garantie n'est pas nécessaire pour bénéficier de la garantie en vigueur sur un outil électrique MILWAUKEE. La date de fabrication du produit servira à établir la période de garantie, si aucune preuve d'achat n'est fournie lorsqu'une demande de service sous garantie est déposée.

L'ACCEPTATION DES RECOURS EXCLUSIFS DE RÉPARATION ET DE REMPLACEMENT DÉCRITS DANS LES PRÉSENTES EST UNE CONDITION DU CONTRAT D'ACHAT DE TOUT PRODUIT MILWAUKEE. SI VOUS N'ACCEPTÉZ PAS CETTE CONDITION, VOUS NE DEVEZ PAS ACHETER LE PRODUIT. EN AUCUN CAS, MILWAUKEE NE SAURAIT ÊTRE RESPONSABLE DE TOUT DOMMAGE ACCESSOIRE, SPÉCIAL OU INDIRECT, DE DOMMAGES-INTÉRÊTS PUNITIFS OU DE TOUTE DÉPENSE, D'HONORAIRES D'AVOCAT, DE FRAIS, DE PERTE OU DE DÉLAIS ACCESSOIRES À TOUT DOMMAGE, DÉFAILLANCE OU DÉFAUT DE TOUT PRODUIT, Y COMPRIS NOTAMMENT LES PERTES DE PROFIT. CERTAINS ÉTATS ET PROVINCES NE PERMETTANT L'EXCLUSION OU LA LIMITATION DES DOMMAGES DIRECTS OU INDIRECTS, LES RESTRICTIONS CI-DESSUS PEUVENT NE PAS VOUS ÊTRE APPLICABLES. CETTE GARANTIE EST EXCLUSIVE ET REMPLACE TOUTE AUTRE GARANTIE EXPRESSE, QU'ELLE SOIT VERBALE OU ÉCRITE, DANS LA MESURE PERMISE PAR LA LOI, MILWAUKEE RENONCE À TOUTE GARANTIE IMPLICITE, Y COMPRIS, MAIS SANS S'Y LIMITER, TOUTE GARANTIE IMPLICITE DE QUALITÉ MARCHANDE OU D'ADAPTATION À UNE UTILISATION OU À UNE FIN PARTICULIÈRE, DANS LA MESURE OU UNE TELLE STIPULATION D'EXONÉRATION N'EST PAS PERMISE PAR LA LOI. LA DURÉE DE CES GARANTIES IMPLICITES EST LIMITÉE À LA PÉRIODE APPLICABLE DE LA GARANTIE EXPRESSE, TEL QUE CELA EST DÉCRIT PRÉCÉDEMMENT. CERTAINS ÉTATS ET PROVINCES NE PERMETTANT PAS DE LIMITATION DE DURÉE DES GARANTIES IMPLICITES, LES RESTRICTIONS CI-DESSUS PEUVENT DONC NE PAS VOUS ÊTRE APPLICABLES. LA PRÉSENTE VOUS CONFÈRE DES DROITS LÉGAUX PARTICULIERS; VOUS BÉNÉFICIEZ ÉGALEMENT D'AUTRES DROITS QUI VARIENT D'UN ÉTAT À UN AUTRE.

Cette garantie s'applique aux produits vendus aux États-Unis et au Canada uniquement.

Veuillez consulter la rubrique Centre SAV Milwaukee, dans la section Pièces et Services du site Web de MILWAUKEE, à l'adresse www.milwaukeetool.com, ou composer le 1-800-SAWDUST (1-800-729-3878) afin de trouver le centre de service de votre région le plus proche pour l'entretien, sous garantie ou non, de votre outil électrique Milwaukee.

## ADVERTENCIAS DE SEGURIDAD GENERALES PARA LA HERRAMIENTA ELÉCTRICA

**⚠️ ADVERTENCIA** Lea todas las advertencias de seguridad, instrucciones, ilustraciones y especificaciones con esta herramienta eléctrica. Si no sigue todas las advertencias e instrucciones, se pueden provocar una descarga eléctrica, un incendio o lesiones graves. **Guarde todas las advertencias e instrucciones para consultarlas en el futuro.** El término "herramienta eléctrica" en todas las advertencias incluidas más abajo se refiere a su herramienta operada por conexión (cable) a la red eléctrica o por medio de una batería (inalámbrica).

## SEGURIDAD EN EL ÁREA DE TRABAJO

- **Mantenga el área de trabajo limpia y bien iluminada.** Las áreas desordenadas u oscuras son propicias para los accidentes.
- **No utilice herramientas eléctricas en atmósferas explosivas, tales como en presencia de líquidos, gases o polvos inflamables.** Las herramientas eléctricas generan chispas que pueden encender el polvo o los vapores.
- **Mantenga a los niños y a los espectadores alejados mientras utiliza una herramienta eléctrica.** Las distracciones pueden ocasionar la pérdida de control.

## SEGURIDAD ELÉCTRICA

- **Los enchufes de la herramienta eléctrica deben coincidir con el tomacorriente. Nunca modifique el enchufe de ninguna manera. No utilice adaptadores de enchufe con herramientas eléctricas aterrizadas.** Los enchufes y tomacorrientes correspondientes sin modificar reducirán el riesgo de descarga eléctrica.
- **Evite el contacto corporal con superficies aterrizadas, tales como tuberías, radiadores, estufas y refrigeradores.** Existe un riesgo mayor de descarga eléctrica si su cuerpo está aterrizado.
- **No exponga las herramientas eléctricas a la lluvia ni a condiciones húmedas.** Si se introduce agua en una herramienta eléctrica, aumentará el riesgo de descarga eléctrica.
- **No maltrate el cable. Nunca utilice el cable para cargar, jalar o desconectar la herramienta eléctrica.** Mantenga el cable alejado del calor, el aceite, los bordes afilados o las partes en movimiento. Los cables dañados o enredados aumentan el riesgo de descarga eléctrica.
- **Al utilizar una herramienta eléctrica en exteriores, utilice una extensión adecuada para uso en exteriores.** El uso de una extensión adecuada para el uso en exteriores disminuye el riesgo de descarga eléctrica.
- **Si es inevitable utilizar una herramienta eléctrica en un lugar húmedo, utilice un alimentador de corriente protegido con un interruptor de circuito por falla de conexión a tierra (GFCI).** El uso de un GFCI reduce el riesgo de descarga eléctrica.

## SEGURIDAD PERSONAL

- **Manténgase alerta, atento a lo que está haciendo y utilice el sentido común al utilizar una herramienta eléctrica. No utilice una herramienta eléctrica mientras está cansado o bajo la influencia de drogas, alcohol o medicamentos.** Un momento de distracción al utilizar herramientas eléctricas puede ocasionar lesiones personales graves.
- **Utilice equipo de protección personal. Siempre use protección para los ojos.** El equipo de protección, tal como una máscara contra polvo, calzado antideshlizante, casco o protección auditiva, utilizado para condiciones adecuadas disminuirá las lesiones personales.
- **Evite el arranque accidental. Asegúrese de que el interruptor esté en la posición de apagado antes de conectarlo a una fuente de poder y/o batería, levantar o trasladar la herramienta.** Trasladar herramientas con el dedo en el interruptor o energizar herramientas eléctricas que tienen el interruptor encendido propicia accidentes.
- **Retire cualquier llave de ajuste antes de entender la herramienta.** Una llave que se deje insertada en una parte giratoria de la herramienta eléctrica puede ocasionar lesiones personales.
- **No estire el cuerpo demasiado. Mantenga un buen contacto entre los pies y el suelo y mantenga el equilibrio en todo momento.** Esto permite un mejor control de la herramienta eléctrica en situaciones inesperadas.
- **Vístase adecuadamente. No utilice ropa o joyería holgada. Mantenga el cabello y la ropa alejados de las partes móviles.** La ropa holgada, las alhajas o el cabello largo pueden quedarse atrapados en las partes móviles.
- **Si se proporcionan dispositivos para la conexión de instalaciones de extracción y recolección de polvo, cerciédese de que estén conectados y se utilicen correctamente.** El uso de dispositivos recolectores de polvo puede disminuir los riesgos relacionados con el polvo.
- **No permita que la familiaridad por el uso frecuente de las herramientas lo hagan sentirse seguro e ignoren los principios de seguridad de las herramientas.** Un descuido puede provocar lesiones graves en una fracción de segundo.

## USO Y CUIDADO DE LAS HERRAMIENTAS ELÉCTRICAS

- **No fuerce la herramienta eléctrica. Utilice la herramienta eléctrica correcta para su aplicación.** La herramienta eléctrica correcta realizará el trabajo mejor y con mayor seguridad a la velocidad para la que fue diseñada.
- **No utilice la herramienta eléctrica si el interruptor no la enciende y la apaga.** Cualquier herramienta eléctrica que no pueda controlarse con el interruptor es peligrosa y debe repararse.
- **Desconecte el enchufe de la fuente de energía y/o quite la batería de la herramienta eléctrica, si es posible, antes de realizar cualquier ajuste, cambiar accesorios o almacenar las herramientas eléctricas.** Tales medidas preventivas de seguridad disminuyen el riesgo de que la herramienta eléctrica se encienda accidentalmente.

•Almacene las herramientas eléctricas que no se estén utilizando fuera del alcance de los niños y no permita que personas que no estén familiarizadas con la herramienta eléctrica o con estas instrucciones la utilicen. Las herramientas eléctricas son peligrosas en manos de usuarios sin capacitación.

•Dé mantenimiento a las herramientas eléctricas y accesorios. Verifique que no haya desalineación, amarre de partes móviles, partes rotas o alguna otra condición que pueda afectar el funcionamiento de la herramienta eléctrica. Si se daña, asegúrese de que la herramienta eléctrica sea reparada antes de que se utilice. Muchos accidentes son ocasionados por herramientas eléctricas con mantenimiento deficiente.

•Mantenga las herramientas de corte afiladas y limpias. Las herramientas de corte correctamente mantenidas con bordes de corte afilados son menos propensas a atorarse y son más fáciles de controlar.

•Utilice la herramienta eléctrica, los accesorios y las puntas, etc. de acuerdo con estas instrucciones, tomando en cuenta las condiciones de trabajo y el trabajo a realizar. El uso de la herramienta eléctrica para operaciones diferentes a las previstas podría generar una situación peligrosa.

•Mantenga las empuñaduras y fias superficies de sujeción secas, limpias y libres de aceite y grasa. Las empuñaduras y superficies de sujeción resbalosas no permiten el manejo y control seguros de la herramienta en situaciones inesperadas.

### USO Y CUIDADO DE LAS HERRAMIENTAS CON BATERÍA

•Recargue únicamente con el cargador especificado por el fabricante. Un cargador que es adecuado para un tipo de batería puede crear un riesgo de incendio si se utiliza con otra batería.

•Utilice las herramientas eléctricas únicamente con baterías específicamente diseñadas. El uso de cualquier otra batería puede producir un riesgo de lesiones e incendio.

•Cuando la batería no esté en uso, manténgala alejada de otros objetos metálicos como sujetapapeles, monedas, llaves, clavos, tornillos u otros objetos metálicos pequeños que puedan formar una conexión de una terminal a otra. Crear un corto entre las terminales de la batería puede ocasionar quemaduras o un incendio.

•Bajo condiciones de maltrato, el líquido puede ser expulsado de la batería, evite el contacto. En caso de contacto accidental, lave con agua. Si el líquido entra en contacto con los ojos, busque además ayuda médica. El líquido expulsado de la batería puede causar irritación o quemaduras.

•No use una batería o herramienta que se haya dañado o modificado. Las baterías dañadas o modificadas pueden mostrar un comportamiento impredecible, causando incendios, explosión o riesgo de lesión.

•No exponga una batería o herramienta al fuego o a temperatura excesiva. La exposición a fuego o temperatura a más de 130° C (265° F) puede causar explosiones.

•Siga todas las instrucciones de carga y no cargue la batería o la herramienta fuera del rango de temperatura especificado en las instrucciones. La carga incorrecta o a temperaturas fuera del rango especificado puede dañar la batería y aumentar el riesgo de incendio.

### MANTENIMIENTO

•Lleve su herramienta eléctrica a servicio con un técnico calificado que use únicamente piezas de reemplazo idénticas. Esto asegurará que la seguridad de la herramienta eléctrica se mantenga.

•Nunca dé servicio a baterías dañadas. Únicamente el fabricante o proveedores de servicio autorizados deben dar servicio a las baterías.

### REGLAS ESPECÍFICAS DE SEGURIDAD PARA LLAVES Y DESTORNILLADORES DE IMPACTO

•Sostenga la herramienta eléctrica de las superficies de sujeción aisladas al llevar a cabo una operación donde el tornillo pueda hacer contacto con cableado oculto. El contacto de los tornillos con un cable que conduzca electricidad puede hacer que las partes metálicas de la herramienta se electrifiquen y podría ocasionar una descarga eléctrica al operador.

•Lleve protectores auditivos cuando use la broca de impacto. La exposición a ruido puede producir la pérdida de la audición.

•Utilice únicamente adaptadores y otros accesorios específicamente diseñados para uso con impulsores y llaves de impacto. Otros adaptadores y accesorios podrían fragmentarse o romperse y ocasionar lesiones.

•Válgase siempre de su sentido común y sea cuidadoso cuando utilice herramientas. No es posible anticipar todas las situaciones que podrían tener un desenlace peligroso. No utilice esta herramienta si no entiende estas instrucciones de uso o si considera que el trabajo a realizar supera sus capacidades, comuníquese con Milwaukee Tool o con un profesional capacitado para recibir capacitación o información adicional.

•Conserve las etiquetas y las placas nominales. Contienen información importante. Si son ilegibles o no están presentes, comuníquese con un centro de servicio MILWAUKEE para obtener un reemplazo gratuito.

•**ADVERTENCIA** Algunos polvos generados por el lijado eléctrico, aserrado, pulido, taladrado y otras actividades de construcción contienen químicos identificados como causantes de cáncer, defectos congénitos u otros daños reproductivos. Algunos ejemplos de estos químicos son:

- plomo de pintura basada en plomo
- dióxido de silicio de los ladrillos y el cemento y otros productos de albañilería y
- arsénico y cromo de madera con tratamiento químico.

Su riesgo por estas exposiciones varía, dependiendo de la frecuencia con que realice este tipo de trabajo. Para reducir su exposición a estos químicos: trabaje en un área bien ventilada y trabaje con equipo de seguridad aprobado, como mascarillas protectoras contra polvo especialmente diseñadas para filtrar partículas microscópicas.

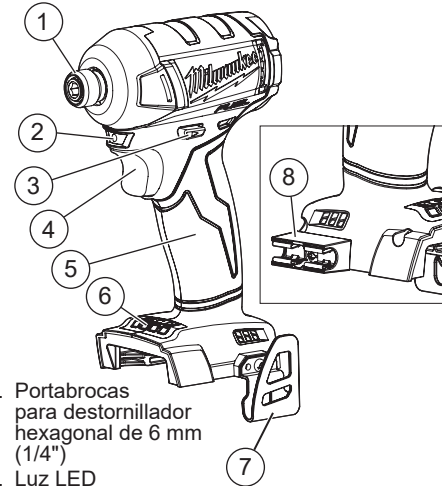
### ESPECIFICACIONES

Cat. No ..... 2760-20  
 Volts ..... 18 CD  
 Tipo de batería ..... M18™  
 Tipo de cargador ..... M18™  
 RPM ..... 0 - 3 000  
 IPM ..... 0 - 4 000  
 Temperatura ambiente recomendada para operar ..... -18°C a 50°C (0°F a 125°F)

### SIMBOLOGÍA

- Volts
- Corriente directa
- n, XXXX min<sup>-1</sup> Revoluciones por minuto sin carga (RPM)
- n XXXX min<sup>-1</sup> Impactos por minuto bajo carga (IPM)
- Leer el manual del operador
- UL Listing Mark para Canadá y Estados Unidos

### DESCRIPCION FUNCIONAL



1. Portabrocas para destornillador hexagonal de 6 mm (1/4")
2. Luz LED
3. Interruptor de control
4. Gatillo
5. Mango
6. Control de accionamiento
7. Clip para el cinturón
8. Portapuntas auxiliar

### ENSAMBLAJE

•**ADVERTENCIA** Recargue la batería sólo con el cargador especificado para ella. Para instrucciones específicas sobre cómo cargar, lea el manual del operador suministrado con su cargador y la batería.

#### Como se inserta/quita la batería en la herramienta

Para retirar la batería, presione los botones de liberación y jale de la batería para sacarla de la herramienta.

•**ADVERTENCIA** Bloquee siempre el gatillo o retire la batería cada vez que la herramienta no esté en uso.

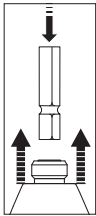
Para introducir la batería, deslicela en el cuerpo de la herramienta. Asegúrese de que quede bien firme en su posición.

•**ADVERTENCIA** Utilice únicamente adaptadores y otros accesorios específicamente diseñados para uso con impulsores y llaves de impacto. Otros adaptadores y accesorios podrían fragmentarse o romperse y ocasionar lesiones.

#### Cómo Colocar y Desmontar Accesorios

La herramienta está diseñado para utilizarse con brocas de taladro y puntas de destornillador.

1. Para instalar un accesorio, presione la base en el portabrocas del destornillador hexagonal.
2. Para quitar el accesorio, jale del aro y quite el accesorio. Suelte el aro.



### OPERACION

•**ADVERTENCIA** Para reducir el riesgo de lesiones, extraiga siempre la batería antes de acoplar o desacoplar accesorios. Utilice únicamente accesorios específicamente recomendados para esta herramienta. El uso de accesorios no recomendados podría resultar peligroso.

Con el fin de minimizar el riesgo de lesiones, siempre utilice la protección de ojos adecuada indicada para cumplir con lo dispuesto en la norma ANSI Z87.1.

#### Utilización del interruptor de control

El interruptor de control se puede colocar en tres posiciones diferentes: avance, retroceso y bajo seguro. Debido a un mecanismo de traba, el interruptor de control se puede cambiar de posición únicamente cuando el interruptor de ENCENDIDO/APAGADO no está presionado. Para poder usar el interruptor de control, siempre se debe esperar a que el motor se pare por completo.


1. Para avanzar (el giro es en el sentido de las manecillas del reloj), se presiona el interruptor de control colocado al lado derecho del taladro. Verificar la dirección del giro antes de usarlo.







- Para **retroceder** (el giro es en el sentido opuesto a las manecillas del reloj), se presiona el interruptor de control colocado al lado izquierdo del taladro. **Verificar la dirección del giro antes de usarlo.**
- Para ponerle el **seguro** al gatillo, el interruptor de control se coloca en la posición central. El gatillo no funcionará mientras el interruptor de control se encuentre bajo seguro en la posición central. Extraiga siempre la batería antes de cambiar accesorios o dar mantenimiento. Bloquee siempre el disparador o retire la batería antes de guardar la herramienta y cualquier momento la herramienta no esté en uso.

### Selección de velocidad

Espera a que la herramienta se detenga por completo antes de cambiar las velocidades. Presione el botón selector  para pasar sucesivamente de un modo a otro.

Ajuste	RPM máx.			
	1	2	3	
2760-20	900	2 100	3 000	Diseñado para introducir tornillos autorroscantes en lámina †

† La función  está diseñada para reducir el barrido y la fractura de los tornillos y el daño a la superficie de trabajo al introducir tornillos autorroscantes. Esta función está optimizada para los materiales más comunes, incluyendo tornillos autorroscantes #8 a #10 de longitudes entre 13 mm y 25 mm (1/2"-1") y lámina de calibre 20 a 28.

### Arranque, paro y control de velocidad

La herramienta puede operarse a cualquier velocidad entre 0 y plena marcha.

- Para **encender** la herramienta, agarre el mango(s) firmemente y apriete el gatillo. **NOTA:** Se enciende una luz LED cuando se oprime el gatillo y se apagará rápidamente después de liberar el gatillo.
- Para variar la velocidad de operación, simplemente aumente o disminuya la presión del gatillo. Mientras más fuerte se oprima el gatillo, mayor será la velocidad, hasta llegar al máximo establecido por el control de velocidad.
- Para **detener** la herramienta, suelte el gatillo y el freno eléctrico detendrá la herramienta instantáneamente. Asegúrese de que la herramienta se detenga por completo antes de bajarla.

### Técnicas para impactar

Mientras más tiempo se impacta a un tornillo, tuerca o birlo, más apretado quedará. Para ayudar a prevenir dañar tanto el material como los sujetadores, evite impactarlos en exceso. Sea particularmente cuidadoso cuando impacte sujetadores que sean de tamaño pequeño ya que estos requerirán menos impactos para alcanzar el torque deseado. Practique impactando con diferentes tipos de sujetadores para que observe el tiempo que se requiere impactar para alcanzar el torque deseado. Verifique el grado de apriete usando un torquímetro de mano. Si los sujetadores quedaron muy apretados, reduzca el tiempo de impacto. Si no están suficientemente apretados, aumente el tiempo de impacto. El aceite, la suciedad, el óxido u otro material en los hilos o bajo la cabeza del sujetador afecta el grado de apriete.

El torque requerido para aflojar un sujetador está, en promedio, entre el 75% y el 80% de torque que fue requerido para apretarlo, dependiendo esto de las condiciones de las superficies de contacto.

En los trabajos que lleven juntas ligeras, lleve cada sujetador hasta un torque relativamente bajo y, luego, use una llave de torque manual para el apriete final.

### Protección de temperatura

La herramienta cuenta con protecciones internas que impiden el daño durante el frío extremo y sobrecalentamiento.

- Si el desempeño es anormal a baja temperatura, oprima el gatillo sin carga durante 10 segundos para calentar la herramienta.
- En temperaturas extremadamente frías, la herramienta puede apagarse. Permita que la herramienta se caliente antes de usarla.
- Si el desempeño es anormal después de uso intenso, permita que la herramienta se enfríe durante aproximadamente 30 minutos. El desempeño normal se reanuda.

### MANTENIMIENTO

**⚠ ADVERTENCIA** Para reducir el riesgo de una lesión, desconecte siempre la herramienta antes de darle cualquier mantenimiento. Nunca desarme la herramienta ni trate de hacer modificaciones en el sistema eléctrico de la misma. Acuda siempre a un Centro de Servicio MILWAUKEE para TODAS las reparaciones.

### Mantenimiento de las herramientas

Adopte un programa regular de mantenimiento y mantenga su herramienta en buenas condiciones. Inspeccione la herramienta para problemas como ruidos indebidos, desalineadas o agarradas de partes móviles, piezas rotas o cualquier otra condición que pueda afectar el funcionamiento de la herramienta. Envíe su herramienta al Centro de Servicio MILWAUKEE para reparación. Después de 6 meses a un año, dependiendo del uso dado, envíe su herramienta al Centro de Servicio MILWAUKEE más cercano para la inspección.

Si la herramienta no arranca u opera a toda su potencia con una batería completamente cargada, limpie, con una goma o borrador, los contactos de la batería y de la herramienta. Si aun así la herramienta no trabaja correctamente, regrésela, con el cargador y la batería, a un centro de servicio MILWAUKEE.

**⚠ ADVERTENCIA** Para reducir el riesgo de lesiones, descarga eléctrica o daño a la herramienta, nunca la sumerja en líquidos ni permita que estos fluyan dentro de la misma.

### Limpieza

Limpie el polvo y suciedad de las cualquier ventilas. Mantenga los herramienta, limpios, secos y libres de aceite o grasa. Use solo jabón neutro y un trapo húmedo para limpiar, ya que algunos sustancias y solventes limpiadores son dañinos a los plásticos y partes aislantes. Algunos de estos incluyen: gasolina, turpentina, thinner, lacas, thinner para pinturas, solventes para limpieza con cloro, amoníaco y detergentes caseros que tengan amonía. Nunca use solventes inflamables o combustibles cerca de una herramienta.

### Reparaciones

Si su herramienta, batería o cargador están dañados, envíela al centro de servicio autorizado más cercano.

### ACCESORIOS

**⚠ ADVERTENCIA** Utilice sólo los accesorios específicamente recomendados. Otros accesorios puede ser peligroso.

Para una lista completa de accesorios, visite nuestro sitio en Internet: [www.milwaukeeetool.com](http://www.milwaukeeetool.com) o póngase en contacto con un distribuidor.

### SOPORTE DE SERVICIO - MEXICO

**CENTRO DE ATENCION A CLIENTES**  
Techronic Industries Mexico, S.A. de C.V.  
Av. Presidente Masarik 29 Piso 7  
11560 Polanco V Seccion  
Miguel Hidalgo, Distrito Federal, México  
01 (800) 030-7777 o (55) 4160-3540  
Lunes a Viernes (9am a 6pm)

O contáctanos en [www.milwaukeeetool.com.mx](http://www.milwaukeeetool.com.mx)

### GARANTÍA LIMITADA - E.U.A. Y CANADÁ

Cada herramienta eléctrica\* de MILWAUKEE (ver excepciones a continuación) está garantizada para el comprador original únicamente de que no tenga material y mano de obra defectuosos. Sujeto a ciertas excepciones, MILWAUKEE reparará o reemplazará cualquier parte en una herramienta eléctrica que tenga defectos de material o mano de obra según lo determine MILWAUKEE mediante una revisión, por un periodo de cinco (5) años\*\* después de la fecha de compra a menos que se indique lo contrario. Al devolver la herramienta eléctrica a un Centro de Servicio de la fábrica de MILWAUKEE o a una Estación de Servicio Autorizada de MILWAUKEE, se requiere que el flete esté pagado por adelantado y asegurado. Se debe incluir una copia del comprobante de compra con el producto devuelto. Esta garantía no aplica a daños que MILWAUKEE determine que son ocasionados por reparaciones o intentos de reparaciones realizados por una persona que no sea personal autorizado de MILWAUKEE, uso indebido, alteraciones, maltrato, desgaste normal, falta de mantenimiento o accidentes.

Desgaste normal: Muchas herramientas eléctricas necesitan un reemplazo periódico de partes y servicio para lograr el mejor desempeño. Esta garantía no cubre la reparación cuando el uso normal ha agotado la vida de una parte, incluyendo sin limitar a mandriles, cepillos, cables, zapatas de la sierra, abrazaderas de la hoja, anillos en O, sellos, protectores, hojas de desatornilladores, pistones, herrajes, levantes y arandelas de cubierta de los protectores.

\*Esta garantía no cubre clavadoras y grapadoras neumáticas, pistola de pintura a presión, baterías inalámbricas, generadores de energía portátil de gasolina, herramientas de mano, palanca y cadena de mano de polipasto - eléctricas, instrumentaria calefactada M12™, producto reacondicionado y productos de prueba y medición. Existen garantías por separado y distintas disponibles para estos productos.

\*\*El periodo de garantía para los radios para obra, puerto de energía M12™, fuente de poder M18™, ventiladores para obra y carretillas de trabajo industrial Trade Titan™ es de un (1) año a partir de la fecha de compra. El periodo de garantía para los M18 FUEL™ 1" llaves de impacto de alto torque con d en empuñadura, cables de limpieza de drenaje y AIRSNAKE™ los accesorios de pistola de aire de limpieza de drenaje, y los niveles láser mediante USB REDLITHIUM® es de dos (2) años a partir de la fecha de compra. El periodo de garantía de la pistola de calor compacta M18™, extractor de polvo de 8 galones, M18™ enmarcar clavadoras, M18 FUEL™ 1/2" yunque prolongado torque controlado llave de impacto con ONE-KEY™, M18 FUEL™ 1" llave de impacto de alto esfuerzo de torsión con ONE-KEY™, M18 FUEL™ de 7,6 L compacto compresor silencioso, los niveles láser M12™, detector láser de 19,8 m, clavadora M12™ 23GA, M18 FUEL™ 6,4 mm ribeteadora ciega con ONE-KEY™, y raspador de neumáticos de baja velocidad M12 FUEL™ es de tres (3) años a partir de la fecha de compra. El periodo de garantía de las lámparas de LED en la Lámpara de trabajo LED y el Bulbo mejorado de LED para la Luz de trabajo es por la vida del producto sujeto a las limitaciones anteriores. Si durante el uso normal el LED o Bulbo de LED falla, la parte será reemplazada sin cargo.

No se requiere el registro de la garantía para obtener la garantía correspondiente a un producto de herramienta eléctrica de MILWAUKEE. La fecha de manufactura del producto se utilizará para determinar el periodo de garantía si no se proporciona comprobante de compra al solicitar el servicio en garantía.

LA ACEPTACIÓN DE LOS REMEDIOS EXCLUSIVOS DE REPARACIÓN Y REEMPLAZO AQUÍ DESCRITOS ES UNA CONDICIÓN DEL CONTRATO PARA LA COMPRA DE TODO PRODUCTO DE MILWAUKEE. SI USTED NO ACEPTA ESTA CONDICIÓN, NO DEBE COMPRAR EL PRODUCTO. MILWAUKEE NO SERÁ RESPONSABLE EN NINGUN CASO DE DAÑOS INCIDENTALES, ESPECIALES, EMERGENTES O PUNITIVOS NI DE NINGUN COSTO, HONORARIOS LEGALES, GASTOS, PÉRDIDAS O DEMORAS ALEJADAS COMO CONSECUENCIA DE ALGUN DAÑO, FALLA O DEFECTO EN NINGUN PRODUCTO, INCLUYENDO, ENTRE OTROS, RECLAMACIONES POR PÉRDIDA DE UTILIDADES. ALGUNOS ESTADOS NO PERMITEN LA EXCLUSIÓN O LIMITACIÓN DE RESPONSABILIDAD POR DAÑOS INCIDENTALES O EMERGENTES, POR LO QUE LA ANTERIOR LIMITACIÓN O EXCLUSIÓN PODRÍA NO APLICARSE EN SU CASO. ESTA GARANTÍA ES EXCLUSIVA Y REEMPLAZA TODAS LAS DEMÁS GARANTÍAS EXPRESAS, ESCRITAS U ORALES. EN LA MEDIDA EN QUE LO PERMITA LA LEY, MILWAUKEE DESCONOCE CUALQUIER GARANTÍA IMPLÍCITA, INCLUYENDO SIN LIMITACIÓN CUALQUIER GARANTÍA IMPLÍCITA DE COMERCIABILIDAD O IDONEIDAD PARA UN FIN O USO ESPECÍFICO; EN LA MEDIDA EN QUE DICHO DESCONOCIMIENTO NO SEA PERMITIDO POR LA LEY, DICHAS GARANTÍAS IMPLÍCITAS SE LIMITAN A LA DURACIÓN DE LA GARANTÍA EXPRESA CORRESPONDIENTE SEGÚN SE DESCRIBIÓ ANTERIORMENTE. ALGUNOS ESTADOS NO PERMITEN LIMITACIONES SOBRE LA DURACIÓN DE UNA GARANTÍA IMPLÍCITA, POR LO QUE LA ANTERIOR LIMITACIÓN PUDIERA NO APLICARSE A USTED. ESTA GARANTÍA LE DA DERECHOS LEGALES ESPECÍFICOS Y USTED PODRÍA ADEMÁS TENER OTROS DERECHOS QUE VARIAN DE UN ESTADO A OTRO.

Esta garantía aplica al producto vendido en los Estados Unidos y Canadá únicamente.

Consulte la "Búsqueda de centro de servicio" en la sección de Partes y servicio del sitio web de MILWAUKEE en [www.milwaukeeetool.com](http://www.milwaukeeetool.com) o llame al 1.800.SAWDUST (1.800.729.3878) para localizar su centro de servicio más cercano para darle servicio con y sin garantía a una herramienta eléctrica de Milwaukee.

### PÓLIZA DE GARANTÍA - VALIDA SOLO PARA MEXICO, AMÉRICA CENTRAL Y EL CARIBE

La garantía de TECHTRONIC INDUSTRIES es por 5 años a partir de la fecha original de compra.

Esta tarjeta de garantía cubre cualquier defecto de material y mano de obra en ese Producto.

Para hacer válida esta garantía, presente esta tarjeta de garantía, cerrada/sellada por el distribuidor o la tienda donde compró el producto, al Centro de Servicio Autorizado (ASC). O, si esta tarjeta no se ha cerrado/sellado, presente la prueba original de compra a ASC. Llame 55 4160-3547 para encontrar el ASC más cercano, para servicio, partes, accesorios o componentes.

### Procedimiento para hacer válida esta garantía

Lleve el producto a ASC, junto con la tarjeta de garantía cerrada/sellada por el distribuidor o la tienda donde compró el producto, y cualquier pieza o componente defectuoso se reemplazará sin costo para usted. Cubriremos todos los costos de flete con relación a este proceso de garantía

### Excepciones

Esta garantía no tendrá validez en las siguientes situaciones:

- Cuando el producto se use de manera distinta a la que indica el manual del usuario final o de instrucciones.
- Cuando las condiciones de uso no sean normales.
- Cuando otras personas no autorizadas por TECHTRONIC INDUSTRIES modifiquen o reparen el producto.

**Nota:** si el juego de cables está dañado, tiene que reemplazarse en un Centro de Servicio Autorizado para evitar riesgos eléctricos.

### CENTRO DE SERVICIO Y ATENCIÓN

Llame al 55 4160-3547

IMPORTADO Y COMERCIALIZADO POR  
TECHTRONIC INDUSTRIES, MEXICO, S.A. DE C.V.  
Miguel de Cervantes Saavedra No.301 Piso 5, Torre Norte  
11520 Colonia Ampliación Granada  
Miguel Hidalgo, Ciudad de Mexico, Mexico

Modelo: \_\_\_\_\_

Fecha de Compra: \_\_\_\_\_

Sello del Distribuidor: \_\_\_\_\_

**MILWAUKEE TOOL**  
13135 West Lisbon Road  
Brookfield, WI 53005 USA

58140058d3  
02/21

961011816-03(A)  
Printed in Vietnam