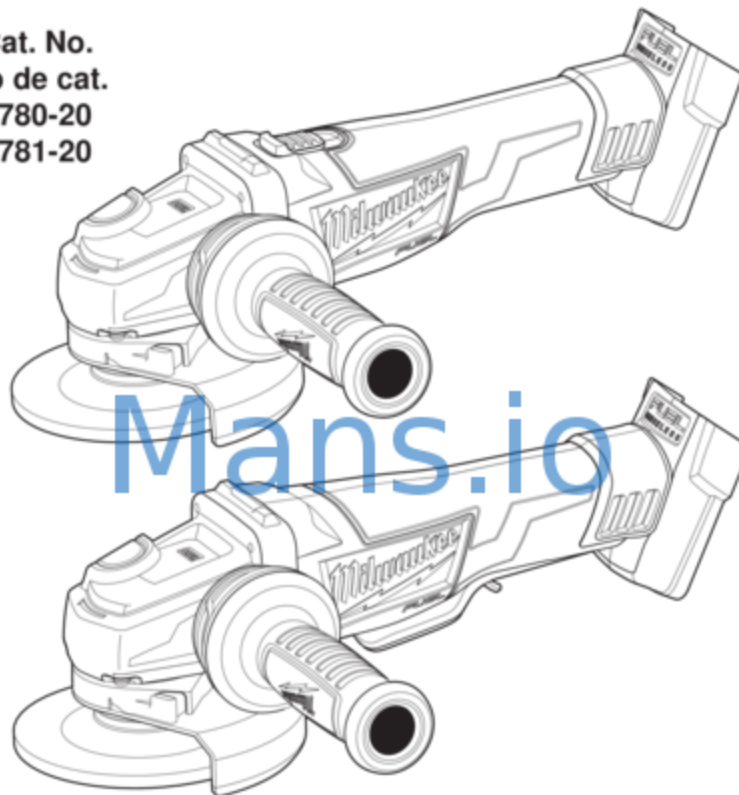




OPERATOR'S MANUAL  
MANUEL de L'UTILISATEUR  
MANUAL del OPERADOR

Cat. No.  
No de cat.  
2780-20  
2781-20



**M18™ FUEL™ 4½" / 5" GRINDER**  
**MEULE À TRONÇONNER DE 115/127 mm (4½" / 5") M18™**  
**AMOLADORA PARA TROCEAR 115/127 mm (4½" / 5") DE M18™**

*TO REDUCE THE RISK OF INJURY, USER MUST READ AND UNDERSTAND OPERATOR'S MANUAL.*

*AFIN DE RÉDUIRE LE RISQUE DE BLESSURES, L'UTILISATEUR DOIT LIRE ET BIEN COMPRENDRE LE MANUEL DE L'UTILISATEUR.*

*PARA REDUCIR EL RIESGO DE LESIONES, EL USUARIO DEBE LEER Y ENTENDER EL MANUAL DEL OPERADOR.*

## GENERAL POWER TOOL SAFETY WARNINGS

**WARNING** READ ALL SAFETY WARNINGS AND ALL INSTRUCTIONS. Failure to follow the warnings and instructions may result in electric shock, fire and/or serious injury. **Save all warnings and instructions for future reference.** The term "power tool" in the warnings refers to your mains-operated (corded) power tool or battery-operated (cordless) power tool.

### WORK AREA SAFETY

- Keep work area clean and well lit. Cluttered or dark areas invite accidents.
- Do not operate power tools in explosive atmospheres, such as in the presence of flammable liquids, gases or dust. Power tools create sparks which may ignite the dust or fumes.
- Keep children and bystanders away while operating a power tool. Distractions can cause you to lose control.

### ELECTRICAL SAFETY

- Power tool plugs must match the outlet. Never modify the plug in any way. Do not use any adapter plugs with earthed (grounded) power tools. Unmodified plugs and matching outlets will reduce risk of electric shock.
- Avoid body contact with earthed or grounded surfaces such as pipes, radiators, ranges and refrigerators. There is an increased risk of electric shock if your body is earthed or grounded.
- Do not expose power tools to rain or wet conditions. Water entering a power tool will increase the risk of electric shock.
- Do not abuse the cord. Never use the cord for carrying, pulling or unplugging the power tool. Keep cord away from heat, oil, sharp edges or moving parts. Damaged or entangled cords increase the risk of electric shock.
- When operating a power tool outdoors, use an extension cord suitable for outdoor use. Use of a cord suitable for outdoor use reduces the risk of electric shock.
- If operating a power tool in a damp location is unavoidable, use a residual current device (RCD) protected supply. Use of an RCD reduces the risk of electric shock.

### PERSONAL SAFETY

- Stay alert, watch what you are doing and use common sense when operating a power tool. Do not use a power tool while you are tired or under the influence of drugs, alcohol or medication. A moment of inattention while operating power tools may result in serious personal injury.
- Use personal protective equipment. Always wear eye protection. Protective equipment such as dust mask, non-skid safety shoes, hard hat, or hearing protection used for appropriate conditions will reduce personal injuries.
- Prevent unintentional starting. Ensure the switch is in the off-position before connecting to power source and/or battery pack, picking up or carrying the tool. Carrying power tools with your finger on the switch or energising power tools that have the switch on invites accidents.
- Remove any adjusting key or wrench before turning the power tool on. A wrench or a key left attached to a rotating part of the power tool may

result in personal injury.

- Do not overreach. Keep proper footing and balance at all times. This enables better control of the power tool in unexpected situations.
- Dress properly. Do not wear loose clothing or jewellery. Keep your hair, clothing and gloves away from moving parts. Loose clothes, jewellery or long hair can be caught in moving parts.
- If devices are provided for the connection of dust extraction and collection facilities, ensure these are connected and properly used. Use of dust collection can reduce dust-related hazards.

### POWER TOOL USE AND CARE

- Do not force the power tool. Use the correct power tool for your application. The correct power tool will do the job better and safer at the rate for which it was designed.
- Do not use the power tool if the switch does not turn it on and off. Any power tool that cannot be controlled with the switch is dangerous and must be repaired.
- Disconnect the plug from the power source and/or the battery pack from the power tool before making any adjustments, changing accessories, or storing power tools. Such preventive safety measures reduce the risk of starting the power tool accidentally.
- Store idle power tools out of the reach of children and do not allow persons unfamiliar with the power tool or these instructions to operate the power tool. Power tools are dangerous in the hands of untrained users.
- Maintain power tools. Check for misalignment or binding of moving parts, breakage of parts and any other condition that may affect the power tool's operation. If damaged, have the power tool repaired before use. Many accidents are caused by poorly maintained power tools.
- Keep cutting tools sharp and clean. Properly maintained cutting tools with sharp cutting edges are less likely to bind and are easier to control.
- Use the power tool, accessories and tool bits etc., in accordance with these instructions, taking into account the working conditions and the work to be performed. Use of the power tool for operations different from those intended could result in a hazardous situation.

### BATTERY TOOL USE AND CARE

- Recharge only with the charger specified by the manufacturer. A charger that is suitable for one type of battery pack may create a risk of fire when used with another battery pack.
- Use power tools only with specifically designated battery packs. Use of any other battery packs may create a risk of injury and fire.
- When battery pack is not in use, keep it away from other metal objects like paper clips,

coins, keys, nails, screws, or other small metal objects that can make a connection from one terminal to another. Shorting the battery terminals together may cause burns or a fire.

- Under abusive conditions, liquid may be ejected from the battery; avoid contact. If contact accidentally occurs, flush with water. If liquid contacts eyes, additionally seek medical help. Liquid ejected from the battery may cause irritation or burns.

### SERVICE

- Have your power tool serviced by a qualified repair person using only identical replacement parts. This will ensure that the safety of the power tool is maintained.

### SPECIFIC SAFETY RULES

- This power tool is intended to function as a grinder, sander, wire brushing or cut-off tool. Read all safety warnings, instructions, illustrations and specifications provided with this power tool. Failure to follow all instructions listed below may result in electric shock, fire and/or serious injury.
- Operations such as polishing are not recommended to be performed with this power tool. Operations for which the power tool was not designed may create a hazard and cause personal injury.
- Do not use accessories which are not specifically designed and recommended by the tool manufacturer. Just because the accessory can be attached to your power tool, it does not assure safe operation.
- The rated speed of the accessory must be at least equal to the maximum speed marked on the power tool. Accessories running faster than their RATED SPEED can break and fly apart.
- The outside diameter and the thickness of your accessory must be within the capacity rating of your power tool. Incorrectly sized accessories cannot be adequately guarded or controlled.
- The arbour size of wheels, flanges, backing pads or any other accessory must properly fit the spindle of the power tool. Accessories with arbour holes that do not match the mounting hardware of the power tool will run out of balance, vibrate excessively and may cause loss of control.
- Do not use a damaged accessory. Before each use inspect the accessory such as abrasive wheels for chips and cracks, backing pad for cracks, tear or excess wear, wire brush for loose or cracked wires. If power tool or accessory is dropped, inspect for damage or install an undamaged accessory. After inspecting and installing an accessory, position yourself and bystanders away from the plane of the rotating accessory and run the power tool at maximum no-load speed for one minute. Damaged accessories will normally break apart during this test time.
- Wear personal protective equipment. Depending on application, use face shield, safety goggles or safety glasses. As appropriate, wear dust mask, hearing protectors, gloves and workshop apron capable of stopping small abrasive or workpiece fragments. The eye pro-

tection must be capable of stopping flying debris generated by various operations. The dust mask or respirator must be capable of filtering particles generated by your operation. Prolonged exposure to high intensity noise may cause hearing loss.

- Keep bystanders a safe distance away from work area. Anyone entering the work area must wear personal protective equipment. Fragments of workpiece or of a broken accessory may fly away and cause injury beyond immediate area of operation.
- Hold the power tool by insulated gripping surfaces only, when performing an operation where the cutting accessory may contact hidden wiring. Contact with a "live" wire will also make exposed metal parts of the power tool "live" and could give the operator an electric shock.
- Never lay the power tool down until the accessory has come to a complete stop. The spinning accessory may grab the surface and pull the power tool out of your control.
- Do not run the power tool while carrying it at your side. Accidental contact with the spinning accessory could snag your clothing, pulling the accessory into your body.
- Regularly clean the power tool's air vents. The motor's fan will draw the dust inside the housing and excessive accumulation of powdered metal may cause electrical hazards.
- Do not operate the power tool near flammable materials. Sparks could ignite these materials.
- Do not use accessories that require liquid coolants. Using water or other liquid coolants may result in electrocution or shock.

### Kickback and Related Warnings

Kickback is a sudden reaction to a pinched or snagged rotating wheel, backing pad, brush or any other accessory. Pinching or snagging causes rapid stalling of the rotating accessory which in turn causes the uncontrolled power tool to be forced in the direction opposite of the accessory's rotation at the point of the binding. For example, if an abrasive wheel is snagged or pinched by the workpiece, the edge of the wheel that is entering into the pinch point can dig into the surface of the material causing the wheel to climb out or kick out. The wheel may either jump toward or away from the operator, depending on direction of the wheel's movement at the point of pinching. Abrasive wheels may also break under these conditions.

Kickback is the result of power tool misuse and/or incorrect operating procedures or conditions and can be avoided by taking proper precautions as given below.

- Maintain a firm grip on the power tool and position your body and arm to allow you to resist kickback forces. Always use auxiliary handle, if provided, for maximum control over kickback or torque reaction during start-up. The operator can control torque reactions or kickback forces, if proper precautions are taken.
- Never place your hand near the rotating accessory. Accessory may kickback over your hand.
- Do not position your body in the area where power tool will move if kickback occurs. Kick-

back will propel the tool in direction opposite to the wheel's movement at the point of snagging.

- **Use special care when working corners, sharp edges etc. Avoid bouncing and snagging the accessory.** Corners, sharp edges or bouncing have a tendency to snag the rotating accessory and cause loss of control or kickback.
- **Do not attach a saw chain woodcarving blade or toothed saw blade.** Such blades create frequent kickback and loss of control.

#### Safety Warnings Specific for Grinding and Abrasive Cutting-Off Operations:

- **Use only wheel types that are recommended for your power tool and the specific guard designed for the selected wheel.** Wheels for which the power tool was not designed cannot be adequately guarded and are unsafe.
- **The guard must be securely attached to the power tool and positioned for maximum safety, so the least amount of wheel is exposed towards the operator.** The guard helps to protect operator from broken wheel fragments and accidental contact with wheel.
- **Wheels must be used only for recommended applications.** For example: do not grind with the side of cut-off wheel. Abrasive cut-off wheels are intended for peripheral grinding, side forces applied to these wheels may cause them to shatter.
- **Always use undamaged wheel flanges that are of correct size and shape for your selected wheel.** Proper wheel flanges support the wheel thus reducing the possibility of wheel breakage. Flanges for cut-off wheels may be different from grinding wheel flanges.
- **Do not use worn down wheels from larger power tools.** Wheel intended for larger power tool is not suitable for the higher speed of a smaller tool and may burst.

#### Additional Safety Warnings Specific for Abrasive Cutting-Off Operations:

- **Do not "jam" the cut-off wheel or apply excessive pressure. Do not attempt to make an excessive depth of cut.** Overstressing the wheel increases the loading and susceptibility to twisting or binding of the wheel in the cut and the possibility of kickback or wheel breakage.
- **Do not position your body in line with and behind the rotating wheel.** When the wheel, at the point of operation, is moving away from your body, the possible kickback may propel the spinning wheel and the power tool directly at you.
- **When wheel is binding or when interrupting a cut for any reason, switch off the power tool and hold the power tool motionless until the wheel comes to a complete stop. Never attempt to remove the cut-off wheel from the cut while the wheel is in motion otherwise kickback may occur.** Investigate and take corrective action to eliminate the cause of wheel binding.
- **Do not restart the cutting operation in the workpiece. Let the wheel reach full speed and carefully reenter the cut.** The wheel may bind, walk up or kickback if the power tool is restarted in the workpiece.

• **Support panels or any oversized workpiece to minimize the risk of wheel pinching and kickback.** Large workpieces tend to sag under their own weight. Supports must be placed under the workpiece near the line of cut and near the edge of the workpiece on both sides of the wheel.

• **Use extra caution when making a "pocket cut" into existing walls or other blind areas.** The protruding wheel may cut gas or water pipes, electrical wiring or objects that can cause kickback.

#### Safety Warnings Specific for Sanding Operations:

• **Do not use excessively oversized sanding disc paper. Follow manufacturers recommendations, when selecting sanding paper.** Larger sanding paper extending beyond the sanding pad presents a laceration hazard and may cause snagging, tearing of the disc or kickback.

#### Safety Warnings Specific for Wire Brushing Operations:

- **Be aware that wire bristles are thrown by the brush even during ordinary operation. Do not overstress the wires by applying excessive load to the brush.** The wire bristles can easily penetrate light clothing and/or skin.
- **If the use of a guard is recommended for wire brushing, do not allow any interference of the wire wheel or brush with the guard.** Wire wheel or brush may expand in diameter due to work load and centrifugal forces.

#### Additional Safety Warnings:

- **Maintain labels and nameplates.** These carry important information. If unreadable or missing, contact a MILWAUKEE service facility for a free replacement.
- **WARNING:** Some dust created by power sanding, sawing, grinding, drilling, and other construction activities contains chemicals known to cause cancer, birth defects or other reproductive harm. Some examples of these chemicals are:
  - lead from lead-based paint
  - crystalline silica from bricks and cement and other masonry products, and
  - arsenic and chromium from chemically-treated lumber.

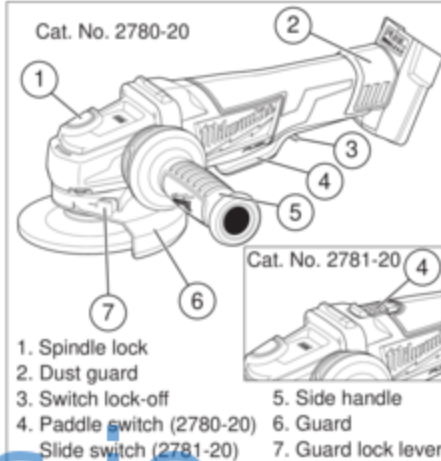
Your risk from these exposures varies, depending on how often you do this type of work. To reduce your exposure to these chemicals: work in a well ventilated area, and work with approved safety equipment, such as those dust masks that are specially designed to filter out microscopic particles.

SYMBOLOLOGY	
V	Volts
---	Direct Current
n XXXXmin. <sup>-1</sup>	Rated Revolutions per Minute (RPM)
UL US	Underwriters Laboratories, Inc. United States and Canada

### SPECIFICATIONS

Cat. No.	Volts DC	Rated RPM	Spindle Thread Size	Max Wheel Size	Switch Type
2780-20	18	8 500	5/8"-11	5"	Paddle
2781-20	18	8 500	5/8"-11	5"	Slide

### FUNCTIONAL DESCRIPTION



### ASSEMBLY

**WARNING** Recharge only with the charger specified for the battery. For specific charging instructions, read the operator's manual supplied with your charger and battery.

#### Inserting/Removing the Battery

To **remove** the battery, push in the release buttons and pull the battery pack away from the tool. To **insert** the battery, slide the pack into the body of the tool. Make sure it latches securely into place.

**WARNING** Always remove battery pack before changing or removing accessories. Only use accessories specifically recommended for this tool. Others may be hazardous.

**WARNING** To reduce the risk of injury, wear safety goggles or glasses with side shields.

**Installing/Removing/Cleaning the Dust Screen** Using the dust screen will increase the performance and extend the life of the tool.

1. To **attach** the dust screen, snap the screen over the tool's handle.
2. To **remove** the dust screen, insert a flat screwdriver into the notch at the top of the dust screen and pry away from the tool.
3. To **clean** the dust screen, tap against a hard surface, or blow clean with compressed air.

#### Installing Side Handle

The side handle may be installed on either side of the gear case. Position the side handle in the location which offers best control and guard protection. To install, thread side handle into side handle socket and tighten securely.

**WARNING** To reduce the risk of injury when grinding:

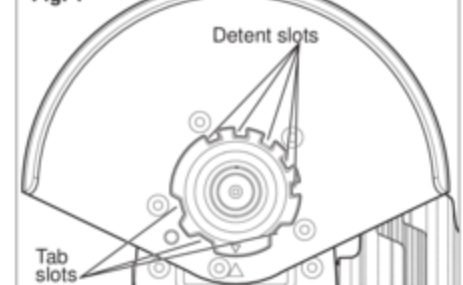
- **ALWAYS** use the proper guard.
- **ALWAYS** properly install the guard.
- **ALWAYS** hold the tool firmly with both hands using the handles provided before and during grinding.
- **NEVER** use a wheel that has been dropped.
- **NEVER** bang grinding disc onto work.
- **NEVER** grind without proper safety equipment.

#### Installing, Removing and Adjusting the Guard

This tool is shipped with a guard. The guard must be used when using the tool as a grinder. The guard may be removed when using tool as a sander.

1. To **remove** the guard, remove the battery pack and remove any accessories from spindle.
2. Press in the lock lever and rotate the guard to line up the tabs on the grinder with the slots in the guard.
3. Press in the lock lever and lift the guard straight up and away from the tool.

Fig. 1



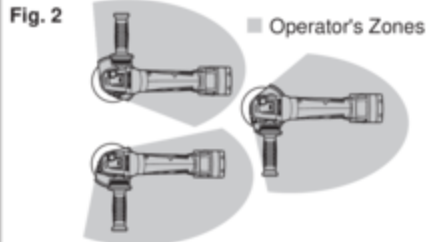
4. To **install** the guard, remove the battery pack and remove any accessories from the spindle. **NOTE:** Use only 4-1/2" grinding wheels with 4-1/2" guards (available as an accessory). Use only 5" grinding wheels with 5" guards.
5. Line up the tabs on the grinder with the slots in the guard.
6. Press in the lock lever and press the guard onto the tool.
7. To **adjust** the guard, press in the lock lever and rotate the guard to one of five detent slots.

**WARNING** Only use accessories with Maximum Safe Operating Speed rated at least equal to the maximum speed marked on the power tool. This speed is based on the strength of the wheel, allowing for a reasonable measure of safety. It is not meant to imply a best or most efficient operating speed. Do not exceed the Maximum Safe Operating Speed.

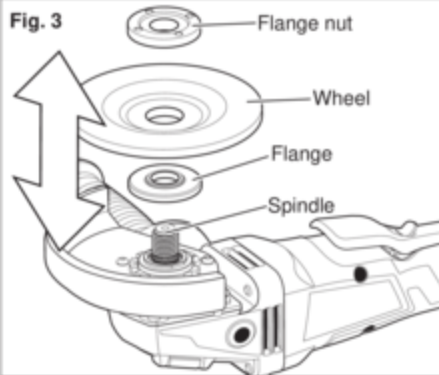
#### Installing/Removing Accessories

Make sure the wheel does not extend beyond the bottom of the guard. Threaded hub grinding wheels may require a deeper guard (see "Accessories").

1. Remove the battery pack.
2. Properly position the guard (Fig. 2).



3. Wipe the flange, flange nut and spindle to remove dust and debris. Inspect the parts for damage. Replace if needed.
4. Place the flange on spindle, as shown.



5. Place the selected wheel on the spindle and align it with the flange.
6. Position the flange nut over the spindle according to wheel thickness (Fig. 4).



7. Press in the spindle lock button while turning the flange nut clockwise. Tighten securely using a spanner wrench.
8. To remove wheel, remove the battery pack and reverse the procedure.

### OPERATION

**WARNING** Always remove battery pack before changing or removing accessories. Only use accessories specifically recommended for this tool. Others may be hazardous.

**WARNING** To reduce the risk of injury, wear safety goggles or glasses with side shields.

#### Controlled Start

The controlled start feature reduces the torque reaction "jerk" when its trigger is pulled.

#### Paddle Switch Operation (2780-20)

To start the tool, grasp the handle and side handle firmly. Push the lock-off button forward and squeeze the paddle switch.

To stop the tool, release the paddle switch. Make sure the tool comes to a complete stop before laying the tool down.

#### Slide Switch Operation (2781-20)

To start the tool, grasp the handle and side handle firmly and slide the switch to ON. To stop the tool, release the switch. Make sure the tool comes to a complete stop before laying the tool down.

To lock-on the switch, slide the switch to ON and press down on the front of the switch. To stop the tool, press and release the switch. Make sure the tool comes to a complete stop before laying it down.

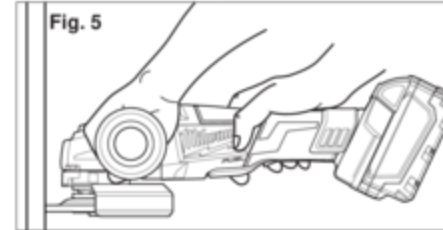
#### General Operation

1. If you have just installed an accessory or are beginning a period of work, test it by letting it spin for one minute before applying it to the workpiece. Out-of-balance or damaged accessories can mar workpiece, damage the tool, and cause stress that may cause accessory failure.
2. Use a clamp, vise or other practical means to hold your work, freeing both hands to control the tool.
3. Hold tool securely with both hands.
4. Start the tool.  
Note: If the battery is inserted when the tool switch is in the "ON" position, the tool will not run. Turn the tool off, then back on to begin work.
5. Allow accessory to come to full speed before beginning work.
6. Control pressure and surface contact between accessory and workpiece. Too much pressure slows speed.
7. When finished, turn off the tool and make sure it comes to a complete stop before laying it down.

### USING CUT-OFF WHEELS

**WARNING** A Type "1" guard must be installed when using a cut-off wheel to provide maximum protection for the operator if the wheel should break.

Type "1" Cut-Off Wheels are suited for small cut-off and shallow notching operations only. When using a cut-off wheel, hold the tool as shown, using only the edge of the wheel.



**WARNING** Using the face of a Cut-Off Wheel (as in grinding) will cause the Wheel to crack and break, resulting in serious personal injury.

### USING GRINDING WHEELS

**WARNING** To reduce the risk of injury, the operator should be instructed in the use, care and protection of grinding wheels.

#### Grinding Wheel Selection

- Use grinding wheels, and accessories that are:
- correct size as written on tool's nameplate.
  - rated at or above the RPM listed on the tool's nameplate.
  - correct accessory, wheel type and grit for the job.
- Grinding is the cutting action of thousands of abrasive grains on the face of a grinding wheel. When grinding metals such as steel and iron, choose an aluminum oxide grinding wheel. Select a silicon carbide grinding wheel for stone and concrete. Use cotton reinforced wheels for non-ferrous metals. Type 27 Reinforced 1/8" thick or less Cut-Off Wheels are suited for small cut-off and shallow notching operations only. Always handle wheels carefully to avoid damage. Before installing any wheel, always inspect it for cracks. If wheel is cracked, discard it to prevent others from using it.

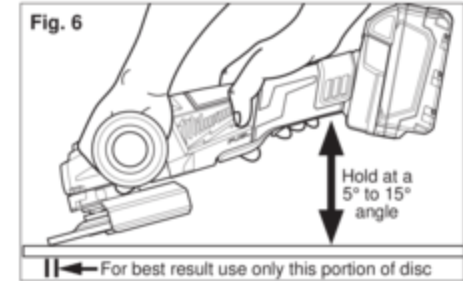
#### Care of Grinding & Cut-Off Wheels

- Grinding/cut-off wheels should be protected from:
- wetness and extreme humidity
  - any type of solvent
  - extreme changes in temperature
  - dropping and bumping
- Grinding and cut-off wheels should be stored:
- in an organized way so wheels can be removed without disturbing or damaging other wheels
  - with their safety information

Grinding and cut-off wheels should NOT be dropped, rolled or bumped. Discard wheels that have been dropped, rolled, bumped, subjected to extreme changes in temperature, or come into contact with solvents or wetness.

#### Grinding

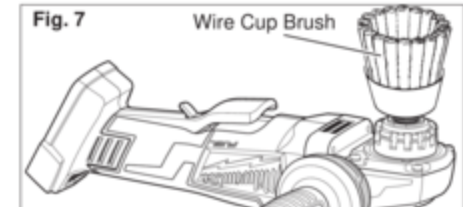
When grinding, hold tool at a 5° to 15° angle, using constant pressure for a uniform finish. Too great an angle causes concentrated pressure on small areas which may gouge or burn work surface.



### USING WIRE BRUSHES

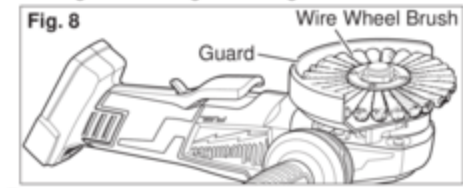
**WARNING** Everyone in the area must wear protective clothing and safety goggles or face shields. Fatigued wires and residue will fly off the brush with considerable force, causing potential for serious injury.

Wire brushes are useful for removing rust, scale, burrs, weld slag, etc. Always install wire cup brushes according to the accessory manufacturer's instructions.



**WARNING** Because the wires on wire wheel brushes are directed towards the operator, a guard must be used to protect the operator when fatigued wires break.

When using a wire wheel brush, install guard according to "Installing/Removing Accessories".



Test wheel for balance and loose or damaged wires by letting it spin for one minute before applying it to the workpiece. During this time, no one should stand in front of or in line with it. Control pressure and surface contact between wheel and workpiece. Too much pressure causes over-bending of wires and heat build-up causing premature wire breaking, rapid dulling and reduced brush life. Instead of more pressure, try a wire wheel with more aggressive cutting action (increased wire size, decreased wire length or different brush type (knot type vs. crimped wire type)).

**WARNING** Never exceed Maximum Safe Operating Speed of brush. Do not use a damaged brush or one that is functioning improperly (throwing wires, out-of-balance, etc.). These conditions increase the possibility of further brush failure and possible injury. Discard and replace damaged brushes immediately.

### USING SANDING DISCS

#### Sanding Disc Selection

Use sanding discs and accessories that are:

- correct size as written on tool's nameplate.
- rated at or above the RPM listed on the tool's nameplate.
- correct accessory, wheel type and grit for the job. Refer to the table below to select the correct type of sanding disc for your job. Generally, use 24 or 36 grit for heavy stock removal; 50, 60, or 80 grit for medium stock removal and 120 grit for finishing. Always begin with a coarse grit, using successively finer grits to obtain the desired finish. See your MILWAUKEE Electric Tool Catalog for a complete list of sanding discs.

#### Aluminum Oxide

For fast cutting, general purpose discs for most metal jobs. Best for cold-rolled steel, stainless steel or metals requiring tough, fast cutting, long lasting abrasives.

#### Aluminum Zirconia Bi-Cut

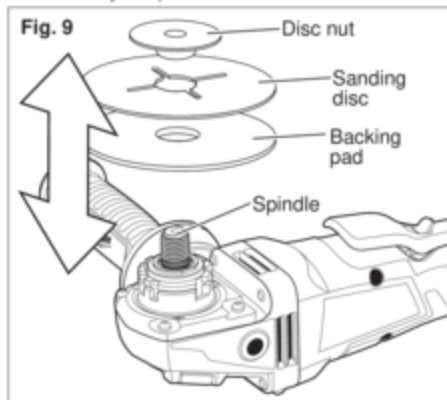
Unique grit pattern is arranged in clusters for faster stock removal and cleaning. Ideal for removing paint from cars, boats, etc. without clogging.

#### Ceramic

Lasts up to 3 times longer than Aluminum Oxide Discs. For general metal working. Ideal for tough jobs.

#### Installing Backing Pad and Sanding Discs

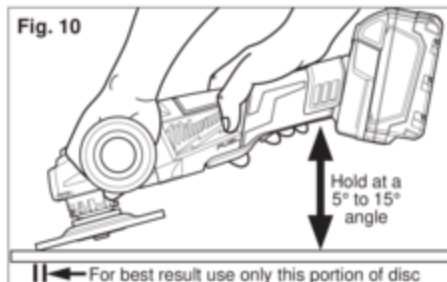
1. Remove the battery pack.
2. Wipe the accessories, disc nut and spindle to remove dust and debris. Inspect the parts for damage. Replace if needed.
3. Slip backing pad onto spindle with flat side away from gear case.
4. Place sanding disc on backing pad and secure assembly to spindle with disc nut.



5. To tighten, press the spindle lock button while turning disc nut clockwise with the spanner wrench provided.
6. To remove backing pad and sanding disc, remove the battery pack and reverse the procedure.

#### Sanding

Hold tool at 5° to 15° angle to ensure proper sanding pressure and control. Too great an angle will result in too much pressure and could cause excessive wear to the disc and workpiece. Too small an angle will reduce control. Use long, sweeping, side to side strokes, advancing forward to produce the desired finish.



#### Cross Sanding

When finishing a surface that has been prepared by a coarse disc or wheel, sand at right angles to the strokes made by the coarser disc. Finishing marks left from previous sanding are easily seen and removed for a uniform finish. Failure to cross sand when changing from a coarse disc to a finishing disc may result in deep scratches and circular marks.

#### Removing Welds or Hammer Marks

When removing welds or hammer marks, limit coarse sanding to the immediate area. Use successively finer grits to smooth surface.

#### Finishing Metal

Constantly move across the surface. Work faster on curved surfaces where contact areas are smaller and pressure is greater. Flat areas may appear at the end of the stroke when pressure is too heavy. Ease up on pressure at end of each stroke and when reversing strokes.

#### Troubleshooting

- Deep scratches and circular marks can result from:
- Using too coarse a grit
  - Using a partially glazed disc
  - Dirt or loose metal on the workpiece
  - Failure to sand across the grain when changing from coarse to finishing discs
  - Failure to use closed coated discs to reduce the problem of grains working loose and scratching the workpiece
- Bluish discoloration of metal surface indicates:
- Excessive heat caused by circular motion in a small area
  - Excessive pressure
  - Use of worn out or glazed discs

### MAINTENANCE

**WARNING** To reduce the risk of injury, always unplug the charger and remove the battery pack from the charger or tool before performing any maintenance. Never disassemble the tool, battery pack or charger. Contact a MILWAUKEE service facility for ALL repairs.

#### Maintaining Tool

Keep your tool, battery pack and charger in good repair by adopting a regular maintenance program. After six months to one year, depending on use, return the tool, battery pack and charger to a MILWAUKEE service facility for:

- Lubrication
- Mechanical inspection and cleaning (gears, spindles, bearings, housing, etc.)
- Electrical inspection (battery pack, charger, motor)
- Testing to assure proper mechanical and electrical operation

If the tool does not start or operate at full power with a fully charged battery pack, clean the contacts on the battery pack. If the tool still does not work properly, return the tool, charger and battery pack, to a MILWAUKEE service facility for repairs.

**WARNING** To reduce the risk of personal injury and damage, never immerse your tool, battery pack or charger in liquid or allow a liquid to flow inside them.

#### Cleaning

Clean dust and debris from charger and tool vents. Keep tool handles clean, dry and free of oil or grease. Use only mild soap and a damp cloth to clean the tool, battery pack and charger since certain cleaning agents and solvents are harmful to plastics and other insulated parts. Some of these include gasoline, turpentine, lacquer thinner, paint thinner, chlorinated cleaning solvents, ammonia and household detergents containing ammonia. Never use flammable or combustible solvents around tools.

#### Repairs

For repairs, return the tool, battery pack and charger to the nearest service center.

### ACCESSORIES

**WARNING** Always remove battery pack before changing or removing accessories. Only use accessories specifically recommended for this tool. Others may be hazardous.

For a complete listing of accessories refer to your MILWAUKEE Electric Tool catalog or go online to [www.milwaukeetool.com](http://www.milwaukeetool.com). To obtain a catalog, contact your local distributor or service center.

### LIMITED WARRANTY - USA AND CANADA

Every MILWAUKEE power tool (including cordless product – tool, battery pack(s) - see separate & distinct CORDLESS BATTERY PACK LIMITED WARRANTY statements & battery charger and Work Lights\*) is warranted to the original purchaser only to be free from defects in material and workmanship. Subject to certain exceptions, MILWAUKEE will repair or replace any part on an electric power tool which, after examination, is determined by MILWAUKEE to be defective in material or workmanship for a period of five (5) years\* after the date of purchase unless otherwise noted. Return of the power tool to a MILWAUKEE factory Service Center location or MILWAUKEE Authorized Service Station, freight prepaid and insured, is required. A copy of the proof of purchase should be included with the return product. This warranty does not apply to damage that MILWAUKEE determines to be from repairs made or attempted by anyone other than MILWAUKEE authorized personnel, misuse, alterations, abuse, normal wear and tear, lack of maintenance, or accidents.

\*The warranty period for, Job Site Radios, M12™ Power Port, M18™ Power Source, and Trade Titan™ Industrial Work Carts is one (1) year from the date of purchase. The warranty period for a LED Work Light and LED Upgrade Bulb is a limited LIFETIME warranty to the original purchaser only, if during normal use the LED bulb fails the Work Light or Upgrade Bulb will be replaced free of charge.

\*This warranty does not cover Air Nailers & Stapler, Airless Paint Sprayer, Cordless Battery Packs, Gasoline Driven Portable Power Generators, Hand Tools, Hoist – Electric, Lever & Hand Chain, M12™ Heated Jackets, Reconditioned product and Test & Measurement products. There are separate and distinct warranties available for these products.

Warranty Registration is not necessary to obtain the applicable warranty on a MILWAUKEE power tool product. The manufacturing date of the product will be used to determine the warranty period if no proof of purchase is provided at the time warranty service is requested.

ACCEPTANCE OF THE EXCLUSIVE REPAIR AND REPLACEMENT REMEDIES DESCRIBED HEREIN IS A CONDITION OF THE CONTRACT FOR THE PURCHASE OF EVERY MILWAUKEE PRODUCT. IF YOU DO NOT AGREE TO THIS CONDITION, YOU SHOULD NOT PURCHASE THE PRODUCT. IN NO EVENT SHALL MILWAUKEE BE LIABLE FOR ANY INCIDENTAL, SPECIAL, CONSEQUENTIAL OR PUNITIVE DAMAGES, OR FOR ANY COSTS, ATTORNEY FEES, EXPENSES, LOSSES OR DELAYS ALLEGED TO BE AS A CONSEQUENCE OF ANY DAMAGE TO, FAILURE OF, OR DEFECT IN ANY PRODUCT INCLUDING, BUT NOT LIMITED TO, ANY CLAIMS FOR LOSS OF PROFITS. SOME STATES DO NOT ALLOW THE EXCLUSION OR LIMITATION OF INCIDENTAL OR CONSEQUENTIAL DAMAGES, SO THE ABOVE LIMITATION OR EXCLUSION MAY NOT APPLY TO YOU. THIS WARRANTY IS EXCLUSIVE AND IN LIEU OF ALL OTHER EXPRESS WARRANTIES, WRITTEN OR ORAL. TO THE EXTENT PERMITTED BY LAW, MILWAUKEE DISCLAIMS ANY IMPLIED WARRANTIES, INCLUDING WITHOUT LIMITATION ANY IMPLIED WARRANTY OF MERCHANTABILITY OR FITNESS FOR A PARTICULAR USE OR PURPOSE; TO THE EXTENT SUCH DISCLAIMER IS NOT PERMITTED BY LAW, SUCH IMPLIED WARRANTIES ARE LIMITED TO THE DURATION OF THE APPLICABLE EXPRESS WARRANTY AS DESCRIBED ABOVE. SOME STATES DO NOT ALLOW LIMITATIONS ON HOW LONG AN IMPLIED WARRANTY LASTS, SO THE ABOVE LIMITATION MAY NOT APPLY TO YOU, THIS WARRANTY GIVES YOU SPECIFIC LEGAL RIGHTS, AND YOU MAY ALSO HAVE OTHER RIGHTS WHICH VARY FROM STATE TO STATE. This warranty applies to product sold in the U.S.A. and Canada only.

Please consult the 'Service Center Search' in the Parts & Service section of MILWAUKEE's website [www.milwaukee.com](http://www.milwaukee.com) or call 1.800.SAWDUST (1.800.729.3878) to locate your nearest service facility for warranty and non-warranty service on a Milwaukee electric power tool.

### LIMITED WARRANTY - MEXICO, CENTRAL AMERICA AND CARIBBEAN

TECHTRONIC INDUSTRIES' warranty is for 5 year since the original purchase date.

This warranty card covers any defect in material and workmanship on this Power Tool.

To make this warranty valid, present this warranty card, sealed/stamped by the distributor or store where you purchased the product, to the Authorized Service Center (ASC). Or, if this card has not been sealed/stamped, present the original proof of purchase to the ASC.

Call toll-free 1 800 832 1949 to find the nearest ASC, for service, parts, accessories or components.

#### Procedure to make this warranty valid

Take the product to the ASC, along with the warranty card sealed/stamped by the distributor or store where you purchased the product, and there any faulty piece or component will be replaced without cost for you. We will cover all freight costs relative with this warranty process.

#### Exceptions

This warranty is not valid in the following situations:

a) When the product is used in a different manners from the end-user guide or instruction manual.

b) When the conditions of use are not normal.

c) When the product was modified or repaired by people not authorized by TECHTRONIC INDUSTRIES.

Note: If cord set is damaged, it should be replaced by an Authorized Service Center to avoid electric risks.

Model: \_\_\_\_\_

Date of Purchase: \_\_\_\_\_

Distributor or Store Stamp: \_\_\_\_\_

SERVICE AND ATTENTION CENTER  
Av Presidente Mazarik 29 Piso 7, 11570 Chapultepec Morales  
Miguel Hidalgo, Distrito Federal, Mexico  
Ph. 52 55 4160-3547

IMPORTED AND COMMERCIALIZED BY:  
TECHTRONIC INDUSTRIES MEXICO, S.A. DE C.V.  
Av Presidente Mazarik 29 Piso 7, 11570 Chapultepec Morales  
Miguel Hidalgo, Distrito Federal, Mexico

### RÈGLES DE SÉCURITÉ GÉNÉRALES RELATIVES AUX OUTILS ÉLECTRIQUES

**AVERTISSEMENT LIRE TOUTES LES RÈGLES ET INSTRUCTIONS DE SÉCURITÉ.**  
Ne pas suivre l'ensemble des règles et instructions peut entraîner une électrocution, un incendie ou des blessures graves. **Conserver les règles et les instructions à des fins de référence ultérieure.** Le terme «outil électrique» figurant dans les avertissements ci-dessous renvoie à l'outil électrique à alimentation par le réseau (à cordon) ou par batterie (sans fil).

#### SÉCURITÉ DU LIEU DE TRAVAIL

- **Maintenir la zone de travail propre et bien éclairée.** Les zones encombrées ou mal éclairées sont favorables aux accidents.
- **Ne pas utiliser d'outil électrique dans une atmosphère explosive, telle qu'en en présence de liquides, de gaz ou de poussières inflammables.** Les outils électriques génèrent des étincelles qui peuvent enflammer les poussières ou les fumées.
- **Tenir les enfants et les personnes non autorisées à l'écart pendant le fonctionnement d'un outil électrique.** Un manque d'attention de l'opérateur risque de lui faire perdre le contrôle de l'outil.

#### SÉCURITÉ ÉLECTRIQUE

- **La fiche de l'outil électrique doit correspondre à la prise d'alimentation. Ne jamais modifier la fiche d'une manière quelconque. Ne pas utiliser d'adaptateur avec les outils électriques mis à la terre (à la masse).** Des fiches non modifiées et des prises d'alimentation assorties réduisent le risque de choc électrique.
- **Éviter tout contact corporel avec des surfaces reliées à la masse ou à la terre telles que tuyaux, radiateurs, cuisinières et réfrigérateurs.** Un risque de choc électrique plus élevé existe si le corps est relié à la masse ou à la terre.
- **Ne pas exposer les outils électriques à la pluie ou à l'humidité.** Le risque de choc électrique augmente si de l'eau s'infiltré dans un outil électrique.
- **Prendre soin du cordon. Ne jamais utiliser le cordon pour transporter, tirer ou débrancher l'outil électrique. Tenir le cordon à l'écart de la chaleur, des huiles, des arêtes coupantes ou des pièces en mouvement.** Un cordon endommagé ou emmêlé présente un risque accru de choc électrique.
- **Se procurer un cordon d'alimentation approprié en cas d'utilisation d'un outil électrique à l'extérieur.** L'utilisation d'un cordon d'alimentation pour usage extérieur réduit le risque de choc électrique.
- **S'il est nécessaire d'utiliser l'outil électrique dans un endroit humide, installer un appareil à courant résiduel (RCD).** L'utilisation d'un RCD réduit le risque de décharge électrique.

#### SÉCURITÉ INDIVIDUELLE

- **Être sur ses gardes, être attentif et faire preuve de bon sens en utilisant un outil électrique. Ne pas utiliser un outil électrique en cas de fatigue ou sous l'influence de drogues, d'alcool ou de médicaments.** Un instant d'inattention lors de l'utilisation d'un outil électrique peut entraîner des blessures graves.
- **Porter l'équipement de protection requis. Toujours porter une protection oculaire.** Selon les conditions, porter aussi un masque anti-

poussières, des bottes de sécurité antidérapantes, un casque protecteur ou une protection auditive afin de réduire les blessures.

- **Empêcher les démarrages accidentels. S'assurer que la gâchette est en position d'arrêt avant de brancher l'outil à une source de courant, d'insérer la batterie, de le ramasser ou de le transporter.** Le fait de transporter l'outil en gardant le doigt sur la gâchette ou de le brancher lorsque la gâchette est en position de marche favorise les accidents.
- **Retirer toute clé de réglage avant de mettre l'outil sous tension.** Une clé laissée attachée sur une pièce mobile de l'outil électrique peut entraîner des blessures.
- **Ne pas travailler à bout de bras. Bien garder un bon équilibre à tout instant.** Ceci permet de mieux préserver la maîtrise de l'outil électrique dans des situations imprévues.
- **Porter des vêtements adéquats. Ne pas porter de vêtements amples ni de bijoux. Ne pas approcher les cheveux, vêtements et gants des pièces en mouvement.** Les vêtements amples, les bijoux ou les cheveux longs risquent d'être happés par les pièces en mouvement.
- **Si des dispositifs sont prévus pour l'extraction et la récupération des poussières, vérifier qu'ils sont connectés et utilisés correctement.** L'utilisation de ces dispositifs peut réduire les risques liés aux poussières.

#### UTILISATION ET ENTRETIEN DE L'OUTIL ÉLECTRIQUE

- **Ne pas forcer l'outil électrique. Utiliser l'outil électrique approprié à l'application considérée.** L'outil électrique adapté au projet considéré produira de meilleurs résultats, dans des conditions de sécurité meilleures, à la vitesse pour laquelle il a été conçu.
- **Ne pas utiliser l'outil électrique si le commutateur ne le met pas sous ou hors tension.** Tout outil électrique dont le commutateur de marche-arrêt est inopérant est dangereux et doit être réparé.
- **Débrancher la fiche de la prise d'alimentation et/ou la batterie de l'outil électrique avant d'effectuer des réglages, de changer d'accessoires ou de ranger l'outil.** De telles mesures de sécurité préventive réduisent le risque de mettre l'outil en marche accidentellement.
- **Ranger les outils électriques inutilisés hors de la portée des enfants et ne pas laisser des personnes qui connaissent mal les outils électriques ou ces instructions utiliser ces outils.** Les outils électriques sont dangereux dans les mains d'utilisateurs non formés à leur usage.
- **Entretien des outils électriques. S'assurer de l'absence de tout désalignement ou de grip-page des pièces mobiles, de toute rupture de**

pièce ou de toute autre condition qui pourrait affecter le bon fonctionnement de l'outil électrique. En cas de dommages, faire réparer l'outil avant de l'utiliser de nouveau. Les outils électriques mal entretenus sont à la source de nombreux accidents.

• **Garder les outils de coupe affûtés et propres.** Les outils de coupe correctement entretenus et bien affûtés risquent moins de se gripper et sont plus faciles à manier.

• **Utiliser l'outil électrique, les accessoires, les grains etc. conformément à ces instructions en tenant compte des conditions de travail et de la tâche à effectuer.** L'utilisation de cet outil électrique pour effectuer une opération pour laquelle il n'est pas conçu peut occasionner une situation dangereuse.

### UTILISATION ET ENTRETIEN DE LA BATTERIE

• **Ne recharger la batterie qu'avec le chargeur spécifié par le fabricant.** Un chargeur qui convient à un type de batterie peut créer un risque d'incendie s'il est utilisé avec un autre type de batterie.

• **N'utiliser les outils électriques qu'avec les batteries spécialement conçues pour eux.** L'utilisation de batteries d'autres marques peut créer un risque de blessure et d'incendie.

• **Lorsque la batterie est hors service, la ranger à l'écart d'autres objets métalliques tels que trombones, pièces de monnaie, clés, clous, vis et autres petits objets métalliques qui peuvent établir une connexion d'une borne à l'autre.** Un court-circuit aux bornes de la batterie peut provoquer des brûlures ou un incendie.

• **Du liquide peut être éjecté de la batterie en cas de manutention abusive ; éviter tout contact. En cas de contact accidentel avec les projections, rincer à l'eau. En cas de contact avec les yeux, consulter un médecin.** Le liquide s'échappant de la batterie peut provoquer des irritations ou des brûlures.

### ENTRETIEN

• **Faire effectuer l'entretien de l'outil électrique par un technicien qualifié qui n'utilisera que des pièces de rechange identiques.** La sécurité d'utilisation de l'outil en sera préservée.

### RÈGLES DE SÉCURITÉ SPÉCIFIQUES

Règles de sécurité générales pour le meulage des pièces, le nettoyage à l'aide d'une brosse métallique ou le découpage à l'abrasif :

• **Cet outil électrique est conçu pour servir de meuleuse, ponceuse, brosse métallique ou d'outil à tronçonner.** Consulter tous les avertissements et toutes les instructions, les illustrations et les précisions fournis avec cet outil électrique. Ne pas suivre l'ensemble des instructions décrites ci-dessous peut entraîner une électrocution, un incendie ou des blessures graves.

• **Il n'est pas recommandé d'utiliser cet outil électrique pour polir des pièces.** Le fait d'utiliser l'outil pour effectuer des tâches pour lesquelles il n'est pas conçu peut présenter du danger et entraîner des blessures.

• **Ne pas utiliser des accessoires qui ne sont pas spécialement conçus et recommandés par**

le fabricant. Le simple fait qu'un accessoire peut s'ajuster sur l'outil électrique ne signifie pas qu'il peut être utilisé en toute sécurité.

• **La vitesse nominale de l'accessoire doit au moins être égale à la vitesse maximale indiquée sur l'outil électrique.** Les accessoires qui sont utilisés à une vitesse supérieure à leur VITESSE NOMINALE peuvent se briser et se détacher.

• **Le diamètre extérieur et l'épaisseur de l'accessoire doivent être conformes à la capacité de l'outil électrique.** Il est impossible d'envelopper ou de contrôler adéquatement un accessoire de dimension inappropriée.

La taille de l'arbre des meules, des brides, des plateaux porte-disque ou de tout autre accessoire doit convenir parfaitement à la broche de l'outil électrique. Si les accessoires utilisés sont dotés d'alésages centraux qui ne conviennent pas à la pièce de montage de l'outil, ils se déstabiliseront, vibreront de façon excessive et pourront causer une perte de contrôle.

• **Ne pas utiliser un accessoire endommagé. Inspecter l'accessoire avant chaque utilisation afin de s'assurer que les meules, par exemple, sont exemptes d'ébrèchures et de fissures, que le plateau porte-disque est exempt de fissures et qu'il n'est pas usé de façon excessive, et que la brosse métallique ne comprend pas de fils détachés ou craquelés.** Si l'outil électrique ou l'accessoire est échappé, s'assurer qu'il n'est pas endommagé ou installer un autre accessoire. Après avoir effectué cette opération, se tenir à distance de l'accessoire en rotation et faire fonctionner l'outil à sa vitesse à vide maximale pendant une minute. S'assurer que personne ne se tient à proximité de l'outil. Les accessoires endommagés se brisent généralement lors de cette vérification.

• **Porter de l'équipement de protection individuelle. Selon le type d'opération, porter un masque de protection ou des lunettes de sécurité. Au besoin, porter également un masque anti-poussières, un protecteur d'oreille, des gants et un tablier d'atelier résistant aux petits fragments abrasifs ou aux fragments provenant des pièces à travailler.** La protection oculaire utilisée doit résister aux débris projetés lors des différentes opérations. La protection oculaire utilisée doit résister aux débris projetés lors des différentes opérations. Le masque anti-poussières et le masque filtrant doivent filtrer les particules produites lors de l'opération. Une exposition prolongée à un bruit fort peut entraîner une perte auditive.

• **S'assurer que personne ne se tient à proximité du lieu de travail. Toute personne qui entre sur le lieu de travail doit porter l'équipement de protection individuelle requis.** Des fragments provenant de la pièce à travailler ou d'un accessoire brisé peuvent être projetés et causer des blessures, même à des personnes se tenant à une certaine distance du lieu de travail immédiat.

• **Lorsque l'outil est utilisé pour un travail risquant de mettre l'accessoire de coupe en contact avec des fils électriques cachés, le tenir par les surfaces de prise isolées uniquement.** Le contact d'un accessoire de coupe avec un fil sous tension « électrifié » les pièces métalliques exposées de l'outil et peut électrocuter l'utilisateur.

• **Tenir le cordon loin de l'accessoire en rotation.** En cas de perte de contrôle, le cordon peut être coupé ou accroché, et la main ou le bras de l'utilisateur risquent d'entrer en contact avec l'accessoire en rotation.

• **Ne jamais déposer l'outil électrique avant l'arrêt complet de l'accessoire.** L'accessoire en rotation peut attraper la surface et occasionner une perte de contrôle.

• **Ne jamais laisser l'outil électrique fonctionner en le transportant à ses côtés.** L'accessoire en rotation peut s'accrocher accidentellement aux vêtements et entrer en contact avec l'utilisateur.

• **Nettoyer régulièrement les événements d'aération de l'outil électrique.** Le ventilateur du moteur aspire la poussière dans le logement et crée une accumulation excessive de métal fritté, ce qui peut causer un danger électrique.

• **Ne pas faire fonctionner l'outil électrique à proximité de matériaux inflammables.** Les étincelles peuvent enflammer ces matériaux.

• **Ne pas utiliser d'accessoires qui nécessitent des liquides de refroidissement.** L'utilisation d'eau ou d'un autre liquide de refroidissement peut entraîner une électrocution ou un choc électrique.

**REMARQUE** L'avertissement ci-dessus ne s'applique pas aux outils électriques spécialement conçus pour être utilisés avec un système de liquide.

### REBONDS ET AVERTISSEMENTS CONNEXES

Un rebond est une réaction soudaine attribuable au pincement ou à l'accrochage de la meule, du plateau porte-disque, de la brosse ou de tout autre accessoire en rotation. Un pincement ou un accrochage provoque le blocage immédiat de l'accessoire en rotation qui, à son tour, entraîne l'outil incontrôlé dans le sens opposé à la rotation de l'accessoire, à l'endroit du coincement.

Par exemple, si une meule abrasive est accrochée ou pincée par la pièce à travailler, le rebond de la meule qui entre dans le point de pincement peut s'enfoncer dans la surface du matériau, éjectant la meule ou la faisant rebondir. La meule peut sauter vers l'utilisateur ou loin de lui, selon le sens du mouvement de la meule au point de pincement. Dans ces conditions d'utilisation, les meules abrasives peuvent également se briser.

Un rebond est attribuable à une mauvaise utilisation de l'outil ou au non-respect des procédures ou des conditions d'utilisation. Pour empêcher les rebonds, respecter les directives décrites ci-dessous.

• **Tenir fermement l'outil électrique et placer le corps et les mains de manière à pouvoir résister aux rebonds. Toujours utiliser la poignée auxiliaire, s'il y en a une, pour assurer un contrôle optimal en cas de rebond ou de réaction de couple lors du démarrage de l'outil.** L'utilisateur peut contrôler les rebonds et les réactions de couple s'il respecte les directives prescrites.

• **Ne jamais placer les mains à proximité de l'accessoire en rotation.** En cas de rebond, l'accessoire peut dévier sur celles-ci.

• **Ne pas positionner le corps à l'endroit où sera entraîné l'outil électrique si un rebond se produit.** Un rebond entraînera l'outil dans le sens opposé au mouvement de la meule, à l'endroit de l'accrochage.

• **Faire preuve d'une extrême prudence au moment d'utiliser l'outil sur des coins ou des rebords tranchants.** Les coins, les rebords tranchants et les surfaces qui tressautent ont tendance à s'accrocher à la pièce en rotation et à causer une perte de contrôle ou des rebonds.

• **Ne pas fixer une lame de sculpteur pour scie à chaîne ou une lame de scie dentée.** Ces deux types de lame occasionnent de nombreux rebonds et des pertes de contrôle fréquentes.

Règles de sécurité spécifiques pour le meulage des pièces et le découpage à l'abrasif :

• **Utiliser seulement les types de meule recommandés pour cet outil électrique et le garde-meule spécialement conçu pour la meule utilisée.** Il est impossible d'envelopper de façon adéquate et sécuritaire les meules qui ne sont pas spécialement conçues pour l'outil électrique.

• **Le garde-meule doit être fixé solidement à l'outil électrique et positionné de manière à garantir une sécurité optimale ; il importe donc de diriger le moins possible la meule vers l'utilisateur.** La garde aide à protéger l'opérateur des fragments de meule brisés et d'un contact accidentel avec la meule ainsi que des étincelles pouvant enflammer les vêtements.

**REMARQUE** L'avertissement ci-dessus peut être ignoré pour les meuleuses ou meules de tronçonnage d'une capacité nominale inférieure à 55 mm.

• **Utiliser seulement les meules pour effectuer des opérations pour lesquelles elles sont conçues. Par exemple : ne pas meuler avec le côté d'une meule à tronçonner.** Seule la périphérie des meules à tronçonner abrasives doit être utilisée pour le meulage. Le fait d'appliquer une force latérale sur ces meules peut provoquer leur éclatement.

• **Toujours utiliser des brides de meule non endommagées de formes et de dimensions convenables pour la meule choisie.** Les brides de meule adéquates soutiennent la meule, ce qui minimise les risques de bris de celle-ci. Les brides de meules à tronçonner peuvent différer des brides de meules standards.

• **Ne pas utiliser de meules usées qui provoquent d'outils électriques de plus grandes dimensions.** Les meules conçues pour des outils électriques de plus grandes dimensions ne conviennent pas à la vitesse plus élevée des outils de plus petites dimension et peuvent éclater.

Règles de sécurité supplémentaires spécifiques pour le découpage à l'abrasif :

• **S'assurer que la meule à tronçonner ne se coince pas et éviter d'appliquer trop de pression. Ne pas régler la meule à une profondeur de coupe excessive.** Le fait d'appliquer trop de pression sur la meule augmente la charge, la tendance de la meule à se tordre ou à se coincer pendant la coupe, ainsi que les risques de rebond ou de bris de la meule.

• **Ne pas se tenir vis-à-vis de la meule en rotation ou derrière celle-ci.** Pendant l'opération, lorsque la meule s'éloigne de l'utilisateur, un rebond pouvant projeter la meule en rotation et l'outil électrique directement vers l'utilisateur peut se produire.

- Si la meule se coince ou si l'opération de coupe est interrompue pour une raison quelconque, éteindre l'outil électrique et le maintenir immobile jusqu'à ce que la meule s'arrête complètement. **Ne jamais essayer de retirer la meule à trancher de la coupe quand la meule est en mouvement, car ceci pourrait provoquer un rebond.** Déterminer et éliminer la cause du blocage de la meule.
- **Ne pas remettre en marche l'outil si celui-ci est dans la pièce à travailler. Permettre à la meule d'atteindre sa vitesse maximale puis la réinsérer dans le trait de coupe avec précaution.** La meule risque de se coincer, de se soulever ou de rebondir si cette précaution n'est pas prise.
- **Soutenir les panneaux ainsi que toute pièce à travailler surdimensionnée afin de minimiser les risques de pincement et de rebond de la meule.** Les pièces à travailler de grandes dimensions ont tendance à fléchir sous leur propre poids. Il importe donc de disposer des supports sous la pièce à travailler, près du trait de coupe ainsi que du rebord de la pièce à travailler, des deux côtés de la meule.
- **Redoubler de prudence lors de la découpe d'évidements dans des cloisons existantes ou autres endroits sans visibilité arrière.** La meule sortante peut couper les conduites d'eau ou de gaz, le câblage électrique, ainsi que tout autre objet pouvant provoquer un rebond.

**Règles de sécurité spécifiques pour le ponçage :**

- **Ne pas utiliser un papier pour disque abrasif surdimensionné. Suivre les recommandations du fabricant au moment de choisir le papier abrasif.** Un papier abrasif qui excède la surface du disque de ponçage présente un danger de lacération et peut s'accrocher, se déchirer, ou entraîner un rebond.

**Règles de sécurité spécifiques pour le brosse métallique :**

- Porter une attention particulière à la brosse métallique, dont les poils peuvent être projetés même pendant une opération régulière. Éviter de surcharger les poils en appuyant sur la brosse de manière excessive. Les poils de la brosse métallique peuvent pénétrer facilement dans les vêtements léger ou la peau.
- S'il est recommandé d'installer un dispositif protecteur pour utiliser une brosse métallique, s'assurer qu'il n'entre pas en contact avec la brosse. Le diamètre de la brosse métallique peut augmenter en raison de la charge et de la force centrifuge.

**Règles de sécurité supplémentaires**

- **Maintenir en l'état les étiquettes et les plaques d'identification.** Des informations importantes y figurent. Si elles sont illisibles ou manquantes, contacter un centre de services et d'entretien MILWAUKEE pour un remplacement gratuit.
- **AVERTISSEMENT :** Certaines poussières générées par les activités de ponçage, de coupe,

de rectification, de perçage et d'autres activités de construction contiennent des substances considérées être la cause de malformations congénitales et de troubles de l'appareil reproducteur. Parmi ces substances figurent :

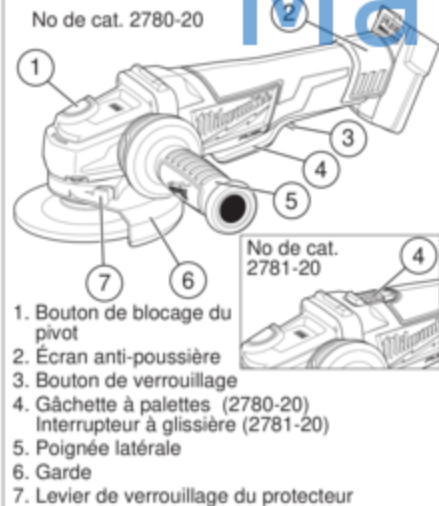
- le plomb contenu dans les peintures à base de plomb;
- la silice cristalline des briques, du ciment et d'autres matériaux de maçonnerie, ainsi que
- l'arsenic et le chrome des sciages traités chimiquement.

Les risques encourus par l'opérateur envers ces expositions varient en fonction de la fréquence de ce type de travail. Pour réduire l'exposition à ces substances chimiques, l'opérateur doit : travailler dans une zone bien ventilée et porter l'équipement de sécurité approprié, tel qu'un masque anti-poussière spécialement conçu pour filtrer les particules microscopiques.

### PICTOGRAPHIE

	Volts
	Tension CD seul
$n \text{ xxx } \text{min.}^{-1}$	Tours-minute à charge (RPM)
	Underwriters Laboratories, Inc. Etats-Unis et Canada

### DESCRIPTION FONCTIONNELLE



### SPECIFICATIONS

No de cat.	Volts c.d.	RPM	Dimension Pivot	Maximale Dimension Meule	Type d'interrupteur
2780-20	18	8 500	5/8"-11	127 mm (5")	Gâchette à palettes
2781-20	18	8 500	5/8"-11	127 mm (5")	Interrupteur à glissière

### MONTAGE DE L'OUTIL

**AVERTISSEMENT** Ne recharger la batterie qu'avec le chargeur spécifié. Pour les instructions de charge spécifiques, lire le manuel d'utilisation fourni avec le chargeur et les batteries.

**Insertion/Retrait de la batterie**  
Pour retirer la batterie, enfoncez les boutons de déverrouillage et la tirer hors de l'outil. Pour insérer la batterie, la glisser dans le corps de l'outil. S'assurer qu'elle est fixée solidement.

**AVERTISSEMENT** Il faut toujours retirer la batterie et verrouiller la détente de l'outil avant de changer ou d'enlever les accessoires. L'emploi d'accessoires autres que ceux qui sont expressément recommandés pour cet outil peut comporter des risques.

**AVERTISSEMENT** Pour minimiser les risques de blessures, portez des lunettes à coques latérales.

**Installation/Retrait/Nettoyage de l'écran anti-poussière**

L'utilisation de l'écran anti-poussière améliore les performances et augmente la durée de vie de l'outil.

1. Pour fixer l'écran anti-poussière, enclencher l'écran sur la poignée de l'outil.
2. Pour retirer l'écran anti-poussière, insérer un tournevis plat dans l'encoche située en haut de l'écran anti-poussière et faire levier.
3. Pour nettoyer l'écran anti-poussière, tapoter contre une surface dure, ou souffler de l'air comprimé.

**Pose de la poignée latérale**

Il est possible d'installer la poignée latérale sur le dessus ou de l'un ou l'autre des côtés de la boîte d'engrenages. Placez la poignée sur le côté offrant la meilleure maîtrise de l'outil et la meilleure protection du garde-meule. Vissez la poignée dans la cavité fileté sur le côté de l'outil et serrez-la à fond.

**AVERTISSEMENT** Pour minimiser les risques de blessures :

- TOUJOURS utiliser le garde-meule approprié.
- TOUJOURS installer correctement le garde-meule.
- TOUJOURS tenir l'outil fermement avec les deux mains avant de commencer à meuler.
- NE JAMAIS employer une meule qu'on a laissé tomber.
- NE JAMAIS heurter le matériau avec le disque.
- NE JAMAIS meuler sans équipement de protection.

**Installation, retrait et réglage du garde-meule**  
L'outil est doté d'un garde-meule. Le garde-meule doit être utilisé lorsque l'outil sert de rectifieuse. Lorsque l'outil est employé comme ponceuse, il faut retirer le garde-meule.

1. Pour retirer le garde-meule, retirer la batterie et enlevez du pivot tous les accessoires.
2. Appuyez sur le levier de verrouillage et faites tourner le garde-meule pour aligner les pattes et les encoches tel qu'indiqué.
3. Appuyez sur le levier de verrouillage, relevez le garde et écartez-le de l'outil.

Fig. 1



4. Pour installer le garde-meule, retirer la batterie et enlevez du pivot tous les accessoires.  
**REMARQUE :** utiliser uniquement des meules de 114 mm (4-1/2") avec des protecteurs de 114 mm (4-1/2") (disponibles en accessoire). Utiliser uniquement des meules de 127 mm (5") avec des protecteurs de 127 mm (5").
5. Alignez les pattes et les encoches tel qu'indiqué.
6. Appuyez sur le levier de verrouillage et appuyez sur le garde pour le fixer en place.
7. Pour régler la position du garde-meule, appuyez sur le levier de verrouillage et faites tourner le garde vers une des cinq encoches de détente.

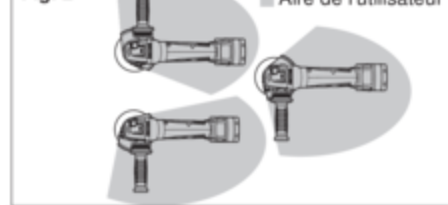
**AVERTISSEMENT** N'utilisez que des disques dont la vitesse de rotation sécuritaire excède la vitesse de rotation mentionnée sur la fiche signalétique de l'outil. Cette vitesse de rotation est basée sur la résistance du disque en tenant compte de la sécurité. La vitesse de rotation indiquée n'est pas une norme de rendement, mais une norme de vitesse de rotation sécuritaire qu'il ne faut pas excéder.

**Installation de la meule**

S'assurer que la meule ne dépasse pas la partie inférieure du protecteur. Un protecteur plus grand peut être nécessaire pour les meules à moyeu fileté (voir « Accessoires »).

1. Retirer la batterie.
2. Placer le protégé-meule correctement (Fig. 2).

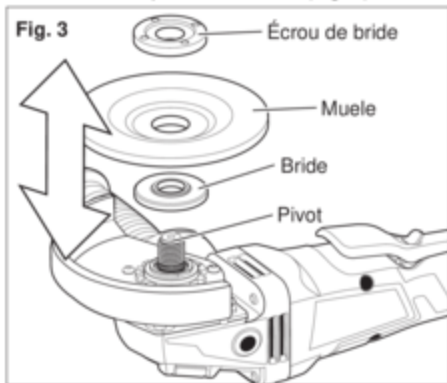
Fig. 2





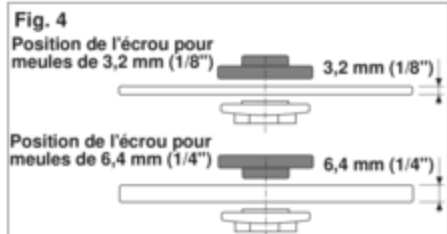
- Essuyer la bride, l'écrou de bride et la broche afin d'enlever la poussière et les débris. Inspecter les pièces afin de s'assurer qu'elles ne sont pas endommagées. Procéder à des remplacements, au besoin.

- Placer la flasque sur la broche (Fig. 3).



- Placer la meule sur la broche et l'aligner avec la flasque.

- Placer l'écrou évasé au-dessus de la broche, selon l'épaisseur de la meule (Fig. 4).



- Appuyer sur le dispositif de verrouillage de la broche tout en tournant l'écrou évasé dans le sens horaire. Serrer solidement à l'aide d'une clé tricoise.

- Pour retirer la meule, retirer la batterie et répéter les étapes dans l'ordre inverse.

## MANIEMENT

**AVERTISSEMENT** Il faut toujours retirer la batterie et verrouiller la détente de l'outil avant de changer ou d'enlever les accessoires. L'emploi d'accessoires autres que ceux qui sont expressément recommandés pour cet outil peut comporter des risques.

**AVERTISSEMENT** Pour minimiser les risques de blessures, portez des lunettes à coques latérales.

### Démarrage contrôlé

La fonction de démarrage contrôlé réduit le « coup de bélier » du couple de réaction.

## Fonctionnement de la gâchette à palettes (2780-20)

Pour **démarrer** l'outil, tenir fermement la poignée latérale et la poignée de support. Pousser le bouton de verrouillage vers la droite et appuyer sur la gâchette à palettes.

Pour **arrêter** l'outil, relâcher la gâchette à palettes. S'assurer que l'outil est complètement arrêté avant de le déposer.

## Fonctionnement de l'interrupteur à glissière (2781-20)

Pour **démarrer** l'outil, tenir fermement la poignée latérale et la poignée de support puis glisser l'interrupteur à la position ON (Marche).

Pour **arrêter** l'outil, relâcher la gâchette. S'assurer que l'outil est complètement arrêté avant de le déposer. Pour **verrouiller** l'interrupteur, le glisser à la position ON (Marche) puis enfoncer l'avant de l'interrupteur. Pour **arrêter** l'outil, appuyer sur l'interrupteur et le relâcher. S'assurer que l'outil est complètement arrêté avant de le déposer.

## Fonctionnement général

- Si vous venez tout juste d'installer un disque abrasif ou de commencer le travail, vérifiez la meule en la laissant tourner pendant une minute avant de l'appliquer sur le matériau. Une meule déstabilisée peut marquer le matériau, causer des dommages à l'outil et imposer une contrainte irrésistible à la meule.

- Utiliser un serre-joint, un étau ou tout autre moyen adéquat pour immobiliser la pièce à travailler et avoir les deux mains libres afin de mieux contrôler l'outil.

- Tenir l'outil de façon sécuritaire avec les deux mains.

- Démarrer l'outil.

- Laissez la meule atteindre son plein régime avant de commencer le meulage.

- Contrôlez la pression et le contact du disque avec la pièce. Une trop grande pression pourra ralentir le meulage.

- Si l'outil se bloque, relâcher la gâchette afin de le réinitialiser. Diminuer la pression pour éviter les blocages.

- Une fois l'opération terminée, mettre l'outil à l'arrêt et attendre que le moteur s'arrête complètement avant de déposer l'outil. S'assurer que l'outil est complètement arrêté avant de le déposer.

## EMPLOI DES MEULES À TRONÇONNER

**AVERTISSEMENT** Une garde-lame de type «< 1 >> doit être installé autour d'un disque à tronçonner pour assurer le maximum de protection à l'utilisateur en cas de bris.

Les meules de type 1 renforcées conviennent pour de petits tronçonnages et des encoches seulement.

Pour tronçonner, tenez la ponceuse-rectifieuse tel qu'indiqué et n'utilisez que le tranchant de la meule.



**AVERTISSEMENT** Il ne faut pas meuler avec le plat d'une meule à tronçonner. Cela pourrait causer l'éclatement de la meule et vous infliger des blessures corporelles graves.

## UTILISATION DES MEULES

**AVERTISSEMENT** Pour minimiser les risques de blessures, l'utilisateur devrait être formé au maniement, à l'entretien et à la protection des meules.

### Sélection des Meules

Utilisez des meules qui sont :

- du calibre adéquat tel qu'indiqué sur la fiche signalétique de l'outil.
- d'un calibre (t/min.) égal ou supérieur à celui qui est indiqué sur la fiche signalétique de l'outil.
- du genre et de la texture adéquats pour la tâche.

Le meulage s'effectue par l'action abrasive de milliers de grains abrasifs sur la face de la meule. Lorsque vous meulez des métaux comme l'acier et le fer, choisissez une meule en corindon. Pour la pierre et le béton, une meule de carbure de silicium et pour les métaux non ferreux, une meule renforcée de coton.

Les meules de type 27 renforcées de 3,2 mm (1/8\") conviennent pour de petits tronçonnages et des encoches seulement.

Pour éviter de les endommager, manipulez les meules avec soin. Avant d'en installer une, inspectez-la pour y déceler des fissures. Si la meule est fissurée, disposez-en afin que personne d'autre ne puisse s'en servir.

### Soin des Meules

Les meules devraient être protégées de :

- l'eau et l'humidité.
- les solvants de tous genres.
- les brusques variations de température.
- les chutes et les heurts.

Les meules devraient être rangées :

- de façon systématique pour permettre le retrait de l'une sans déranger ou endommager les autres.
- avec leur fiche signalétique.

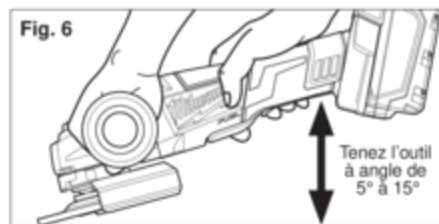
Les meules ne devraient pas :

- choir,
- rouler,
- heurter.

Si on laisse choir une meule, qu'on la roule, la heurte ou la soumet à de brusques changements de température, ou encore, si elle vient en contact avec des solvants ou de l'humidité, il vaut mieux en disposer immédiatement.

### Meulage

Tenez la ponceuse-rectifieuse à un angle de 5° à 15°, tel qu'indiqué et maintenez une pression constante pour obtenir un fini uniforme. Un angle trop grand occasionne une concentration de pression sur de petites surfaces et peut rainurer ou brûler la surface de la pièce à ouvrir.



II ← Pour un meilleur résultat, poncez avec cette portion du disque

## UTILISATION DES BROSSES À FIL D'ACIER

**AVERTISSEMENT** Toutes les personnes présentes dans l'aire de travail doivent porter des vêtements protecteurs, des lunettes à coques latérales ou un masque facial. Des fils rompus et des rognures seront éjectés de la meule avec force et constitueront un risque de blessures graves dans un rayon de 50 pieds de l'endroit d'impact.

Les brosses à fils d'acier sont utiles pour enlever rouille, tartre, bavures, scories de soudure etc. Il existe un vaste choix de brosses à fils d'acier. Toujours installer les brosses coupes métalliques conformément aux instructions du fabricant concernant les accessoires.



**AVERTISSEMENT** Les bouts de fil métallique de la meule en toile métallique convergent vers l'opérateur. C'est pourquoi il faut installer un garde-meule pour se protéger des fils rompus par l'usure qui sont éjectés durant le meulage.

Au moment d'utiliser une brosse coupe métallique, installer le protecteur conformément aux instructions décrites dans la section intitulée « Installation et retrait des accessoires ».



Inspectez la brosse à fils d'acier pour y déceler les fils rompus et en corriger le flottement. Pour effectuer ce test, faites tourner la brosse à vide durant au moins une minute avant de l'appliquer sur la pièce à ouvrir. Durant cette inspection, l'aire de travail devrait être évacuée.

Inspectez la brosse à fils d'acier pour y déceler les fils rompus et en corriger le flottement. Pour effectuer ce test, faites tourner la brosse à vide durant au moins une minute avant de l'appliquer sur la pièce à ouvrir. Durant cette inspection, l'aire de travail devrait être évacuée.

**AVERTISSEMENT** N'exécutez pas la vitesse de rotation sécuritaire pour laquelle la brosse à fils d'acier est calibrée. N'utilisez pas une brosse avariée ou une brosse qui ne fonctionne pas normalement (éjection de fils rompus, flottement etc.). Ces conditions augmentent les risques de bris et de blessures pouvant en résulter. Débarrassez-vous des brosses avariées et employez-en de nouvelles.

## UTILISATION DES DISQUES ABRASIFS

### Sélection des Disques Abrasifs

Utilisez des disques abrasifs qui sont :

- du calibre adéquat tel qu'indiqué sur la fiche signalétique de l'outil.
  - du genre et de la texture adéquats pour la tâche.
  - d'un calibre (t/min.) égal ou supérieur à celui qui est indiqué sur la fiche signalétique de l'outil.
- Consultez le tableau ci-dessous pour connaître le disque abrasif qui convienne à votre tâche. En général, utilisez des disques à 24 ou 36 grains pour le décapage robuste; 50, 60 ou 80 grains pour le décapage moyen et 120 pour la finition. Commencez toujours avec un disque à grains grossiers pour continuer avec des disques progressivement plus fins. Voir «Catalogue» pour la gamme complète des disques abrasifs MILWAUKEE.

#### Corindon

Pour abrasion rapide. Disque d'usage général convenant à la plupart des tâches sur les métaux. Idéal pour l'acier laminé à froid, l'acier inoxydable et les métaux exigeant un abrasif robuste et durable.

#### Aluminium-Zircone Bi-Cut

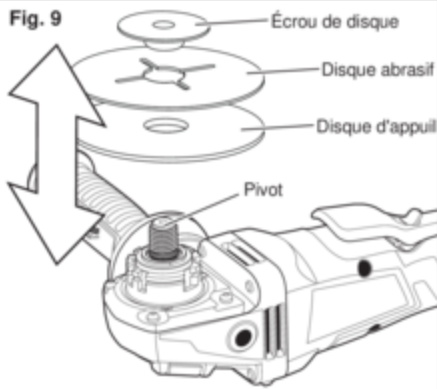
Conception unique des grains formant un agglomérat rugueux pour extirper les dépôts et nettoyer rapidement. Idéal pour décaper sans encroûtagela peinture des autos, bateaux, fibre de verre, etc.

#### Céramique

Dure trois fois plus longtemps qu'un disque en corindon. Pour le travail général sur les métaux, l'outil idéal pour les tâches robustes.

### Installation du disque d'appui et du disque abrasif

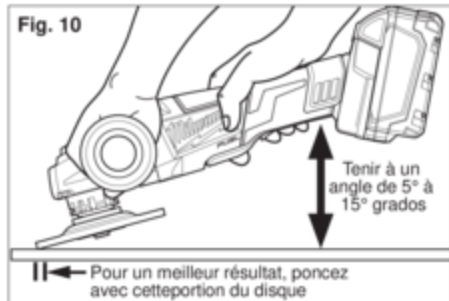
1. Retirer la batterie.
2. Essuyer les accessoires, l'écrou du disque et la broche afin d'enlever la poussière et les débris.
3. Glissez le disque d'appui sur le pivot, côté plat éloigné de la boîte d'engrenages.
4. Placez le disque abrasif sur le disque d'appui et fixez-les au pivot à l'aide de l'écrou de disque.



5. Pour serrer, appuyez sur le bouton de blocage du pivot pendant que vous visserez l'écrou (sens horaire).
6. Pour retirer le disque d'appui et le disque abrasif, retirez la batterie et inversez le procédé.

### Ponçage

Tenez la ponceuse-rectifieuse à un angle de 5° à 15°, tel qu'indiqué, afin d'assurer la pression de ponçage et le contrôle de l'outil. Si l'angle de ponçage est trop grand, il s'ensuivra trop de pression et une usure excessive du disque et du matériau. Si l'angle est trop étroit, le contrôle de l'outil en sera réduit. Ponchez par mouvements larges d'un côté à l'autre en avançant à chaque mouvement jusqu'à l'obtention du fini souhaitable.



### Ponçage latéral

Pour finir une surface préalablement poncée avec un disque à grains grossier ou une meule, ponchez à angle droit des marques laissées par le disque grossier. Les marques laissées par le ponçage précédent sont faciles à voir et à enlever. Si l'on néglige de poncer latéralement après un changement de disque, il pourra rester des rainures profondes et des marques circulaires à la fin du ponçage.

### Ponçage des marques de soudure et de forgeage

Limitez l'emploi d'un disque à grains grossiers aux marques de soudure et de forgeage. Employez successivement des disques à grains plus fins pour lisser la surface.

### Fini du métal

Déplacez constamment la ponceuse sur la surface. Travaillez plus prestement sur les endroits arrondis où le contact avec le disque est restreint et la pression plus grande. Une trop grande pression pourra laisser des marques à la fin d'un mouvement. Réduisez la pression vers la fin des mouvements d'un côté à l'autre pour éviter que les côtés ne soient trop usés à l'endroit où le mouvement revient sur lui-même.

### Dépistage des dérangements

Les rayures profondes peuvent provenir de :

- Usage d'un grain trop grossier.
- Usage d'un disque encroûté.
- Saleté ou particules de métal sur le matériau à poncer.
- Défaut de poncer perpendiculairement aux marques du ponçage grossier après changement de disque.
- Défaut d'utiliser un disque à grains serrés. Les disques à grains serrés perdent moins souvent leurs grains sur la surface.
- Le bleuissement de la surface métallique indique une surchauffe qui peut provenir de :
  - Surchauffe causée par un mouvement circulaire en es pace restreint.
  - Pression excessive.
  - Emploi d'un disque usé ou encroûté.

## ACCESSOIRES

**AVERTISSEMENT** Retirez toujours la batterie avant de changer ou d'enlever les accessoires. L'utilisation d'autres accessoires que ceux qui sont spécifiquement recommandés pour cet outil peut comporter des risques.

Pour une liste complète des accessoires, prière de se reporter au catalogue MILWAUKEE Electric Tool ou visiter le site internet [www.milwaukee.com](http://www.milwaukee.com). Pour obtenir un catalogue, il suffit de contacter votre distributeur local ou l'un des centres-service.

## ENTRETIEN

**AVERTISSEMENT** Pour minimiser les risques de blessures corporelles, débranchez le chargeur et retirez la batterie du chargeur ou de l'outil avant d'y effectuer des travaux d'entretien. Ne démontez jamais l'outil, la batterie ou le chargeur. Pour toute réparation, consultez un centre de service MILWAUKEE accrédité.

### Entretien de l'outil

Gardez l'outil, la batterie et le chargeur en bon état en adoptant un programme d'entretien ponctuel. Après une période de six mois à un an, selon l'utilisation, renvoyez l'outil, la batterie et le chargeur à un centre de service MILWAUKEE accrédité pour les services suivants:

- Lubrification
- Inspection et nettoyage de la mécanique (engrenages, pivots, coussinets, boîtier etc.)
- Inspection électrique (batterie, chargeur, moteur)
- Vérification du fonctionnement électromécanique

Si l'outil ne démarre pas ou ne fonctionne pas à pleine puissance alors qu'il est branché sur une batterie complètement chargée, nettoyez les points de contact entre la batterie et l'outil. Si l'outil ne fonctionne toujours pas correctement, renvoyez l'outil, le chargeur et la batterie à un centre de service MILWAUKEE accrédité, afin qu'on en effectue la réparation (voir "Réparations").

**AVERTISSEMENT** Pour minimiser les risques de blessures ou de dommages à l'outil, n'immergez jamais l'outil, la batterie ou le chargeur et ne laissez pas de liquide s'y infiltrer.

### Nettoyage

Débarrassez les événements du chargeur et de l'outil des débris et de la poussière. Gardez les poignées de l'outil propres, à sec et exemptes d'huile ou de graisse. Le nettoyage de l'outil, du chargeur et de la batterie doit se faire avec un linge humide et un savon doux. Certains nettoyants tels l'essence, la térébenthine, les diluants à laque ou à peinture, les solvants chlorés, l'ammoniaque et les détergents d'usage domestique qui en contiennent pourraient détériorer le plastique et l'isolation des pièces. Ne laissez jamais de solvants inflammables ou combustibles auprès de l'outil.

### Réparations

Pour les réparations, retournez outil, batterie et chargeur en entier au centre-service le plus près.

## GARANTIE LIMITÉE - AUX ÉTATS-UNIS ET AU CANADA

Chaque outil électrique MILWAUKEE (y compris les produits sans fil [outils, piles, chargeur de piles, lampe de travail]; consulter les énoncés de la GARANTIE LIMITÉE DES BLOCS-PILES SANS FIL) est garanti à l'acheteur d'origine être exempt de vice de matériau et de fabrication. Sous réserve de certaines exceptions, MILWAUKEE réparera ou remplacera toute pièce d'un outil électrique qui, après examen par MILWAUKEE, s'est avérée être affectée d'un vice de matériau ou de fabrication pendant une période de cinq (5) ans\* après la date d'achat, sauf indication contraire. Retourner l'outil électrique, à un centre de réparations en usine MILWAUKEE ou à un poste d'entretien agréé MILWAUKEE, en port prépayé et assuré. Une copie de la preuve d'achat doit être présentée au moment de retourner le produit. Cette garantie ne couvre pas les dommages que MILWAUKEE détermine être causés par des réparations ou des tentatives de réparation par quiconque autre que le personnel agréé par MILWAUKEE, des utilisations incorrectes, des altérations, des utilisations abusives, une usure normale, une carence d'entretien ou des accidents.

\*La période de garantie applicable pour les radios de chantier, le port d'alimentation M12™, Source d'énergie M18™, et les chariots de travail industriels Trade Titan™ est d'une durée d'un (1) an à partir de la date d'achat. La période de la garantie couvrant la lampe de travail à DEL et l'ampoule améliorée à DEL est une garantie A VIE limitée à l'acheteur d'origine seulement; si, lors d'une utilisation normale, l'ampoule à DEL présente une défectuosité, la lampe de travail et l'ampoule seront remplacées sans frais.

\*Cette garantie ne s'applique pas aux cloueuses-agrafeuses pneumatiques, aux pulvérisateurs à peinture sans air, aux blocs piles pour outils sans fil, aux génératrices d'alimentation portatives à essence, aux outils à main, au montage-charge – électrique, à levier et à chaîne (manuel), aux vestes chauffantes M12™, aux produits réunés, ni aux produits d'essai et de mesure. Il existe des garanties distinctes pour ces produits.

L'enregistrement de la garantie n'est pas nécessaire pour bénéficier de la garantie en vigueur sur un outil électrique MILWAUKEE. La date de fabrication du produit servira à établir la période de garantie si aucune preuve d'achat n'est fournie lorsqu'une demande de service sous garantie est présentée.

L'ACCEPTATION DES RECOURS EXCLUSIFS DE RÉPARATION ET DE REMPLACEMENT DÉCRITS AUX PRÉSENTES EST UNE CONDITION DU CONTRAT D'ACHAT DE TOUT PRODUIT MILWAUKEE. SI VOUS N'ACCEPTÉZ PAS CETTE CONDITION, VOUS NE DEVEZ PAS ACHETER LE PRODUIT. EN AUCUN CAS MILWAUKEE NE SAURAIT ÊTRE RESPONSABLE DE TOUT DOMMAGE ACCESSOIRE, SPECIAL OU INDIRECT, DE DOMMAGES-INTÉRÊTS PUNITIFS OU DE TOUTE DÉPENSE, D'HONORAIRES D'AVOCATS, DE FRAIS, DE PERTE OU DE DELAIS ACCESSOIRES À TOUT DOMMAGE, DÉFAILLANCE OU DÉFAUT DE TOUT PRODUIT, Y COMPRIS NOTAMMENT LES PERTES DE PROFIT. CERTAINS ÉTATS ET PROVINCES NE PERMETTANT PAS L'EXCLUSION OU LA LIMITATION DES DOMMAGES DIRECTS OU INDIRECTS, LES RESTRICTIONS CI-DESSUS PEUVENT NE PAS ÊTRE APPLICABLES. CETTE GARANTIE EST EXCLUSIVE ET REMPLACE TOUTE AUTRE GARANTIE EXPRESSE, QU'ELLE SOIT ORALE OU ÉCRITE. DANS LA MESURE PERMISE PAR LA LOI, MILWAUKEE RENONCE À TOUTE GARANTIE IMPLICITE, Y COMPRIS, SANS S'Y LIMITER, TOUTE GARANTIE IMPLICITE DE QUALITÉ MARCHANDE OU D'ADAPTATION À UNE UTILISATION OU À UNE FIN PARTICULIÈRE. DANS LA MESURE OÙ UNE TELLE STIPULATION D'EXONÉRATION N'EST PAS PERMISE PAR LA LOI, LA DURÉE DE CES GARANTIES IMPLICITES EST LIMITÉE À LA PÉRIODE APPLICABLE DE LA GARANTIE EXPRESSE. TEL QUE DÉCRIT PRÉCÉDEMMENT. CERTAINS ÉTATS ET PROVINCES NE PERMETTANT PAS DE LIMITATION DE DURÉE DES GARANTIES IMPLICITES, LES RESTRICTIONS CI-DESSUS PEUVENT NE PAS ÊTRE APPLICABLES. LA PRÉSENTE CONFÈRE À L'UTILISATEUR DES DROITS LÉGAUX PARTICULIERS; IL BÉNÉFICIE ÉGALEMENT D'AUTRES DROITS QUI VARIENT D'UN ÉTAT À L'AUTRE.

Cette garantie s'applique aux produits vendus aux États-Unis et au Canada uniquement.

Veillez consulter la rubrique Centre SAV MILWAUKEE, dans la section Pièces & Service du site Web de MILWAUKEE, à l'adresse [www.milwaukeeool.com](http://www.milwaukeeool.com), ou composer le 1-800-SAWDUST (1-800-729-3878) afin de trouver le centre de réparations en usine MILWAUKEE le plus près.

## GARANTIE LIMITÉE – MEXIQUE, AMÉRIQUE CENTRALE ET CARAÏBES

TECHTRONIC INDUSTRIES™ garantit le produit pendant cinq ans à partir de la date d'achat d'origine. Le présent bon de garantie couvre tous les vices de matériau et de fabrication qui peuvent être constatés à l'achat. Pour assurer la validité de la présente garantie, veuillez présenter le bon de commande, estampillé du sceau du distributeur ou du magasin où le produit a été acheté, au centre de réparations agréé. Si le bon de commande n'a pas été estampillé, veuillez fournir la preuve d'achat d'origine au centre de réparations agréé. Pour un entretien, des pièces, des accessoires ou d'autres composants, composer sans frais le 1-800-832-1949 afin d'obtenir les coordonnées du centre de réparations agréé le plus près.

### Procédure pour assurer la validité de la garantie

Présenter le produit au centre de réparations agréé, accompagné du bon de commande estampillé du sceau du distributeur ou du magasin où le produit a été acheté. Toute pièce défectueuse ou tout composant défectueux sera remplacé sans frais. Milwaukee assume tous les frais de transport liés à ce processus de garantie.

### Exceptions

La garantie ne s'applique pas dans les situations suivantes :

- Si le produit a été utilisé pour une fin autre que celle indiquée dans le guide de l'utilisateur final ou le manuel d'instructions.
- Si les conditions d'utilisations ne sont pas habituelles.
- Si le produit a été modifié ou réparé par une personne non autorisée par TECHTRONIC INDUSTRIES.

Note : Si le cordon électrique est endommagé, il doit être remplacé par un centre de réparations agréé pour éviter les risques d'électrocution.

CENTRE DE RÉPARATIONS ET DE SERVICE  
Av Presidente Mazarik 29 Piso 7, 11570 Chapultepec Morales  
Miguel Hidalgo, Distrito Federal, Mexico  
Ph. 52 55 4160-3547

IMPORTÉ ET COMMERCIALISÉ PAR :  
TECHTRONIC INDUSTRIES MEXICO, S.A. DE C.V.  
Av Presidente Mazarik 29 Piso 7, 11570 Chapultepec Morales  
Miguel Hidalgo, Distrito Federal, Mexico

Modèle :

Date d'achat :

Sceau du distributeur ou du magasin :

## ADVERTENCIAS DE SEGURIDAD GENERALES PARA LA HERRAMIENTA ELÉCTRICA

**ADVERTENCIA LEA TODAS LAS ADVERTENCIAS E INSTRUCCIONES DE SEGURIDAD.** Si no sigue todas las advertencias e instrucciones, se pueden provocar una descarga eléctrica, un incendio o lesiones graves.

**Guarde todas las advertencias e instrucciones para consultarlas en el futuro.** El término "herramienta eléctrica" en todas las advertencias incluidas más abajo se refiere a su herramienta operada por conexión (cable) a la red eléctrica o por medio de una batería (inalámbrica).

### SEGURIDAD EN EL ÁREA DE TRABAJO

- Mantenga limpia y bien iluminada el área de trabajo. Las áreas desordenadas u oscuras contribuyen a que se produzcan accidentes.
- No utilice herramientas eléctricas en atmósferas explosivas, como en la presencia de líquidos, gases o polvo inflamables. Las herramientas eléctricas crean chispas que pueden incendiar el polvo o las emanaciones.
- Mantenga a los niños y otras personas alejadas mientras utiliza una herramienta eléctrica. Las distracciones pueden hacerle perder el control.

### SEGURIDAD ELÉCTRICA

- Los enchufes de las herramientas eléctricas deben ser del mismo tipo que el tomacorrientes. Nunca realice ningún tipo de modificación en el enchufe. No use enchufes adaptadores con herramientas eléctricas con conexión a tierra. Se reducirá el riesgo de descarga eléctrica si no se modifican los enchufes y los tomacorrientes son del mismo tipo.
- Evite el contacto corporal con superficies con conexión a tierra, como tuberías, radiadores, estufas y refrigeradores. El riesgo de descarga eléctrica aumenta si su cuerpo está conectado a tierra.
- No exponga las herramientas eléctricas a la lluvia o a condiciones de humedad. El agua que entra en una herramienta eléctrica aumenta el riesgo de descarga eléctrica.
- No abuse del cable. Nunca use el cable para transportar la herramienta eléctrica, tirar de ella o desenchufarla. Mantenga el cable alejado del calor, los bordes afilados o las piezas en movimiento. Los cables dañados o enmarañados aumentan el riesgo de descarga eléctrica.
- Cuando se utiliza una herramienta eléctrica en el exterior, use una extensión que sea apropiada para uso en el exterior. El uso de un cable apropiado para el exterior reduce el riesgo de descarga eléctrica.
- Si debe operar una herramienta eléctrica en un lugar húmedo, utilice un suministro protegido por un dispositivo de corriente residual (RCD). Usar un RCD reduce el riesgo de que se produzcan descargas eléctricas.

### SEGURIDAD PERSONAL

- Manténgase alerta, ponga cuidado a lo que está haciendo y use el sentido común cuando utilice una herramienta eléctrica. No use una herramienta eléctrica cuando está cansado o bajo la influencia de drogas, alcohol o medicación.

Despistarse un minuto cuando se utiliza una herramienta eléctrica puede tener como resultado lesiones personales graves.

- Use un equipo de protección personal. Lleve siempre protección ocular. Llevar un equipo de protección apropiado para la situación, como una máscara antipolvo, zapatos de seguridad antideslizantes, un casco o protección auditiva, reducirá las lesiones personales.
- Evite el encendido accidental. Asegúrese de que el interruptor esté en la posición de apagado antes de conectarlo a la toma de alimentación o a la batería, al levantar o mover la herramienta. Mover herramientas con el dedo en el interruptor o enchufarlas con el interruptor en la posición de encendido contribuye a que se produzcan accidentes.
- Quite todas las llaves de ajuste antes de encender la herramienta. Una llave que esté acoplada a una pieza giratoria de la herramienta puede provocar lesiones personales.
- No se estire demasiado. Mantenga los pies bien asentados y el equilibrio en todo momento. Esto permite tener mejor control de la herramienta eléctrica en situaciones inesperadas.
- Vístase de manera apropiada. No lleve ropa suelta ni joyas. Mantenga el cabello, la ropa y los guantes lejos de las piezas en movimiento. La ropa floja, las joyas o el cabello largo pueden quedar atrapados en las piezas en movimiento.
- Si se proporcionan dispositivos para la conexión de sistemas de recolección y extracción de polvo, asegúrese de que estén conectados y se usen apropiadamente. El uso de estos dispositivos puede reducir los peligros relacionados con el polvo.

### USO Y CUIDADO DE LAS HERRAMIENTAS ELÉCTRICAS

- No fuerce la herramienta eléctrica. Use la herramienta eléctrica correcta para la aplicación. La herramienta eléctrica correcta funcionará mejor y de manera más segura a la velocidad para la que se diseñó.
- No use la herramienta eléctrica si el interruptor no la enciende ni la apaga. Cualquier herramienta eléctrica que no se pueda controlar con el interruptor es peligrosa y se debe reparar.
- Desconecte el enchufe de la toma de alimentación y/o la batería de la herramienta eléctrica antes de realizar cualquier ajuste, cambiar accesorios o almacenar las herramientas eléctricas. Dichas medidas preventivas de seguridad reducen el riesgo de que la herramienta se prenda accidentalmente.

- **Almacene las herramientas eléctricas fuera del alcance de los niños y no permita que personas no familiarizadas con ellas o estas instrucciones las utilicen.** Las herramientas eléctricas son peligrosas en las manos de usuarios no capacitados.
- **Mantenimiento de las herramientas eléctricas.** Revise que no haya piezas móviles que estén desalineadas o que se atasquen, piezas rotas ni ninguna otra condición que pueda afectar el funcionamiento de la herramienta eléctrica. Si se encuentran daños, haga que le reparen la herramienta antes de usarla. Las herramientas mal mantenidas son la causa de muchos accidentes.
- **Mantenga las herramientas de corte limpias y afiladas.** Es menos probable que se atasquen las herramientas de corte con filos afilados que se mantienen de manera apropiada y también son más fáciles de controlar.
- **Use la herramienta eléctrica, los accesorios, las brocas, etc. siguiendo estas instrucciones, teniendo en cuenta las condiciones de trabajo y la tarea que se va a realizar.** El uso de la herramienta eléctrica para operaciones diferentes de aquellas para las que se diseñó podría originar una situación peligrosa.

### USO Y CUIDADO DE LAS HERRAMIENTAS CON BATERÍA

- **Recárguela solamente con el cargador especificado por el fabricante.** Un cargador que sea apropiado para un tipo de batería puede crear riesgo de incendio cuando se use con otra batería.
- **Use las herramientas eléctricas solamente con baterías específicamente diseñadas.** El uso de cualquier otro tipo de batería puede crear riesgo de lesiones o incendio.
- **Cuando no se use la batería manténgala alejada de otros objetos de metal como clips para papel, monedas, llaves, clavos, tornillos u otros objetos de metal pequeños que puedan realizar una conexión entre los bornes.** Realizar un cortocircuito en los terminales de la batería puede provocar quemaduras o un incendio.
- **Bajo condiciones abusivas, puede salir líquido expulsado de la batería; evitar el contacto.** Si se produce un contacto accidental, lavar con agua. Si el líquido entra en contacto con los ojos buscar ayuda médica adicional. El líquido que sale despedido de la batería puede causar irritaciones o quemaduras.

### MANTENIMIENTO

- **Haga que un técnico calificado realice el mantenimiento de la herramienta eléctrica utilizando solamente piezas de repuesto idénticas.** Esto asegurará que se mantiene la seguridad de la herramienta eléctrica.

### REGLAS ESPECÍFICAS DE SEGURIDAD

- **Advertencias de seguridad comunes para operaciones de rectificado, lijado, cepillado con alambre o corte abrasivo:**
- **Esta herramienta eléctrica está diseñada para funcionar como rectificadora, lijadora, cepillo**

de alambre o herramienta de corte. Lea todas las advertencias, instrucciones e ilustraciones de seguridad y las especificaciones provistas con esta herramienta eléctrica. El incumplimiento de cada una de las instrucciones que se enumeran a continuación podría provocar una descarga eléctrica, incendio y/o lesiones graves.

- **No se recomienda la realización de operaciones como pulido con esta herramienta eléctrica.** Las operaciones para las que no se diseñó esta herramienta eléctrica pueden crear un riesgo y causar lesiones personales.
- **No use accesorios que no estén específicamente diseñados y recomendados por el fabricante de la herramienta.** No es suficiente con que el accesorio pueda acoplarse a la herramienta para garantizar una operación segura.
- **La velocidad nominal del accesorio debe ser al menos equivalente a la velocidad máxima marcada en la herramienta eléctrica.** Los accesorios que operan a una velocidad mayor que su VELOCIDAD NOMINAL pueden quebrarse y lanzar piezas al aire.
- **El diámetro exterior y el grosor de su accesorio deben estar dentro de la clasificación de capacidad de su herramienta eléctrica.** Los accesorios de tamaño incorrecto no pueden resguardarse o controlarse correctamente.
- **El tamaño del eje de los discos, bridas, soportes y cualquier otro accesorio debe encajar correctamente en el husillo de la herramienta eléctrica.** Los accesorios que tengan orificios de eje que no coincidan con la tornillería de montaje de la herramienta eléctrica se desbalancearán, vibrarán excesivamente y pueden ocasionar pérdida de control.
- **No utilice un accesorio dañado.** Antes de cada uso, inspeccione el accesorio, por ejemplo, el disco abrasivo para detectar desportilladuras y grietas, el soporte para detectar grietas y desgastes excesivos, el cepillo de alambre para detectar alambres sueltos o quebrados. Si la herramienta eléctrica o el accesorio cae al suelo, inspecciónelo para detectar daños o instale un accesorio sin daños. Después de inspeccionar e instalar un accesorio, tanto usted como los espectadores deben colocarse alejados del plano del accesorio giratorio y hacer operar la herramienta eléctrica a la máxima velocidad sin carga durante un minuto. Los accesorios dañados normalmente se romperán durante este tiempo de prueba.
- **Utilice equipo de protección personal.** Dependiendo de la aplicación, utilice una careta, gafas o lentes de seguridad. Según corresponda, utilice mascarilla para polvo, protectores auditivos, guantes y mandil de taller capaz de detener pequeños fragmentos abrasivos o de la pieza de trabajo. La protección ocular debe ser capaz de detener residuos voladores generados por las distintas operaciones. La protección ocular debe ser capaz de detener residuos voladores generados por las distintas operaciones. La mascarilla para polvo o el respirador debe ser capaz de filtrar partículas generadas por su operación. La exposición prolongada

al ruido de alta intensidad puede ocasionar pérdida auditiva.

- **Mantenga los espectadores a una distancia segura del área de trabajo.** Toda persona que entre al área de trabajo debe utilizar equipo de protección personal. Los fragmentos de la pieza de trabajo o de un accesorio roto pueden salir volando y causar lesiones más allá del área inmediata de operación.
  - **Al realizar una operación donde el accesorio de corte pueda entrar en contacto con cableado oculto, sostenga la herramienta eléctrica únicamente de las superficies de empuñadura aisladas.** El contacto del accesorio de corte con un cable que conduzca electricidad puede hacer que las partes metálicas de la herramienta se electrifiquen y podría ocasionar una descarga eléctrica al operador.
  - **Posicione el cable de manera que no interfiera con el accesorio giratorio.** Si pierde el control, el cable puede cortarse o engancharse y el brazo o la mano pueden ser jalados hacia el accesorio giratorio.
  - **Nunca coloque la herramienta eléctrica sobre una superficie hasta que el accesorio se haya detenido por completo.** El accesorio giratorio puede agarrar la superficie y jalar la herramienta eléctrica, quitándole el control.
  - **No opere la herramienta eléctrica mientras la carga a su costado.** El contacto accidental con el accesorio giratorio podría ocasionar que su ropa se enganchara, jalando el accesorio hacia su cuerpo.
  - **Limpie periódicamente las rejillas de ventilación de la herramienta eléctrica.** El ventilador del motor atraerá el polvo hacia el interior de la carcasa y la acumulación excesiva de metal en polvo puede causar riesgos eléctricos.
  - **No opere la herramienta eléctrica cerca de materiales inflamables.** Las chispas podrían incendiar estos materiales.
  - **No utilice accesorios que requieran enfriadores líquidos.** Utilizar agua u otros enfriadores líquidos puede ocasionar electrocución o descarga eléctrica.
- NOTA** Esta advertencia no aplica a las herramientas eléctricas diseñadas específicamente para utilizarse con un sistema líquido.
- Contragolpe y advertencias relacionadas**  
El contragolpe es una reacción repentina a un disco giratorio, soporte, cepillo o cualquier otro accesorio que se atora o engancha. Los atorones o enganchamientos ocasionan el paro rápido del accesorio giratorio, lo que a su vez ocasiona que la herramienta eléctrica sin control sea forzada en dirección contraria a la rotación del accesorio en el punto de unión.  
Por ejemplo, si un disco abrasivo se atora o engancha con la pieza de trabajo, el borde del disco que está entrando en el punto de agarre puede enterrarse en la superficie del material, ocasionando que el disco se salga o se bote. El disco puede saltar hacia el operador o en dirección contraria, dependiendo de la dirección del movimiento del disco en el momento del contacto. Los

discos abrasivos también pueden quebrarse bajo estas condiciones.

- El contragolpe es el resultado del uso incorrecto de la herramienta eléctrica y/o de procedimientos o condiciones de operación incorrectos y puede evitarse tomando las precauciones correspondientes que se indican a continuación.
- **Mantenga un agarre firme de la herramienta eléctrica y posicione su cuerpo y su brazo para permitirle resistir las fuerzas del contragolpe.** Siempre utilice una empuñadura auxiliar, si se proporciona, para máximo control sobre el contragolpe o la reacción de torque durante el arranque. El operador puede controlar las acciones de torque o las fuerzas de contragolpe si se toman las precauciones correspondientes.
- **Nunca coloque su mano cerca del accesorio giratorio.** El accesorio puede golpearle la mano con el contragolpe.
- **No coloque su cuerpo en el área hacia donde se moverá la herramienta eléctrica en caso de que ocurra contragolpe.** El contragolpe impulsará la herramienta en la dirección contraria al movimiento del disco en el punto de enganchamiento.
- **Ponga especial cuidado al trabajar en esquinas, bordes afilados, etc.** Evite hacer rebotar y enganchar el accesorio. Las esquinas, los bordes afilados o el rebote tienen una tendencia a ocasionar enganchamientos del accesorio giratorio y ocasionar pérdida de control o contragolpe.
- **No coloque una hoja de cadena para tallar madera ni una hoja de sierra dentada.** Estas hojas generan contragolpes frecuentes y pérdida de control.

**Advertencias de seguridad específicas para operaciones de rectificado y corte abrasivo:**

- **Utilice únicamente los tipos de discos que se recomiendan para su herramienta eléctrica y la guarda específica diseñada para el disco seleccionado.** Los discos para los cuales no se diseñó la herramienta eléctrica no pueden resguardarse adecuadamente y son inseguros.
- **La guarda debe colocarse firmemente en la herramienta eléctrica y posicionarse para máxima seguridad, de manera que la mínima cantidad de disco quede expuesta hacia el operador.** La guarda ayuda a proteger al operador de fragmentos rotos de disco y de contacto accidental con el disco y chispas que podrían incendiar la ropa.
- **NOTA** Esta advertencia puede omitirse para rectificadoras o rectificadoras de corte con capacidad nominal de menos de 55 mm.
- **Los discos deben usarse únicamente para las aplicaciones recomendadas. Por ejemplo: no rectifique con el costado del disco para corte.** Los discos de corte abrasivo tienen por objeto utilizarse en rectificado periférico. Si se aplican fuerzas laterales a estos discos, pueden ocasionar quebradura.
- **Siempre utilice bridas de discos sin daños que sean del tamaño y forma correctos para el disco seleccionado.** Las bridas de disco

correctas proveen soporte al disco, reduciendo así la posibilidad de quebradura del mismo. Las bridas de los discos de corte pueden ser diferentes de las vidas de los discos de rectificador.

• **No utilice discos desgastados de herramientas eléctricas más grandes.** Los discos diseñados para herramientas eléctricas más grandes no son adecuados para la mayor velocidad de una herramienta de menor tamaño y pueden explotar.

**Advertencias de seguridad específicas adicionales para operaciones de corte abrasivo:**

• **No inserte a la fuerza el disco de corte ni aplique presión excesiva. No intente hacer una profundidad de corte excesiva.** Aplicar un exceso de presión al disco aumenta la carga y la susceptibilidad de que el disco se tuerza o se trabe en el corte y la posibilidad de contragolpe o ruptura del disco.

• **No posicione su cuerpo en línea con el disco giratorio ni detrás del mismo.** Cuando el disco, en el punto de operación, se esté alejando de su cuerpo, el posible contragolpe puede impulsar el disco giratorio y la herramienta eléctrica directamente hacia usted.

• **Cuando el disco se esté amarrando o cuando se interrumpa un corte por cualquier motivo, apague la herramienta eléctrica y sosténgala inmóvil hasta que el disco se detenga por completo. Nunca intente retirar el disco del corte mientras aún esté en movimiento, pues puede ocurrir contragolpe.** Investigue y siga una acción correctiva para eliminar la causa del amarre del disco.

• **No reinicie la operación de corte dentro la pieza de trabajo. Deje que el disco alcance la velocidad total y cuidadosamente vuelva a introducirlo al corte.** El disco puede amarrarse, irse hacia arriba o generar contragolpe si la herramienta eléctrica se reinicia dentro de la pieza de trabajo.

• **Provea soporte para los paneles o cualquier pieza de trabajo de gran tamaño para minimizar el riesgo de pellizcamiento y contragolpe del disco.** Las piezas de trabajo grandes tienden a pandearse con su propio peso. Deben colocarse soportes debajo de la pieza de trabajo, cerca de la línea de corte y cerca del borde de la pieza de trabajo a ambos lados del disco.

• **Use precaución adicional al hacer un "corte de bolsillo" en muros existentes u otras áreas donde no haya visibilidad.** El disco saliente puede cortar líneas de gas o agua, cables eléctricos u otros objetos, lo que puede genera contragolpe.

**Advertencias de seguridad específicas para operaciones de lijado:**

• **No utilice lijas excesivamente grandes para los discos de lijado. Siga las recomendaciones del fabricante al seleccionar la lija.** El papel lija más grande que se extiende más allá

del soporte de lijado representa un riesgo de laceración y puede causar atorones, desgarre del disco o contragolpe.

**Advertencias de seguridad específicas para operaciones de cepillado con alambre:**

• **Tenga en cuenta que las cerdas de alambre se desprenden del cepillo incluso durante la operación ordinaria. No aplique presión excesiva a los alambres aplicando demasiada carga al cepillo.** Las cerdas de alambre pueden penetrar fácilmente la ropa ligera y/o la piel.

• **Si se recomienda el uso de una guarda para el cepillado con alambre, no permita que haya ninguna interferencia del disco o cepillo de alambre con la guarda.** El diámetro del disco o cepillo de alambre puede expandirse debido a la carga de trabajo y las fuerzas centrífugas.

**Advertencias de seguridad adicionales**

• **Mantenga las etiquetas y las placas identificativas.** Tienen información importante. Si no se pueden leer o si faltan, póngase en contacto con un centro de servicio MILWAUKEE para obtener un repuesto gratuito.

• **ADVERTENCIA:** Algunas partículas de polvo resultantes del lijado mecánico, aserrado, esmerilado, taladrado y otras actividades relacionadas a la construcción, contienen sustancias químicas que se saben ocasionan cáncer, defectos congénitos u otros daños al aparato reproductivo. A continuación se citan algunos ejemplos de tales sustancias químicas:

- plomo proveniente de pinturas con base de plomo
- sílice cristalina proveniente de ladrillos, cemento y otros productos de albañilería y
- arsénico y cromo provenientes de madera químicamente tratada.

El riesgo que usted sufre debido a la exposición varía dependiendo de la frecuencia con la que usted realiza estas tareas. Para reducir la exposición a estas sustancias químicas: trabaje en un área bien ventilada, y utilice equipo de seguridad aprobado como, por ejemplo, máscaras contra el polvo que hayan sido específicamente diseñadas para filtrar partículas microscópicas.

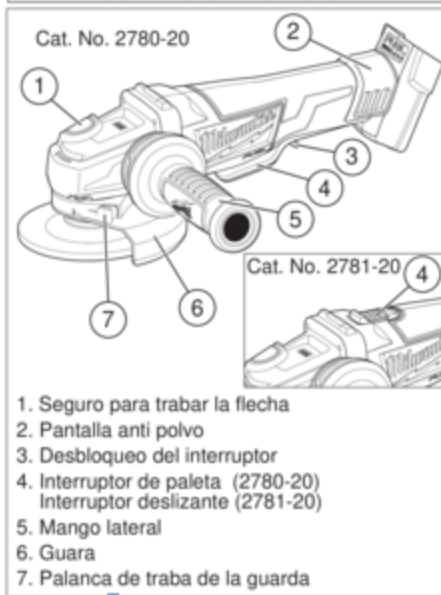
### SIMBOLOGÍA

	Volts
	Corriente directa
$n \text{ XXXXmin.}^{-1}$	Revoluciones por minuto (RPM)
	Underwriters Laboratories, Inc. Estados Unidos y Canadá

### ESPECIFICACIONES

Cat. No.	Volts c.d.	RPM	Tamaño de Flecha	Máximo Tamaño del Disco	Tamaño del Disco
2780-20	18	8 500	5/8"-11	127 mm (5")	Paleta
2781-20	18	8 500	5/8"-11	127 mm (5")	Deslizante

### DESCRIPCION FUNCIONAL



1. Seguro para trabar la flecha
2. Pantalla anti polvo
3. Desbloqueo del interruptor
4. Interruptor de paleta (2780-20)  
Interruptor deslizante (2781-20)
5. Mango lateral
6. Guara
7. Palanca de traba de la guarda

### ENSAMBLAJE

**ADVERTENCIA** Recargue la batería sólo con el cargador especificado para ella. Para instrucciones específicas sobre cómo cargar, lea el manual del operador suministrado con su cargador y la batería.

**Como se inserta/quita la batería en la herramienta**

Para retirar la batería, presione los botones de liberación y jale de la batería para sacarla de la herramienta.

Para introducir la batería, deslícela en el cuerpo de la herramienta. Asegúrese de que quede bien firme en su posición.

**ADVERTENCIA** Para reducir el riesgo de lesiones, extraiga siempre la batería antes de acoplar o desacoplar accesorios. Utilice únicamente accesorios específicamente recomendados para esta herramienta. El uso de accesorios no recomendados podría resultar peligroso.

**ADVERTENCIA** Para reducir el riesgo de lesiones, use siempre lentes de seguridad o anteojos con protectores laterales.

### Instalación/remoción/limpieza de la pantalla anti polvo

El uso de la pantalla anti polvo aumentará el desempeño y extenderá la vida de la herramienta.

1. Para instalar la pantalla anti polvo, colóquela a presión sobre la empuñadura de la herramienta.
2. Para quitar la pantalla anti polvo, inserte un destornillador de paleta en la ranura en la parte superior de la pantalla anti polvo y haga palanca en dirección contraria a la herramienta.
3. Para limpiar la pantalla anti polvo, golpéea ligeramente contra una superficie dura o use aire comprimido para limpiar.

### Instalación del mango lateral

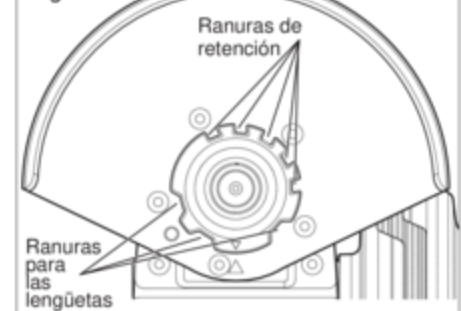
El mango lateral puede instalarse en ambos lados de la caja de engranajes. Colóquelo del lado que le ofrezca mejor control y protección. Para montarlo, simplemente enrosque el mango en el orificio del lado deseado y apriételo firmemente.

**ADVERTENCIA** Para reducir el riesgo de lesión:

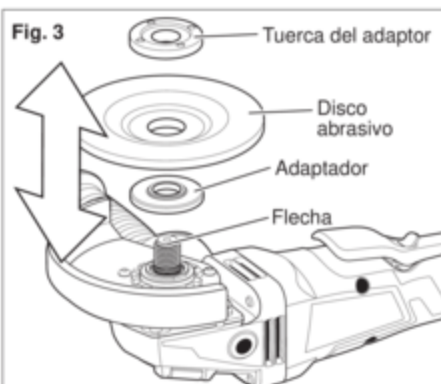
- SIEMPRE instale la guarda de protección.
- SIEMPRE verifique que esté bien instalada.
- SIEMPRE tome la esmeriladora firmemente con las dos manos antes de iniciar el esmerilado.
- NUNCA use un disco abrasivo que haya sido golpeado.
- NUNCA golpee el abrasivo contra la superficie de trabajo.
- NUNCA esmerile sin tener el equipo de seguridad adecuado.

**Instalación, extracción y ajuste del protector**  
Esta herramienta se envía con una guarda. Se debe usar el protector cuando se use la herramienta como esmeriladora. Cuando se use como lijadora, se debe quitar.

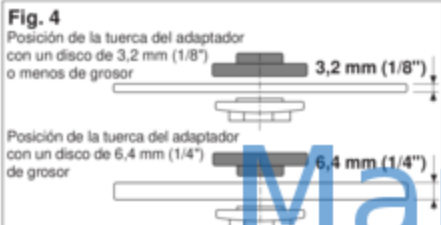
Fig. 1



1. Para **quitar** el protector, retire la batería y quitar todos los accesorios del vástago.
2. Presionar la palanca de traba y girar el protector para alinear las lengüetas con las ranuras, como se muestra.
3. Presionar la palanca de traba y levantar el protector, alejándolo de la herramienta.
4. Para **instalar** el protector, retire la batería y quitar todos los accesorios del vástago.  
NOTA: Utilice únicamente muelas rectificadoras de 114 mm (4-1/2") con guardas de 114 mm (4-1/2") (disponibles como accesorio). Use únicamente muelas rectificadoras de 127 mm (5") con guardas de 127 mm (5").
5. Alinear las lengüetas con las ranuras, como se muestra.
6. Presionar la palanca de traba y presionar el protector hacia abajo, contra la herramienta.
7. Para **ajustar** el protector, presionar la palanca de traba y girar el protector a una de las cinco ranuras de retención.



5. Coloque el disco seleccionado en el vástago y alinéelo con la brida.
6. Ubique la tuerca de brida sobre el vástago según el espesor del disco (Fig. 4).



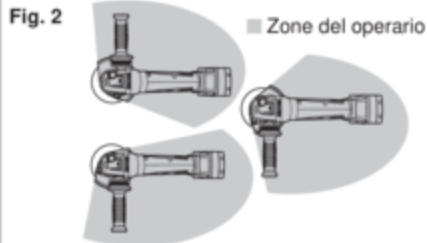
7. Presione el botón de bloqueo del vástago mientras gira la tuerca de brida hacia la derecha. Apriete firmemente con una llave de gancho.
8. Para sacar el disco, retire la batería e invierta el proceso.

**ADVERTENCIA** Utilice solamente los discos con una velocidad máxima para una operación segura, mayores que las R.P.M. indicadas en la placa de especificaciones de la herramienta. Esta velocidad se basa en la resistencia del disco y permite una medida de seguridad razonable. Esto no implica que esta velocidad sea mejor u óptima. No exceda la velocidad máxima para una operación segura.

#### Instalación de discos abrasivos

Asegúrese de que la muela abrasiva no se extienda más allá de la parte inferior de la guarda. Las muelas abrasivas con eje roscado pueden requerir una guarda más larga (consulte "Accesorios").

1. Retire la batería.
2. Ubique adecuadamente la protección (Fig. 2).



3. Pase un trapo a la brida, a la tuerca de la brida y al vástago para sacar todo el polvo y los desechos. Inspeccione las partes para ver si están dañadas. Reemplácelas si es necesario.
4. Coloque la brida en el vástago (Fig. 3).

### OPERACIÓN

**ADVERTENCIA** Para reducir el riesgo de lesiones, extraiga siempre la batería antes de acoplar o desacoplar accesorios. Utilice únicamente accesorios específicamente recomendados para esta herramienta. El uso de accesorios no recomendados podría resultar peligroso.

**ADVERTENCIA** Para reducir el riesgo de lesiones, use siempre lentes de seguridad o anteojos con protectores laterales.

#### Arranque controlado

La característica de arranque controlado reduce el "tirón" de reacción del par de fuerza cuando se tira del gatillo.

#### Funcionamiento del interruptor de paleta (2780-20)

Para **encender** la herramienta, sujete el mango y el mango lateral firmemente. Presione el botón de desbloqueo y apriete el interruptor de paleta. Para **detener** la herramienta, suelte el interruptor de paleta. Asegúrese de que la herramienta se detenga por completo antes de soltarla.

#### Funcionamiento del interruptor deslizante (2781-20)

Para **encender** la herramienta, sujete el mango y el mango lateral firmemente y deslice el interruptor hasta la posición ENCENDIDO.

Para **parar** la herramienta, suelte el interruptor. Asegúrese de que la herramienta se detenga por completo antes de soltarla.

Para **bloquear** el interruptor en la posición encendido, deslice el interruptor hasta la posición ENCENDIDO y luego presione hacia abajo en la parte delantera del interruptor. Para parar la herramienta, presione y suelte el interruptor. Asegúrese de que la herramienta se detenga por completo antes de soltarla.

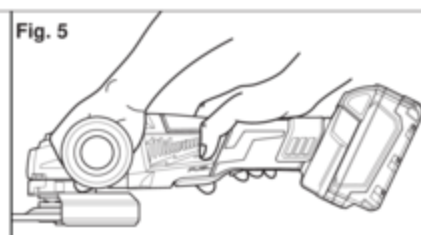
#### Funcionamiento general

1. Si usted acaba de instalar un disco abrasivo o está por empezar un trabajo, pruebe el disco dejándolo que gire por un minuto antes de aplicarlo sobre la superficie. Cuando los discos están desbalanceados, pueden dañar el material, la herramienta y causar fatiga al disco y provocar que este falle.
2. Utilice un broche, una prensa de tornillo o cualquier otro medio práctico para sujetar su trabajo, liberando así ambas manos para controlar la herramienta.
3. Sujete la herramienta de manera segura con ambas manos.
4. Encienda la herramienta.
5. Permita que el disco alcance su máxima velocidad antes de iniciar el esmerilado.
6. Controle la presión y el contacto entre la superficie y el disco. Una presión excesiva disminuye la velocidad del disco.  
Si la herramienta se detiene, suelte el gatillo para reajustarla. Disminuya la presión para evitar que se detenga.
7. Cuando haya terminado, apague la herramienta y asegúrese de que se detenga por completo antes de soltarla.

### USANDO DISCOS DE CORTE

**ADVERTENCIA** Se debe instalar una gura tipo 1 cuando utilice un disco cortador para proporcionar una máxima protección para el operador en caso que el disco se rompa.

Los discos reforzados Tipo 1 son ideales para operaciones de corte y de acanalado solamente. Cuando use discos de corte, sostenga su esmeriladora tal como se ilustra, usando solo la orilla del disco.



**ADVERTENCIA** Si se usa la cara de un disco de corte (como si se esmerilara), se podrá causar fracturas al mismo y podrá llegar a romperse, resultando en serias lesiones al operario.

### USO DE LOS DISCOS ABRASIVOS

**ADVERTENCIA** Para reducir el riesgo de lesión, deberá instruirse al operario en el uso, cuidados y protección de los discos abrasivos.

#### Selección de Ruedas Abrasivas

Use ruedas abrasivas que sean:

- del tamaño correcto como lo indica la placa de la herramienta.
- el tipo de disco correcto así como el grano adecuado para el trabajo.
- que esté marcado para operarse a las mismas o mas de las RPM como lo indica la placa de la herramienta.

Esmerilar es la acción de cortar con miles de granos abrasivos que se encuentran en la cara de un disco o de una piedra abrasiva. Cuando esmerile metales como acero y hierro, seleccione un abrasivo de óxido de aluminio. Cuando esmerile piedra o concreto, utilice uno de carburo de silicio. Utilice discos reforzados con algodón para metales no ferrosos. Los discos reforzados Tipo 27 de 3,2 mm (1/8") o menos son ideales para operaciones de corte y de acanalado solamente.

Siempre maneje los abrasivos con cuidado para evitar dañarlos. Antes de instalarlos revise sin no tienen grietas o cuarteaduras. Si están dañados, deséchelos para evitar que otras personas los usen.

#### Cuidado de las Ruedas Abrasivas

Las ruedas abrasivas deben protegerse de:

- humedad y humedad extrema.
- cualquier tipo de solvente.
- cambios extremos de temperatura.
- caídas y golpes.

Las piedras abrasivas deben guardarse: en una forma organizada de forma tal que puedan tomarse, sin dañar, otras piedras abrasivas.

con su información de seguridad.

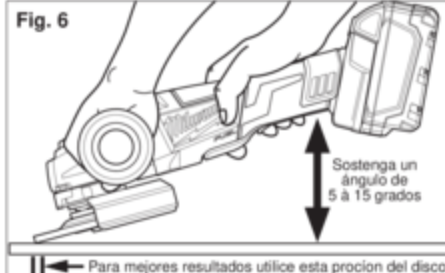
Las piedras abrasivas NO deben:

- dejarse caer.
- rodarse.
- golpearse.

Si un abrasivo cae, se rueda o se golpea, o se somete a cambios extremos de temperatura, o ha estado en contacto con solventes o humedad, deséchelo de inmediato.

### Esmerilando

Cuando esmerile, mantenga la unidad en un ángulo de entre 5 y 15 grados, como se ilustra, usando una presión constante para un terminado uniforme. Un ángulo excesivo provoca concentración de presión en áreas pequeñas lo que se traduce en daños al material o quemaduras en la superficie del trabajo.



### USO DE LOS CEPILLOS DE ALAMBRE

**⚠️ ADVERTENCIA** Todas las personas en el área de trabajo deberán usar lentes de seguridad y ropa de protección o en su caso, caretas de seguridad. Lo anterior es debido a que habrá partículas del alambre y residuos del mismo que, por fatiga del material, se desprenderán del cepillo a una fuerza considerable.

Los cepillos son útiles para remover óxidos, polvos, exceso de soldadura, etc. Existe una amplia variedad de ellos para muchas aplicaciones. Instale siempre los cepillos de alambre de copa según las instrucciones del fabricante del accesorio.



**⚠️ ADVERTENCIA** Nunca exceda la velocidad máxima de operación del cepillo. No use cepillos dañados o que funcionen inadecuadamente (que lancen partículas o estén desbalanceados, etc.) Estas condiciones aumentan el riesgo de una falla posterior mayor y una posible lesión. Descarte y reemplace inmediatamente los cepillos dañados.

Al utilizar un cepillo de alambre de copa, instale la guarda como se indica en la sección "Instalación/extracción de accesorios".



Pruebe un cepillo de alambre para observar su balance y fibras dañadas, haciéndolo trabajar libremente por lo menos un minuto antes de iniciar el trabajo. Durante este tiempo, no permita que haya personas cerca de la herramienta. Cuando opere el cepillo, no aplique mucha presión ya que si lo hace, las cerdas se doblarán en exceso, se creará excesivo calor y se tendrá como resultado de ello, roturas prematuras de fibras o cerdas y una corta vida del cepillo. En lugar de aplicar mas presión, pruebe un cepillo que tenga una capacidad de corte mas agresiva (sea por mayor calibre del alambre, cerdas mas cortas o un tipo de cepillo diferente, por ejemplo, un cepillo anudado en lugar de uno con alambre rizado).

**⚠️ ADVERTENCIA** Nunca exceda la velocidad máxima de operación del cepillo. No use cepillos dañados o que funcionen inadecuadamente (que lancen partículas o estén desbalanceados, etc.) Estas condiciones aumentan el riesgo de una falla posterior mayor y una posible lesión. Descarte y reemplace inmediatamente los cepillos dañados.

### USO DE LOS DISCOS DE LIJA

#### Selección del Disco de Lija

Use discos de lija que sean:

- del tamaño correcto como lo indica la placa de la herramienta.
- el tipo de disco correcto así como el grano adecuado para el trabajo.
- que esté marcado para operarse a las mismas o mas de las RPM en la sección de "ADVERTENCIA" de la placa de especificaciones de la herramienta.

Utilice como referencia la tabla que a continuación se presenta para seleccionar el disco. Generalmente use grano 24 o 36 para remociones fuertes de metal; granos 50, 60 o 80 para remociones medias y grano 120 para acabados. Empiece siempre con un grano burdo, usando posteriormente granos mas finos para obtener el acabado deseado. Vea Catalogue para una lista completa de los discos para lijado MILWAUKEE.

#### Discos de Oxido de aluminio

Para desbaste rápido y aplicaciones generales en la mayoría de las operaciones en metal. Ideal para acero rolado en frio, acero inoxidable o metales que requieran abrasivos de larga vida, desbaste rápido y rudo.

#### Discos de Sircónes de aluminio

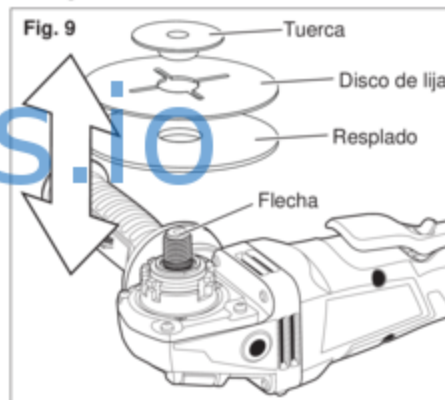
Su diseño especial de grano permite remover rápidamente el material. Ideal para operaciones sobre pintura de autos, lanchas, etc. sin que se obstruyan.

#### Discos de cerámica

Ideales para aplicaciones generales en metal porque duran hasta tres veces el tiempo de los discos de óxido de aluminio.

#### Instalación de respaldos y discos de lija

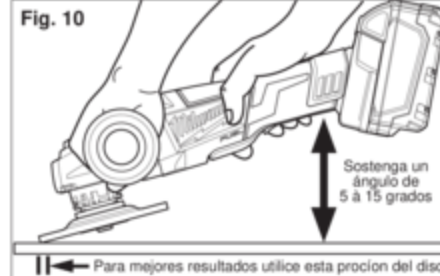
1. Retire la batería.
2. Pase un trapo a los accesorios, a la tuerca del disco y al vástagos para sacar todo el polvo y los desechos.
3. Coloque el respaldo en la flecha de forma que la superficie plana quede alejada de la caja de engranes.
4. Coloque el disco abrasivo en el respaldo y asegúrelo a la flecha con la tuerca.



5. Para apretarlo, presione el seguro que trabará la flecha al tiempo que gira el disco en dirección de las manecillas de un reloj, con la llave que se incluye como equipo.
6. Para desmontar el respaldo y el disco abrasivo, retire la batería y haga el procedimiento a la inversa.

#### Lijado

Cuando esmerile, mantenga la unidad en un ángulo de entre 5 y 15 grados, como se ilustra, usando una presión constante para un terminado uniforme. Un ángulo excesivo provoca concentración de presión en áreas pequeñas lo que se traduce en daños al material o quemaduras en la superficie del trabajo. Lije con movimientos largos y rítmicos, de lado a lado del material, con avances hacia adelante para producir el acabado deseado.



#### Lijado cruzado

Cuando vaya a darle el acabado a una superficie que ha sido preparada por un disco de lija de grano grueso o disco abrasivo, lije en ángulos rectos las marcas que le haya hecho el abrasivo anterior. Las marcas que deja el disco anterior son fácilmente visibles y se pueden quitar con un acabado uniforme. Si no se hace este lijado cruzado cuando se pasa de un abrasivo grueso al abrasivo para acabado puede resultar en marcas profundas y circulares.

#### Remocion De Soldadura o Marcas De Martillos

Para esta operación, limite el lijado a las superficies inmediatas. Utilice posteriormente granos finos para emparejar la superficie.

#### Acabado en metal

Muévase constantemente a través de la superficie. Trabaje mas rápidamente en las superficies curvas, en donde las áreas de contacto son menores y la presión es mayor. Al final de la pasada pueden aparecer marcas planas, cuando la presión es muy alta. Reduzca la presión al final de cada pasada y cuando haga pasadas en reversa.

#### Solución a los problemas

Las marcas profundas y circulares pueden deberse a:

- Usar un grano muy grueso
  - Usar un disco parcialmente cristalizado
  - Polvo o rebabas sueltas en el material a lijar
  - No haber lijado en forma cruzada, a través del grano, cuando se cambió de un abrasivo con grano grueso a un disco para acabados.
  - Por no haber usado un disco mas cerrado para reducir el problema de partículas del abrasivo suelto sobre la superficie a trabajar.
- Cuando la superficie del metal se pone azulosa, esto indica:
- Que se ha causado un calor excesivo por movimientos circulares en áreas muy pequeñas.
  - Presión excesiva
  - Por usar discos gastados o cristalizados.

## MANTENIMIENTO

**ADVERTENCIA** Para reducir el riesgo de una lesión, desconecte siempre la herramienta antes de darle cualquier mantenimiento. Nunca desarme la herramienta ni trate de hacer modificaciones en el sistema eléctrico de la misma. Acuda siempre a un Centro de Servicio MILWAUKEE para TODAS las reparaciones.

### Mantenimiento de la herramienta

Adopte un programa regular de mantenimiento y mantenga sus baterías y cargador en buenas condiciones. Después de 6 meses a un año, dependiendo del uso dado, envíe su herramienta, batería y cargador, al Centro de Servicio MILWAUKEE mas cercano para que le hagan:

- Lubricación
- Inspección mecánica y limpieza (engranes, flechas, baleros, carcaza, etc.)
- Inspección eléctrica (batería, cargador, motor)
- Probaría para asegurar una adecuada operación mecánica y eléctrica

Si la herramienta no arranca u opera a toda su potencia con una batería completamente cargada, limpie, con una goma o borrador, los contactos de la batería y de la herramienta. Si aun así la herramienta no trabaja correctamente, regrésela, con el cargador y la batería, a un centro de servicio MILWAUKEE para que sea reparada.

**ADVERTENCIA** Para reducir el riesgo de una explosión, no queme nunca una batería, aun si está dañada, "muerta" o completamente descargada.

### Limpieza

Limpie el polvo y suciedad de las ventillas del cargador y la herramienta. Mantenga los mangos y empuñaduras limpios, secos y libres de aceite o grasa. Use solo jabón neutro y un trapo húmedo para limpiar la herramienta, batería y el cargador, ya que algunos substancias y solventes limpiadores son dañinos a los plásticos y partes aislantes. Algunos de estos incluyen: gasolina, turpentina, thinner, lacas, thinner para pinturas, solventes para limpieza con cloro, amoníaco y detergentes caseros que tengan amonía. Nunca usa solventes inflamables o combustibles cerca de una herramienta.

### Reparaciones

Si su herramienta, batería o cargador están dañados, envíela al centro de servicio más cercano.

## ACCESORIOS

**ADVERTENCIA** Para reducir el riesgo de lesiones, siempre extraiga la batería antes de cambiar o retirar accesorios. Utilice únicamente accesorios específicamente recomendados para esta herramienta. El uso de accesorios no recomendados podría resultar peligroso.

Para una lista completa de accesorios, refiérase a su catálogo MILWAUKEE Electric Tool o visite nuestro sitio en Internet: [www.milwaukeetool.com](http://www.milwaukeetool.com). Para obtener un catálogo, contacte su distribuidor local o uno de los centros de servicio.

## GARANTÍA LIMITADA - E.U.A. Y CANADÁ

Se garantiza al comprador original que ninguna de las herramientas eléctricas MILWAUKEE (incluido el producto inalámbrico, la herramienta y las baterías; consulte las declaraciones distintas y por separado en GARANTIA LIMITADA DEL PAQUETE DE BATERIAS INALAMBRICAS y de las luces de trabajo y del cargador de baterías) presentan defectos en material ni en mano de obra. En un plazo de cinco (5) años\* a partir de la fecha de compra y sujeto a ciertas excepciones, MILWAUKEE reparará o reemplazará cualquier parte de una herramienta eléctrica que, luego de ser examinada, MILWAUKEE compruebe que presenta defectos en material o mano de obra, a menos que se indique lo contrario. Se requiere la devolución de la herramienta eléctrica a un centro de mantenimiento de la fábrica MILWAUKEE o a un centro de reparaciones autorizado por MILWAUKEE, con gastos de envío prepagados y asegurados. La devolución del producto debe estar acompañada por un comprobante de compra. Esta garantía no se aplica a los daños que MILWAUKEE establezca que fueron ocasionados por reparaciones o intentos de reparación por parte de personal no autorizado por MILWAUKEE, uso indebido, alteraciones, abuso, desgaste y deterioro normal, falta de mantenimiento o accidentes.

\*El período de garantía de las radios para obras, del puerto de alimentación M12™, Fuente de poder M18™, y de las carretillas de trabajo industrial Trade Titan™ es de un (1) año a partir de la fecha de compra. El período de garantía de la lámpara de trabajo con diodo luminiscente y del foco mejorado con diodo luminiscente es una garantía VITALICIA limitada para el comprador original únicamente. Si durante el uso normal el foco de diodo luminiscente no funciona, la lámpara de trabajo o el foco mejorado se reemplazará sin carga.

\*Esta garantía no cubre las clavadoras aéreas, las engrapadoras, el rociador de pintura inalámbrico, el paquete de baterías inalámbrico, los generadores eléctricos portátiles que funcionan con gasolina, herramientas manuales, elevadores (eléctricos, con palanca y con cadenas manuales), camisas de calefacción M12™, productos reacondicionados y productos de prueba y medición. Se encuentran disponibles garantías distintas para estos productos.

No se necesita registro de garantía para obtener la garantía correspondiente de un producto eléctrico MILWAUKEE. La fecha de fabricación del producto se utilizará para determinar el período de garantía si no se presenta un comprobante de compra en el momento en que se solicita el servicio de garantía.

LA ACEPTACIÓN DE LOS DERECHOS A REPARACIÓN Y REEMPLAZO EXCLUSIVAMENTE DESCRITOS EN EL PRESENTE DOCUMENTO CONSTITUYE UNA CONDICIÓN DEL CONTRATO POR LA COMPRA DE CADA PRODUCTO MILWAUKEE. SI NO ACEPTA ESTA CONDICIÓN, NO DEBE COMPRAR EL PRODUCTO. MILWAUKEE NO SERÁ EN NINGÚN CASO RESPONSABLE DE DAÑOS INCIDENTALES, ESPECIALES, CONSECUENTES O PUNITIVOS, NI DE COSTOS, HONORARIOS DE ABOGADOS, GASTOS, PERDIDAS O DEMORAS SUPUESTAMENTE CAUSADOS COMO CONSECUENCIA DE CUALQUIER DAÑO, FALLA O DEFECTO EN CUALQUIER PRODUCTO, INCLUIDOS, A MODO DE EJEMPLO, RECLAMOS POR PERDIDA DE GANANCIAS. ALGUNOS ESTADOS NO PERMITEN LA EXCLUSIÓN O LA LIMITACIÓN DE DAÑOS INCIDENTALES O CONSECUENTES, POR LO TANTO, LAS LIMITACIONES Y EXCLUSIONES ANTERIORES PUEDEN NO APLICARSE PARA USTED. ESTA GARANTÍA ES EXCLUSIVA Y SUSTITUYE A TODAS LAS OTRAS GARANTÍAS EXPRESAS, ESCRITAS U ORALES, SEGUN LO PERMITA LA LEY. MILWAUKEE SE EXIME DE TODA GARANTÍA IMPLÍCITA, INCLUIDOS, A MODO DE EJEMPLO, TODA GARANTÍA IMPLÍCITA DE COMERCIABILIDAD O IDONEIDAD PARA UN USO O PROPÓSITO EN PARTICULAR; EN LA MEDIDA EN QUE DICHA RENUNCIA NO ESTE PERMITIDA POR LA LEY, DICHAS GARANTÍAS IMPLÍCITAS ESTÁN LIMITADAS A LA DURACIÓN DE LA GARANTÍA EXPRESA APLICABLE SEGUN SE DESCRIBE ANTERIORMENTE. ALGUNOS ESTADOS NO PERMITEN LIMITACIONES EN LA DURACIÓN DE UNA GARANTÍA IMPLÍCITA, POR LO TANTO, LA LIMITACIÓN ANTERIOR PUEDE NO APLICARSE PARA USTED. ESTA GARANTÍA LE OTORGA DERECHOS LEGALES ESPECIFICOS Y TAMBIEN PUEDE TENER OTROS DERECHOS QUE VARIAN DE ESTADO EN ESTADO.

Esta garantía se aplica a los productos vendidos en los EE. UU. y Canadá.

Consulte 'Service Center Search' (Búsqueda de centro de servicio) en la sección Parts & Services (Piezas y servicios) del sitio web MILWAUKEE, [www.milwaukeetool.com](http://www.milwaukeetool.com) o llame al 1.800.SAWDUST (1.800.729.3878) para encontrar su Centro de Servicio de la fábrica de MILWAUKEE más cercano.

## PÓLIZA DE GARANTÍA - VALIDA SOLO PARA MÉXICO, AMÉRICA CENTRAL Y EL CARIBE

TECHTRONIC INDUSTRIES, garantiza por 5 años este producto a partir de la fecha original de compra. Esta garantía cubre cualquier defecto que presenten las piezas, componentes y la mano de obra contenidas en este producto Para América Central y el Caribe se debe confirmar en el Centro de Servicio Autorizado el plazo de la garantía. Para hacer efectiva la Garantía deberá presentar al Centro de Servicio Autorizado la Póliza de Garantía sellada por el establecimiento en donde adquirió el producto. Si no la tienen, podrá presentar el comprobante de compra original. Usted puede llamar sin costo al teléfono 01 800 832 1949 o por correo electrónico a la dirección "servicio@tigroupna.com", para ubicar el Centro de Servicio Autorizado más cercano a su domicilio, en el cual además podrá adquirir partes, componentes, consumibles y accesorios, que usted necesite.

### Procedimiento para hacer válida la garantía

Acuda al Centro de Servicio con el producto y la póliza de garantía sellada por el establecimiento donde realizó la compra. Ahí se reemplazará cualquier pieza o componente defectuoso sin cargo alguno para el usuario final. La empresa se hace responsable de los gastos de transportación razonablemente erogados que se deriven del cumplimiento de la presente garantía.

### Excepciones

La garantía perderá validez en los siguientes casos:

- a) Cuando el producto se hubiese utilizado en condiciones distintas a las normales.
  - b) Cuando el producto no hubiese sido operado de acuerdo con el instructivo de uso que le acompaña.
  - c) Cuando el producto hubiese sido alterado o reparado por personas no autorizadas por TECHTRONIC INDUSTRIES.
- Nota: Si el cordón de alimentación es dañado, este debe ser reemplazado por el fabricante o por un Centro de Servicio Autorizado para evitar riesgo.

Modelo: \_\_\_\_\_

Fecha de Compra: \_\_\_\_\_

Sello del Distribuidor: \_\_\_\_\_

CENTRO DE SERVICIO Y ATENCIÓN A CLIENTES  
Av Presidente Mazarik 29 Piso 7, 11570 Chapultepec Morales  
Miguel Hidalgo, Distrito Federal, Mexico  
Tel. 52 55 4160-3547

IMPORTADO Y COMERCIALIZADO POR:  
TECHTRONIC INDUSTRIES MEXICO, S.A. DE C.V.  
Av Presidente Mazarik 29 Piso 7, 11570 Chapultepec Morales  
Miguel Hidalgo, Distrito Federal, Mexico



## UNITED STATES MILWAUKEE Service

MILWAUKEE prides itself in producing a premium quality product that is NOTHING BUT HEAVY DUTY®. Your satisfaction with our products is very important to us! If you encounter any problems with the operation of this tool, or you would like to locate the factory Service/Sales Support Branch or authorized service station nearest you, please call...

Additionally, we have a nationwide network of authorized Distributors ready to assist you with your tool and accessory needs. Check your "Yellow Pages" phone directory under "Tools-Electric" for the names & addresses of those nearest you or see the 'Where To Buy' section of our website.

### 1-800-SAWDUST

(1.800.729.3878)

Monday-Friday  
7:00 AM - 6:30 PM  
Central Time

or visit our website at

[www.milwaukeetool.com](http://www.milwaukeetool.com)

For service information, use the 'Service Center Search' icon found in the 'Parts & Service' section.

#### Contact our Corporate After Sales Service Technical Support about ...

- Technical Questions
- Service/Repair Questions
- Warranty

call: 1-800-SAWDUST  
fax: 1.800.638.9592

email: [metproductsupport@milwaukeetool.com](mailto:metproductsupport@milwaukeetool.com)

#### Register your tool online at [www.milwaukeetool.com](http://www.milwaukeetool.com) and...

- receive important notifications regarding your purchase
- ensure that your tool is protected under the warranty
- become a HEAVY DUTY club member

## CANADA - Service MILWAUKEE

MILWAUKEE prides itself in producing a premium quality product that is NOTHING BUT HEAVY DUTY®. Your satisfaction with our products is very important to us!

If you encounter any problems with the operation of this tool, or you would like to locate the factory Service/Sales Support Branch or authorized service station nearest you, please call...

**1.800.268.4015**

Monday – Friday 7:00 – 4:30 CST  
fax: 866.285.9049

### Milwaukee Electric Tool (Canada) Ltd

140 Fernstaff Court, Unit 4 18129 111 Avenue NW  
Vaughan, ON L4K 3L8 Edmonton, AB T5S 2P2

Additionally, we have a nationwide network of authorized Distributors ready to assist you with your tool and accessory needs. Call 1.800.268.4015 to find the names and addresses of the closest retailers or consult "Where to buy" on our Web site [www.milwaukeetool.com](http://www.milwaukeetool.com)

MILWAUKEE est fier de proposer un produit de première qualité NOTHING BUT HEAVY DUTY®. Votre satisfaction est ce qui compte le plus!

En cas de problèmes d'utilisation de l'outil ou pour localiser le centre de service/ventes ou le centre d'entretien le plus proche, appelez le...

**1.800.268.4015**

Lundi – Vendredi 7:00 – 4:30 CST  
fax: 866.285.9049

### Milwaukee Electric Tool (Canada) Ltd

140 Fernstaff Court, Unit 4 18129 111 Avenue NW  
Vaughan, ON L4K 3L8 Edmonton, AB T5S 2P2

Notre réseau national de distributeurs agréés se tient à votre disposition pour fournir l'aide technique, l'outillage et les accessoires nécessaires. Composez le 1.800.268.4015 pour obtenir les noms et adresses des revendeurs les plus proches ou bien consultez la section «Où acheter» sur notre site web à l'adresse [www.milwaukeetool.com](http://www.milwaukeetool.com)

## MEXICO - Soporte de Servicio MILWAUKEE

### CENTRO DE ATENCIÓN A CLIENTES

Av Presidente Mazarik 29 Piso 7  
11570 Chapultepec Morales  
Miguel Hidalgo, Distrito Federal, Mexico  
Telefono 52 55 4160-3547  
e-mail: [servicio@ttigroupna.com](mailto:servicio@ttigroupna.com)

Adicionalmente, tenemos una red nacional de distribuidores autorizados listos para ayudarle con su herramienta y sus accesorios. Por favor, llame al 01 800 832 1949 para obtener los nombres y direcciones de los más cercanos a usted, o consulte la sección 'Where to buy' (Dónde comprar) de nuestro sitio web en

[www.ttigroupmexico.com](http://www.ttigroupmexico.com)

### MILWAUKEE ELECTRIC TOOL CORPORATION

13135 West Lisbon Road • Brookfield, Wisconsin, U.S.A. 53005

#### Registre su herramienta en línea, en [www.ttigroupmexico.com](http://www.ttigroupmexico.com) y...

- reciba importantes avisos sobre su compra
- asegúrese de que su herramienta esté protegida por la garantía
- conviértase en integrante de Heavy Duty