

NUVICO®

HD Vandalproof Dome - ONVIF EC-2M-OV39N - ONV



Key Features

- 1/3" CMOS Sensor
- 2MP (1080p)
- 3 ~ 9mm, Motorized Vari-focal Lens
- Day/Night Functionality with ICR
- 24 IR LEDs (Up to 100ft.)
- Digital Noise Reduction: DNR
- Back Light Compensation: BLC
- Auto White Balance: AWB
- Service Monitor Output
- Built-in PoE / 24VAC
- Remote Zoom/Focus Over Network
- ONVIF Profile-S

Construction

- 4" Polycarbonate Bubble
- 3-Axis Gimbal
- Surface Mount Housing
- Aluminum Mounting Accessories (Optional)

Available Accessories

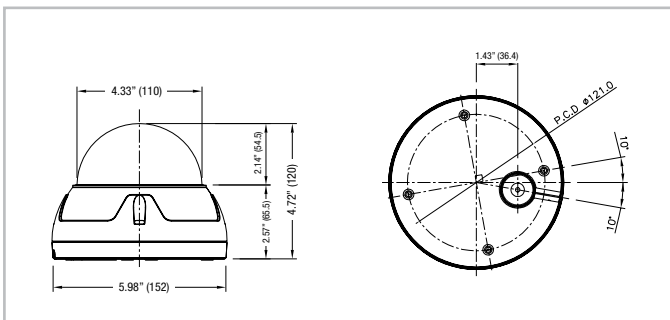
- CA-ORC: Service Monitor and OSD Controller Cable
- EA-WM100: Outdoor Wall Mount

Technical Specification

HD Network Vandalproof Dome	EC-2M-OV39N-ONV
Resolution	2MP (1080p)
Image Sensor	1/3" CMOS
Day/Night Functionality	Yes w/ ICR
Lens Type (DC Auto Iris)	Vari-focal 3 - 9mm (Motorized)
Angle of View	93° (W) ~ 31.7° (T)
IR LEDs	24
IR LEDs Distance	Up to 100ft.
LEDs Illumination Angle	80°
Video Compression	H.264 / MJPEG
Frame Rate	30fps
Electronic Shutter	1/30 ~ 1/20,000 sec.
Service Monitor Output	1.0 Vp-p Composite, 75 ohm
Minimum Illumination	0.8 Lux (Color), 0.2 Lux (B/W)
Composite Output	Yes
Micro SD Slot	Yes
Power Over Ethernet (PoE)	IEEE 802.3af compliant
Camera Control & Setup	E. Adjustments - Zoom and Focus
General Information	EC-2M-OV39N-ONV
Operating Temperature	14°F ~ 122°F, -40°F ~ 122°F W/Heater
Operating Humidity	Within 90% RH
Power Consumption	6W / 500mA (Camera Only)
Input Voltage	24VAC Voltage

*Specifications are subject to change without any prior notice.

Dimensions (inch:mm)



EC-2M-OV39N-ONV