

LED

FULL HD 1080p

18.5 INCH HD SDI IN / OUT



SD · HD · 3G-SDI

19HSDI3G

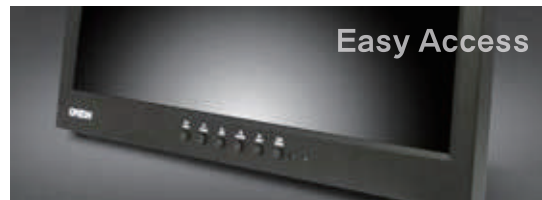
www.avsupply.com

OVERVIEW

The ORION Images 19HSDI3G incorporates the SD / HD / 3G-SDI formats with latest panel and image processing technology to provide higher contrast and accurate scaler at a price that fits your budget.

FEATURES

- Full HDTV display that delivers real time broadcast grade images
- LED backlight to extend the lifetime and save power
- SD / HD / 3G-SDI (level A / level B) is supported in addition to composite, PC (VGA) and HDMI inputs
- Non-glare surface coating
- Wireless remote control
- Electronic galvanized iron metal frame



Easy Access



Interface



Industrial



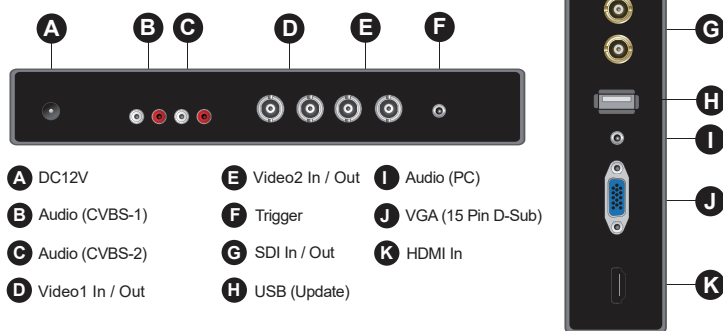
Built to run 24 x 7 x 365
Continuously

SPECIFICATIONS

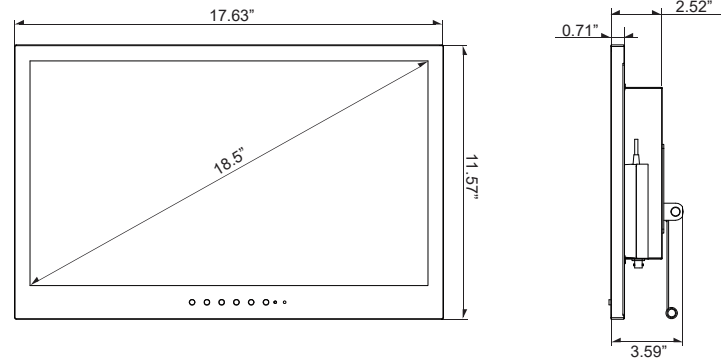
19HSDI3G	
Display	
Screen Size	19 Inch
Max. Resolution	1280 x 1024 @ 60Hz
Pixel Pitch	0.0976 x 0.2928m
Surface	Non-glare coating
Brightness	250cd/m ²
Contrast Ratio	1000 : 1
Aspect Ratio	5 : 4
Viewing Angle (H/V)	178° / 178°
Display Color	16.7 Million
Response Time	< 14ms (Gray to Gray)
Video System	NTSC / PAL
Interface	
SDI In / Out	1 In / 1 Out
SD-SDI	525i (29.97) NTSC / 625i (25) PAL
	525i (59.94) NTSC / 625i (50) PAL
	720p (50 / 59.94 / 60)
	1080i (50 / 59.94 / 60)
HD-SDI	1080p (23.98/ 24 / 25 / 29.97 / 30 / 50 / 59.94 / 60)
	1080PsF (25 / 29.97 / 30)
	1080i (50 / 59.94 / 60)
3G-SDI	SDI video connections are switchable between standard definition, High definition level A and level B 3G-SDI
SDI Compliance	SMPTE 259M, SMPTE 292M, SMPTE 296M, SMPTE 372M, SMPTE 424M, SMPTE 425M
Video In / Out (BNC Type)	2 In / 2 Out
HDMI In	1 In
VGA In (15Pin D-Sub)	1 In
Audio In (RCA Type)	2 Left & Right
PC Stereo In	1 In
Transmitter	
Remote Control	Yes
Audio	
Built-in Speakers	Yes (1W x 2)
Features	
Filter Type	3D Comb Filter is built-in
Deinterlacing	Yes
Noise Reduction	Yes
Advanced Auto Power Recovery	Yes
Trigger Sensor	Yes
Auto Pixel Shift	Yes
Auto Source Sequencing	Yes
Multi Language	English, Spanish, French, German, Italian
General (W x H x D)	
Outline Dimension	448.0 x 294.0 x 91.0mm (17.63" x 11.57" x 3.58")
Net Weight	4.5Kg (9.92 lbs)
Material / Color	Metal / Black
Power	< 24W
	DC12V / 5A, AC100 ~ 240V(50/60Hz)
Operating Temperature	0 ~ 40°C / 32 ~ 104°F
Optional Mounts	
VESA™ Mount Size	100 x 100mm

*Design and specifications are subject to change without notice

INPUT INTERFACE



DIMENSIONS



REAR VIEW / AC ADAPTER



AVAILABLE ACCESSORY

HD CCTV Cameras

- Full HD (1920 x 1080 30p) Video
- High resolution video with Progressive Scan
- HD Serial Digital Interface Type Video Output
- Minimum illumination 1Lux-Auto Switching Mode at 12 Lux

4CH Digital Splitter (CDS4S)

- Auto System Recovery
- Digital video splitter only for High definition camera (HD-SDI/HDMI)
- Various video output mode (1920x1080, 1280x1024, 1280x960, 1280x720, 1024x768)
- Support RS-232, RS-485

HD Receiver (CSDHRC)

- HDMI device which is receiving HD-SDI video of 2.2M pixel camera
- This box type HD-SDI receiver can connect to monitor directly. (BNC In & DVI Out)

HD Repeater / Distributer (2CH) (CSDRP2)

- Distance extension device for HD-SDI. In addition, there are two outputs from one input. Therefore, user can use two monitors with one HD-CCTV camera. When user uses repeater between HD-CCTV and Receiver, the distance can be increased 300ft per repeater.

HD Repeater / Distributer (8CH) (CSDRP8)

- Distance extension device for HD-SDI. In addition, there eight outputs from one input