

Spectra® IV IP Series Network Dome System

H.264, DIGITAL PAN/TILT/ZOOM HIGH-SPEED DOME



Product Features

- Ability to Control and Monitor Video Over IP Networks
- Simultaneous IP and Analog Video and Control
- H.264, MPEG-4, and MJPEG Compression
- Supported Protocols: TCP/IP, UDP/IP (Unicast, Multicast IGMP), UPnP, DNS, DHCP, RTP, RTSP, NTP, IPv4, SNMP, QoS, HTTP, HTTPS, LDAP (client), SSH, SSL, SMTP, FTP, and 802.1x (EAP)
- Multilevel Password Protection
- 3 Autofocus, High Resolution Integrated Camera/Optics Packages
- Autotracking
- Horizontal Zone and Window Blanking
- Sensitivity Down to 0.00018 lux PAL (36X Models)
- On-Screen Compass and Tilt Display
- Up to 2 Simultaneous Video Streams
- Web Viewing, up to 16 Cameras Simultaneously
- Open IP Standards



- ONVIF v1.02 Conformant
- Bidirectional Full-Duplex Audio

Spectra® IV IP dome systems incorporate all of the features and functions of Spectra IV (including analog), while allowing you to control and monitor video over an IP network from virtually anywhere in the world. Spectra IV IP is a high-speed dome with a built-in 100Base-TX network interface for live streaming to any network application.

Spectra IV IP supports two simultaneous video streams. The two streams can be compressed in MJPEG, MPEG-4, and H.264 formats across several resolution configurations. The streams can be configured in a variety of frame rates, bit rates, and group of pictures (GOP) structures for additional bandwidth administration. The H.264 compression video files are up to 20 times smaller than MJPEG, making network video storage more affordable.

Spectra IV IP allows you to view and control analog video while viewing, recording, and controlling network IP video. There is no need to abandon your current analog infrastructure if you are making the move to network video as a recording solution. Continue to monitor and control video in the analog domain while recording video in the network domain, and let Spectra IV IP's professional compression method do the work for you without the need for external encoders.

Spectra IV IP dome system consists of a back box, a dome drive, and a lower dome. These three system components are interchangeable with other Spectra IV IP dome systems, making retrofitting and application adjustments simple.

Spectra IV IP features several back box options. All back boxes feature built-in memory, which can be used to store camera and location-specific dome settings, including labels, presets, patterns, and zones.

All cameras in **Spectra IV IP** dome drives feature an EXview HAD™ imager for increased sensitivity and LowLight™ technology allowing the cameras to compensate for scenes where minimal light is present. Both the 29X and the 36X cameras feature built-in motion detection and advanced 128X wide dynamic range (WDR) that enables the system to compensate for scenes where dramatic contrasts in lighting are present. The 36X day/night camera's electronic image stabilization digitally reduces blurring of the camera image due to vibration caused by external sources, such as wind and traffic.

Web Interface

Spectra IV IP uses a standard Web browser for powerful remote setup and administration. Up to 16 cameras can be viewed on the same network.

Network protocols such as Secure Sockets Layer (SSL) configuration for security certificates, Secure Shell (SSH) for remote logon, and Quality of Service (QoS) for priority or guarantee data flow can be managed using a Web browser.

Video Systemization

Spectra IV IP easily connects to Pelco IP and hybrid systems such as Endura® version 1.5 (or later), MPEG-4; Endura version 2.0 (or later), H.264; Digital Sentry® version 7.3 (or later); DX8100 version 2.0 (or later); DX4700/D4800 Series 1.1 (or later); DX4700HD/DX4800HD Series v2.0 (or later); and DVR5100 version 1.5.4 (or later). The camera also features open architecture connectivity to third-party software. Pelco offers an application programming interface (API) and software developer's kit (SDK) for interfacing with Pelco's IP cameras.



TECHNICAL SPECIFICATIONS

CAMERA/OPTICS

	Day/Night (36X)	Day/Night (29X)	Day/Night (23X)
Signal Format	NTSC (DD436) PAL (DD436-X)	NTSC (DD429) PAL (DD429-X)	NTSC (DD423) PAL (DD423-X)
Scanning System	Interlace/Progressive selectable	Interlace/Progressive selectable	2:1 Interlace
Image Sensor	1/4-inch EXview HAD™	1/4-inch EXview HAD	1/4-inch EXview HAD
Effective Pixels			
NTSC	768 (H) X 494 (V)	768 (H) X 494 (V)	768 (H) X 494 (V)
PAL	752 (H) X 582 (V)	752 (H) X 582 (V)	752 (H) X 582 (V)
Horizontal Resolution			
NTSC	>540 TV Lines	>540 TV Lines	540 TV Lines
PAL	>540 TV Lines	>540 TV Lines	540 TV Lines
Lens	f/1.4 (focal length, 3.3 ~ 119 mm)	f/1.4 (focal length, 3.4 ~ 91.8 mm)	f/1.6 (focal length, 3.6 ~ 82.8 mm)
Zoom	36X optical, 12X digital	29X optical, 12X digital	23X optical, 12X digital
Zoom Speed (optical range)	3.2/4.6/6.6 seconds	3.2/4.6/6.6 seconds	2.9/4.2/5.8 seconds
Horizontal Angle of view	57.2° at 3.3 mm wide zoom; 1.7° at 119 mm telephoto zoom	57.2° at 3.4 mm wide zoom; 1.7° at 98.6 mm telephoto zoom	54° at 3.6 mm wide zoom; 2.5° at 82.8 mm telephoto zoom
Focus	Automatic with manual override	Automatic with manual override	Automatic with manual override
Maximum Sensitivity at 35 IRE			
NTSC/EIA	0.55 lux at 1/60 sec (color) 0.018 lux at 1/2 sec (color) 0.00018 lux at 1/2 sec (B-W)	0.55 lux at 1/60 sec (color) 0.018 lux at 1/2 sec (color) 0.00018 lux at 1/2 sec (B-W)	0.65 lux at 1/60 sec (color) 0.15 lux at 1/60 sec (B-W)
PAL/CCIR	0.45 lux at 1/50 sec (color) 0.015 lux at 1/1.5 sec (color) 0.00015 lux at 1/1.5 sec (B-W)	0.45 lux at 1/50 sec (color) 0.015 lux at 1/1.5 sec (color) 0.00015 lux at 1/1.5 sec (B-W)	0.55 lux at 1/50 sec (color) 0.12 lux at 1/50 sec (B-W)
Sync System	Internal/AC line lock, phase adjustable using remote control, V-Sync	Internal/AC line lock, phase adjustable using remote control, V-Sync	Internal/AC line lock, phase adjustable using remote control, V-Sync
White Balance	Automatic with manual override	Automatic with manual override	Automatic with manual override
Shutter Speed	Automatic (electronic iris)/Manual	Automatic (electronic iris)/Manual	Automatic (electronic iris)/Manual
NTSC	1/2 ~ 1/30,000	1/2 ~ 1/30,000	1/2 ~ 1/30,000
PAL	1/1.5 ~ 1/30,000	1/1.5 ~ 1/30,000	1/1.5 ~ 1/30,000
Iris Control	Automatic iris control with manual override	Automatic iris control with manual override	Automatic iris control with manual override
Gain Control	Automatic/OFF	Automatic/OFF	Automatic/OFF
Video Output	1 Vp-p, 75 ohms	1 Vp-p, 75 ohms	1 Vp-p, 75 ohms
Video Signal-to-Noise	>50 dB	>50 dB	>50 dB
Wide Dynamic Range	128X	128X	—
Electronic Image Stabilization	Integrated/Selectable	—	—
Auto Sharpness	Integrated/Selectable	Integrated/Selectable	—
Video Motion Detection	Integrated	Integrated	—

TECHNICAL SPECIFICATIONS

VIDEO

Video Encoding	H.264 base profile, MPEG-4, and MJPEG
Video Streams	Up to 2 simultaneous streams; the second stream is variable based on the setup of the primary stream
Frame Rate	Up to 30, 25, 24, 15, 12.5, 12, 10, 8, 7, 5, 6, 5, 4, 3, 2, 1 (dependent upon coding, resolution, and stream configuration)

Available Resolutions	Resolution			MJPEG		H.264 Base Profile		MPEG-4	
	Width	Height	Format	Maximum IPS	Recommended Bit Rate	Maximum IPS	Recommended Bit Rate	Maximum IPS	Recommended Bit Rate
	704	480	NTSC	30 ips	5.4 Mbps	30 ips	1.9 Mbps	30 ips	2.0 Mbps
	352	240	NTSC	30 ips	1.3 Mbps	30 ips	0.5 Mbps	30 ips	0.6 Mbps
	704	576	PAL	25 ips	5.4 Mbps	25 ips	1.9 Mbps	25 ips	2.0 Mbps

Supported Protocols	TCP/IP, UDP/IP (Unicast, Multicast IGMP), UPnP, DNS, DHCP, RTP, RTSP, NTP, IPv4, SNMP, QoS, HTTP, HTTPS, LDAP (client), SSH, SSL, SMTP, FTP, and 802.1x (EAP)
---------------------	---

Users	
Unicast	Up to 20 simultaneous users depending on resolution settings (2 guaranteed streams)
Multicast	Unlimited users H.264 or MPEG-4
Security Access	Password protected
Software Interface	Web browser view and setup, up to 16 cameras

Pelco System Integration	Endura 1.5 or later (MPEG-4) or Endura 2.0 or later (H.264); Digital Sentry 7.3 IP bundle 3 or later; DX8100 Series 2.0 or later; DX4700/D4800 Series 1.1 or later; DX4700HD/DX4800HD Series v2.0 or later; and DVR5100 version 1.5.4 or later
Open API	Pelco API or ONVIF v1.02

Minimum System Requirements	
Processor	Intel® Pentium® 4 microprocessor, 1.6 GHz
Operating System	Microsoft® Windows® XP, Windows Vista®, Windows 7, or Mac® OS X 10.4 (or later)
Memory	512 MB RAM
Network Interface Card	100 megabits (or greater)
Monitor	Minimum of 1024 x 768 resolution, 16- or 32-bit pixel color resolution
Web Browser*	Internet Explorer® 7.0 (or later) or Mozilla® Firefox® 3.0 (or later)
Media Player†	Pelco Media Player or QuickTime® 7.6.5 for Windows XP, Windows Vista, or QuickTime 7.6.4 for Mac OS X 10.4

*Internet Explorer is not supported by Mac OS X 10.4.

†This product is not compatible with QuickTime version 7.6.4 for Windows XP or Windows Vista. If you have this version installed on your PC, you will need to upgrade to QuickTime version 7.6.5.

TECHNICAL SPECIFICATIONS

DOMED DRIVE FEATURES

36X and 29X Models


- 256 Presets
- $\pm 0.1^\circ$ Preset Accuracy
- Electronic Image Stabilization (36X model)
- Auto Sharpness
- Multilingual Menus (English, Spanish, Portuguese, Italian, French, German, Russian, Polish, Turkish, and Czech)
- RJ-45 Data Port for Software Update and Setup
- On-Screen Compass, Tilt, and Zoom Display
- Password Protection
- $400^\circ/\text{sec}$ Pan Preset Speed and $200^\circ/\text{sec}$ Tilt Preset Speed
- Rotating Discreet Liner with Sealed Fixed Bubble
- Window Blanking: Up to 8, Four-Sided, User-Defined Shapes
- 8 Zones (configurable in size) Can Be Labeled with up to 20 Characters Each or Set to Output Blank Video
- 7 Alarm Inputs
- 1 Auxiliary (Form C) Relay Output and 1 Open Collector Auxiliary Output (can be alternately configured to operate upon alarm)
- Configurable Locations of Labels and On-Screen Displays
- Action on Alarm: Alarms Can Be Individually Configured for 3 Priority Levels, to Initiate a Stored Pattern, or to Go to an Associated Preset When Received
- Resume After Alarm: Allows the Dome to Return to a Previously Configured State After Alarm Acknowledgement or to its Previous Position Before Alarm
- Multiple Park and Power-Up Action
- Patterns: Up to 8, On-Screen, User-Defined Configurable Patterns; Includes Pan, Tilt, Zoom, and Preset Functions
- Proportional Pan/Tilt: Continually Decreases Pan/Tilt Speeds in Proportion to Depth of Zoom
- Variable Scan Speed: Scan Speed Can Be Configurable Between 1 to $40^\circ/\text{sec}$
- Pan Motion Allows 0.1° to $150^\circ/\text{sec}$ Pan Speed
- Configurable Limit Stops for Auto/Random/Frame Scan Modes
- Autosensing Protocol (Coaxitron[®], RS-422 Pelco P and Pelco D, Sensormatic[®], Vicon[®]); Accepts Other Control Protocols with Optional Translator Card
- Digital Position and Zoom Control and Feedback Through Pelco D Protocol
- Built-in Menu System for Setup of Configurable Functions
- "Auto Flip" Rotates Dome 180° at Bottom of Tilt Travel
- Configurable Zoom Speeds
- Freeze Frame During Presets

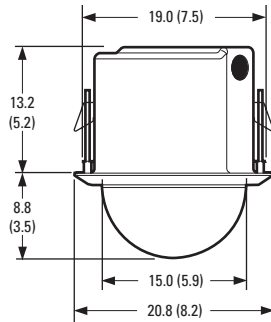
23X Models

- 64 Presets
- $\pm 0.1^\circ$ Preset Accuracy
- Multilingual Menus (English, Spanish, Portuguese, Italian, French, German, Russian, Polish, Turkish, and Czech)
- RJ-45 Data Port for Software Update and Setup
- On-Screen Compass, Tilt, and Zoom Display
- Password Protection
- $400^\circ/\text{sec}$ Pan Preset Speed and $200^\circ/\text{sec}$ Tilt Preset Speed
- Rotating Discreet Liner with Sealed Fixed Bubble
- Window Blanking: Up to 4, Four-Sided, User-Defined Shapes
- 8 Zones (configurable in size) Can Be Labeled with up to 20 Characters Each or Set to Output Blank Video
- 1 Alarm Input
- 1 Auxiliary (Form C) Relay Output
- Configurable Locations of Labels and On-Screen Displays
- Patterns: 1 On-Screen, User-Defined Configurable Pattern; Includes Pan, Tilt, Zoom, and Preset Functions
- Proportional Pan/Tilt: Continually Decreases Pan/Tilt Speeds in Proportion to Depth of Zoom
- Variable Scan Speed: Scan Speed Can Be Configurable Between 1 to $40^\circ/\text{sec}$
- Pan Motion Allows 0.1° to $150^\circ/\text{sec}$ Pan Speed
- Autosensing Protocol (Coaxitron, RS-422 Pelco P and Pelco D, Sensormatic, Vicon); Accepts Other Control Protocols with Optional Translator Card
- Digital Position and Zoom Control and Feedback through Pelco D Protocol
- Built-in Menu System for Setup of Configurable Functions
- "Auto Flip" Rotates Dome 180° at Bottom of Tilt Travel
- Freeze Frame During Presets

TECHNICAL SPECIFICATIONS

BACK BOX FEATURES

 NOTE: VALUES IN PARENTHESES ARE INCHES; ALL OTHERS ARE CENTIMETERS.

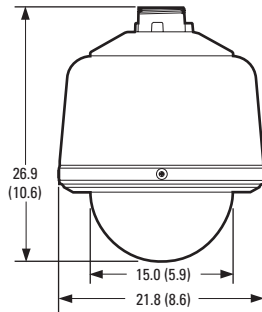


In-Ceiling (Indoor)

- Built-in Memory Stores Camera/Dome Settings
- Single Back Box for Suspended or Hard Ceiling Applications
- Requires 13.35 cm (5.25 in.) Space Above Ceiling and 8.25 cm (3.25 in.) Below
- Minimum Ceiling Thickness 1.27 cm (0.50 in.); Maximum 4.45 cm (1.75 in.)
- Quick Disconnect to Dome Drive
- Aluminum Construction
- Suitable for Use in Environmental Air Handling Spaces

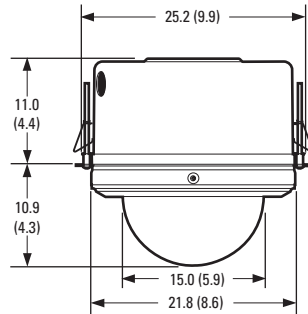


(ENVIRONMENTAL DOME WITH SUN SHROUD SHOWN)



Standard and Environmental Pendant

- Standard and Environmental Models
- Built-in Memory Stores Camera/Dome Settings
- Standard Pendant Available in Black or Gray Finish; Environmental Pendant Gray Finish Only
- Quick Disconnect to Dome Drive
- Aluminum Construction
- Environmental Model Includes Sun Shield, Fan, and Heater



Environmental In-Ceiling

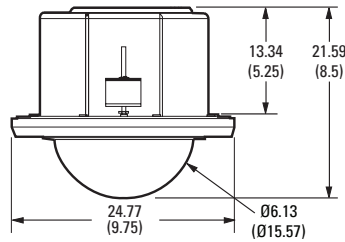
- Built-in Memory Stores Camera/Dome Settings
- Single Back Box for Hard Ceiling Applications
- Requires 11.18 cm (4.40 in.) Space Above Ceiling and 10.92 cm (4.30 in.) Below
- Includes Heater and Fan
- Minimum Ceiling Thickness 1.27 cm (0.50 in.); Maximum 4.45 cm (1.75 in.)
- Quick Disconnect to Dome Drive
- Aluminum Construction

TECHNICAL SPECIFICATIONS

BACK BOX FEATURES



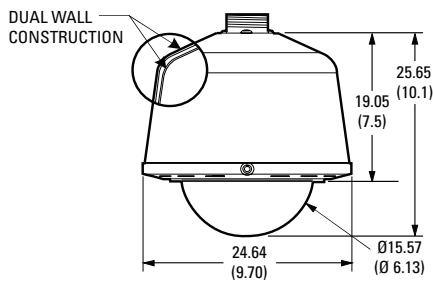
NOTE: VALUES IN PARENTHESES ARE INCHES; ALL OTHERS ARE CENTIMETERS.



Heavy-Duty In-Ceiling (Indoor)

Available only with 29X and 36X models

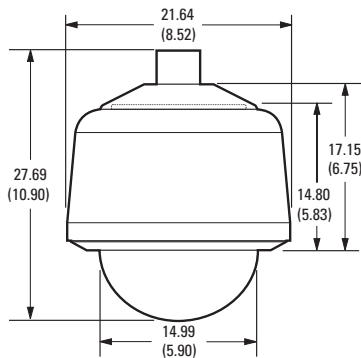
- Built-in Memory Stores Camera/Dome Settings
- Single Back Box for Hard Ceiling Applications
- Requires 13.35 cm (5.25 in.) Space Above Ceiling and 8.25 cm (3.25 in.) Below
- Quick Disconnect to Dome Drive
- Reinforced Mounting System
- Heavy-Duty Polycarbonate Dome Bubble
- Aluminum Trim Ring with Barrel-Type Key Locks
- Optional Protective Cage



Heavy-Duty Pendant

Available only with 29X and 36X models

- Standard and Environmental Models
- Built-in Memory Stores Camera/Dome Settings
- Quick Disconnect to Dome Drive
- Dual Wall Construction
- Heavy-Duty Polycarbonate Dome Bubble
- Aluminum Trim Ring with Barrel-Type Key Locks
- Optional Protective Cage
- Environmental Model Includes Sun Shield, Fan, and Heater



Stainless Steel Pendant

Available only with 29X and 36X models

- Standard and Environmental Models
- Built-in Memory Stores Camera/Dome Settings
- Quick Disconnect to Dome Drive
- All Stainless Steel Construction
- Includes Sun Shield, Fan, and Heater

TECHNICAL SPECIFICATIONS

GENERAL

Construction	
Back Box	
In-Ceiling	Aluminum
Pendant	Aluminum
Heavy-Duty	Aluminum
Stainless Steel	316 stainless steel; gray, polyurethane powder coated finish
Dome Drive	Aluminum, thermo plastic
Lower Dome	
In-Ceiling	Acrylic
Pendant	Acrylic
Heavy-Duty	Polycarbonate, 0.09-inch thick
Stainless Steel	Acrylic
Light Attenuation	
Smoked	f/0.5 light loss
Clear	Zero light loss
Chrome	f/2.0 light loss
Gold	f/2.0 light loss
Cable Entry (back box)	
In-Ceiling	0.75-inch conduit fitting
Pendant	Through 1.5-inch NPT pendant mount
Weight (approximate)	
	<u>Unit</u> <u>Shipping</u>
In-Ceiling	2.4 kg (5.2 lb) 3.6 kg (8 lb)
Environmental In-Ceiling	2.8 kg (6.2 lb) 4.5 kg (10 lb)
Standard Pendant	3.0 kg (6.5 lb) 5.0 kg (11 lb)
Environmental Pendant	3.5 kg (7.6 lb) 5.4 kg (12 lb)
Heavy-Duty In-Ceiling*	3.3 kg (7.3 lb) 5.4 kg (12 lb)
Heavy-Duty Pendant*	4.5 kg (9.8 lb) 7.3 kg (16 lb)
Heavy-Duty Environmental Pendant*	4.5 kg (9.8 lb) 7.3 kg (16 lb)
Stainless Steel	4.6 kg (10.1 lb) 7.3 kg (16 lb)
Environment	
In-Ceiling	Indoor
Environmental In-Ceiling	Outdoor
Pendant, Standard and Environmental	Indoor/outdoor
Heavy-Duty In-Ceiling	Indoor
Heavy-Duty Pendant, Standard & Environmental	Indoor/outdoor
Stainless Steel	Indoor/outdoor
Operating Temperature	
In-Ceiling	0° to 50°C (32° to 122°F)
Standard Pendant	(Assumes no wind chill factor)
Maximum	45°C (113°F) absolute maximum; 35°C (95°F) sustained maximum
Minimum	-4°C (25°F) sustained minimum
Environmental In-Ceiling and Environmental Pendant	(Assumes no wind chill factor)
Maximum	60°C (140°F) absolute maximum; 50°C (122°F) sustained maximum
Minimum	-51°C (-60°F) absolute minimum; prevents icing at sustained minimum of -45°C (-50°F); de-ices 2.5 mm (0.1 inch) within 3 hours after power-up
Heavy-Duty In-Ceiling	0° to 50°C (32° to 122°F)
Heavy-Duty Pendant	0° to 50°C (32° to 122°F) absolute maximum; 0° to 50°C (32° to 122°F) sustained maximum

Heavy-Duty Environmental Pendant	(Assumes no wind chill factor)
Maximum	60°C (140°F) absolute maximum; 50°C (122°F) sustained maximum
Minimum	-51°C (-60°F) absolute minimum; minimal icing at sustained minimum of -45°C (-50°F); prevents icing at sustained minimum of -40°C (-40°F); de-ices 2.5 mm (0.1 inch) within 3 hours after power-up
Stainless Steel	(Assumes no wind chill factor)
Maximum	60°C (140°F) absolute maximum; 50°C (122°F) sustained maximum
Minimum	-51°C (-60°F) absolute minimum; minimal icing at sustained minimum of -45°C (-50°F); prevents icing at sustained minimum of -40°C (-40°F); de-ices 2.5 mm (0.1 inch) within 3 hours after power-up
Effective Projected Area (EPA)	132.257 sq cm (20.5 sq in.) without mount; 303.225 sq cm (47 sq in.) with IWM Series mount

MECHANICAL

(Dome Drive Only)

Pan Movement	360° continuous pan rotation
Vertical Tilt	Unobstructed +2° to -92°
Manual Pan/Tilt Speeds	
Pan	0.1° to 80°/sec manual operation, 150°/sec Turbo
Tilt	0.1° to 40°/sec manual operation
Preset Speeds	
Pan	400°/sec
Tilt	200°/sec

For variable-speed operation, an appropriate controller is required; (with nonvariable speed control, Spectra IV IP pan/tilt speed is 20°/sec)

AUDIO

Streaming	Bidirectional: full or half duplex
Input/Output	Terminal block, analog for microphone and speaker; 600-ohm differential; 1 Vp-p maximum signal level
Compression	G.711 PCM 8 bit, 8 kHz mono at 64 kbit/sec

ELECTRICAL

Ports	RJ-45 connector for 100Base-TX Auto MDI/MDI-X Autonegotiate/Manual setting
Cabling Type	Cat5 or better for 100Base-TX
Input Voltage	18 to 32 VAC; 24 VAC nominal 22 to 27 VDC; 24 VDC nominal
Input Power	
24 VAC	23 VA nominal (without heater); 73 VA nominal (with heater)
24 VDC	0.7 A nominal (without heater); 3 A nominal (with heater)
Fuse	1.25 A
Auxiliary Outputs	2
Alarm Inputs	7

*Add 0.90 kg (2 lb) to the total weight if the system includes a lower dome cage.

RELATED PRODUCTS

CERTIFICATIONS/RATINGS/PATENTS

- CE, Class B
- FCC, Class B
- UL/cUL Listed
- C-Tick
- U.S. Patents 5,931,432; 6,793,415 B2; 6,802,656 B2; 6,821,222 B2; 7,161,615 B2
- Meets NEMA Type 4X, IP66 when installed properly (BB4E-F-E, BB4E-PB, BB4E-PG, BB4E-PG-E, BB4EHD-PG, BB4EHD-PG-E, and BB4E-PSG-E)
- Meets NEMA Type 1, IP40 (BB4E-F and BB4EHD-F)
- ONVIF 1.02

OPTIONAL ACCESSORIES

HD-KEYS	1 set of keys for heavy-duty lower dome
IPS-CABLE	Remote monitor cable and software kit consisting of the Spectra IV remote monitor interface cable and necessary software for use with a PC; refer to www.pelco.com for a list of compatible devices
IPS-RDPE-2	Remote data port; 24 VAC, wall/pole mount video/data breakout box; allows ground-level control/configuration when used with the IPS-CABLE

RECOMMENDED MOUNTS

In-Ceiling Domes

SD5-P	2' x 2' drop ceiling panel, aluminum construction; replaces 2'x2' ceiling tile
SCA1	Support rails for BB4N-F; for use in ceiling tile applications

Pendant Domes

BB5-PCA-BK	Pendant conduit adapter, black
BB5-PCA-GY	Pendant conduit adapter, gray
IWM Series	Wall mount, with or without integral 24pVAC, 100 VA transformer; black or gray finish; can be adapted for corner, parapet or pole application
MRCA	Ceiling mount, black
PP4348	Parapet roof mount
PP350/PP351	Parapet wall/roof mount
SWM Series	Compact wall mount, black or gray finish; can be adapted for corner or pole applications
IDM4012SS	Stainless steel wall mount with feedthrough capabilities

RECOMMENDED POWER SUPPLIES

MCS Series	Indoor, 24 VAC power supply
WCS Series	Outdoor, 24 VAC power supply

Refer to individual power supply specifications for more information.

SYSTEM AND COMPONENT MODELS

SYSTEM MODEL NUMBERS

Type	Back Box Color	Lower Dome	Cage	36X Day/Night		29X Day/Night		23X Day/Night	
				NTSC	PAL	NTSC	PAL	NTSC	PAL
In-Ceiling, Indoor	Black	Smoked	Blue	SD4E36-F0	SD4E36-F0-X	SD4E29-F0	SD4E29-F0-X	SD4E23-F0	SD4E23-F0-X
		Clear		SD4E36-F1	SD4E36-F1-X	SD4E29-F1	SD4E29-F1-X	SD4E23-F1	SD4E23-F1-X
		Chrome		SD4E36-F2	SD4E36-F2-X	SD4E29-F2	SD4E29-F2-X	SD4E23-F2	SD4E23-F2-X
		Gold		SD4E36-F3	SD4E36-F3-X	SD4E29-F3	SD4E29-F3-X	SD4E23-F3	SD4E23-F3-X
In-Ceiling, Environmental*	Black	Smoked		SD4E36-F-E0	SD4E36-F-E0-X	SD4E29-F-E0	SD4E29-F-E0-X	SD4E23-F-E0	SD4E23-F-E0-X
		Clear		SD4E36-F-E1	SD4E36-F-E1-X	SD4E29-F-E1	SD4E29-F-E1-X	SD4E23-F-E1	SD4E23-F-E1-X
		Chrome		SD4E36-F-E2	SD4E36-F-E2-X	SD4E29-F-E2	SD4E29-F-E2-X	SD4E23-F-E2	SD4E23-F-E2-X
		Gold		SD4E36-F-E3	SD4E36-F-E3-X	SD4E29-F-E3	SD4E29-F-E3-X	SD4E23-F-E3	SD4E23-F-E3-X
Pendant, Standard	Black	Smoked		SD4E36-PB-0	SD4E36-PB-0-X	SD4E29-PB-0	SD4E29-PB-0-X	SD4E23-PB-0	SD4E23-PB-0-X
		Clear		SD4E36-PB-1	SD4E36-PB-1-X	SD4E29-PB-1	SD4E29-PB-1-X	SD4E23-PB-1	SD4E23-PB-1-X
		Chrome		SD4E36-PB-2	SD4E36-PB-2-X	SD4E29-PB-2	SD4E29-PB-2-X	SD4E23-PB-2	SD4E23-PB-2-X
		Gold		SD4E36-PB-3	SD4E36-PB-3-X	SD4E29-PB-3	SD4E29-PB-3-X	SD4E23-PB-3	SD4E23-PB-3-X
	Light Gray	Smoked		SD4E36-PG-0	SD4E36-PG-0-X	SD4E29-PG-0	SD4E29-PG-0-X	SD4E23-PG-0	SD4E23-PG-0-X
		Clear		SD4E36-PG-1	SD4E36-PG-1-X	SD4E29-PG-1	SD4E29-PG-1-X	SD4E23-PG-1	SD4E23-PG-1-X
		Chrome		SD4E36-PG-2	SD4E36-PG-2-X	SD4E29-PG-2	SD4E29-PG-2-X	SD4E23-PG-2	SD4E23-PG-2-X
		Gold		SD4E36-PG-3	SD4E36-PG-3-X	SD4E29-PG-3	SD4E29-PG-3-X	SD4E23-PG-3	SD4E23-PG-3-X
Pendant, Environmental*	Light Gray	Smoked	SD4E36-PG-E0	SD4E36-PG-E0-X	SD4E29-PG-E0	SD4E29-PG-E0-X	SD4E23-PG-E0	SD4E23-PG-E0-X	
		Clear	SD4E36-PG-E1	SD4E36-PG-E1-X	SD4E29-PG-E1	SD4E29-PG-E1-X	SD4E23-PG-E1	SD4E23-PG-E1-X	
Heavy-Duty In-Ceiling, Indoor	Light Gray	Smoked	No	SD4E36-HF0	SD4E36-HF0-X	SD4E29-HF0	SD4E29-HF0-X	Blue	Blue
			Yes	SD4E36-HCF0	SD4E36-HCF0-X	SD4E29-HCF0	SD4E29-HCF0-X		
		Clear	No	SD4E36-HF1	SD4E36-HF1-X	SD4E29-HF1	SD4E29-HF1-X		
			Yes	SD4E36-HCF1	SD4E36-HCF1-X	SD4E29-HCF1	SD4E29-HCF1-X		
Heavy-Duty Pendant, Indoor		Smoked	No	SD4E36-HP0	SD4E36-HP0-X	SD4E29-HP0	SD4E29-HP0-X		
			Yes	SD4E36-HCP0	SD4E36-HCP0-X	SD4E29-HCP0	SD4E29-HCP0-X		
		Clear	No	SD4E36-HP1	SD4E36-HP1-X	SD4E29-HP1	SD4E29-HP1-X		
			Yes	SD4E36-HCP1	SD4E36-HCP1-X	SD4E29-HCP1	SD4E29-HCP1-X		
Heavy-Duty Pendant, Environmental*	Smoked	No	SD4E36-HPE0	SD4E36-HPE0-X	SD4E29-HPE0	SD4E29-HPE0-X			
		Yes	SD4E36-HCPE0	SD4E36-HCPE0-X	SD4E29-HCPE0	SD4E29-HCPE0-X			
	Clear	No	SD4E36-HPE1	SD4E36-HPE1-X	SD4E29-HPE1	SD4E29-HPE1-X			
		Yes	SD4E36-HCPE1	SD4E36-HCPE1-X	SD4E29-HCPE1	SD4E29-HCPE1-X			
Stainless Steel Pendant, Environmental*	Stainless Steel	Smoked	SD4E36-PSGE0	SD4E36-PSGE0-X	SD4E29-PSGE0	SD4E29-PSGE0-X			
		Clear	SD4E36-PSGE1	SD4E36-PSGE1-X	SD4E29-PSGE1	SD4E29-PSGE1-X			

*Environmental dome systems include a heater, fan, and sun shield.

SYSTEM AND COMPONENT MODELS

COMPONENT MODEL NUMBERS

Back Box		Dome Drive		Lower Dome [†]	
BB4E-F	In-ceiling, black, with back box memory	DD423	Day/Night (NTSC) camera (23X)	LDHQF-0	Smoked, in-ceiling
BB4E-F-E	In-ceiling, black, environmental, with back box memory	DD423-X	Day/Night (PAL) camera (23X)	LDHQF-1	Clear, in-ceiling
BB4E-PB	Pendant mount, black, standard, with back box memory	DD429	Day/Night (NTSC) camera (29X)	LD5F-2	Chrome, in-ceiling
BB4E-PG	Pendant mount, gray, standard, with back box memory	DD429-X	Day/Night (PAL) camera (29X)	LD5F-3	Gold, in-ceiling
BB4E-PG-E*	Pendant mount, gray, environmental, with back box memory	DD436	Day/Night (NTSC) camera (36X)	LDHQPB-0	Smoked, pendant, black
BB4EHD-F	Heavy-duty, in-ceiling, gray, with back box memory	DD436-X	Day/Night (PAL) camera (36X)	LDHQPB-1	Clear, pendant, black
				LD53PB-2	Chrome, pendant, black [‡]
BB4EHD-PG	Heavy-duty, pendant, gray, with back box memory			LD53PB-3	Gold, pendant, black [‡]
BB4EHD-PG-E*	Heavy-duty, environmental pendant, gray, with back box memory			LD53HDF-1	Clear, in-ceiling, heavy-duty
BB4E-PSG-E*	Stainless steel, environmental pendant, gray 316 SS, with back box memory			LD53HDCF-1	Clear, in-ceiling, heavy-duty with cage
				LD53HDPB-1	Clear, pendant, heavy-duty
				LD53HDCPB-1	Clear, pendant, heavy-duty, with cage
				LD53PSB-0	Smoked, pendant, black trim ring, 316 SS
				LD53PSB-1	Clear, pendant, black trim ring, 316 SS
Note: For environmental applications you must order an environmental back box.					

*Environmental dome systems include a heater, fan, and sun shield.

[†]Use the pendant lower domes with the environmental in-ceiling and environmental pendant back boxes.

[‡]Not recommended for outdoor use due to possible light reflections.

Pelco by Schneider Electric

3500 Pelco Way, Clovis, California 93612-5699 United States

USA & Canada Tel (800) 289-9100 Fax (800) 289-9150

International Tel +1 (559) 292-1981 Fax +1 (559) 348-1120

www.pelco.com

Pelco, the Pelco logo, and other trademarks associated with Pelco products referred to in this publication are trademarks of Pelco, Inc. or its affiliates. All other product names and services are the property of their respective companies.

ONVIF and the ONVIF logo are trademarks of ONVIF Inc. Product specifications and availability are subject to change without notice.

©Copyright 2012, Pelco, Inc. All rights reserved.