

DS NVs

DIGITAL SENTRY® NETWORK VIDEO SOFTWARE SOLUTION



Product Features

- Software-Only Video Management Solution
- Supports up to 128 Video Channels per Server* (Dependent on Hardware Configuration and IP Camera Settings)
- Includes 4 IP Licenses for Pelco or Third-Party IP Cameras/Encoders
- ONVIF Conformant
- Open Architecture Allows Installation on Industry-Standard Servers Running Microsoft® Windows®
- Manages Video from IP Cameras, Encoders, DX Series DVRs and Other DS NVs Servers Across the Network
- Compatible with Pelco Sarix® Analytics
- Capable of Recording Audio from Pelco IP Cameras
- Supports the Recording of MJPEG, MPEG-4, and H.264 Streams from Pelco and Third-Party Cameras
- Supports SQL Server® 2008 Express R2
- Recording Rate Configurable per Individual Camera
- Supports Lightweight Directory Access Protocol (LDAP) Authentication
- Remote Administration, Monitoring, and Management of Video
- Includes Thumbnail, Timeline, and Scrub Bar Search Methods
- Optional Archive Utility Support for 32-Bit and 64-Bit Operating Systems
- Logical Camera Grouping



(MONITOR NOT INCLUDED)

- Quick Review of up to 90 Minutes of Video and Data
- Print and HTML Reports of System Settings and Configuration Changes
- Wizard-Driven "Quick Setup"

DS NVs is a software-only management solution that supports up to 128 video channels per server when loaded on commercial off-the-shelf (COTS) hardware*.

DS NVs is capable of recording and displaying exceptional high-quality images captured by Pelco IP cameras and various third-party megapixel cameras. This tight integration between product and technology makes **DS NVs** a robust HD-enabled, end-to-end solution.

DS NVs provides users the flexibility of installing Digital Sentry software on the server of their choice. Customers with standard PC or server platforms can reduce their cost of ownership by leveraging their existing platforms for volume pricing and technical support agreements. Because Digital Sentry is based on an open architecture, **DS NVs** allows customers the freedom to choose the PC/server platform and IP cameras that best fit their application.

DS NVs includes support for Pelco analytics at no additional licensing cost when using Sarix® series cameras or Net54xxT series encoders. Forensics capabilities are enhanced with thumbnail, timeline, and scrub bar search utilities.

DS NVs allows customers to leverage their investments in analog infrastructures while migrating to IP technologies. The DS NVS ControlPoint client can access cameras from other DS NVS servers, DS SRV based network video recorders, and DX series DVRs, providing DX customers the ability to transition to a full IP VMS solution while continuing to leverage their investment in DVR technologies. DS NVS is compatible with the DX8000/8100, DX4500/4600/4700/4800 and the DX4700/4800HD.

*The DS NVs database is limited to 128 cameras. The number of cameras that can be supported depends upon camera settings, client connections and activity, network bandwidth, and the available throughput of the DSSRV.



by Schneider Electric

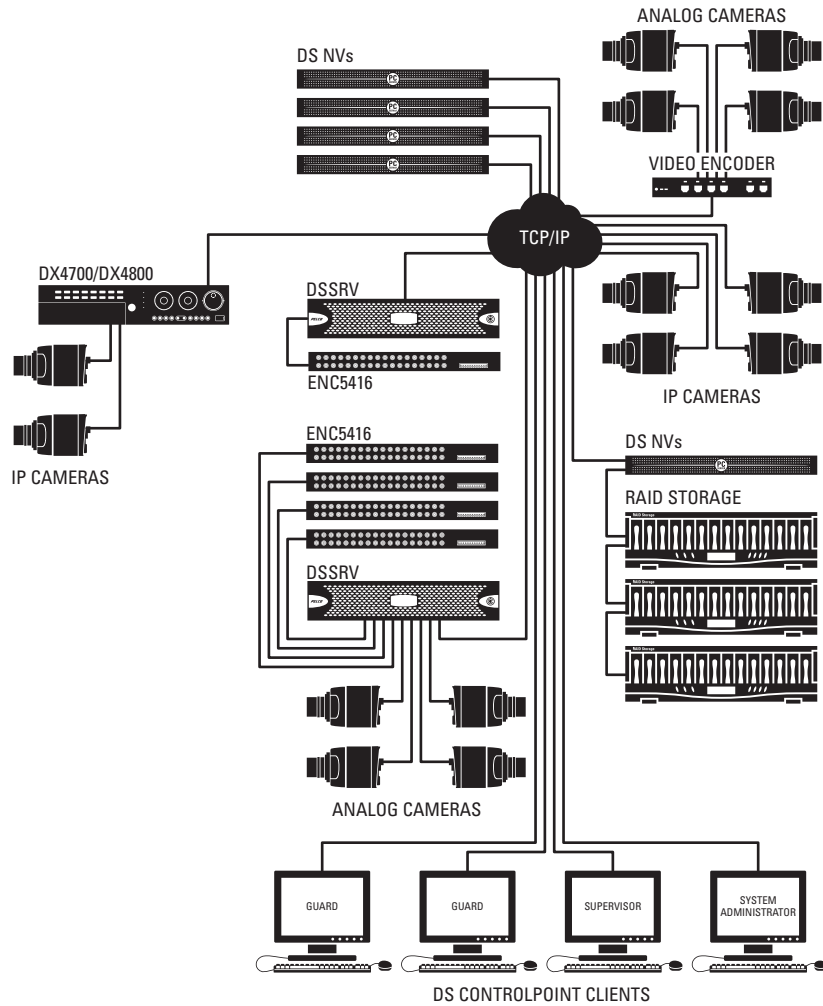


C3663 / REVISED 9-30-14

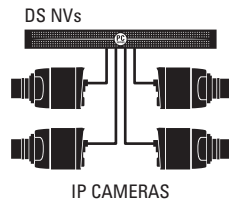
TECHNICAL SPECIFICATIONS

IMPORTANT NOTE. PLEASE READ. The network implementations are shown as general representations only and are not intended to show detailed network topologies. Your actual network will differ, requiring changes or perhaps additional network equipment to accommodate the systems as illustrated. Please contact your local Pelco Representative to discuss your specific requirements.

DS NVS AS PART OF A LARGER DIGITAL SENTRY NETWORK



DS NVS AS A STAND-ALONE IP VIDEO MANAGEMENT SYSTEM



TECHNICAL SPECIFICATIONS

SYSTEM

User Interface DS ControlPoint

VIDEO

Video Standards NTSC/PAL
Video Decoding MPEG-4, MJPEG, H.264
Video Resolutions Up to 10 megapixels, based on camera capabilities
IP Camera Capacity Up to 128

RECOMMENDED SERVER REQUIREMENTS

Operating System Microsoft® Windows® 7 Ultimate 32 or 64 bit, Windows 7 Professional 32 or 64 bit, Windows Vista® SP2, Windows Server 2008 SP2
Processor 2nd Generation Intel® Core i7™ Sandy Bridge technology 3.4 GHz or higher
Memory 4 GB DDR3 or greater
Graphics Card 512 MB or more dedicated video memory
Optical Drive DVD
Hard Drive 7200 RPM
Dedicated Server Required

RECOMMENDED CLIENT REQUIREMENTS*

Operating System Windows XP Professional SP2, Windows Vista (32 or 64 bit), Windows 7 (32 or 64 bit)
Processor 2nd Generation Intel® Core™ i7 3.4 GHz or higher
Memory 4 GB DDR3 or higher
Graphics Card 512MB or more dedicated memory

*While the DS ControlPoint client can be run at the server, doing so can impact performance of the DSSRV. For optimum performance, run DS ControlPoint at a client station.

CERTIFIED PLATFORMS

DS SRV - 2RU server with internal storage, pre-bundled with DS NVS

Pivot3 CloudBank™

Pivot3 MiniBank™

Pivot3 HardBank™

Pivot3 DataBank™

TECHNICAL SPECIFICATIONS

MODEL

DS-NVS-NC

Base software, video recording software solution, available on DS USB key; the most current version of the software is available as a free download from www.pelco.com

IP CAMERA LICENSE

DS SW-CAM

IP camera license for an IP camera or each analog camera connected to an IP encoder

Note: The first four IP licenses for Pelco or third-party cameras/encoders (equal to the initial default configuration) are included at no additional cost. Camera licenses are required to upgrade to any camera count above the initial default configuration.

CERTIFICATIONS/RATINGS/PATENTS

- ONVIF 1.02

OPTIONAL SOFTWARE AND HARDWARE

AUSVR-SW-1L

Archive Utility server software license for first DVMS unit (required)

AUS 2-10L

Archive Utility server software license for second to tenth DVMS units

AUS-1L

Archive Utility server software license for eleventh or greater DVMS units

Note: Refer to Partner First for third-party integrations at partnerfirst.pelco.com for more information.

NOTICE: Judgment as to the suitability of the products for users' purposes is solely the users' responsibility. Users should refer to the Operation manuals for cautionary statements regarding user selected options and how they might affect video quality. Users shall determine the suitability of the products for their own intended application, picture rate and picture quality. In the event users intend to use the video for evidentiary purposes in a judicial proceeding or otherwise, users should consult with their attorney regarding any particular requirements for such use.

Pelco by Schneider Electric

3500 Pelco Way, Clovis, California 93612-5699 United States

USA & Canada Tel (800) 289-9100 Fax (800) 289-9150

International Tel +1 (559) 292-1981 Fax +1 (559) 348-1120

www.pelco.com www.pelco.com/community

Pelco, the Pelco logo, and other trademarks associated with Pelco products referred to in this publication are trademarks of Pelco, Inc. or its affiliates. ONVIF and the ONVIF logo are trademarks of ONVIF Inc. All other product names and services are the property of their respective companies. Product specifications and availability are subject to change without notice. ©Copyright 2014, Pelco, Inc. All rights reserved.