



DOOR CONTROL

DOOR CONTROL

SECTION 4

Index

A

ADA Accessibility Force Guage	16
Advantex	5
Automatic Operators	14

D

Door Closers	3
Dor-O-Matic/Falcon	13

E

Exit Alarms	6, 27, 31
Exit Bars	5, 6, 7

F

Floor Closers	24
---------------	----

M

Maintenance Kits	40
Mullions	6, 25, 40

O

Operators	7, 14, 16
Overhead Concealed Closers	27, 29

Q

Quiet Electric Latch Retraction	36
---------------------------------	----

R

Rim Exit Devices	5, 6
------------------	------

Door Closers	Alphabetical by Manufacturer
Exit Devices	Alphabetical by Manufacturer

V

Vendors

ADAMS RITE	2
ARROW	2
CORBIN RUSSWIN	3-4
DETEX	5, 6, 7
DOR-O-MATIC / FALCON	13
DORMA	7-12
FALCON	14, 20-21
JACKSON	15
LCN CLOSERS	16-19
MONARCH	20-21
NORTON	22
PRECISION	23
RIXSON	24
S-LINE NSP	27-29
S. PARKER HDWE	29-30
SARGENT	24-26
STANLEY	30
TACO	27-29, 42
TELL MFG.	31
VON DUPRIN	31-40
Von Duprin 22 Series Rim Devices	32
Von Duprin 88 Series Rim Devices	34
Von Duprin 99 Series Surface Mounted	35, 37
Von Duprin Chexit Rim Device	37
Von Duprin Guard-X	31
Von Duprin Parts	38-40
YALE	41

BONUS INFORMATION

Door Handing	42
Finishes	42
Benefits for Southern Lock Customers	43



Don't see what you are looking for? Give us a call: 800-282-2837.
Prices may not reflect recent price increases or manufacturer's surcharges.

[Main Contents](#)

[Index- This Section](#)

[ORDER](#)



S1250 RIM EXIT DEVICE



Tested successfully to UL305 & ANSI/BHMA A156.3,

Grade 1 as minimum for performance criteria:

- Cycle test requirement - 500,000 cycles • Emergency exit tests- No load and 250 lb. load on door • Security test - 400 lbs. load in attempt to pull door open
- Trim durability/cycle test - 500,000 cycles

Additional successful testing, beyond U.L. & ANSI/BHMA requirements:

- Cycle testing of S1250 to 1,000,000+ cycles with minimal wear. (device still functional)
- Cycle testing of FS1250 to 2,000,000+ cycles with minimal wear. (device still functional)
- Trim durability test-with SR trim- tested to 1,000,000+ cycles without grease on chassis components. No negligible wear on cam or other components.



BR12 Storeroom function Trim

Order #	Item #	Price
080-1250	S1250 AL	\$333.84
080-1255	BR12 26D Trim	222.60.

Other Trim available by special order.



ADAMS RITE
MANUFACTURING CO.



RIM MOUNTED Exit Device

Series 8800 for metal stile glass doors. Combine the ease of installation offered by rim-mounted devices with the clean lines of the Adams Rite push bar.

The starwheel bolt achieves a new level of exit device security without sacrificing life safety in any way: A hardened steel strike plate is mounted to the door jamb. A unique noseguard on the bar interlocks with the strike to prevent jamb-spreading.

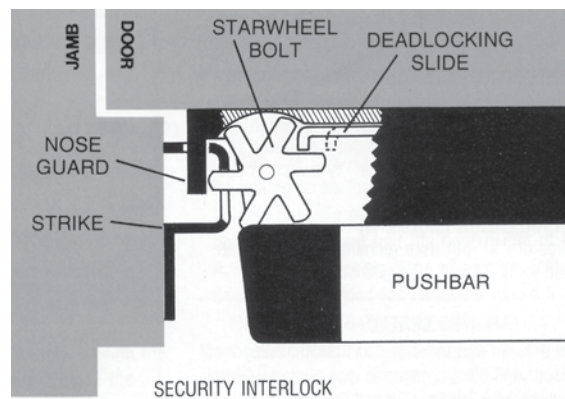
Series 8800 is mounted with four screws, hidden from access. Bar installation requires only four 1/4" holes for Rivnut® threaded inserts.

For Narrow Stile Glass Door, 42" Door opening width. 628 Aluminum, 313 Bronze.

Order #	Item #	Catalog Price
020-8801	8801-42-628	\$433.84
020-8802	8802-42-313	433.84

With Solenoid Latch Retraction. 36" Door opening width

020-8803	8801-EL-36-628	\$802.72
020-8804	8801-EL-36-313	802.72





DC3200 Closers

Multi-sized; full adjustability size 1-6.
Parallel Arm, Sex nuts and bolts (SNBs)



Door Closers . . . Applications

The mid-priced, cost-effective choice for high-traffic situations. The DC3000 Series Door Closers fulfill security and life safety requirements by ensuring reliable latching for access control and fire code compliance, along with ease of operation and precise adjustability for barrier-free code compliance. Ideal for virtually all door openings and draft conditions in both new construction and renovations, including:

- Schools and universities
- Health care
- Government
- Commercial and industrial
- Office and retail
- Transportation and utilities
- Hotels and conference centers
- Religious

Advantages

- Meets or exceeds ANSI/BHMA A156.4 Grade 1 requirements
- Compliance with building and barrier-free codes
- Up to full 180° door opening
- One-piece seamless steel spring tube seals in hydraulic fluid
- Tapered valves allow precise adjustment
- Cast iron body
- Quik-Install™ mounting bracket speeds installation, reducing cost and errors
- Five-year limited warranty
- UL10C, UBC
- Powder painted arms and retrofit plate

DC3210 Parallel Arm Mounting

- Allows inside application of closer on out-swinging doors
- Closer is mounted on the push side with the arm parallel to the face of the door
- Arm does not project from the opening

Order #	Item #	Catalog Price
196-2000	DC3210-689 M54	\$280.80



ED5200

Security Deadbolt Exit Device.

Grade 1, ANSI 156.3

Rectangular shaped two pieced deadlocking deadbolt. Patented free-wheeling lever release mechanism. Use on swinging doors in openings where security is a concern. Single opening or pair with mullion.

Minimum stile width: 4-1/2"

Full 3/4" projection, positive deadlocking by auxiliary bolt.

Constructed of high-grade, hardened, corrosion-resistant nickel steel alloy.

Utilizes a surface mounted 3/8" diameter roller strike, with positive locking plate and shims, assuring friction-free re-locking for a long, trouble free life.

Dimensions:

- Bar Height: 2-1/4"
- Projection: 3-1/4"
- Projection when dogged: 2-3/4"

UL and cUL listed panic exit hardware for emergency exit doors. UL and cUL listed fire exit hardware for openings up to 8'0" by 8'0" and doors rated up to 3 hours.

ANSI 156.3 Grade 1 types 1, 4, and 28.

For 36" Doors.. Non-handed

Order #	Item #	Price
195-5200	COR ED5200S x 626	\$1133.00



Don't see what you are looking for? Give us a call: 800-282-2837.
Prices may not reflect recent price increases or manufacturer's surcharges.

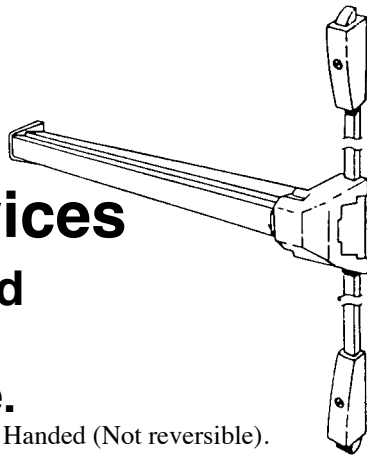


Trim for ED5200

Pull w/Cylinder

T1357 Cast Pull, Wrought Escutcheon, Rim Cylinder
Not Included

Order #	Item #	Price
195-5213	T1357 626 Nightlatch ANSI FO3/06/09	\$292.80

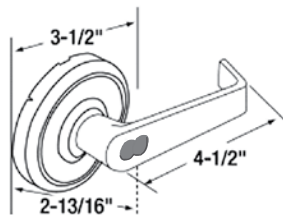


Exit Devices

Vertical Rod ED8400 Exit Device.

36" width, Vertical rod, Handed (Not reversible).
No outside operation.

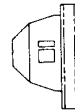
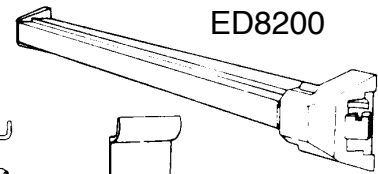
Order #	Item #	Price
195-0017	COR ED8400 689 L.H.R.	\$678.00
195-0018	COR ED8400 689 R.H.R.	678.00



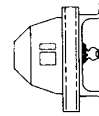
N655 626 Corbin Russwin Newport Lever

Classroom function exterior trim for use with ED8000 series exit devices. IC, less core.

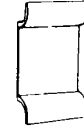
Order #	Item #	Catalog Price
195-0022	N655 Cl6 626	\$582.00



Exit
Only



With
Pull



Pull
Only

CORBIN RUSSWIN ED8200 Series Rim Mounted Exit Devices

Non-handed. 689 Silver Aluminum Lacquer finish.

Exit Only: \$394.40

195-0015	COR ED8200 689	(29M2-36")
195-0042	COR ED8200 689 WO42	(29M2-42")

Exit Device with Outside Pull

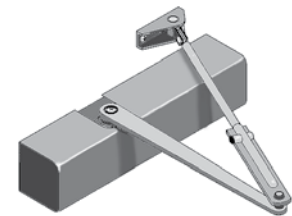
(Less Cylinder) \$460.80

195-0014	COR ED8200 P857 689	(29M2 x 9P-36")
----------	---------------------	-----------------

Pull Trim Only for Panic Exit Device: \$68.40

195-0016	COR P8 689 (Less cylinder)	(2P)
----------	----------------------------	------

Non-Sized, Parallel Arm Door Closer



Spring power adjustment in the field to accommodate many size doors. U.L. Listed for all classes of labeled doors. Full adjustable for closer sizes 1 through 6. Allows full 180° door opening. Universal, not handed. Supplied with sex nuts and through bolts. Silver Aluminum Lacquer finish.

RUS-P2820-SNB-SBL. "One Size Fits All:"

196-1000	COR-DC2210 689 M54	\$330.00
----------	--------------------	----------

Detex DOOR CONTROL

Advantex

**DETEX
ADVANTEX**



10 SERIES
(WIDE STILE)



40 SERIES
(NARROW STILE)

Rim Exit Devices, Exit Bars

Product Information

- Super heavy duty for use on high traffic, high abuse doors
- All exposed surfaces are architectural finishes over stainless steel
- Stainless steel, deadlocking Pullman type latchbolt
- Angled end-cap deflects damage from device
- Patented mounting plate and strike locator system
- Retrofits to multiple manufacturers' door preparations (10 Series)
- Quick & easy change on a variety of outside trims and functions
- Non-handed
- 1/8" turn hex key or cylinder dogging
- Exceeds all Life Safety, ADA, California 19, ANSI/ BHMA A156.3 2001 Grade 1 requirements.
- UL Listed Panic hardware
- 10 year limited manufacturer's warranty on mechanical with 3 year limited warranty on electrical
- For 36" wide doors.

Order #	Item #	Stile	Catalog Price
215-1010	ADV10	Wide	\$962.50
215-1040	ADV 40	Narrow	1068.10

ADVANTEX



08D



03C



08DN



03CN

TRIM

For ADV 10. Entrance by lever.

Key locks or unlocks lever (Mortise cylinder required, not included) Vandal resistant clutching lever for ADV 10.

Order #	Item #	Catalog Price
215-1018	DTX 08D 626	\$412.50

For ADV 10. Entrance by Pull Handle

when latchbolt is retracted by key. Key removable only when lock (Rim cylinder required, not included).

Order #	Item #	Catalog Price
215-1013	DTX 03C 626	\$192.50

For ADV 40. Entrance by lever

Key locks or unlocks lever (Mortise cylinder required, not included) Narrow Stile for ADV 40.

Order #	Item #	Catalog Price
215-1048	DTX 08DN 626	\$440.00

For ADV 40. Entrance by Pull Handle

when latchbolt is retracted by key. Key removable only when lock (Rim cylinder required, not included). Narrow Stile for ADV 40.

Order #	Item #	Catalog Price
215-1043	DTX 03CN 626	\$220.00



Don't see what you are looking for? Give us a call: 800-282-2837.
Prices may not reflect recent price increases or manufacturer's surcharges.

DETEX
ADVANTECH



Exit Alarms, Slide-In Filler Kits

Allow change or addition to the device after initial installation. Allarm provides 100+ decibel directional piezo alarm with remote signal relay, remote bypass relay, and LED display. 9 volt DC, 12 volt AC operation. Requires mortise cylinder with standard cam - not included. 630, for 36" exit device.

Order #	Item #	Fits	Catalog Price
215-1060	SIF-EA	ADV 10	\$556.50
215-1065	SIF-EA	ADV 40	556.50

DETEX

Rim Exit Devices, Exit Bars

V40xEE

Delayed Egress rim Exit Device

Designed for primary and secondary exits, it provides a secure 15 second delay and a 100 decibel alarm when someone attempts to exit. This 15-second delay allows management time to respond before someone exit and the alarm deters the exit from occurring. Per life safety requirements, the V40xEE must be provided with a fire alarm input, thus providing a system override during a fire emergency. the V40xEE provides security while meeting all life safety concerns. An exceptional value.

See page 6-21 of our 2006 catalog for more information on the V40 series exit device

Order #	Item #	Catalog Price
215-0045	V40EE Alum 36"	\$1727.00

DETEX

Keyed Removable Mullions

Very durable, low cost mullion designed for use with rim exit devices on standard doors. The unique design of the latching head allows the mullion to be removed in seconds with one key turn, and then to be snapped back into place without needing a key.

Specifications

- 2" x 3" 11 gauge steel tube for strength and durability
- For 7 foot doors
- Top frame fitted cylinder housing
- Top & bottom fitting materials
- Small footprint for bottom fitting with concealed fasteners
- Standard primer gray finish
- Operates with standard rim cylinder (Not Included)

Order #	Item #	Catalog Price
215-0090	DTX 90KR	\$892.50



**PUSH UNTIL ALARM SOUNDS
DOOR CAN BE OPENED IN 15 SECONDS**

Standard Package Includes:

- 15 Second Delayed Egress with Latch Bolt Security Monitoring
- 24V Filtered and Regulated Power Supply with simplified fire loop connections.
- Cylinder Dogging Standard
- Delayed Egress Door Sign (Red)
- Flexible 3' Conduit Loop and End Cap Connector
- Push Pad Signage "Push to Open Alarm Will Sound"



Exit Control Hardware



Value Series. V40xEB

Best value for durable and attractive loss prevention hardware.

- 24 Hour a day protection
- Durable and aesthetically pleasing design
- Accommodates 5, 6, and 7 pin standard and interchangeable core cylinders with a standard Yale cam.
- Patented design for perfect alignment with door and frame without paper template.

MECHANICAL FEATURES

- Stainless steel 3/4" throw self-latching bolt.
- Angled end cap to deflect damage.
- Tamper resistant housing protects electronics, battery and internal hardware.
- Bright signage deters theft and reduces false alarms.

DIMENSIONS

- Fits doors 34" to 36". Length is 33".
- Height of cover is 8-1/2".
- Fits 2" stile doors with semi-mortise strike.
- Profile from face of door- Un-dogged 3-1/4", Dogged 2-3/8"

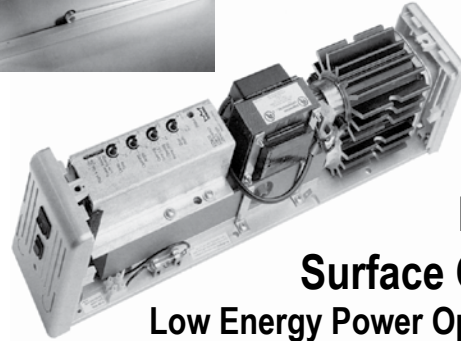
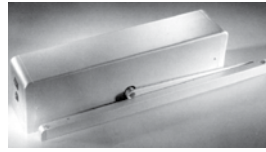
ELECTRONIC FEATURES

- State of the art electronics for reliable security and instantaneous alarms.
- 100+ Decible alarm.
- Adjustable re-arming feature for variable time re-arm.
- Visual and audible arming indicators.
- Powered by standard 9-volt DC battery with low battery alert.
- Delayed arming feature for arming after door closes.
- Red flashing LED alert when not armed.

CODE COMPLIANCE

- Grade 1, UL Listed Panic and Fire Exit Hardware Device.
- UL Listed for 3 hours
- UBC 97, Standard 7-2 (Positive Pressure)
- Exceeds Life Safety, ADA, CA Title 19, ANSI/BHMA requirements and all building codes.

Order #	Item #	Catalog Price
215-0040	V40 x EB	\$573.10



ED800

Surface Closer

Low Energy Power Operators

A door closer that makes doors easy to open while providing sufficient closing force. Better than a closers with adjustable spring power, the ED800 fulfills the need for constant reliable closing control of doors while providing the power to open them as needed for the physically challenged.

- Non-handed
- Accommodates doors 36"/100 lbs to 48"/200 lbs.
- Push/Pull switch allows one unit for track and top jamb applications.
- Low Energy/Power Assist selector switch
- Strike delay on/off switch; Push & Go on/off switch
- Delay time, opening time/opening force, opening angle and door width selector adjustments for powered operation.
- Status light for diagnostic purposes.

UL and CUL listed. BHMA certified to ANSI A156.19 Grade 1 for power assist and low energy power operated doors meets UL10C and UBC 7.2 (1997) for positive pressure.

Power requirements: 120VAC @ 50/60 Hz; 2 Amp
Auxiliary power output: 12 Volts (nominal) filtered, unregulated @ 500mA max. Range 10-25 VDC.

Form "C" Relay Contact for controlling fail-secure or fail-safe locking devices: 50 VAC or DC @ 1 Amp max. When incorporating the ED800 into a system with other electrical components, DORMA's Technical Services Department offers assistance with point to point wiring diagrams. Please contact them with specific requirements.

Finishes: Aluminum: 689; Dark Bronze: 695

Order #	Item #	Catalog Price
231-8000	ED800J x 689	\$4497.60
231-8001	ED800J x 695	4497.60

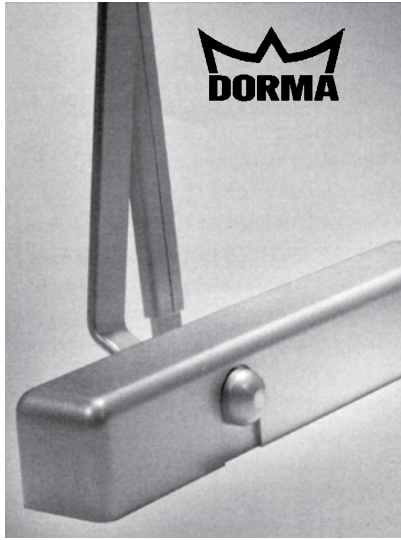
Power Cord for ED800

231-8007	800PC	\$44.40
----------	-------	---------

See BEA in Section 6 for accessories

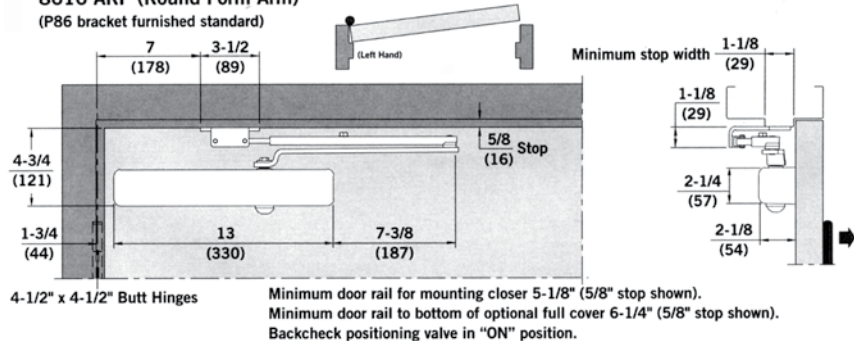


Don't see what you are looking for? Give us a call: 800-282-2837.
 Prices may not reflect recent price increases or manufacturer's surcharges.



Parallel Arm x Flat Form Arm (or Round Form Arm)

8616 AF86P (Flat Form Arm – Shown)
8616 ARP (Round Form Arm)
(P86 bracket furnished standard)



Size Selection Chart

CLOSER	INTERIOR/ EXTERIOR	DOOR WIDTH					MAXIMUM OPENING	APPROX. BACKCHECK	APPROX. DELAYED ACTION	MINIMUM DOOR WIDTH
		2'-0" min.	2'-6" max.	3'-0" max.	3'-6" max.	4'-0" max.				
8616	INTERIOR	•	•	♿	•	•	180°	60°-180°	180°-75°	24"
	EXTERIOR	•	•	♿	•	N/A				

8600 Series Closers

Represent the latest in Door Control Technology, Designed to Exceed the Demands of Today's Buildings

Technical Details:

- For interior and exterior doors.
- Meets barrier-free requirements (adjustable size 1-6).
- Adjustable backcheck.
- Backcheck positioning valve maintains effective backcheck range on parallel arm applications. Valve is accessible with the closer installed.
- Slim plastic cover
- Designed to minimize change in closing speed during severe temperature changes.
- Aesthetically pleasing and easy to adjust steel flat form



- arm assembly.
- SNB1 sex nuts and machine screws for 1-3/4" thick doors.

Certification:

UL and CUL Listed. Certified to the requirements of ANSI A156.4 Grade 1. Meets requirements for UL10C and UBC 7.2 (1997) for positive pressure. Meets ANSI A117.1 and ADA for barrier-free accessibility. California State Fire Marshall (CSFM) approved. 25 year warranty.

- ARP:** Round form non-hold open (parallel arm mount)
- AF86P:** Flat form non-hold open (parallel arm mount)

Order #	Item #	Catalog Price
231-3020	8616 ARP x 689	\$239.40
231-3025	8616 ARP x 695	239.40
231-3030	8616 AF86P x 689	245.70
231-3035	8616 AF86P x 695	245.70

Arm Assemblies

Integra Stop Arm (For 7400, 8600, 8900)

Provides a cushioned opening function for regular and top jamb applications at 85°, 90°, 95°, 100°, 105°, and 110°. Non-handed.

IS - Integra stop arm complete (0" - 4" reveal)

ISJ - Top jamb integra stop arm complete (4" - 6" reveal)

Order #	Item #	Catalog Price
231-3100	IS-ARM 689	\$236.60
231-3105	ISJ-ARM 689	254.80

Arm Assemblies

Plunger Hold Open Arm (For 8600 & 8900)

Provides a hold open function at a selected point within a range from approximately 30° - 150°. Ideal for doors frequently placed in and out of hold open. Non-handed

PH - Plunger hold open arm complete regular or top jamb mount (0" - 1.5" reveal)

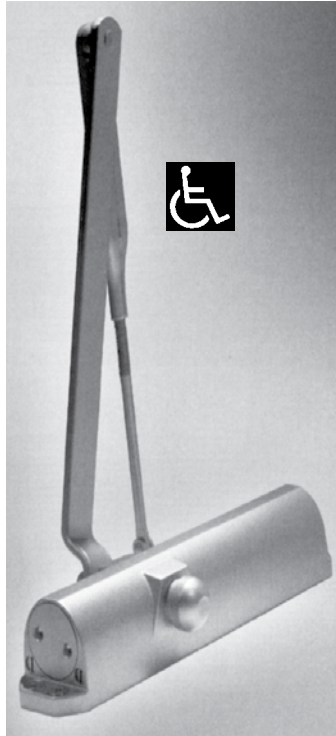
Order #	Item #	Catalog Price
231-3120	PH-ARM 689	\$184.60



7400 Series Closers . . .

Modern Styling and versatility, While Providing Safe and Reliable Door Control.

- 7414 with adjustable spring sizes 1-4
- 7436 with adjustable spring sizes 3-6
- 7414 meets 5 lb. interior barrier-free applications
- Non-handed for regular, top jamb, and parallel arm applications
- Compact design; Quick and easy to install
- Two noncritical adjusting valves (sweep and latch) with thermostatic properties work to provide consistent closing speeds under a wide variety of temperatures.
- Adjustable backcheck provides cushioning when the door is abusively opened.



Certification:

UL and CUL Listed. Certified to the requirements of ANSI A156.4 Grade 1. Meets requirements for UL10C and UBC 7.2 (1997) for positive pressure. California State Fire Marshall (CSFM) approved. 25 year warranty.

ARP: Round form non-hold open (parallel arm mount)

Order #	Item #	Catalog Price
231-3000	7414 ARP 689	\$178.20
231-3005	7436 ARP 689	175.50
231-3010	7414 ARP 695	178.20
231-3015	7436 ARP 695	175.50

Friction Hold Open Arm (For 7400, 8600, 8900)

Provides a hold open function between approximately 90° and 180° of door opening (conditions permitting). Arm is non-handed.

FH - Friction hold open arm complete (0" - 4" reveal)

FHP - Friction hold open arm complete (Tri-Pack) (0" - 4" reveal).

Order #	Item #	Catalog Price
231-3110	FHP-ARM 689	\$131.30
231-3115	FH-ARM 689	123.50



8900 Series Heavy-Duty Closer

10 million cycle closer represents the latest in door control technology.

- Barrier-free requirements - adjustable size 1-6
- Backcheck feature



prevents uncontrolled opening of the door by providing an intensity adjustable hydraulic cushioning.

- Backcheck positioning valve to maintain effective backcheck range on parallel arm applications.
- Designed to minimize change in closing speed during severe temperature changes
- Tamper-resistant valve adjustments, including backcheck positioning, accessible with the closer installed.
- non-handed for regular, top jamb, and parallel arm applications
- Heavy-duty aesthetically pleasing, and easy to adjust steel arm assembly
- Impact resistant, full plastic cover standard
- SN1 sex nuts for 1-3/4" thick doors included

AF89P: Flat form non-hold open (parallel arm mount)

Certification: UL and CUL listed. ANSI A156.4 Grade 1. ANSI A117.1 and ADA for barrier-free accessibility. CSFM approved.

Order #	Item #	Catalog Price
231-3040	8916 AF89P x 689	\$310.50
231-3045	8916 AF89P x 695	310.50

Conversion Plate for 8900 Series

Utilizes LCN 4040 holes for attaching Dorma closer. Requires drilling and tapping frame.

Order #	Item #	Mount	Cat. Price
231-3125	4040R	Regular 120°	\$54.60
231-3130	4040P	Parallel 180°	54.60



Don't see what you are looking for? Give us a call: 800-282-2837. Prices may not reflect recent price increases or manufacturer's surcharges.



8000 Series Exit Devices

With Deadlocking latch Bolts Minimize Forced Entry while Offering a Low-Cost Solution to Life Safety Requirements.

The touchbar, rail assembly and integral parts are constructed of solid steel with covers and end caps developed from high-impact ABS thermoplastic.

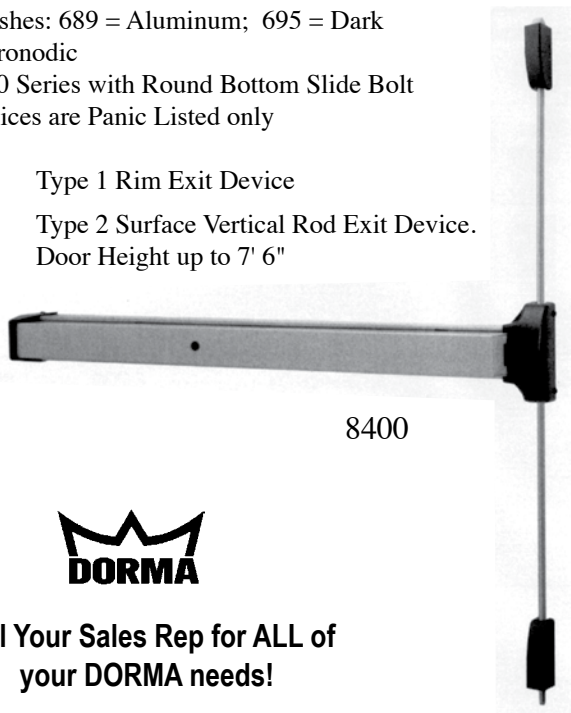
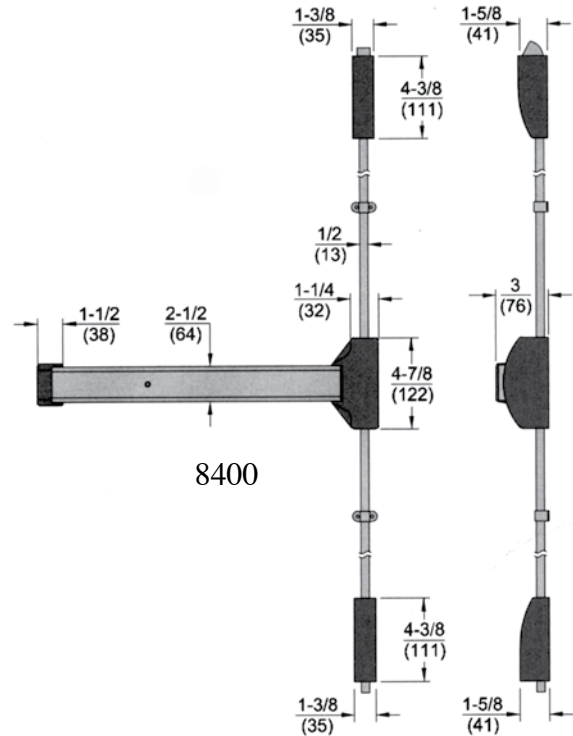
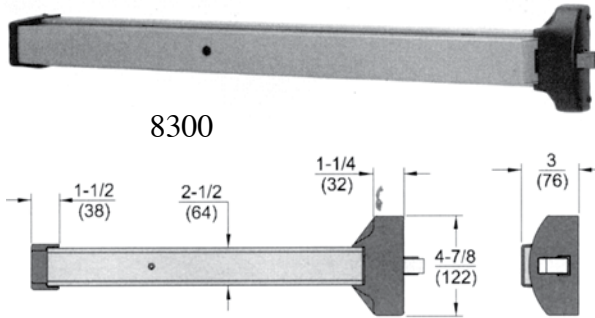
Certification:

Dorma 8000 Series is listed by U.L. and C.U.L. under their continuing reinspection programs and conforms to standard UL 10C and UBC 7-2 (1997) positive pressure testing. Certified to the requirements of ANSI/BHMA A156.3 for grade 1 exit devices.

- Size "B" Doors, 28" to 36" Wide, Wood or Steel
- Door Thickness: 1-3/4" to 2"
- 8300 Non Handed; 8400 Handed but Field Reversible
- Finishes: 689 = Aluminum; 695 = Dark Duronodic
- 8400 Series with Round Bottom Slide Bolt
- Devices are Panic Listed only

8300: Type 1 Rim Exit Device

8400: Type 2 Surface Vertical Rod Exit Device. Door Height up to 7' 6"



8400



Call Your Sales Rep for ALL of your DORMA needs!

Rim Exit Only Device (no trim)

Order #	Item #	Cat. Price
231-2065	8300B x 689	\$350.00
231-2070	8300B x 695	350.00
231-2075	8400B x 689	560.00
231-2080	8400B x 695	560.00





9000 Series Heavy Duty Exit Devices

Provide Superior Durability for High Impact Applications such as schools, universities, and other institutional or commercial buildings.

Certification:

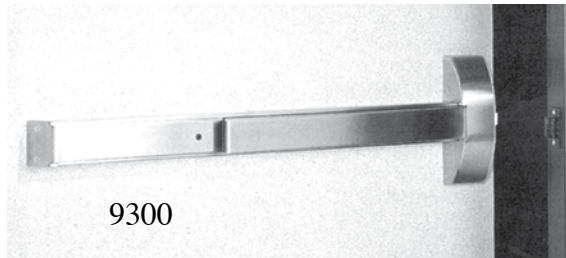
Dorma 9000 Series is listed by U.L. and C.U.L. under their continuing reinspection programs and conforms to standard UL 10C and UBC 7-2 (1997) positive pressure testing. Certified to the requirements of ANSI/BHMA A156.3 for Grade 1 exit devices.

- Size "B" Doors, 28" to 36" Wide for wood or steel doors, touchpad 18-5/8"
- Devices are panic listed only
- Door height up to 8'
- Door Thickness: 1-3/4" to 2-1/4"
- Finishes: 613: Oxidized Satin Oil Rubbed Bronze
630: Stainless Steel Satin
689: Aluminum Sprayed
695: Dark duranodic
- 9400 Series with Round Bottom Slide Bolt
- Devices are Panic Listed only

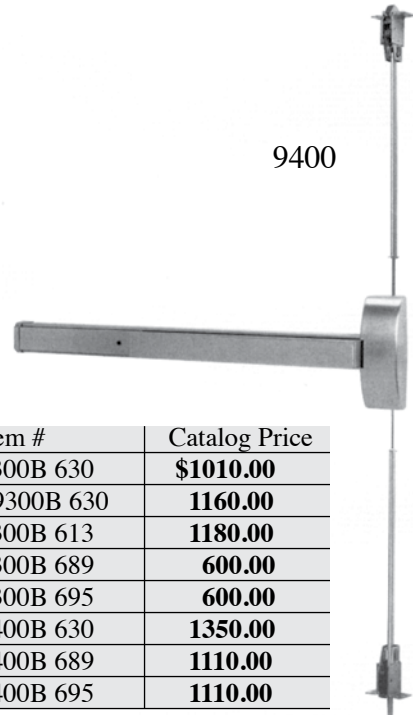
9300: Type 1 Rim Exit Device

9400: Type 2 Surface Vertical Rod Exit Device.

"F" Prefix designates UL Listed for Labeled Fire Doors

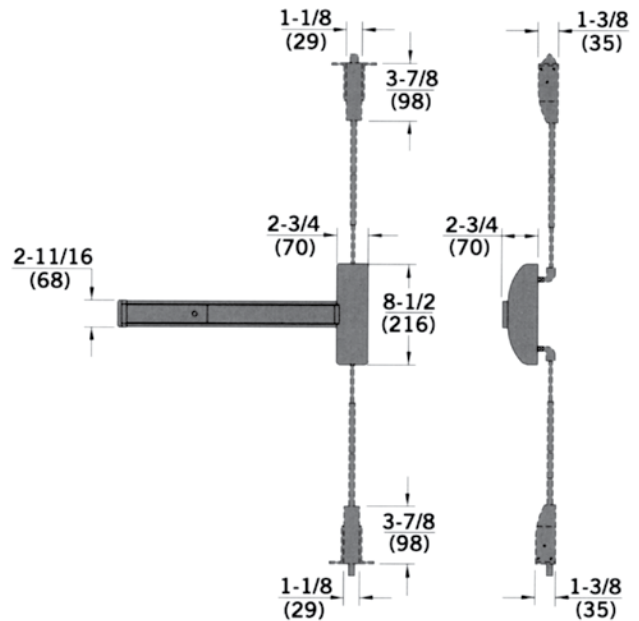


9300



9400

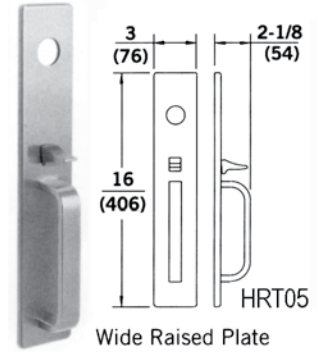
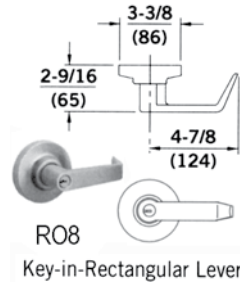
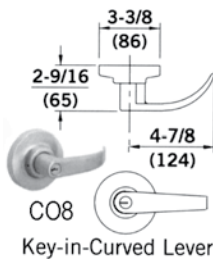
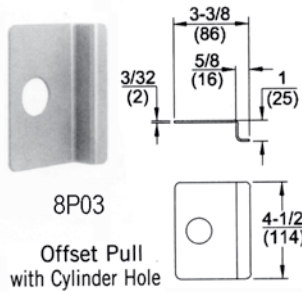
Order #	Item #	Catalog Price
231-2000	9300B 630	\$1010.00
231-2005	F9300B 630	1160.00
231-2010	9300B 613	1180.00
231-2015	9300B 689	600.00
231-2020	9300B 695	600.00
231-2025	9400B 630	1350.00
231-2030	9400B 689	1110.00
231-2035	9400B 695	1110.00



Don't see what you are looking for? Give us a call: 800-282-2837.
Prices may not reflect recent price increases or manufacturer's surcharges.



Exit Device Trim



9000 Series Trim

Key in Curved Lever.

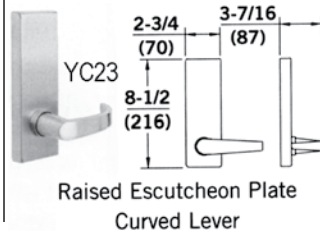
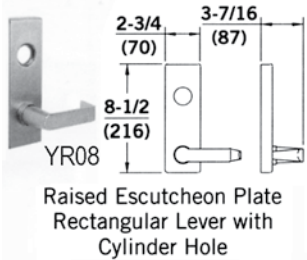
08 Function (see below for function description)

Order #	Item #	Catalog Price
231-2085	C08 x 626	\$305.00

08 Function:

Entrance by lever. Key locks or unlocks lever. .

Order #	Item #	Catalog Price
231-2090	R08 x 626	\$305.00
231-2095	(U)R08 x 613	305.00



Wide Raised Plate Rectangular Pull

with Thumbpiece and Cylinder Hole. 05 Function: Entrance by thumbpiece. Key locks or unlocks thumbpiece. Cylinder not included

Order #	Item #	Catalog Price
231-2040	HRT05 630	\$210.00

Raised Escutcheon Plate Rectangular Lever

with cylinder hold. 08 function: Entrance by lever. Key locks or unlocks lever

Order #	Item #	Catalog Price
231-2045	YR08C 630	\$578.00
231-2050	YR08 630	431.00
231-2055	YR08 613	462.00

Exit Device Trim

Key in Rectangular Lever

Offset Pull, with Cylinder Pull

03 Function: Entrance by trim when latchbolt is retracted by key. key removable only when locked. Cylinder not included

Order #	Item #	Catalog Price
231-2100	8P03 x 689	\$105.00
231-2105	8P03 x 695	105.00

Raised Plate with Rectangular Pull

with cylinder hole. Mortise cylinder not included. 03

Function: (See item above)

Order #	Item #	Catalog Price
231-2110	PRS06 x 630	\$189.00

Raised Escutcheon Plate, Curved Lever.

23 Function: Entrance by lever, no cylinder.

Lever always active

Order #	Item #	Catalog Price
231-2060	YC23 630	\$326.00

FALCON

Falcon
Monarch
Dor-O-Matic

Surface Door Closers SC SERIES

Designed to meet the most common installation and application requirements in the commercial marketplace. For renovation, retrofit, and new construction.

- Two separate hydraulic valves control the closing motion of the door.
- Closing force of closers can be increased by 15% using the power adjustment feature of the regular arm shoe.
- The operating swing of the door is controlled with a separate adjustable backcheck function.

Provided with fasteners for wood, hollow metal, and aluminum doors and frames.

Can be templated to allow a full 180° opening swing.

Fit the 1-3/4" face frames and narrow top rails common on many aluminum storefront doors.

Certified ANSI Standard A156.4, Grade 3.

Suitable for lightweight interior doors and are preset.

They meet ADA accessibility requirements.

689 Aluminum finish

695 Dark Bronze

Regular, with Parallel Arm, No cover.

Order #	Item #	Catalog Price
229-1091	SC-91 689	\$118.08
229-2091	SC-91 695	118.08

229-1094	SC-94 689	118.08
229-2094	SC-94 695	118.08

Certified ANSI Standard A156.4, Grade 1.

Without Cover, Reg with parallel arm

Suitable for interior doors up to 48" wide and can be adjusted to meet the ADA accessibility requirements.

Order #	Item #	Catalog Price
229-1061	SC-61 689	\$170.88
229-2061	SC-61 695	170.88

Grade I With Cover

229-1081	SC-81 689	226.56
229-2081	SC-81 695	226.56



Dor-O-Matic/Falcon



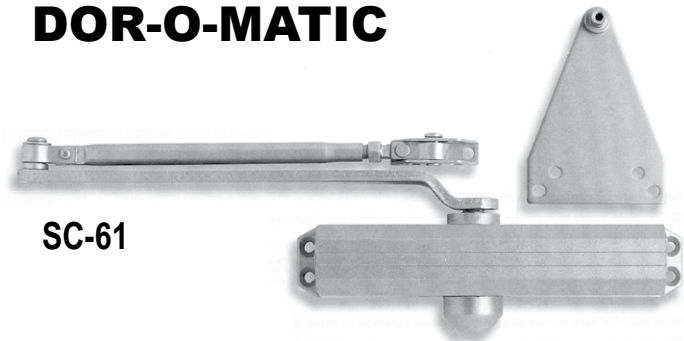
Don't see what you are looking for? Give us a call: 800-282-2837.
Prices may not reflect recent price increases or manufacturer's surcharges.

[Main Contents](#)

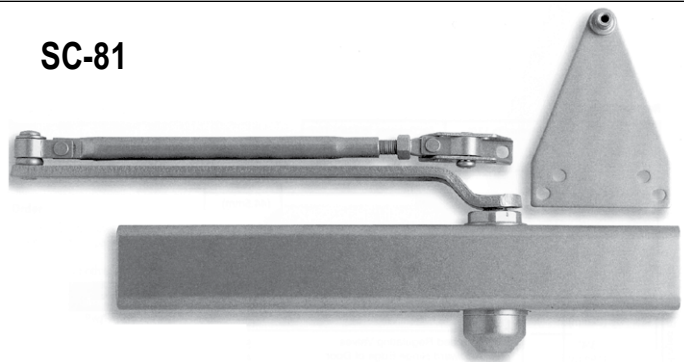
[Index- This Section](#)

[ORDER](#)

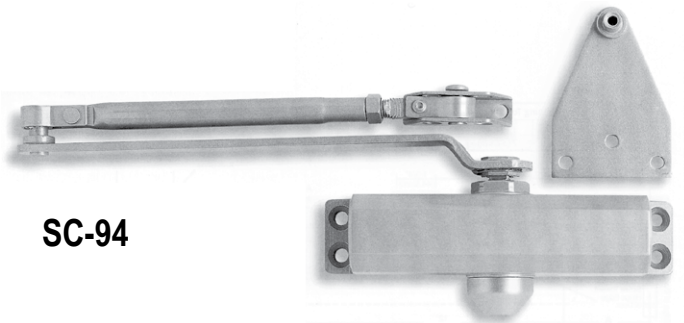
DOR-O-MATIC



SC-61



SC-81



SC-94

SC61 and SC81 Closers are suitable for interior doors up to 48" wide and meet the maximum opening force requirements of the ADA law when installed on a 36" wide nonfire-rated interior door.

SC91 Closers are suitable for lightweight interior doors and meet the maximum opening force requirements of the ADA law when installed on a 36" wide nonfire-rated interior door

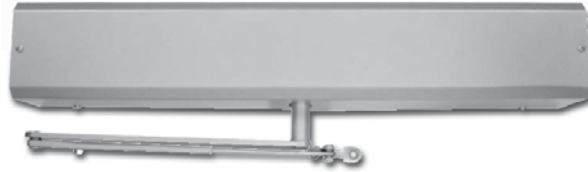
SC94 Closers are suitable for interior doors from 36" to 48" wide and exterior doors to 36" wide.

Pinion Cam for Dor-O-Matic Exit Devices

229-1000	PB5	\$113.40/ pack of 10
----------	-----	-----------------------------

FALCON

8200 Series Automatic Operators

The better looking, less expensive and easier to install automatic operator that fits everywhere.

When you need a smart solution to improve accessibility the new Falcon 8200 Series fits perfectly. Designed for applications like assisted living and ambulatory care – where ease of use is critical – the Falcon automatic operator provides smart and sensitive performance at an affordable price point.

A slim, sleek profile

Unlike most competitors' automatic operators, the 8200 Series has a smaller footprint and lower profile, or clean lines and an attractive look on the door. A standard aluminum finish suites easily with other door hardware.

Ready to go right out of the box.

Everything that's needed to install the 8200 Series is packed in the box and ready to go. Because there are fewer screws and parts, installation is quicker and easier than with other automatic operators. The one-piece mounting bracket eliminates the need for end caps, further reducing installation time.

Makes automation possible for more openings.

Only the Falcon 8200 Series has been specially designed to fit in low to moderate traffic applications at an entry-level price point. This makes it easier and more affordable to configure accessible openings throughout a facility.

Adjustable features:

- Hold-open time delay
- Backcheck speed
- Backcheck/latch position
- Opening/closing speed

Designed to fit perfectly.

The small footprint and elegant design make it a perfect solution for a range of applications.

- Assisted Living
- Hospitality
- Retail
- Small Office
- Restaurants
- Ambulatory care

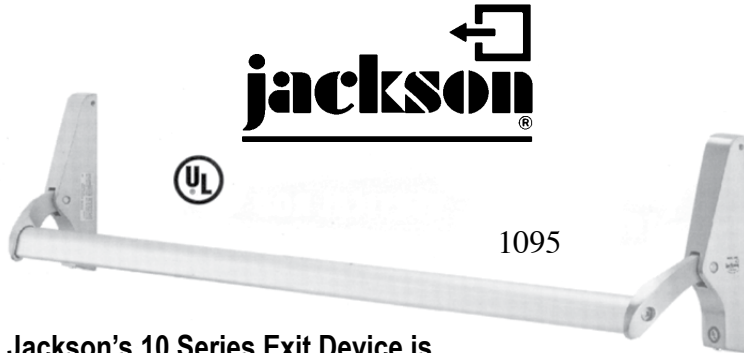
Standard features for easy operation.

Engineered to be quick and simple to install, the Falcon automatic operator includes a host of standard features that you can use to customize every opening.

- **SmartLatch** – Senses and overcomes external pressure conditions with a graduated energy assist for secure latching.
- **Push 'n' Go** – Selectable feature allows door to open automatically as soon as it feels pressure.
- **Open Position Learning** – Automatically sets the opening position to eliminate wall and door damage.
- **Obstacle Obstruction Detection** – Safety feature stops and reverses door direction when distress or an obstruction is sensed.
- **Pre-Load Strike Assist** – Removes load on strike lip with a one second delay allowing the door to release and automatically open.
- **LED Light Illumination** – Light illumination on control box signals accurate installation and helps with connection diagnosis
- **On Board Power Supply (12 VAC)** – Powers the accessories without the need to install an external power supply

Order #	Item #	Catalog Price
285-8231	8231 689 PULL	\$1595.16
285-8242	8242 689 PUSH	\$1595.16

 **Ingersoll Rand**
Security Technologies



jackson
 1095

Jackson's 10 Series Exit Device is universally recognized as the standard for aluminum storefront hardware.

Dual dogging feature: By outside cylinder, by dogging pins beneath housing.

Concealed fasteners for added security

UL Listed for Panic Hardware.

Body and Arm: High Tensile Strength Aluminum. Dark Bronze (DBZ313) and Satin Aluminum (US28)

1085 Concealed Vertical Rod

For 1-3/4" thick Narrow, medium, & Wide Stile Aluminum Doors.

FEATURES:

- Non-handed
- Independent top and bottom bolt action 1/2" bolt throw
- Trigger action, positive bolt release
- Adjustable bolt guides allow bolt adjustment with door installed
- Requires No. 30-821J Cylinder mounting pad when using mortise cylinder for keyed entry
- Uses standard mortise cylinder with MS type came (CYLINDER NOT INCLUDED)
- Foam rubber silencers to quiet rod operation.
- Crossbar mounting height 36-1/2" from bottom of door.
- Rod length shipped standard for 7/0 high doors.

Misc Parts & Options.

Order #	Item #	Description	Price
410-0085	30-758 US28	"S" Surface Mounted Strike	\$135.36
410-0090	30-732 US28	"C" Surface Mounted Roller Strike	91.72
410-0095	30-320 US28	Bottom Bolt Guide Assembly	25.98
410-0100	30-824 US28	Trip Bracket Package	24.52
410-0105	30-934 US28	Top Bolt Guide Assembly	49.08
410-0110	30-1409	Body Hardware Package	46.18
410-0115	30-852	Back Plate Hardware Package	51.96
410-0120	30-821J	DBZ313 Cylinder Mounting Pad for 1085, less cylinder	50.64
410-0125	30-821J	US28, Cylinder Mounting Pad for 1085, less cylinder	50.64

1095 RIM EXIT DEVICE

Product shipped for use with aluminum or hollow metal doors.

FEATURES:

- Handed - Not Reversible
- Uses standard rim cylinder for keyed entry - mounting pad not necessary (CYLINDER NOT INCLUDED).
- Dual function operation - Field Selectable
 - Standard: Key removable in unlocked position
 - Optional: Night Latch function (Key removable in locked position only)
- Adjustable Strike Options:
 - Surface Mounted Roller Strike: Type "C" (Standard), No. 30-732
 - Surface Mounted for use with Applied or Blade Stop: Type "S", No. 30-758

Rim Exit Device.

Order #	Item #	Catalog Price
410-0005	1095-R-C-4-7-US28 RHR	\$319.24
410-0010	1095-R-C-4-7-US28 LHR	319.24
410-0015	1095-R-C-4-7-DBZ313 RHR	319.24
410-0020	1095-R-C-4-7-DBZ313 LHR	319.24

1095-P



Rim Exit Paddle Device.

410-0025	1095-P-R-C-4-7-US28 RHR	\$337.48
410-0030	1095-P-R-C-4-7-US28 LHR	337.48
410-0035	1095-P-R-C-4-7-DBZ313 RHR	337.48
410-0040	1095-P-R-C-4-7-DBZ313 LHR	337.48

Concealed Vertical Rod, reversible

410-0045	1085-C-4-7-US28	\$347.88
410-0060	1085-C-4-7-DBZ313	347.88

Body Only

Less Rod and Case for 10 Series Retro-fit

410-0065	31-1285R-RHRB-3-US28	\$432.00
410-0070	31-1285R-LHRB-3-US28	432.00

Dogging Pin Assembly

410-0075	30-1117 US28	\$117.78
410-0080	30-1117 DBZ313	117.78



Don't see what you are looking for? Give us a call: 800-282-2837.
 Prices may not reflect recent price increases or manufacturer's surcharges.

LCN

LCN

Benchmark ADA Access Operators

Benchmark ADA Access Operator

The Ideal Choice for ADA Compliance

- A modern, sleek design cover.
- Fully compliant with UL 325 and ANSI A156.19
- Can be used either manually or automatically
- Does not require additional safety devices
- UL listed for fire-rated applications
- On/Off switch included as standard
- An easy to install self contained unit
- All electromechanical unit

Standard Features

- Push 'N Go - for automatic requirements without the added expense of optional activation accessories.
- Auto Reverse on opening cycle-provides safety by reversing direction when coming into contact with an object.
- Adjustable Opening Speed - determines varying opening speeds all within specified ANSI guidelines & ADA codes.
- Adjustable Backcheck - saves additional money by eliminating the possibility of damage to door trim and/or walls.
- Adjustable Latching Position - offers the ability to use Benchmark on either an interior or an exterior door.
- Adjustable Time Delay - maximum field condition flexibility.



Finishes:
689: Aluminum
695: Dark Bronze

Single Door

Order #	Item #	Price
229-0010	BMK 9142 689 Standard Push	\$2772.00
229-0020	BMK 9131 689 Standard Pull	2772.00
229-0030	BMK 9142 695 Standard Push	2474.88
229-0040	BMK 9131 695 Standard Pull	2469.12

See BEA in Section 6 for accessories

ADA Accessibility Force Gauge



LCN

A reference tool that can be

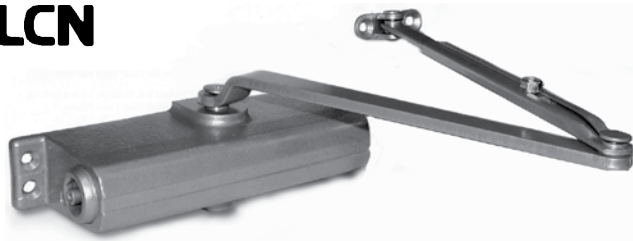
used to measure the opening and closing force on door openings in order to meet ADA requirements.

- Up to 35 lbs of compressive force measurement makes it suitable for a wide range of applications
- Compact Size makes it easy to store and transport - can be put in a tool box, desk drawer, or a shirt pocket.
- Quick measurement - takes only seconds per door.
- Cost-effective • Device is for reference only.

Includes: ADA Accessibility Gauge, Protective clear plastic tube with plastic end cap, Instruction sheet.

Order #	Item #	Catalog Price
460-1000	LCN ADA/FG	\$82.60

LCN



The New 1260 Cast Iron Closer
Tough, versatile, and built to give you more.

Introducing the perfect mix of performance and durability, the 1260 Series closer from LCN. Its cast iron construction delivers unparalleled strength and longevity, and its versatile design means the 1260 works almost everywhere.

Only LCN cast iron closers deliver smooth closing and a stronger overall door system. Designed for low to moderate traffic in both interior and exterior applications, the 1260 is ideal for office buildings, hotels, manufacturing facilities, retail shops, and other light commercial uses.

Designed to retrofit perfectly or meet the needs of new construction.

- Advanced V-Shield Seal for longer life and durability
- Standard powder coat finish
- Meets ADA requirements
- Tested and certified under ANSI A156.4, Grade 1
- Regular & Parallel Arms
- Non-Handed, Non-Sized
- With Thru-Bolts

Spring Adjust: Fits sizes 1-5, minimizing inventory
End Regulation
Fast, easy installation.

Comes with a simple peel-n-stick template that you can apply right to the door for quick, easy installation that's right the first time.

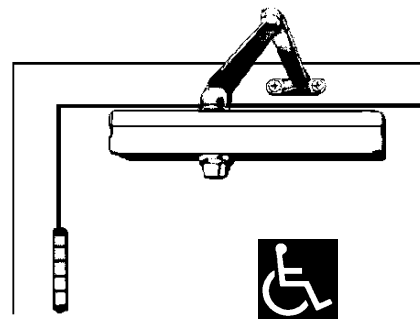
Order #	Item #	Catalog Price
460-1261	1261 RW/PA 689TB Alum	\$194.40
460-1262	1261 RW/PA 695TB Dk Bronze	194.40

For the 1260 Door Closers

689: Alum. 695: Duro

Order #	Item #	Description	Price
460-1263	1260-72 689	Cover	\$12.00
460-1264	1260-72 695	Cover	12.00
460-1265	1260-18QF	Quick Fix Kit	50.40

Quick-fix Kit for easy retrofit solutions.



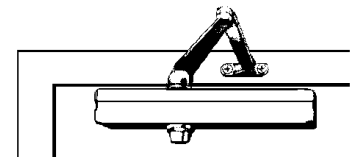
Super Stock® Closer

Non handed, non-sized. 1461 Series

Adjustable hydraulic back-check provides cushioning of opening swing prior to 90°. Heavy-duty forged main arm. Cast-iron cylinder. Full rack & pinion hydraulic action. Joints in arm & shoe adapt to uneven trim. UL Listed. ANSI certified, ANSI A156.4 Grade 1. Door closers supplied with Thru-Bolts. Aluminum finish.

1461: Adjustable from size 1 thru 4. Engineered for interior barrier free applications. Meets the 5 pound opening force requirement on 36" doors. On exterior 36" doors, meets 8 pound opening force requirement.

Order #	Item #	Price
460-1461	LCN 1461-TB-AL.	\$344.40
460-1462	LCN PA1460-TB Dark Bronze	344.40



1461 Door Closer

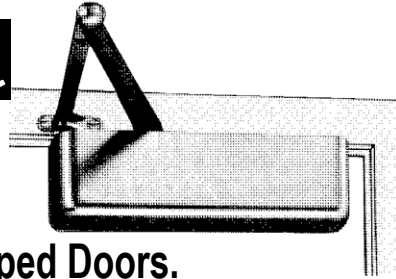
Non-handed, non-sized door closer with through bolts. Aluminum finish. Hold open, with 62PA arm.

Order #	Item #	Cat. Price
460-1463	1461 AL HW/PA AL TB	\$372.00



Don't see what you are looking for? Give us a call: 800-282-2837.
Prices may not reflect recent price increases or manufacturer's surcharges.

LCN 4041
Super Smoothee



For Handicapped Doors.

Non-handed. Spring power adjustable at the job site, from size 1 through 6, to handle small & large doors with exact power required. W/Combo Kit.

Heavy duty door closer engineered with lowered spring power (can be set below 5 lbs. to meet many interior barrier free requirements) to provide easier opening for the handicapped. Identical in appearance & size to the 4040. Aluminum-TB (With through bolts), Includes parallel arm & Combo Kit.

Order #	Item #	Catalog Price
460-4041	LCN 4041	\$435.60

Order #	Price	Item
460-4240	\$456.40	LCN-4041-EDA-TB Aluminum, Extra duty solid forged parallel arm with thru bolts.
460-4140	\$486.00	LCN-4041H. Hold-open, Aluminum finish. With through bolts

Drop Plate. Required for narrow transom bars.

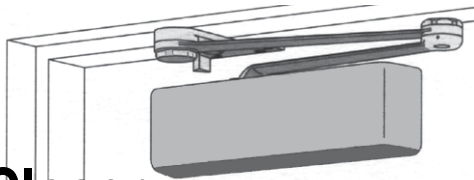
460-4045	LCN-4040-18PA	\$64.40
----------	---------------	----------------

Parallel Arm Shoe Aluminum.

460-4062	LCN-4040-62PA	\$14.70
----------	---------------	----------------

Hold Open Cush Arm

Order #	Item #	Catalog Price
460-3049	4040-3049CNS Alum	\$244.80



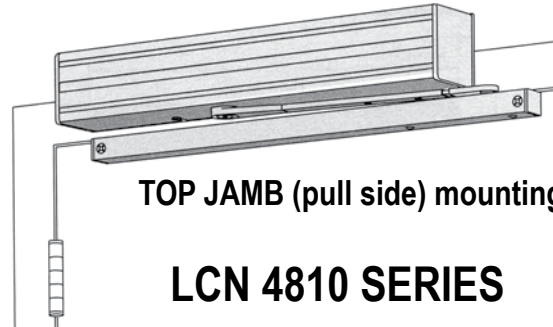
Door Closer

Handicapped, Adjustable Closer with TB (Thru Bolts) Aluminum Finish. Handed.

Order #	Item #	Price
460-4110	4111EDA AL LH	\$426.00
460-4111	4111EDA AL RH	\$426.00

LCN

Pneumatically Powered Door Closers



TOP JAMB (pull side) mounting

LCN 4810 SERIES

The 4810 AUTO-EQUALIZER™ is LCN's pneumatically powered MULTI-DOOR solution. This low-energy power operator provides easy access for people with disabilities, the elderly, or the frail. Designed primarily for manual opening applications that occasionally require automatic opening.

- Ideal for multi-door applications since cost per door leaf decrease significantly as the number of door leaves increases.
- Standard, plate mounted closer shipped with single lever (standard) arm, metal cover, standard track, and wood and machine screw pack.
- Meets ADA requirements
- Non-sized cylinders for interior doors to 4'0" and exterior doors to 3'0".
- Non-handed
- Requires Control Boxes with integral compressor on Control Box using auxiliary air supply.
- Utilizes a 10 million cycle heavy duty door closer
- Quiet, Efficient, and Reliable.
- No Guard Rails/Safety Mats Required
- Maximum Opening: Templating allows 90° power opening and 170° manual opening

Non-sized and is adjustable from size 1 through size 4; shipped set to size 3. Closing power may be increased 50%

Order #	Item #	Catalog Price
460-4020	4811 689	\$1753.20

LCN

Pneumatic Tubing. Priced per foot

Order #	Item #	Catalog Price
460-7000	7910-925	\$2.10/ft

LCN

Electrically Powered Door Closers

TOP JAMB (pull side) mounting



LCN 4630 SERIES

The 4630 AUTO-EQUALIZER™ is LCN's SMART & RELIABLE electrically powered low-energy power operator. It provides easy access for people with disabilities, the elderly, or the frail. Designed primarily for manual opening applications that occasionally require automatic opening.

- Standard, top jamb (pull side) mounted closer shipped with single lever arm, metal cover, standard track, and wood and machine screw pack.
- Meets ADA, Section 4.13.12 requirements
- UL and ULC listed with standard arm for self-closing doors and meets the provisions of ANSI Standards A117.1, A156.19.
- Non-sized cylinders for interior doors to 4'0" and exterior doors to 3'0".
- Non-handed for either right or left swinging door.
- Easily accessible switches provide on/off and continuous hold open functions. Control module provides all timing and sequential door functions, electric strike controls and adjustments for opening speed and force.
- Utilizes a 10 million cycle heavy duty door closer
- On board diagnostics; On board power supply; 120V
- Factory Default Memory; Plug and Play Connections
- No Destruct Feature; No guard rails or safety mats required.
- Maximum Opening: Templating allows 90° power opening and 170° manual opening

Non-sized and is adjustable from size 1 through size 4; shipped set to size 3. Closing power may be increased 50%

Order #	Item #	Catalog Price
460-4000	4631 689 Alum	\$5368.80

TOP JAMB (push side) mounting



LCN 4640 SERIES

SAME AS 4630, Except:

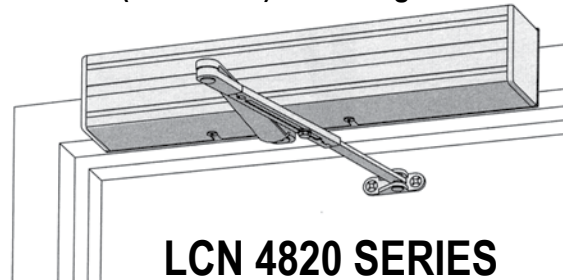
- Standard, top jamb (push side) mounted closer shipped with single regular arm, metal cover, standard track, and wood and machine screw pack. 120V.
- Maximum Opening: Templating allows 90° power opening and 100° manual opening
- Non-sized cylinders for interior doors to 4'6" and exterior doors to 3'6".

Order #	Item #	Catalog Price
460-4010	4642 689 Alum	\$5314.80

LCN

Pneumatically Powered Door Closers

TOP JAMB (Push side) mounting



LCN 4820 SERIES

SAME AS 4810 Series (Next Page), Except:

- Maximum Opening: Templating allows 90° power opening and 100° manual opening
- Non-sized and is adjustable from size 1 through size 4; shipped set to size 3. Closing power may be increased 50%

Order #	Item #	Catalog Price
460-4030	4822 689	\$1699.20



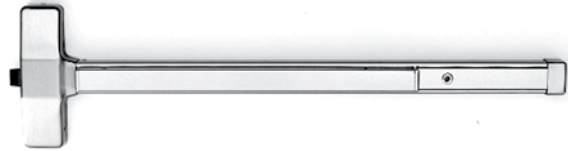
Don't see what you are looking for? Give us a call: 800-282-2837.
Prices may not reflect recent price increases or manufacturer's surcharges.

FALCON Falcon
Monarch
Door-O-Matic

Panic Exit Hardware

The Monarch 18-R Series Rim Device is produced to meet the demanding requirements of higher traffic installations.

This device is a single point, rim type latch with a modern pushbar design.



MONARCH



Device is set up to work with the 812L Dane Lever.

Not included, available by special order.

Specifications

Hand:	Non-Handed.
Functions:	All functions built into "BA" (basic assembly) device.
Strikes:	570 adjustable strike standard. 565, 490, 579 and 571/571A optional.
Latchbolt:	Stainless steel, 3/4" throw.
Dogging Feature:	1/2 turn cam dogging standard. No threaded parts to wear out.
Size:	2'7" to 3'0".
Doors:	1-3/4" thick, wood or metal. Specify thickness if other than 1-3/4".
Projection:	2-3/8" maximum, 1-7/8" dogged.
Mounting Height:	40-1/4" from CL to finished floor.
Electric Function:	Can be interfaced with building security systems, latch retraction, lock/unlock, security monitoring, electric dogging, exit indicator, latch retract indicator, delayed egress and exit alarm available. (See separate electrical brochure @ monarch.com).
Fasteners:	All mounting screws are concealed. Sheet metal screws standard. Machine screws available, specify AMS.
Sex Bolts:	1-#4122 (1/4-20) SNB supplied standard. When device is used with hollow core wood, composite or light gauge Hollow Metal doors, specify 4-#2729 (10-24) SNB. When through-bolted trim is used, 1-#4122 (1/4-20) SNB supplied standard.
ANSI:	Certified ANSI A156.3-2001 Grade 1 standards.
Chassis & Working Parts:	Chassis is pressure die cast aluminum with heavy wrought, forged, investment cast and sintered metal parts.

Order #	Item #	Catalog Price
585-2000	18RL-DL 32D	\$839.94

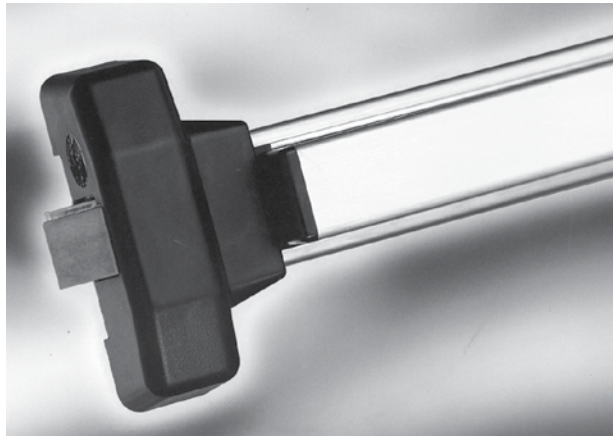
FALCON

FALCON Falcon Monarch Dor-O-Matic

Monarch

FALCON

Touch Bar Device



- UL listed for accident hazard.
- Covers # 161 stock prep.
- Reversible
- Deadlocking standard.
- Stainless steel latchbolt
- Supplied with sexbolts
- Monarch cam operated dogging standard.
- Can be mounted on Narrow Stile aluminum doors. MAL for Aluminum. M13 for Brown.

SHORT: Fits standard doors 2'5" to 3'0"
Fits narrow stile doors 2'4" to 2'9"

LONG: Fits standard doors 2'11" to 4'0"
Fits narrow stile doors 2'10" to 3'9"

EXIT ONLY.

Order trim at right.

Order #	Item #	Length	Price
585-0019	19-R-BA MAL	Short	\$264.48
585-0119	19-R-BA M13	Short	264.48
585-1019	19-R-BA MAL	Long	296.60
585-1119	19-R-BA M13	Long	296.60

Furnished without outside trim.
 Trim listed in next column.

Monarch Trim for #19 Exit Device

#19 Exit Devices are now "Exit-Only" right out of the box. Other functions can be created by adding trim listed below.

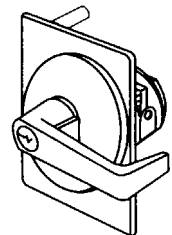


1906
T-Control
 less cylinder

\$103.94

Order #	Item #	Description
585-0010	1906 M-AL	T-Control (active) thumbpiece
585-0015	1906 M-13	T-Control (active) thumbpiece

Key-In Lever Trim for 19 Series Devices.



- Fits 161 Cutout. Covers over standard 2-1/8" cutouts.
 - Minimal preparation, 2 holes.
 - Satisfies Codes. ADA; Life Safety; Fire.
 - Meets or exceeds ANSI requirements for Grade 1 Lever Lock.
- Dimensions:** 4-7/8" lever. 2-5/8" x 5" oval rose. 2-3/4" projection.

Wt: 30 ozs. 6-Pin Schlage "C" cylinder. Keyed-different. . Non-handed.

Key Retracts Lever. Entry/Classroom

Order #	Item #	Price
585-0020	914 KIL-STD-LHR-26D	\$173.22

Key retracts lever. Storeroom \$205.00 ea.

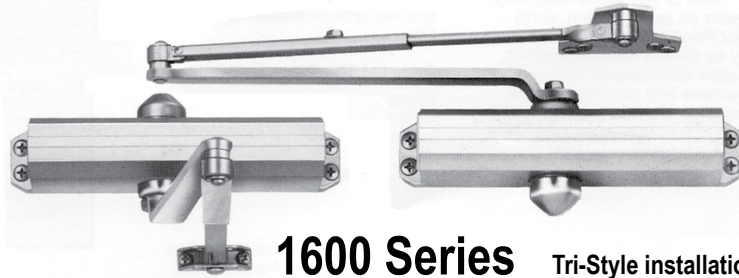
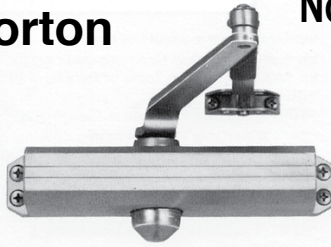
Order #	Item #	Hand
585-0035	914 KIL-NL-26D	Reversible



Don't see what you are looking for? Give us a call: 800-282-2837.
 Prices may not reflect recent price increases or manufacturer's surcharges.

Norton

Norton Door Closers



1601 Series

Complies with requirements of Americans with Disabilities Act (A.D.A.) and ANSI Standard A156.4 Grade 1.

- **Multi-Size Power:** Closer spring assembly can be adjusted thru a wide power range. (3/16" Hex wrench needed.)
- **Tri-Style Installation:** Regular arm, top jamb, or parallel arm.
- **Non-Handed;** Rack and Pinion Operation.
- **Booster Spring:** Specially designed booster spring is engineered into each unit to provide additional and necessary closing force for doors which travel beyond 110° of swing.
- **Adjustable Sweep Speed;** Adjustable Latch Speed; Aluminum (AL) or Dark Statuary Bronze (STAT) Finishes. Uses 9" x 3/4" mounting hole pattern.

"H" after Item # denotes Hold Open feature.

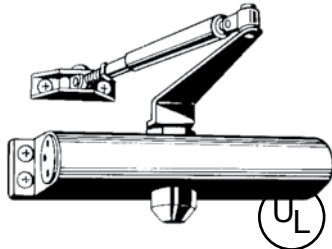


• **Closer Size: Adjustable from 1 thru 4.**

Order #	Item #	Finish	Price
630-5000	1601BF	-AL	\$209.00
630-5005	1601BF	-STAT	209.00
630-5010	1601HBF		239.80
630-5015	1601HBF	STAT	239.80

Norton

Compact Regular Arm



Non-Hold Open, Top Jamb, Reversible. \$158.40 ea

Order #	Item	Finish	Size
404-5031	9303	Alum	Size: 3
404-5032	9303	Duro	Size: 3
404-5041	9304	Alum	Size: 4
404-5042	9304	Duro	Size: 4

1600 Series

Tri-Style installation

Versatile closer packaged for regular arm, top jamb or parallel arm installation. **ALUM**inum or **STAT**uary bronze. "H" denotes Hold-Open.

Order #	Item #	Size	Finish	Price
630-1603	1603	3	ALUM	\$209.00
630-1604	1604	4	ALUM	\$209.00
630-3604	1604	4	STAT	\$209.00
630-2604	1604H	4	ALUM	\$239.80
630-1605	1605	5	ALUM	\$209.00
630-3605	1605	5	STAT	\$209.00
630-1606	1606	6	ALUM	\$209.00
630-3606	1606	6	STAT	\$209.00

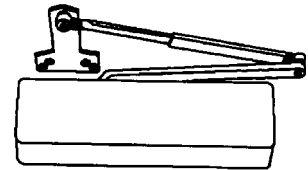
Adaptor Plate Package for 7500 Series Closer

630-7510	RP75-M2020 689	\$54.90
----------	----------------	---------

7500BF Barrier Free

Adjustable: Sizes 1 thru 4. Tri-pack.

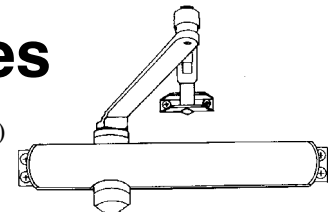
Sex nuts and bolts included.



630-7500	7500BF Alum	\$382.80
----------	-------------	----------

8300 Series

- **Multi-Size Spring** Adjustment (Sizes 2 thru 6)
- **Adjustable Backcheck**
- **Sweep-Speed Control**
- **Latch-Speed Control** • **Non-Handed**
- **Uses 12" x 3/4" mounting hole pattern.**
- **Three-Way Installation Pack**
 1. Regular Arm, 2. Parallel Arm, 3. Top Jamb
- **Slim-Style Cover** • **Low-Opening Resistance**



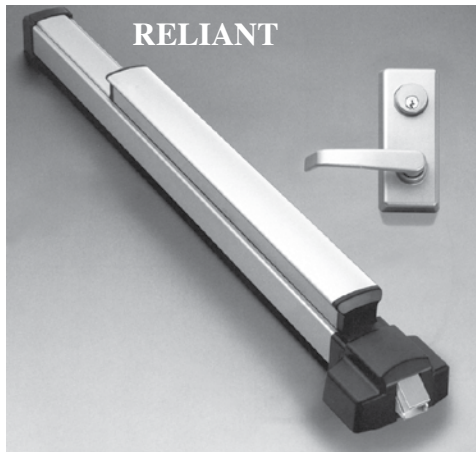
Order #	Item #	Price
630-0100	8301BF Alum	\$288.20
630-0110	8301BF Stat	288.20

PRECISION HARDWARE, INC**Exit Devices and Trim**

All models are available as special order items.
Call for a quote today!

APEX.

The 2000 Series is composed of a contemporary touchbar made for today's demanding architectural requirements. Finely machined parts ensure the smooth and easy operation of the touchbar. The clean, streamlined design of the touchbar and case cover are formed around heavy duty rugged components necessary to withstand heavy traffic and abuse. Apex Devices meet the most stringent needs of the owner and architect. Available in Wide Stile and Narrow Stile with a variety of trims. Vandal Resistant Lever trim is available for the Wide Stile Device.

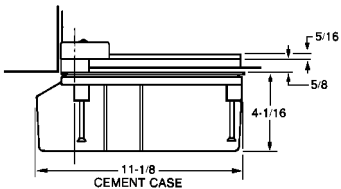
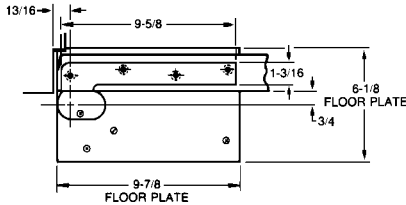
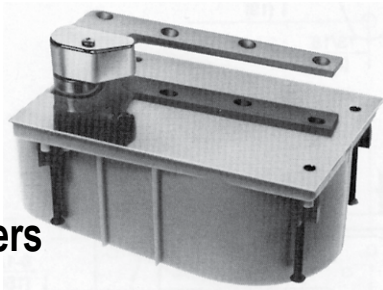
**RELIANT**

The 5000 Series Exit Devices are the choice when an economical and reliable exit device is required. The touchbar and latch mechanism are constructed of solid steel components to achieve consistent and dependable performance for use in various applications. The devices are available as Rim, Surface Vertical Rod and Surface Vertical "Less Bottom Rod". Available with a variety of trim options which allow access from the secure side of an opening. The devices are offered in durable powder coated finishes.

**OLYMPIAN**

Proven durability in a traditional crossbar style device. The case covers protects the rugged components machined to fine tolerances. Consistent reliability and security are assured. Simple installation, minimal maintenance and classic lines are the hallmarks of these traditional devices.

**RIXSON
#27
Floor Closers**



Installs in the concrete beneath the surface of the floor for total concealment. Features a heavy-duty hydraulic mechanism for reliable, consistent performance. 3/4" offset hung to provide a pivot point from the face of the door and 3/4" from the heel edge of the door. For single-acting doors opening in one direction only. Complete with a bottom arm, top pivot, cement case and floor plate. Maximum door weight is 300 pounds. Non Hold Open. Standard hydraulic latch, stroke and backcheck adjusting valve, and built-in positive dead stop to meet ANSI Grade I Standards. 90° opening

hydraulic mechanism for reliable, consistent performance. 3/4" offset hung to provide a pivot point from the face of the door and 3/4" from the heel edge of the door. For single-acting doors opening in one direction only. Complete with a bottom arm, top pivot, cement case and floor plate. Maximum door weight is 300 pounds. Non Hold Open. Standard hydraulic latch, stroke and backcheck adjusting valve, and built-in positive dead stop to meet ANSI Grade I Standards. 90° opening

Order #	Item #	Handing	Price
710-0010	27 N.H.O. US26D	RH	\$1329.60
710-0011	27 N.H.O. US26D	LH	1329.60

Closer Only, less all parts:

710-0020	27 N.H.O. US26D LAP	RH	\$903.60
710-0021	27 N.H.O. US26D LAP	LH	903.60

Other Rixson products available by special order.



SARGENT



2700 Surface Vertical Exit Device

Order #	Item #	Catalog Price
730-4040	12-2727 EN US26D	\$907.20

Lever Trim for 20 Series Exit Device

730-4050	27-C-LL RHR US26D	232.80
730-4045	27-C-LL LHR US26D	232.80

PEN: Rail Finish, Polyester powder coated to match US28

8888 Reversible Rim Exit Device



Doors: Wood or metal, 1-3/4" thick standard.

Hand: Reversible

Dogging: Allen type dogging furnished.

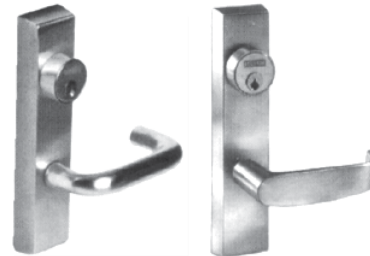
For 32" thru 36" door width. No cutting is required for a 36" door with 4-1/2" minimum stile. Can be cut to fit doors down to 30" wide.

730-4020	8888 US32D	\$1105.20
730-4025	12-8888F US32D UL Fire Rated	1317.60

ETJ

ETL

Lever Trim



Lever Trim for 8888 Exit Device

730-4030	713-8 ETJ US32D	\$481.20
730-4035	713-8 ETL US32D	481.20

SARGENT

**Mullions
for Exit Devices**

12-980 MULLION (96" Maximum)

2" x 3" Channel Iron. Malleable iron top and bottom retainers. Standard length is 96".

U.L. Fire Rated

Order #	Item #	Catalog Price
730-6810	12-980	\$640.80

Top Retainer 98-2190



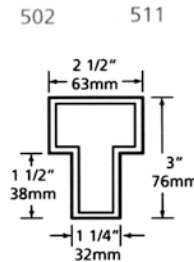
Bottom Retainer 98-2191

**Mullions
for Exit Devices**

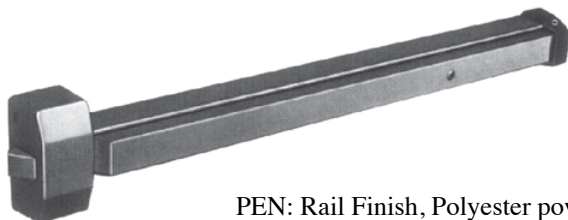
980 Removable Mullion

Prime Coat. Consists of:

- Mullion
- 511 Top Retainer
- 502 Bottom Retainer
- 96" stock size



730-6800	SAR 980 96" PC	\$494.40
----------	----------------	-----------------



PEN: Rail Finish, Polyester powder coated to match US28

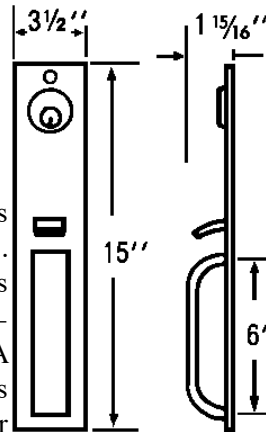
2828 Reversible Rim Exit Device

Order #	Item #	Catalog Price
730-4055	12-2828 EN US26D	\$484.80

SARGENT

**EXIT
DEVICE
TRIM
PACK**

for 9898 Series Rim Exit Devices. Will cover cutouts manufactured in accordance with ASA standards. Trim is thru-bolted to center case with exposed



grommet nuts. With thumb piece, for stock hollow metal doors.

730-3100	98-T-PTB US26D	\$291.60
----------	----------------	-----------------

SARGENT

281 Series Powerglide

They are Grade 1, non handed, one piece cast iron body and carry a 10 year manufacturer guarantee.



The Powerglide is ideally suited for:

- Schools & Hospitals maintaining 'cast iron' specs

Features and Benefits

- * ANSI/BHMA Grade 1 (A156.4) * Meets Buy America Act
- * Conforms to UL10C and UBC for positive pressure fire test
- * Versatile mounting applications permit standard, top jamb, parallel and track installations.
- * UL and CUL listed for use on fire doors.
- * Adjustable spring power of 1 through 6. Adjusted to size 3 before leaving the factory.
- * One door closer body for all applications, non-handed.
- * ADA requirements are met with the 281 model at all applications except track.
- * Standard pressure relief valves, both opening & closing cycles.
- * Self adhesive heavy duty mounting bracket for easy installation without additional paper template.
- * Fits Sargent 250 & 1250 Series hole patterns: easy retrofit.
- * High impact non-corrosive plastic covers standard, metal optional utilizing same templating.
- * Cover secured by machine screws.
- * All weather fluid. * Captivated brass valves.
- * Allen wrench controlled spring adjustment mechanism.

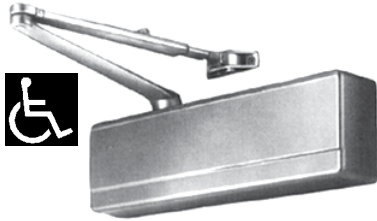
Universal Arm, Delayed Action, Aluminum Finish

Order #	Item #	Catalog Price
730-1281	281 DA EN UO TB	\$409.20

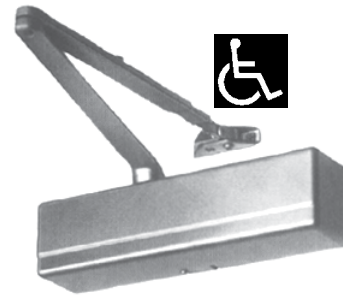


Don't see what you are looking for? Give us a call: 800-282-2837.
Prices may not reflect recent price increases or manufacturer's surcharges.

DOOR CLOSERS



O Arm shown



351 Series

POWERGLIDE DOOR CLOSERS meet ANSI A156.4-1991 Grade 1. UL Listed.

Specifically designed for doors where the opening forces shall be 5 lbs. or less through 90°. The 351 is adjustable up to a size 4 to accommodate various handicap requirements (Factory pre-set to size 1).

Reversible.

Key control adjustment - separate regulating valves for door speed and latching speed.

Aluminum alloy case, high impact cover.

Versatile Mounting Applications. Can be mounted in the standard, top jamb, parallel arm, and track applications.

DA: Delayed Action permits door to close very slowly through the delayed action cycle range.

281 Series

POWERGLIDE Surface Door Closers

- ANSI/BHMA Grade 1 (A156.4)
- Conforms to UL10C & UBC for positive pressure fire test
- UL & cUL listed for use on fire doors
- Versatile mounting application permit standard, top jamb, parallel and track installations
- ADA approved (except track mount)
- Adjustable spring power range of 1-6. Come set to size 3.
- Non-Handed • 10-year warranty
- Standard pressure relief valves for both opening and closing cycles protect the closer seals and all hardware from excessive force.
- Self adhesive heavy duty mounting bracket
- High impact plastic covers standard
- Fits Sargent 250 & 1250 hole patterns
- Full Complement of Arm Types
- Heavy Duty Construction
- Separate, All Brass Low Sensitivity Adjusting Valves

1431 Series

POWERGLIDE Door Closer is designed to meet the opening force requirements established by the existing codes for the handicapped. Lighter spring power affords easier access. Not recommended where draft conditions exist. Provides sizes 1-4. Meets ANSI A117.1.

Full Rack and Pinion provides hydraulic control from full door opening.

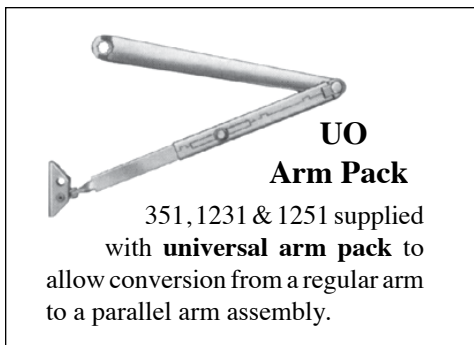
Key Control Adjustment. Separate regulating valves for door speed and latching speed.

Adjustable Backcheck protects door and hardware from damage in opening cycle. Backcheck is designed to start at approximately 70° door opening when standard mounting is used. (Not to be used as a positive stop)

Aluminum Alloy Case. Large bore in case provides noncritical regulation.

High Impact Noncorrosive Cover

DOOR CLOSERS

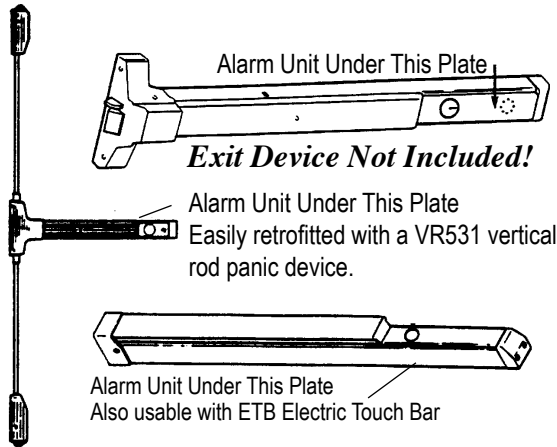
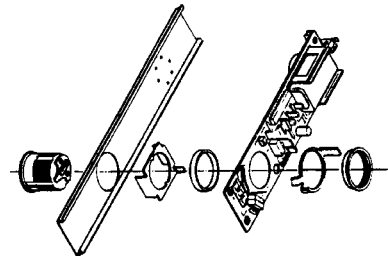


With Universal Arm Pack		Price
730-4070	351 UO EB Bronze Enamel	\$424.80
730-1040	351DA UO EN Aluminum Enamel DA: Delayed Action	459.60
730-4080	281 UO EB Bronze Enamel	374.40
730-4085	281 UO EN Aluminum Enamel	374.40
730-4090	1431 UO EB Bronze Enamel	361.20
730-1110	1431 UO EN Aluminum Enamel	361.20



**Self Contained
Battery Operated
Alarm Unit**

Now With Louder,
More Intense
Sounding Alarm!



Alarm Unit Under This Plate
Exit Device Not Included!

Alarm Unit Under This Plate
Easily retrofitted with a VR531 vertical
rod panic device.

Alarm Unit Under This Plate
Also usable with ETB Electric Touch Bar

Exit Alarms

**Fits all models of NSP ED500 Series
Touch Bar Exit Devices.**

The EAK500 Alarm Kit can be retrofitted to any 500 series panic device.

- Can be activated or deactivated via the mortise cylinder.
- Includes time delay feature when arming to permit exiting before unit is armed
- Can also be used the the ETB50 Touch-Bar Device.

Alarm Kit Complete with Key Cylinder:

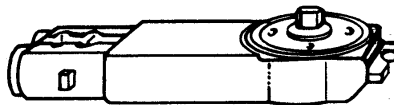
Order #	Item #	Catalog Price
844-0500	EAK500	\$105.90



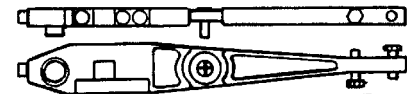
32 Series Overhead Concealed Closers



**Invisible Door Control.
Dependable and Easy to
Install**



UNIT BODY (only)



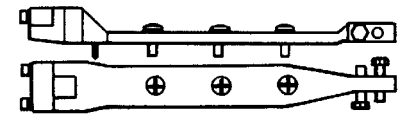
- Compact closer body is designed to fit into headers as small as 1-3/4" x 4".
- Closer body non-handed.
- Accommodates a maximum door weight of 250 lbs.
- Pressure relief valve protects closer from damage caused by forced closing.
- Mechanical backcheck slows down door prior to contact with positive stop.
- Closing speeds are controlled by two non-critical adjustment valves.
Sweep is from 105° to 20°. Latch is from 20° to 0°.
- Conforms to ANSI A156.4.
- Equal to USA Jackson No. 101

"S" Type Adjustable

Side Loading Top Arm Assembly. 1/2" depth top rail.

Order #	Item	Catalog Price
844-3020	A-32-S	\$29.16

**"A" Type
End Loading
Top Arm Assembly.**
1" Depth Top Rail



844-3030	A-32-A	\$29.16
----------	--------	----------------

Series 32 Unit Body in "M" (Medium) power, with 5/8" spindle. No hold open.

Order #	Item	Degrees	Cat. Price
844-3000	B-32	105°	\$138.60
844-3010	B-32	90°	138.60

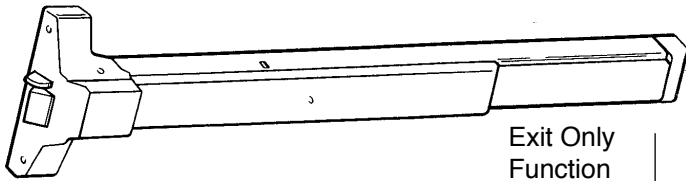
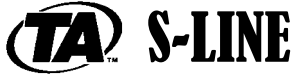
**Adjustable
Dual Purpose
Pivot Set (Standard)
Center Hung**



844-3040	P32-DP	\$26.00
----------	--------	----------------



Don't see what you are looking for? Give us a call: 800-282-2837.
Prices may not reflect recent price increases or manufacturer's surcharges.



Exit Only Function

TOUCH BAR EXIT DEVICE

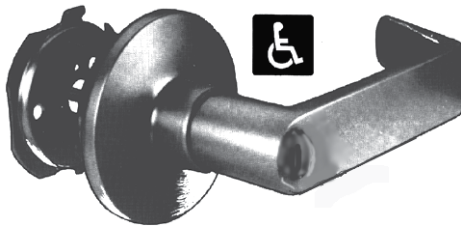
Rim Type Reversible.

Wrought Steel, Painted

Features:

- Meets template requirements #161 cylindrical lock prep.
- Deadlatching • Non-Handed
- Hex key dogging • Easy Installation
- Minimum working parts
- For all doors up to 36" wide

ORDER #	ITEM	FINISH	Price
844-0090	SOU-ED501	Aluminum	\$155.10
844-0095	SOU ED501	Duronodic	155.10

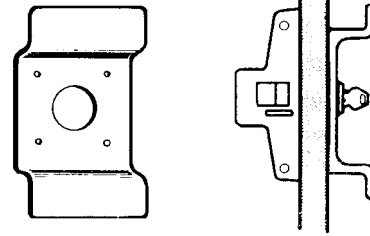


LHL500: Key Locking Trim for Rim Panic Exit Devices

LEVER HANDLE DESIGN

Standard key function for panic device. Can be set in locked or unlocked position. Cylinder locks or unlocks knob. When unlocked, knob retracts latch bolt. Usable on all brands, types and models of surface rim mounted panic exit devices, both hand handed and non-handed. 6-pin Schlage "C" keyway. 161 ANSI Cylindrical lockset prepped hollow steel doors, ANSI A115.2 and ANSI A115.3. ANSI Grade #1 type Handicapped Code Lever; complete with mounting plate and screws. 6-pin Schlage "C" keyway. 4-3/4" Lever.

844-0071	LHL 500-26D	Entry	\$91.26
844-0073	LHL 580 26D	Storeroom	101.26



Exit with Rim Cylinder & Pull Plate. (Cyl. not included).

Exterior Trim for Touch Bar Exit Devices

Pull Plate. Wrought Steel, Painted.

Use with above Device to add exterior keying (cylinder not included)

Pull Plate Only:

ORDER #	ITEM	FINISH	Cat.
844-0080	SOU-PP-05	Aluminum	\$13.14
844-0085	SOU-PP-05	Duronodic	12.62



Key Locking Trim; Order exit device above.

BLK500

Key Locking Trim for Rim Panic Exit Devices

Standard key function for panic device. Can be set in locked or unlocked position. Cylinder locks or unlocks knob. When unlocked, knob retracts latch bolt. Usable on all brands, types and models of surface rim mounted panic exit devices, both hand handed and non-handed. 6-pin Schlage "C" keyway. Ball Knob.

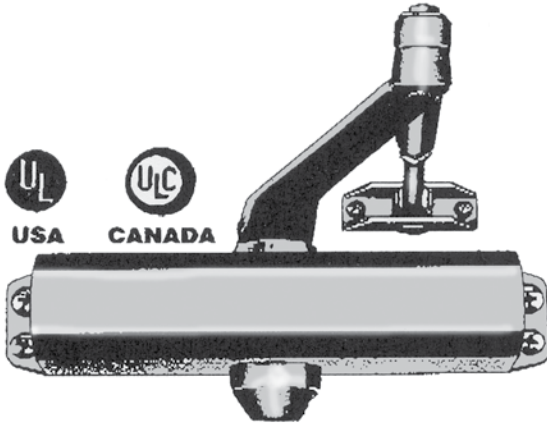
For 2-3/8" or 2-3/4" Backset

Knob Assembly only:

844-0070	BKL500-32D	Entry	\$60.08
844-0072	BLK580 32D	Storeroom	63.40



CX50 DOOR CLOSER
Deluxe • Trimline • Full Size Body
with 3 Regulating Valves



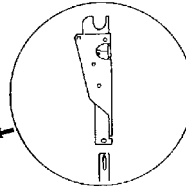
ANSI/BHMA A156.4-2000, Grade 2
Conforms to standard UL10C & UBC7.2-1997
The Best foreign mad Door Closer for use with Trimline
Aluminum Entrance Doors

Features

- Full rack and pinion for full control up to 180°
- High strength cast aluminum full size cases
- Reversible for RH and LH doors
- One piece heat treated spindle for added strength
- Heat treated high tensile steel compression springs
- Adjustable latching and closing speed via 2 non-critical regulating valves
- Fully adjustable back checking valve cushions door and prevents damage resulting from severe thrust of door from wind gusts or rough usage
- 3 position power adjustable mounting bracket offers 15% spring power adjustment

Aluminum Finish w/Trimline Cover, Parallel Arm Bracket and Sex bolts:

Order #	Item #	Size	Catalog Price
875-0050	CTP-DX53	3	\$71.62
875-0055	CTP-DX54	4	80.52



Vertical Rod Exit Device

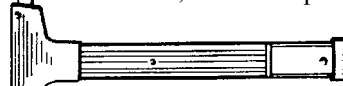


- Surface Mounted
- Reversible
- Rim Type

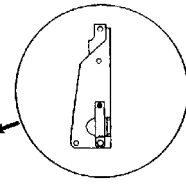
Touch Bar Model

#161 cutout

Exit only, for functions with outside operation or trim, order trim packs separately.



Easy Installation
Non-Handed
Aluminum Finish
For all doors up to 38" in width, 86" in height.



Order #	Item #
844-0190	VR531 Alum

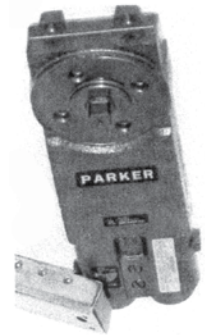
Cat. Price: \$266.94

S. PARKER HDWE



402105HO Overhead Concealed Closers

- 105 degree back stop with hold open at 105 degrees
- UL Listed, ANSI - A156.4, Dual valves
- 5 year manufacturer's warranty
- Opening force: 8-1/2 lbs
- Closing force: 4-3/4 lbs
- Fully adjustable



Overhead Concealed Door Closer

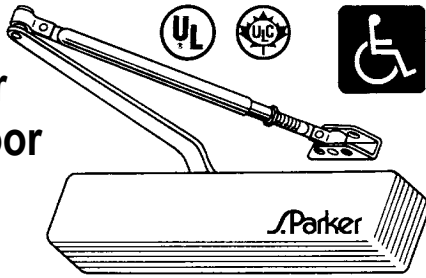
Order #	Item #	Catalog Price
650-0920	402105HO	\$152.46



Don't see what you are looking for? Give us a call: 800-282-2837.
Prices may not reflect recent price increases or manufacturer's surcharges.

S. Parker Hardware

Grade 1 Contractor Quality Door Closers



BF: Barrier Free models allow reductions in spring power so that door opening is easier for the disabled.

The **900BC** is a heavy duty spring adjustable closer. Adjustable from 1-6.

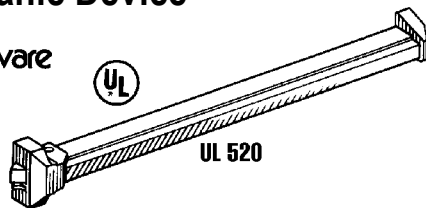
- All are non-handed.
- Needle bearings give smooth operation and long life.
- Two separate valves give adjustable closing & latching speeds.
- Delayed action uses an adjustable timing delay valve
- Comes with full cover to hide screws and spindles
- Packed with a parallel arm bracket
- Rack and pinion mechanism
- Corrosion resistant cover
- All with backcheck
- Allen Key adjustment

Grade 1, Power Adjustable with Parallel Arm Bracket and Full Cover

Order #	Item #	Cat. Price
650-3000	BF900AL US28 Adjustable 1/2-4, Meets 5 lb Force	\$122.26
650-3010	BF900DUR US695, As Above	122.26
650-3020	900BCAL US28, Adjustable 1-6	122.26
650-3030	900BCDUR US695, Adjustable 1-6	122.26

Rim Type Panic Device

S. Parker Hardware



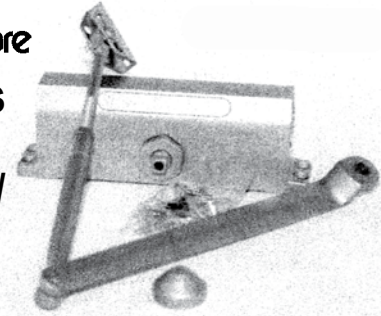
- Deadlatching
- Non-Handed

Horizontal reversible, rim type touch bar exit device, for doors 25" to 36". Can be used with a cylinder, keyed ball knob, or keyed lever, or a pull.

- Complete with rim strike latch, shim, fasteners, mounting templates and easy to follow instructions.

Order #	Item # /	Finish	Price
650-0520	UL520AL	Aluminum	\$174.88
650-0525	UL520DUR	Duranodic	174.88

S. Parker Hardware Door Closers



• 953 Medium/ Heavy Duty Closer UL

• 954 Heavy Duty Closer UL

2 Speed controls, UL & ULC tested
10 Year Manufacturer's Warranty

Order #	Item #	Catalog Price
650-0900	953AL	\$75.78
650-0905	953DUR	75.78
650-0910	954AL	80.98
650-0915	954DUR	80.98

STANLEY

STANLEY D4550 Series Stanley's best performing Heavy Duty Closer.



- Fully Hydraulic Checking
- Adjustable Spring Power
- Non-handed
- All Season Fluid
- Non-critical Regulation
- Maintenance Free
- Constructed of R14 High Silicon Aluminum Alloy to exceed the ANSI/BHMA A156.4 Grade 1 requirements
- Forged Arms & High Impact Cover
- Latching Power Adjustment
- Delayed Action
- SN: Sex nuts & bolts, wood & machine screws furnished

Closing Power Adjustment

D-4550 - Size 2-6 with 50% with spring power adjustment over size 6. Meets ADA 5 lb opening force requirements on all applications except Pull-Side Regular arm Mount. Pre-set to size 3.

D-4551 - Size 1-5 with 35% spring power adjustment over size 5. Meets ADA 5 lb opening force requirements. Pre-set to size 2.

Order #	Item #	Catalog Price
336-0001	D4550 x SN Alum	\$319.00
336-0002	D4551 x SN Alum	319.00



**900 Series
Heavy-Duty
Commercial
Grade 1
Surface Applied Closer**

- ANSI A156.4 Grade 1, 2 million cycles, UL listed
- Non-handed, cast steel, mounting to regular, top jamb or parallel arm
- Forged steel Main Arm. Accommodates reveals up to 3.25", adjustable extension arm
- Adjustable Spring Power from 1-6 sizes
- Adjustable hydraulic Backcheck, provides cushioning and prevents uncontrolled opening of the door
- Valves: Adjustable, independent, non-critical (sweep and latch), consistent closing speeds
- Fasteners: Compatible for aluminum, hollow metal and wood doors and frames
- Door Range: Up to 180 degrees
- Door Prep: 9-1/16" horizontal and 3/4" vertical mounting hole locations (retrofits traditional closer)
- Warranty: 25 year limited manufacturer's warranty

Order #	Item #	Cat. Price
864-0010	12916 BC PA AL	\$171.00

VON DUPRIN

GUARD-X

Von Duprin Guard-X



Complements existing Von Duprin Chexit®!

Heavy Duty Design

Provides secure protection through a large stainless steel deadbolt, which is 2" x 1/2" and has a 3/4" throw. The engagement mass into the strike is over 1-1/4" square inches. The cast aluminum latch case protects the internal mechanism and resists tampering or vandalism from inside the door. Six screws are used in mounting the GUARD-X securely to the door. This unit will withstand up to 1600 pounds of static load force. Can be operated from the building exterior or by a standard rim cylinder, so an authorized user can easily arm or disarm it to enter or exit the building when required.

Security

GUARD-X does not allow relatching or resetting the alarm after an unauthorized exit, other than by an authorized person with a key. A 100-decibel alarm provides a clear, attention-getting warning of an unauthorized exit or attempted exit. An audible low-battery alert signals the owner to replace the battery (standard 9 volt) when necessary. An optional external power supply allows it to be hardwired, eliminating the need to change batteries. The unit's battery then functions as a battery backup to operate the alarm if the power supply is interrupted or tampered with. An armed indicator light informs the owner that the alarm is armed.

Code Compliance

NFPA 101® Life Safety Code; UL305; for use on Emergency Exit applications; ANSI A156.3 Grade 1 Panic Hardware.

Exit Alarms

GUARD-X provides secure, alarmed code-compliant protection for emergency exits. Readily identifies the door as an emergency exit and secures the opening against unauthorized use.

Locks are priced complete with strike, fasteners, and signage.

Rim cylinders and sex bolts are not included.

Order #	Item #	Description	Price
915-2600	2670-US28	36" to 48" door	\$534.00
915-2605	2670-313AN	36" to 48" door	534.00
915-2610	SNB-US26D	Sex Bolts #325, pk of 6	54.00
915-2615	SNB-US10B	Sex Bolts #325, pk of 6	54.00

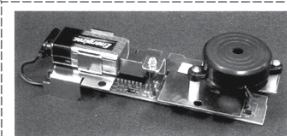
Von Duprin

2670 PCB

Replacement Kit

A Printed Circuit Board Replacement Kit is now available for field service on the 2670 Guard-X device. English

Order #	Item #	Catalog Price
915-2670	100018	\$270.00



Don't see what you are looking for? Give us a call: 800-282-2837.
Prices may not reflect recent price increases or manufacturer's surcharges.

VON DUPRIN

Von Duprin 22 Series Rim Devices



Type 22 Rim Devices

For all types of single and double doors with mullion; UL listed for accident hazard installations. Covers stock hollow metal doors with 161 cutouts.

Fits door stiles as narrow as 3-13/16". Device is furnished standard with #299 strike in dull black finish.

Features:

- Nonhanded
- Field sizable
- 3/4" throw latch bolt
- Latch bolt deadlocking
- Hex key dogging
- Exit Only (EO).

For other functions, order trim packs from those listed to the right.

Device is SP28, Sprayed aluminum finish.

Order #	Item #	Price
915-0122	VON 22EO	\$478.80

Parts for 22 Series Rim Device

#299 Black Strike

915-0011	030298	\$64.50
----------	--------	---------

End Cap & Bracket Assembly

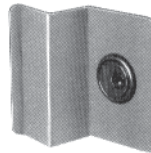
915-0014	900887	46.50
----------	--------	-------

Alarm Kit

for 22 Series Exit Device

915-0084	VON 22 ALK SP28	\$529.20
----------	-----------------	----------

Trim Packs. To convert 22EO Rim Device to other functions.



Key Retracts Latch Bolt.

Uses standard Rim Cylinder (not included)

ANSI Function: 03. Escutcheon Plate Size:

5-3/8" x 4-25/32" x 3/32"; 1-21/32" Projection

Order #	Item #-Finish	Cat. Price
915-0002	210NL-R-SP28	\$66.00



Key Unlocks Thumbpiece

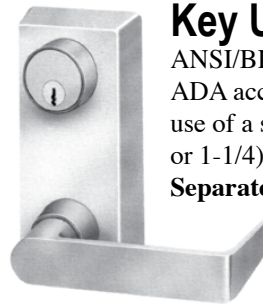
Uses standard Mortise Cylinder (not included)

ANSI Function: 05.

Escutcheon Plate Size:

3" x 12-1/16" x 3/32"; 2" Projection

Order #	Item #- Finish	Cat. Price
915-0004	230TP R SP28	\$249.60



Key Unlocks Lever

ANSI/BHMA 156.3-1993, Grade 1. Meets ADA accessibility standards. Requires the use of a standard mortise cylinder (1-1/8 or 1-1/4) Mortise Cylinder Ordered Separately, and features a rotating security collar for added protection. Easy field handing. Covers standard 161 cutout, fits door stiles as narrow as 3-13/16".

ANSI/BHMA 156.3-1993, Grade 1. Meets ADA accessibility standards. Requires the use of a standard mortise cylinder (1-1/8 or 1-1/4) Mortise Cylinder Ordered Separately, and features a rotating security collar for added protection. Easy field handing. Covers standard 161 cutout, fits door stiles as narrow as 3-13/16".

Order #	Item #- Finish	Price
915-0006	230L SP28	\$250.80

Key Unlocks Knob

Schlage "A" Orbit knob with six pin "C" keyway. Escutcheon Plate Size:

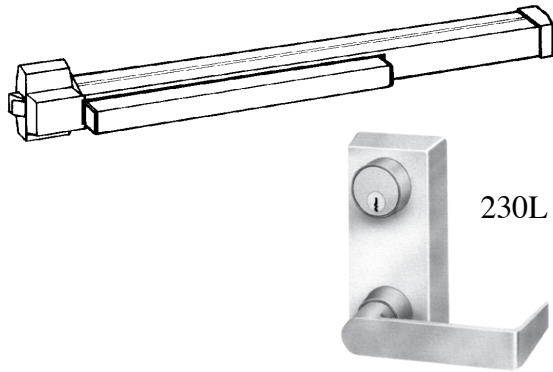
3" x 4-25/32" x 3/32"; Projection 2-5/8"



Order #	Item #- Finish	Price
915-0008	210K R SP28	\$255.60



VON DUPRIN



22 Rim Exit Device

(See page 4-29 of our 2009 catalog for more info)

#299 Strike, Exit Only, 3' length

- **SP313 Duro Finish.**
- **SP28 Aluminum Finish**

Outside Trim Sold Separately

Order #	Item #	Catalog Price
915-0124	22-EO-SP313	\$478.80
915-0126	22-EO-F-SP28 Fire Rated	608.40
915-0128	22-EO-F-SP313 Fire Rated	608.40

Outside Trim, Mortise cylinder not included

915-0007	230L-SP313 Trim Key unlocks lever.	\$250.80
----------	---------------------------------------	-----------------

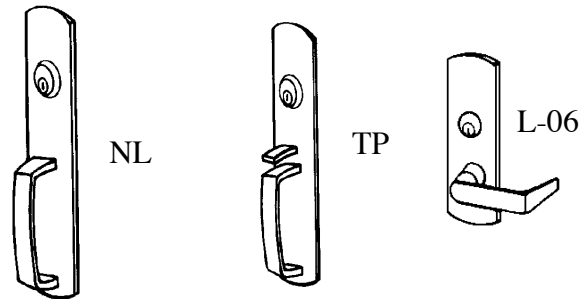
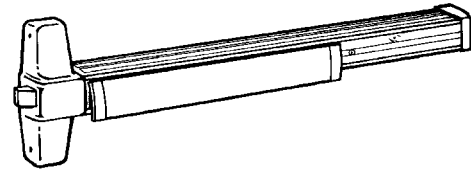
Misc Von Duprin Latch Kits

2227 Bottom latch kit less cover. After 1998

Order #	Item #	Catalog Price
915-3056	050401	\$129.00

2227 Top latch kit, less cover. After 1998

915-3057	050400	\$129.00
----------	--------	-----------------



99 Rim Exit Device

(See page 4-31 of our 2009 catalog for more info)

#299 Strike, Exit Only, 3' length,

- **313AN Duro Finish.**

Outside Trim Sold Separately

Order #	Item #	Catalog Price
915-0102	99-EO-313AN	\$1113.60

Outside Trim, All Less Cylinder

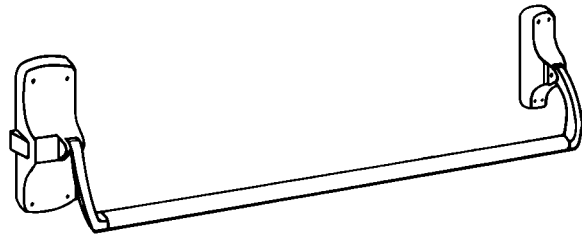
915-1021	990NL-R/V 313AN Key retracts latch bolt	\$235.20
915-1026	990TP-R/V 313AN Key unlocks thumb piece	315.60
915-1036	992L-06 R/V 313AN Key unlocks lever	507.60



Don't see what you are looking for? Give us a call: 800-282-2837.
Prices may not reflect recent price increases or manufacturer's surcharges.

VON DUPRIN

Von Duprin 88 Series Rim Devices



Type 88 Rim Device

88 rim devices and 8827 surface mounted vertical rod devices for all types of single and double doors with mullion, UL listed for accident hazard installations. Covers stock hollow metal doors with 86 or 161 cutouts. 8827 fits door stiles as narrow as 3-1/2"

Features:

- Fully reversible • Field sizeable • Hex key dogging
- 3/4" throw, latch bolt: 88 • Five popular finishes

Strike

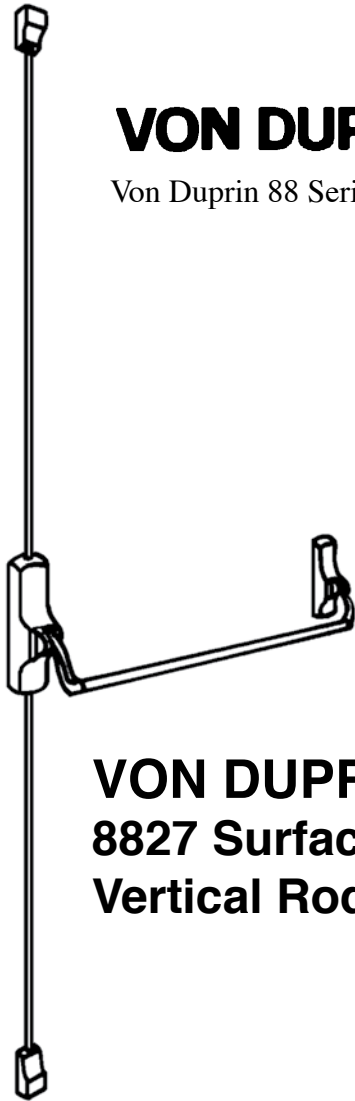
Device is furnished with standard 299 strike in dull black finish. Optional strikes and finishes must be specified.

88 Dimensions

Crossbar height to finished floor	36-13/16"
Crossbar projection: neutral	4-3/4"
depressed	4"
Crossbar length	36"
Lock stile case	8-1/4" x 2-3/4" x 15/16"
Hinge stile case	6" x 1-3/4" x 15/16"
Crossbar tubing	1"

8827 Dimensions

Crossbar height to finished floor	36-13/16"
Crossbar projection: neutral	4-7/8"
depressed	4"
Crossbar length	36"
Lock stile case	8-1/4" x 2" x 15/16"
Hinge stile case	6" x 1-3/4" x 15/16"
Crossbar tubing	1"
Top & bottom latch case	4" x 2" x 1-7/8"
Vertical Rod	1/2" tubing



**VON DUPRIN
8827 Surface Mounted
Vertical Rod Device**

88 Ordering Information:

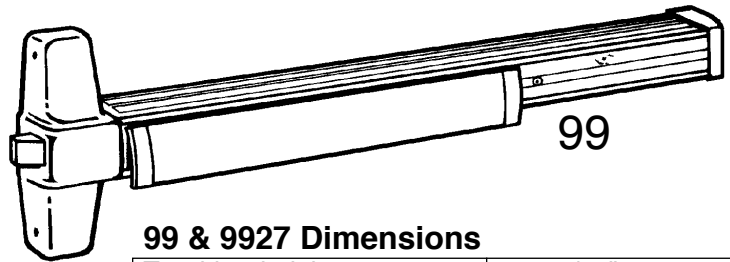
Order #	Item #	Function	Price
915-0288	88EO US26D	Exit Only	\$1234.80
915-0488	(U) 88NL US26D	Key retracts latch bolt	1479.60
915-0588	88TP US26D	Key locks thumbpiece	1486.80

8827 Ordering Information:

Order #	Item #	Function	Price
915-8827	8827EO 26D	Exit Only	\$1743.60
915-8527	8827TP 26D	Key locks thumbpiece	1995.60

VON DUPRIN

99 Rim Device & 9927
Surface Mounted
Vertical Rod Device



99 & 9927 Dimensions

Touchbar height to finished floor	39-13/16" at center
Touchbar projection- neutral depressed	3-13/16 3-1/16"
Center case	8" x 2-1/4" x 2-3/4"
Device length - Short 3'	2'6" to 3' door size
Long 4'	3'1" to 4' door size



Von Duprin 99 Series Surface Mounted

Strike

Device is furnished with standard 299 strike in dull black finish. Optional finishes are available by special order.

9927

Features:

- Nonhanded
- Field sizeable
- 99 has 3/4" throw deadlocking latch bolt
- 9927 has 5/8" throw deadlocking latch bolt
- Hex key dogging



EO: Exit Only

9927 Only:

Top & bottom latch case	4.5" x 2.125" x 1.5"
vertical rod	.500" square tubing

Series 99 and 9927 , modern touchbar styling for heavy traffic applications. Designed for use on flush and wide stile doors, and fits 86 and 161 stock hollow metal cutouts.

For all types of single doors and double doors with mullion, UL listed for accident hazard installations.

3 foot, EXIT ONLY:

Order #	Item #	Strike	PRICE
915-0299	99EO US28	288	\$1062.00
915-0099	99EO US26D	299	1202.40
915-0230	9927EO US28	299	1538.40
915-0100	9927EO US26D	299	1687.20

4 Foot, EXIT ONLY:

915-0098	99EO US26D	299	\$1226.40
----------	------------	-----	------------------

For functions other than Exit Only, simply add trim listed below and on the following page.

Von Duprin

Trim, Dummy Escutcheon, Satin Chrome Finish, No locking device, Handle Open Door, Nonhanded, Series 99

Dummy Trim for 99 Series

Order #	Item #	Catalog Price
915-1015	990DT - R/V 26D	\$212.40

Von Duprin
Rim Exit Device for 3 foot length,
with Electric Latch Retraction

Order #	Item #	Catalog Price
915-0300	EL99EO US28	\$1893.60
915-0301	EL99EO US26D	2034.00



Don't see what you are looking for? Give us a call: 800-282-2837.
Prices may not reflect recent price increases or manufacturer's surcharges.

Main Contents

Index- This Section

ORDER

VON DUPRIN



Quiet Electric Latch Retraction - QEL

The Von Duprin Quiet Electrified Latch exit device. Hospital nurseries and patient rooms, libraries, museums and theaters require electrified hardware that operates at whisper quiet levels. Compared to the competition, Von Duprin offers the quietest overall operation when operated mechanically and electrically.

- The quietest operation both mechanically and electrically
- On-board installation and trouble shooting diagnostics built into power supply and device
- Automatic calibration - adjusts automatically to installation variations
- Pushbar is pulled in electronically to give true electrical dogging functionality
- Retry mode if device does not pull on the first try
- Vandal resistant - detects and responds to vandals
- Built-in time delay

Specifications Compliance

- BHMA Certified to ANSI/BHMA A156.3 (2001) Grade 1 for Exit Devices
- UL and cUL Listed as "Panic Hardware" *UL305) and as "Fire Exit Hardware" (UL10C)

The QEL option does not include the power transfer from to to frame power supply, or control operator.

99EO: Exit only, 3 ft.

Order #	Item #	Catalog Price
915-0103	QEL-99-EO-US28	\$2043.60
915-0104	QEL-99-EO-US26D	2184.00

QEL Conversion Kit for 98/99 & 33a/35a

Convert Standard 3 ft. Device to Quiet Electrified Latch Function

915-0105	VON 050745	\$1026.18
----------	------------	------------------

Option Card for PS873 Power Supply

The PS873 power supply (915-2100) and the 871-2Q option card are required system components. (A single PS873 power supply will support up to 4 QEL devices)

915-0106	010898 871-2Q Card	\$255.80
----------	--------------------	-----------------

How Do You Buy Your Security Hardware? . . . One Stop Shopping, Anytime, Anyplace.

Southern Lock Makes It Easy:

If you're too busy during the day to devote time to restocking your shelves, do it whenever you like while sitting comfortably at your computer.



Browse our on-line catalog containing every item from our regular buying guide, and when you find exactly what you need, simply add that item to your shopping cart. You can request a quote, check on an order, or put together a quick list of items you use regularly. If you have an account number, you're practically ready to shop. If you do not, call our inside sales department and we will process one for you.

We take the extra steps to ensure you get the proper product to do the job right. That may take an extra minute or two, but that's what we do. Lots of companies sell the same merchandise, but we also provide personal, friendly service from representatives who know their stuff.

Our security products catalog is available three ways: Our standard paper catalog, the downloadable CD Version in PDF format from our web site, or use our web-based shopping cart. From simple door locks and hardware to state-of-the-art electronic access, we are here when you need us.

www.southernlock.com

99 Series Trim Packs and Function Conversion Kits

To convert 99 or 9927 functions, order appropriate trim pack.
Cylinders are not included.

Trim Packs

Key Retracts Latch Bolt.

Uses standard Rim Cylinder (not included)
ANSI Function: 03. Escutcheon Plate Size:
3" x 14-3/16" x 3/32"; 2" Projection

Order #	Item #-Finish	Price
915-1020	990NL-R/V-26D	\$228.00

Key Unlocks Thumbpiece

Uses standard Rim Cylinder (not included)
ANSI Function: 05. Escutcheon Plate Size:
3" x 14-3/16" x 3/32"; 2" Projection

915-1025	990TP-R/V-26D	\$303.60
----------	---------------	----------

Key Unlocks Knob

Uses standard Rim Cylinder (not included)
ANSI Function: 08. Escutcheon Plate Size:
2-5/8" x 10-5/8" x 3/4"; 3-3/4" Projection

915-1030	992K-R/V-26D	\$384.80
----------	--------------	----------

Key Unlocks Lever

Uses standard Rim Cylinder (not included)
ANSI Function: 08. Escutcheon Plate Size:
2-5/8" x 10-5/8" x 3/4"; Projection 2-3/4"

915-1035	992L-06-R/V-26D	\$511.20
----------	-----------------	----------

Key Retracts Latchbolt NL function (night latch)

Uses standard Rim Cylinder (not included)
Escutcheon Plate Size: same as above

915-1040	992L-NL-06-R/V-26D	\$399.60
----------	--------------------	----------

Breakaway Lever Trim

for 99 Series Exit Device. Internal clutch assembly prevents lever from breaking when excess force is applied. **\$564.00**

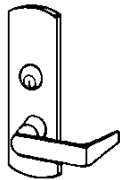
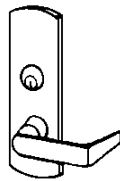
915-1101	994L-R&V US26D RHR	
----------	--------------------	--

Order trim from those listed above.
Cylinders are not included.

Glass Bead Kit

Aluminum. Glass bead conversion kit for use on doors with raised glass beads. Series 98/99

915-4010	99GBK R/M SP28	\$56.40
----------	----------------	---------



VON DUPRIN CHEXIT RIM DEVICE



Von Duprin Chexit Rim Device

CX99 Rim Device for all types of single doors and double doors with mullion, UL listed for accident hazard installations. Covers stock hollow metal doors with 86 or 161 cutouts.

- Non Handed
- Field sizeable
- 3/4" throw, deadlocking latch bolt
- Standard 299 strike.

Standard 1-1/4" mortise cylinder must be ordered separately.

Voltage - 24 VDC

.4 Ampere with 300 millisecond 16 ampere in-rush on arming
External Alarm Contact Rating - 24 VDC, 1 Ampere
Fire Alarm Input, External Inhibit Input, Door Position Input - setup for Normally Closed contacts.

Size 3' - for door sizes 2'10" to 3'.

Order #	Item #	Price
915-0250	VON CX-99-EO US26D 3'	\$2776.80

Misc. Parts for Von Duprin Exit Devices



Dog Keys: 10 per pack.

915-0010	VON-227 /090085	5/32"	\$61.50
915-0025	VON-222 /091080	7/32"	87.00

88 Series axle. \$129.00/ 10 pk.

915-0020	090082	
----------	--------	--



SEX BOLTS.

Order #	Item	Thread	Price
915-0030	425	10-24	\$22.50
915-0035	625A	12-24	22.50

MORE PARTS ON NEXT PAGE!

Other parts available by special order, please call for more information.



Don't see what you are looking for? Give us a call: 800-282-2837.
Prices may not reflect recent price increases or manufacturer's surcharges.

VON DUPRIN Parts

Consult Von Duprin Parts
Manual for exact requirements.

Order No.	Von Duprin No.	Price
915-0018	050157 992L Replacement Kit	\$45.00
915-0021	050071-US28 99C Case Cover Kit	127.50
915-0022	050237-00 6000 Series Sol. Kit 12VDC	114.00
915-0023	090081-89 88 Wedge Tite Screw Pkg. 10/pk	46.50
915-0024	090083-89 88 Dog Screw Pkg	64.50
915-0025	091080 222 Dog Key Pkg	87.00
915-0026	050439 -US26D Lever Arm Assy LH	166.50
915-0027	050438 -US26D Lever Arm Assy RH	166.50
915-0032	103865-00 88 Lever Arm Axle pkg	60.00
915-0043	050512 3327A 99 Top Vertical Rod - US 28	69.00
915-0044	1050514 3327A Bottom Vertical Rod - US 28	69.00
915-0047	112063 -US28 9927 Rod Guide Assy	46.50
915-0052	090020 88 Attaching Ring Wedge	11.26
915-0058	090092 Lever Control Spring RHR	14.26/pk4
915-0059	090091 Lever Control Spring LHR	14.26/pk4
915-0060	(U) 050500 88 Latch Tail Spring Rivet Kit	46.50
915-0064	050599 NL Cylinder Plate (967484)	14.26
915-0066	968201-89 210/310 Cyl. Retaining Cup	15.76
915-0067	050566-US28 98/9927/27F Latch Case Cover Kit	48.00
915-0070	050529 Control Link Pin Kit w/Retaining Ring	11.26
915-0073	299F US19 Standard Fire Strike, Black	84.00
915-0078	050251 RX/S1 Switch Kit	294.00
915-0079	050254 LX 3' Switch Kit	294.00
915-0081	ALK-99 US28 Alarm Kit for 99 Series	647.40

Order #	Item #	Description	Price
915-2610	SNB #325	Sex Bolts-US26D (6/pkg)	54.00
915-2615	SNB #325	Sex Bolts-US10B (6/pkg)	54.00
915-3042	050471	8827 PL Top Pullman Latch Kit Less Cover	121.50
915-3043	050472	8827 PL Bottom Pullman Latch Kit Less Cov	121.50
915-3044	050462	8827-F Top Latch Kit Less Cover (102676)	207.00
915-3045	050463	8827 F Bottom Latch Kit Less Cov (102681)	207.00
915-0028	050460	8827 LR Top Latch Kit Less Cover (101750)	181.50
915-0029	050461	8827 LR Bottom Latch Kit Less Cover (101751)	181.50
915-3046	050127 (U)	33/3527 Pullman Latch Case Less Cover	112.50
915-0037	050493	33/3547A Bottom Latch Kit (106780)	202.50
915-3047	050402	2227 PL Pullman Latch Kit Less Cover(108327)	129.00
915-3049	109324-00	9947 Latch Bracket	51.00
915-0041	050492	33/3547-A Top Latch Kit (109759)	235.50
915-3050	112063-03	(U) 9927 Rod Guide-US3	111.00
915-3051	112063-32	9927 Rod Guide-US32D	55.50
915-3052	112063689	9927 Rod Guide-SP26	46.50
915-3053	112063695	(U) 9927 Rod Guide-313AN	46.50
915-3054	050090-32	9927 Bottom Latch Replacement Kit	129.00
915-3055	050091-32	9927 Top Latch Replacement Kit	129.00
915-3059	966389	(U) 33/3527 Latch Case Base	37.50
915-3060	966391 -28	(U) 33/3527 Latch Case Cover-US28	58.50
915-3061	966391 -42	(U) 3327 Latch Cover-313AN	64.50
915-3064	050566 3	(U) 9927 Latch Cover - US3 (969506)	58.50
915-3065	050566 26D	(U) 9927 Latch Cover - US26D (969506)	60.00

^a top and bottom

Electrical Components

Order #	Item #	Description	Catalog Price
915-0075	050535	EL Solenoid/Plunger (112915)	\$315.00
915-3109	050534	EL Potted Circuit Breaker (110741)	261.00
915-0085	111795-00.	ALK PCB Assembly	459.00
915-0074	050228	CHEXIT Printed Circuit Board (112162)	1069.50

Von Duprin 2670 Cylinder Tailpiece Extension

Order #	Item #	Catalog Price
915-2765	050379	\$9.00

VON DUPRIN Parts

VON DUPRIN

Fasteners/Screw Packs

Order #	Item #	Description	Catalog Price
915-0042	(U) 109811-00.	99 Rod Adjusting Screw Pkg	\$15.00
915-0049	900850-32	22/33/99 Vertical Latch Case Cover Screw Pk.	11.26
915-3014	(U) 900369	99 R/M Security Screw Pack-S32D	57.00
915-3015	(U) 900371	9947 Security Screw Pack-US32C	58.50
915-3016	(U) 900310-32.	7500 Security Screw Pack-US32C	18.00
915-3017	(U) 900311-622.	575/4570/4690 Screw Pkg US19	18.00
915-3018	(U) 900312-00.	338 Security Screw Pack	18.00
915-3019	(U) 900313-00.	385A Security Screw Pack	13.50
915-3020	(U) 900325-622.	Surface App. Strk Screw Pk.-US19	21.00
915-3021	(U) 900334-32.	230/880/990 Screw Pkg-US32D	18.00
915-3022	(U) 900503-US26D.	88 Mounting Screw Pkg	12.76
915-3024	(U) 900561-00.	Rim Mounting Screw Pkg	11.26
915-3025	900563-00.	22/9927 Screw Pkg	11.26
915-0049	900850-32.	22/33/99 Latch Case Cover Screws	11.26
915-3027	900850-84.	22/9927 Latch Cover Screws - US4	11.26
915-3028	(U) 900850-85.	22/9927 Latch Cover Screws US4	11.26
915-3029	(U) 900850-86.	22/9927 Latch Cover Screws US10B	11.26
915-0050	900892-32.	99 Center Case Cover Screws	11.26
915-3030	900901-32.	End Cap Screw Pack-US32D	11.26

Centercase Parts

Order #	Item #	Description	Catalog Price
915-0030	#425 Sex Bolts, 10-24 thread, US32D (2/pkg)		\$22.50
915-3000	(U) 034302695.	#425 Sex Bolts 313AN (2/pkg)	22.50
915-3002	109012	22 Rim Center Case Less Cover	261.00
915-0045	050020	98/99 Rim Center Case Kit, Less Cover	399.00
915-3003	050072	26D 98/9927/27-F Center Case Cover Kit	181.50
915-3004	050073	26D 98/9947/47-F Center Case Cover	189.00
915-0072	090074	NL Drive Screw Pkg of 10 (970441)	15.76
915-3068	(U) 050546	Latch Case Mounting (971567) bracket for 2227/27-F, 98/9927/27-F	22.50
915-3069	050491 (112727)	Shock Absorber/Holder assy	24.00
915-3072	(U) 900905-US3	End Cap & Bracket Assy. for 98/99 Series	58.50
915-3074	050014-32	End Cap Impact Resistant Kit for 98/99 Series	90.00
915-3077	968601-00	End Cap for 22	15.76
915-3078	970548-00	Cover Plate Stop-End Cap	11.26
915-3079	090036 (970719)	Cover Plate Anti-Rattle Spring for 33/35 Series	11.26

Consult Von Duprin Parts Manual for exact requirements.

915-3080	(U) 971065-00	Touch Bar Guide Center Case for 98/99 (U) Available while supplies last	8.00
915-3083	968939-77	7500 Latchbolt Collar	21.00
915-3085	050003-US26D #03	Lever 992L RMV for 990 Series Trim	189.00
915-3086	050007-US26D #07	Lever 992L RMV US26D for 990 Series Trim	189.00
915-3087	050156-00	Tailpiece Guide Lead Kit 10/pk	15.00
915-3088	900894-00	230L Tailpiece Aux. Package	15.76
915-3089	(U) 963534-89	Set Screws 10-32 x 1/4 Socket Set Screw for 371 Controls	9.76
915-3090	964097-89	992L Retaining Ring	11.26
915-3091	050607 (966384)	370 Control Dogging Spring and Guide Kit	11.26
915-3092	050596 (968863)	370 LHR Backplate	17.26
915-3093	970138-89	880K Booster Torsion Spring	11.26
915-3094	971440-89	991/992 Hex Stud	11.26
915-3095	971573-00	Lift Spring 992L/994L	6.00
915-3096	050611 (971583)	Shear Pin for 992L	11.26
915-3097	100316-00	Top Plate Assy for 5547/47WDC	108.00
915-3098	050200	Conversion Kit for 8827CK-K/L-K/LF (1000511)	216.00
915-3099	(U) 050439	LH Lever Arm Kit US4 for 88 R/M/V	139.50
915-3104	050409	26D Rim Center Case Kit for 88EO/DT/NL	640.50
915-3105	107765	26D Plunger Release Bracket for 8827-F	63.00
915-3107	(U) 050277	8827 Latch Special Chassis Nut	11.26



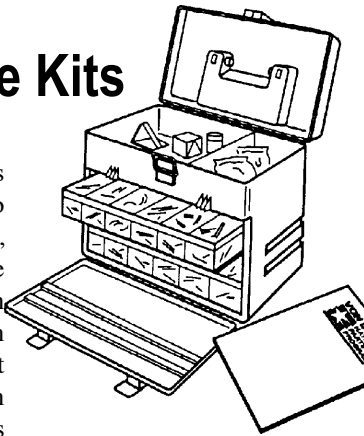
Don't see what you are looking for? Give us a call: 800-282-2837.
Prices may not reflect recent price increases or manufacturer's surcharges.

Consult Von Duprin Parts Manual for exact requirements

Order #	Item #	Description	Catalog Price
915-1045	996L-06-R/V 26D	99 Series Lever Trim	\$492.00
915-1050	996L-NL-06-R/V 26D	Nightlatch function 99 Series Lever Trim	\$384.00
915-0005	050070	Electric Latch Retraction Conversion Kit 3'	\$981.00

Von Duprin Maintenance Kits

Von Duprin exit devices are designed and built to withstand years of abuse, and proper maintenance will make them last even longer. The new Von Duprin Maintenance Kit makes it easy to maintain Von Duprin 98/99 series exit devices and trim, with 50 different items included.



Maintenance kits are a convenient way for end users to stock and carry common maintenance items needed at the jobsite, including fasteners, springs and retaining rings. Each kit contains a 45- page manual that explains the contents of the kit and shows the location of specific parts, as well as application information and maintenance instructions for all parts included in the kit. The manual also explains other basic maintenance tasks, such as lubrication.

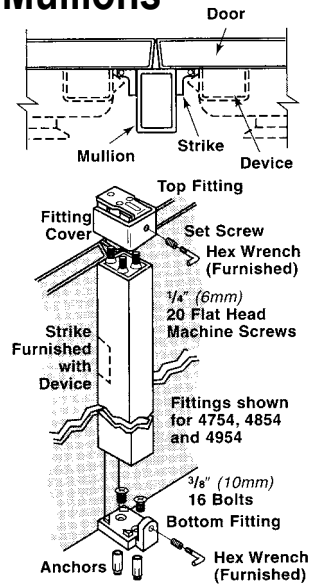
The kit incorporates three drawers with individual compartments, as well as a top storage compartment for larger assemblies and tools. While the kit empathizes the 98/99 Series devices, extra space is provided so end users can include parts that meet their specific needs, such as electrical components, crossbar parts or other application-specific items. Approximate overall dimensions are 15" tall x 15" wide x 9" deep.

Order #	Item #	Price
915-4000	050046-00	\$834.00

VON DUPRIN

Removable Steel Mullions

Mullions provide single door performance in double door openings with rim devices. Mullions are easily removed by loosening bottom set screws and removing top fitting cover.



The top mullion fitting is attached to the frame and is concealed by the fitting cover.

Standard Door Mullions 7' 2" Opening. STRIKES NOT INCLUDED

4954 - Prepared for two 299 strikes:

Order #	Item #	Catalog Price
915-2005	4954 SP28	\$537.60

Prepped for two 1606 strikes:

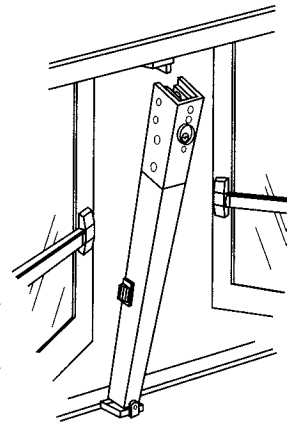
Order #	Item #	Catalog Price
915-2000	1654 SP28	\$501.60

VON DUPRIN

KR 54 Key Removable Kit

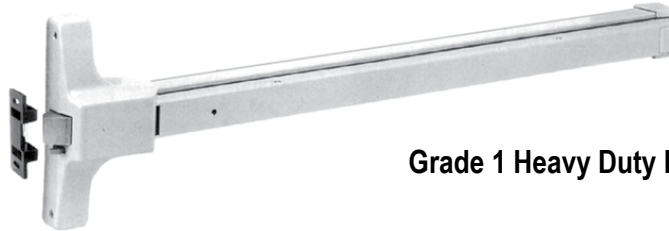
For 1654 & 4954 Mullions.

Makes removal faster and easier by a single operation of the mortise cylinder. Mullions provide single door performance and security on double door applications. Once the mullion is removed, large equipment or furniture can freely pass through the opening. The unit will self lock when re-installed without use of the cylinder key.



Order #	Item #	Catalog Price
915-2010	KR54	\$447.60

Yale



Grade 1 Heavy Duty Exit Device at a GREAT Price!

Yale 2100 Series Flatbar Exit Devices

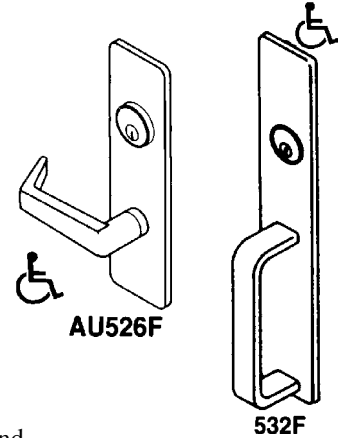
For metal or wood openings equipped with conventional single swing doors and frames.

Deadlocking stainless steel bolts, with pullman latch-bolts positively engaging roller strikes. A steel interlock maintains door-to-frame and door-to-mullion relationship in fire labeled devices. Strikes are metal, sealed with a bonded black powder coat.

36" Length. For openings 30" to 36"

Order #	Item #	Description	Price
755-2105	2100-36" SB	Exit Device	345.40
755-2115	532F 32D	Outside Trim	195.80
755-2120	AU526F 32D RHR	Outside Trim	407.00
755-2125	AU526F 32D LHR	Outside Trim	407.00

Yale



Outside Trim

Thru bolted to device and door. 1-3/4" door standard.

Cylinder: Rim (1109 6-pin standard).

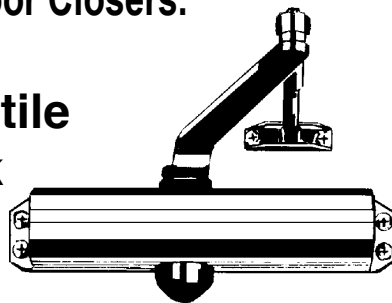
532F: Cylinder by Pull (NL). Escutcheon: 2-1/2" x 15-1/4" x 1/4". Pull: 6-7/16 O.C. " x 2-1/8"

526F: Escutcheon: 2-1/2" x 9-1/2" x 1/4". (Handed)

Yale 50 Series Door Closers.

Narrow Stile Full Rack & Pinion.

Last digit of Item number designates size. Ex: PA53 is a size 3 closer.



Closer packed with brackets for regular arm, top jamb or parallel arm installation.

Non-Handed.

Aluminum alloy shell.

Adjustable closing speed, adjustable latch speed.

All control valves are non-critical

1.8" hex-key operated.

Non-Hold-Open standard.

Order #	Item-Finish	hold open	Price
755-0212	PA53-SB	no	209.00
755-0213	PA54-SB	no	209.00
755-0214	PA55-SB	no	209.00



Don't see what you are looking for? Give us a call: 800-282-2837. Prices may not reflect recent price increases or manufacturer's surcharges.

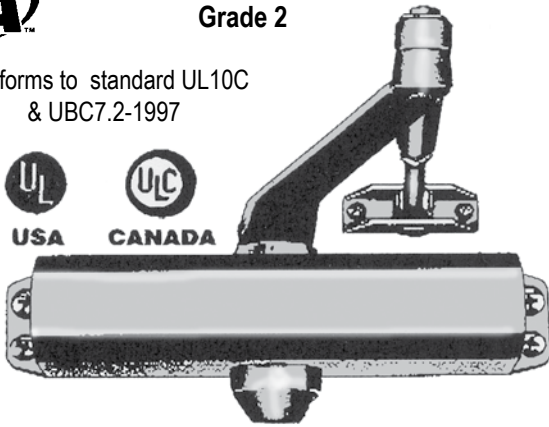
DX53 - DOOR CLOSER

• Ansi Grade 2 • Deluxe • Trimline • Full Size Body • With 3 Regulating Valves



ANSI/BHMA A156.4 - 2000
Grade 2

Conforms to standard UL10C
& UBC7.2-1997



FEATURES

- Full rack and pinion for full control up to 180°
- High strength cast aluminum full size cases
- Reversible for RH and LH doors
- One piece heat treated spindle for added strength
- Heat treated high tensile steel compression springs
- Adjustable latching and closing speed via 2 non-critical regulating valves
- Fully adjustable back checking valve cushions door and prevents damage resulting from severe thrust of door from wind gusts or rough usage
- 3 position power adjustable mounting bracket offers 15% spring power adjustment ($\pm 7.5\%$ from normal mounting position)

Any commercial door, especially exterior doors, demand a rugged, trouble-free efficiently operating door closer with proper full door closing power - and with all parts large enough to carry the workload. Here is that Door Closer.

10- Year Warranty Against any Mechanical or Construction Defects

The BEST foreign made Door Closer for use with Trimline Aluminum Entrance Doors

Code #	Description	Dealer Price
DX53RA	DX53 Regular Arm Aluminum Closer	\$22.95

70 - DOOR CLOSER

• Ansi Grade 1 • Deluxe Multi Size • Architectural Series

Adjustable Sizes 1 thru 5 • Adjustable Back-checking • Delayed Closing Action

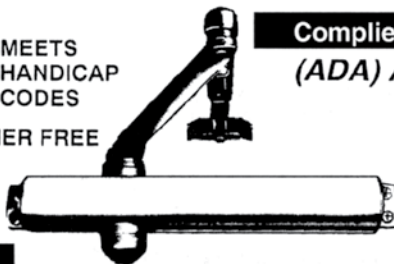


Tri-Packed for Regular, Parallel, and Top-Jamb Installation
All 70 Series Closers Supplied Complete with Full Cover and PA Bracket



MEETS
HANDICAP
CODES

(BF) BARRIER FREE

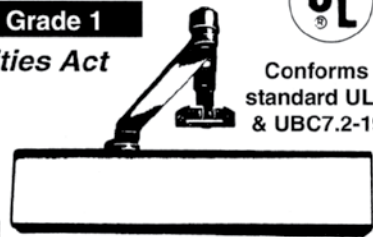


Complies ANSI/BHMA A156.4-2000 Grade 1
(ADA) Americans With Disabilities Act

**25 YEAR
WARRANTY**



Conforms to
standard UL10C
& UBC7.2-1997



FINISHES:

- ALUMINUM
- DURONODIC
- SATIN GOLD BRONZE
- US3 POLISHED BRASS
- US26 POLISHED CHROME
- US4 SATIN BRASS

CROSS REFERENCE:

- | | | | |
|-----------|-----------|-----------|------|
| • LCN | 4040 | • CORBIN | 120 |
| • NORTON | 8301/8501 | • RUSSWIN | 2820 |
| • YALE | 3301/3501 | • DORMA | 7600 |
| • SARGENT | 1230 | • DORMA | 4600 |

Code #	Description	Dealer Price
70D-BC	70DUR ADI SPR Closer W/BC/Cover 70D-BC	\$41.07

TA TRANS-ATLANTIC CO.

Where Do You Buy Your Security Hardware?

Pricing is important. . . but so is service.

**And getting the extra help you need to solve a perplexing problem,
what is that worth?**

Suppose you needed an outside rep to walk through a large job with you and figure exactly what it would take to secure all the doors?

Is that worth something? Product knowledge, that's important as well.

At Southern Lock, we take the extra steps to ensure you get the proper product to do the job right. Lots of companies sell the same merchandise, but our knowledgeable staff of sales representatives also provides the personal, friendly service you deserve.

Benefits for Our Customers

- Knowledgeable, Friendly Sales Staff
- Assigned Outside and Inside Sales People
- Education
- Job Specification and Product Consultation
- Specialized Sales Departments
- Information Web Site
- Instant Order Tracking
- On-line Ordering via Shopping Cart
Order at your convenience, view your statements on line, and lots more.
- Yearly Product Catalog
CD Version available by mail or on-line
- Same Day Shipping
- Multiple Warehouse Locations Throughout the South East
- 200 Manufacturers and 30,000 line items represented
- Facilities, Operations, Housing, Security, and Site Management Consulting
- Develop, Manage, and Maintain Key Systems



SOUTHERN LOCK

Southern Lock & Supply Co.

10910 Endeavor Way, Pinellas Park, FL 33777
Mail: P.O. Box 1980, Pinellas Park, FL 33780

www.southernlock.com

E-mail: sales@southernlock.com

Toll Free

- Largo, FL: 800-282-2837
 - Atlanta, GA: 877-217-9396
 - Charlotte, NC: 888-571-9145
 - Pompano Beach, FL
- Se Habla Espanol: 888-780-6071

SHDA



**SOUTHERN
LOCK**

Don't see what you are looking for? Give us a call: 800-282-2837.
Prices may not reflect recent price increases or manufacturer's surcharges.

4 - 43

[Main Contents](#)

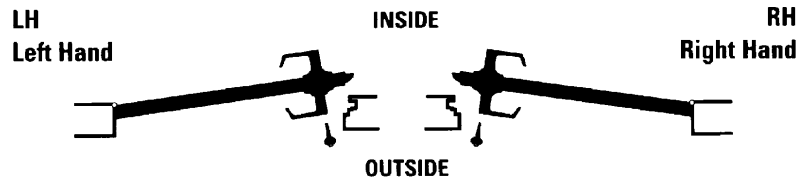
[Index- This Section](#)

[ORDER](#)

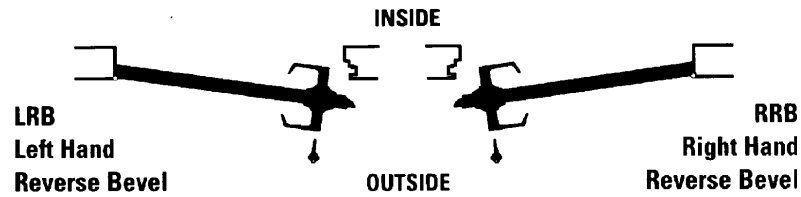
DOOR HANDING

Hand information is necessary on some items to ensure proper finish of latchbolt and strike. Follow the diagram to correctly determine the hand of the door.

NOTE: Exit Devices will only be RHR or LHR.



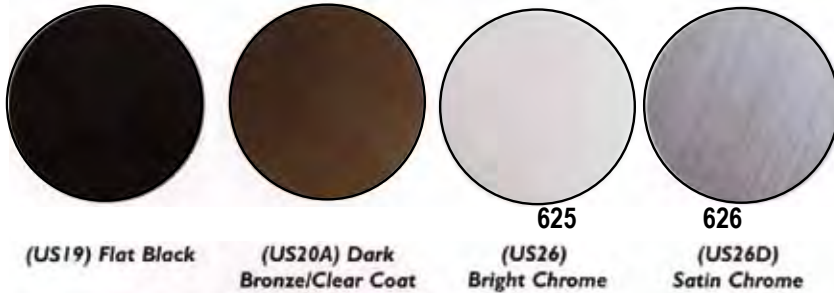
DOOR HANDING



605 (US03) Bright Brass 5E PVD Anti-tarnish 606 (US04) Satin Brass 609 (US5) Antique Brass 611 (US9) Bright Bronze



612 (US10) Satin Bronze 613 (US10B) Dark Bronze Oil Rubbed 618 (US14) Bright Nickel 619 (US15) Satin Nickel 620 (US15A) Antique Nickel



(US19) Flat Black (US20A) Dark Bronze/Clear Coat 625 (US26) Bright Chrome 626 (US26D) Satin Chrome

FINISHES

NOTE: Product appearance may differ from this chart as a result of the differences in plated versus printed materials, and differences in monitors.

Finish numbers in the 600 Series are the BHMA industry standards. The nearest old U.S. equivalent code designations are shown in parentheses.

- 616 (US11) Satin Bronze, Blackened Satin relieved, clear coated. Also Antique Bronze
- 618 (US14) Bright Nickel Plated Clear coated
- 619 (US15) Satin Nickel Plated Clear coated

- 605 (US3) Bright Polished Brass, Clear coated
- 606 (US4) Satin Brass, Clear coated
- 609 (US5) Satin Brass, Blackened Satin relieved, clear coated. Also Antique Brass
- 610 (US7) Bright Brass, Blackened Bright relieved, clear coated
- 611 (US9) Bright Bronze, Clear coated
- 612 (US10) Satin Bronze, Clear coated
- 613 (US10B) Oil Rubbed Bronze, Oxidized satin bronze, oil rubbed, no coating
- 620 (US15A) Satin Nickel Plated Blackened, oxidized, satin relieved, clear coated, Also Antique Nickel
- 621 (US17A) Simulated Old Iron Nickel plated, blackened, matte relieved, clear coated
- 625 (US26) Bright Chromium Plated, No coating. Polished Chrome
- 626 (US26D) Satin Chromium Plated, No coating
- 629 (US32) Bright Stainless Steel, No coating
- 630 (US32D) Satin Stainless Steel, No coating

Don't see what you are looking for? Give us a call: 800-282-2837. Prices may not reflect recent price increases or manufacturer's surcharges.