

PND-A9081RV

4K Network AI IR Dome Camera



Key Features

- Max. 4K resolution
- 0.05Lux@F1.6 (Color), 0Lux (B/W, IR LED on)
- Day & Night(ICR), WDR(120dB)
- H.265, H.264, MJPEG codec, WiseStreamII
- Video Analytics based on AI
 - Object detection and classification(Person, Face, Vehicle, License Plate)
 - Attribute, BestShot
- Compatible with Wisenet Retail Insight v2.0 for Business Intelligence
 - Age/gender based People counting
 - Heatmap
 - Queue management
- Modular structure for easy installation

| | |
|-----------------------------|---|
| Video | |
| Imaging Device | 1/1.8" 8MP CMOS |
| Effective Pixels | 3864(H)x2180(V) |
| Min. Illumination | Color: 0.05Lux(F1.6, 1/30sec) BW: 0Lux(IR LED on) |
| Video Out | CVBS: 1.0 Vp-p / 75Ω composite, 720x480(N), 720x576(P) for installation USB: Micro USB Type B, 1280x720 for installation |
| Lens | |
| Focal Length (Zoom Ratio) | 4.5~10mm(2.2x) motorized varifocal |
| Max. Aperture Ratio | F1.6(Wide)~F2.65(Tele) |
| Angular Field of View | H:101.4°(Wide)~45.5°(Tele) / V:53.6°(Wide)~25.5°(Tele) / D:120.7°(Wide)~52.3°(Tele) |
| Min. Object Distance | 0.5m(1.64ft) |
| Focus Control | Simple focus |
| Lens Type | DC auto iris, P iris |
| Pan / Tilt / Rotate | |
| Pan / Tilt / Rotate Range | 0°~360° / -45°~85° / 0°~355° |
| Operational | |
| IR Viewable Length | 30m(98.42ft) |
| Camera Title | Off / On (Up to 85 characters) |
| Day & Night | Auto(ICR) |
| Backlight Compensation | BLC, WDR, SSSDR |
| Wide Dynamic Range | 120dB |
| Digital Noise Reduction | SSNRV |
| Digital Image Stabilization | Support(built-in gyro sensor) |
| Motion Detection | 8ea, polygonal zones |
| Privacy Masking | 6ea, rectangle zones - Color: Grey/Green/Red/Blue/Black/White |
| Gain Control | Low / Middle / High |
| White Balance | ATW / AWC / Manual / Indoor / Outdoor |
| LDC | Support |
| Electronic Shutter Speed | Minimum / Maximum / Anti flicker (1/5~1/12,000sec) |
| Video Rotation | Flip, Mirror, Hallway view(90°/270°) |
| Analytics | - Classified object type : Person/Face/Vehicle/License plate with attributes, BestShot per object - Analytics events based on AI engine : Object detection, Directional detection, Digital auto tracking, Enter/Exit, Loitering, Virtual line - Analytics events : Defocus detection, Motion detection, Appear/Disappear, Tampering, Audio detection, Sound classification, Shock detection |
| Business Intelligence | People counting, Queue management, Heatmap based on AI engine |
| Alarm I/O | Input 1ea / Output 1ea / DC 12V Power(Max. 50mA) 1ea |
| Alarm Triggers | Analytics, Network disconnect, Alarm input |

| | |
|-----------------------------------|---|
| Alarm Events | File upload via FTP and e-mail Notification via e-mail SD/SDHC/SDXC or NAS recording at event triggers Alarm output Handover |
| Audio In | Selectable(mic in/line in/built-in mic) Supply voltage: 2.5VDC(4mA), Input impedance: 2K Ohm |
| Audio Out | Line out, Max.output level: 1Vrms |
| Network | |
| Ethernet | RJ-45(10/100/1000BASE-T) |
| Video Compression | H.265/H.264: Main/High, MJPEG |
| Resolution | 3840x2160, 3072x1728, 2592x1944, 2688x1520, 2560x1440, 2048x1536, 1920x1080, 1600x1200, 1280x1024,1280x960, 1280x720, 1024x768, 800 x 600, 800 x 448, 720 x 576, 720x480, 640x480, 640x360 |
| Max. Framerate | H.265/H.264: Max. 30fps/25fps(60Hz/50Hz) MJPEG: Max. 15fps/12fps(60Hz/50Hz) |
| Smart Codec | Manual(5ea area), WiseStreamII |
| Bitrate Control | H.264/H.265: CBR or VBR MJPEG: VBR |
| Streaming | Unicast(20 users) / Multicast Multiple streaming(Up to 3 profiles) |
| Audio Compression | G.711 u-law /G.726 Selectable G.726(ADPCM) 8KHz, G.711 8KHz G.726: 16Kbps, 24Kbps, 32Kbps, 40Kbps AAC-LC: 48Kbps at 16KHz |
| Protocol | IPv4, IPv6, TCP/IP, UDP/IP, RTP(UDP), RTP(TCP), RTCP,RTSP, NTP, HTTP, HTTPS, SSL/TLS, DHCP, FTP, SMTP, ICMP, IGMP, SNMPv1/v2c/v3(MIB-2), ARP, DNS, DDNS, QoS, UPnP, Bonjour, LLDP, SRTP (TCP, UDP Unicast) |
| Security | HTTPS(SSL) Login Authentication Digest Login Authentication IP Address Filtering User access log 802.1X Authentication(EAP-TLS, EAP-LEAP) Device Certificate(Hanwha Techwin Root CA) |
| Edge Storage | Micro SD/SDHC/SDXC 2slots 512GB |
| Application Programming Interface | ONVIF Profile S/G/T SUNAPI(HTTP API) Wisenet open platform |
| Web Viewer | Supported OS: Windows 8.1, 10, Mac OS X 10.12, 10.13, 10.14 Recommended Browser: Google Chrome Supported Browser : MS Explore11, MS Edge, Mozilla Firefox(Window 64bit only), Apple Safari(Mac OS X only) |
| Memory | 4096MB RAM, 512MB Flash |
| Environmental | |
| Operating Temperature / Humidity | -25°C ~ +50°C (-13°F ~ +122°F) / Less than 90% RH |
| Storage Temperature / Humidity | -50°C ~ +60°C(-58°F ~ +140°F) / Less than 90% RH |
| Certification | IP52, IK10 |
| Electrical | |
| Input Voltage | PoE+(IEEE802.3at), 12VDC |
| Power Consumption | PoE+: Max 20.00W, typical 16.00W 12VDC: Max 17.70W, typical 14.00W |

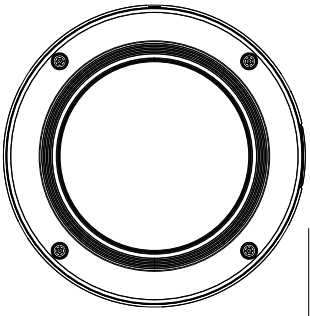
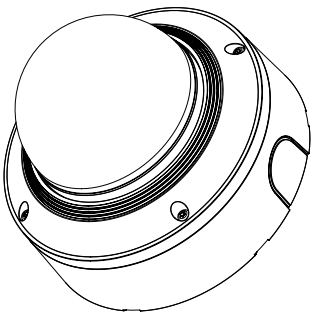
Mechanical

| | |
|-----------------------------|---|
| Color / Material | White / Aluminum |
| RAL Code | RAL9003 |
| Product dimensions / weight | Ø160x125mm(6.30x4.92"), Weight : 1.60Kg (3.53lb). |

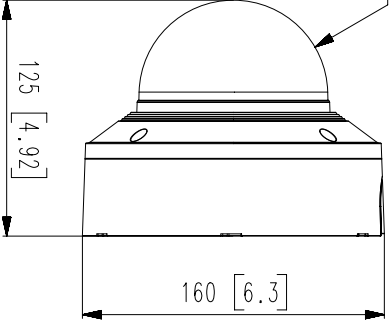
DORI

| | |
|---------------------------|--|
| Detect (25PPM/ 8PPF) | Wide: 62.9m(206.34ft) / Tele: 183m(600.33ft) |
| Observe (63PPM/ 19PPF) | Wide: 25.1m(82.34ft) / Tele: 73.3m(240.46ft) |
| Recognize (125PPM/ 38PPF) | Wide: 12.6m(41.33ft) / Tele: 36.6m(120.07ft) |
| Identify (250PPM/ 76PPF) | Wide: 6.3m(20.67ft) / Tele: 18.3m(60.03ft) |

- The latest product information / specification can be found at hanwha-security.com
- Design and specifications are subject to change without notice.
- Wisenet is the proprietary brand of **Hanwha Techwin**, formerly known as Samsung Techwin.

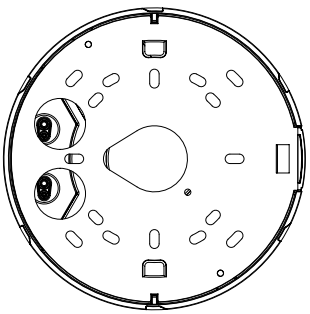


∅ 100 [3.94]

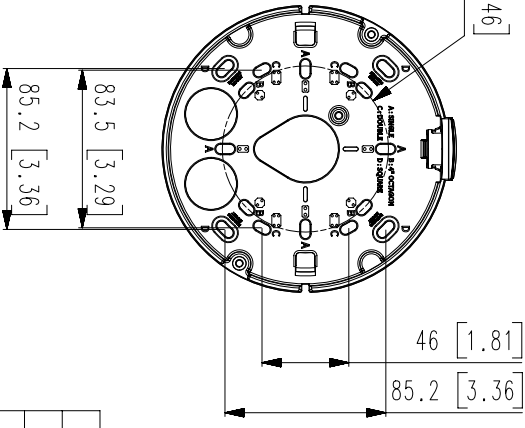


125 [4.92]

160 [6.3]



∅ 88 [3.46]



46 [1.81]

85.2 [3.36]

83.5 [3.29]

85.2 [3.36]

| | | |
|-----|-------------|----------|
| 16 | | |
| 15 | | |
| 14 | | |
| 13 | XND-9082RV | 19.12. |
| 12 | XND-7082RV | 19.12. |
| 11 | XND-6082RV | 19.12. |
| 10 | PND-A7081RV | 19.12. |
| 9 | PND-A6081RV | 19.12. |
| 8 | XND-8081REV | 19.12. |
| 7 | XND-6081REV | 19.12.18 |
| 6 | PND-A9081R | 19.09.27 |
| 5 | XND-8081RV | 19.09.27 |
| 4 | XND-6081RV | 19.09.27 |
| 3 | XND-6081V | 19.09.27 |
| 2 | XND-8081VZ | 19.09.27 |
| 1 | XND-6081VZ | 19.09.27 |
| No. | MODEL NAME | DATE |

Unit: mm [inch] SCALE: 1/1 Hanwha Techwin

© Hanwha Techwin Co., Ltd. All rights reserved.